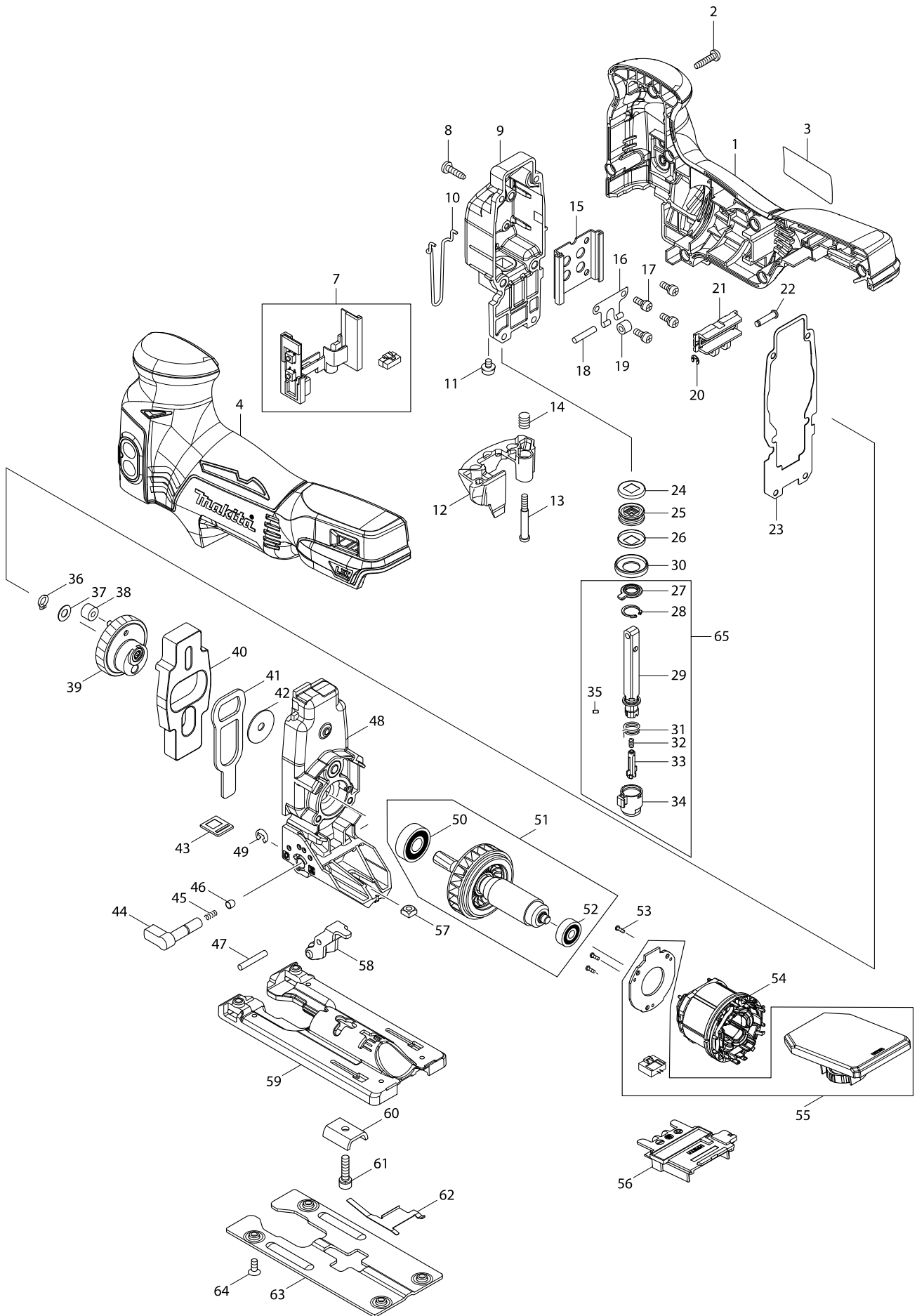


Model No. DJV181 CORDLESS JIG SAW



Model No. DJV181 CORDLESS JIG SAW

Item	Parts No.	Description	I/C	Qty	N/O	Purch.	Note
001	187704-2	HOUSING SET		1			
C10	263005-3	RUBBER PIN 6		2			
C20	801V48-5	SWITCH LABEL		2			
D10		INC. 4					
002	265995-6	TAPPING SCREW 4X18		7			
003	814S24-2	DJV181 NAME PLATE		1			
004	187704-2	HOUSING SET		1			
C10	263005-3	RUBBER PIN 6		2			
C20	801V48-5	SWITCH LABEL		2			
D10		INC. 1					
007	632A96-5	SWITH UNIT		1			
008	266034-5	TAPPING SCREW CT 4X16		4			
009	142112-4	GEAR HOUSING COVER COMPLETE		1			
010	326302-9	SAFETY WIRE		1			
011	911104-2	PAN HEAD SCREW M4X6		1			
012	454483-0	TOOL OPENER		1			
013	265026-1	+ PAN HEAD SCREW M4		1			
014	231659-4	TORSION SPRING 6		1			
015	346687-7	LINEAR GUIDE		1			
016	232207-2	LEAF SPRING		1			
017	911111-5	PAN HEAD SCREW M4X10		4			
018	256117-9	PIN 4		1			
019	214031-5	PLANE BEARING 4		1			
020	961017-7	STOP RING E-3		1			
021	310548-7	SLIDER		1			
022	268090-1	PIN 4		1			
023	442195-7	GASKET		1			
024	267854-0	CAP WASHER 8		1			
025	421815-6	DUST SEAL 8		1			
026	267854-0	CAP WASHER 8		1			
027	424569-4	DUST COVER		1			
028	962063-3	RETAINING RING R-13		1			
029	165724-6	ROD		1			
030	257347-5	RING 21		1			
031	233591-8	TORSION SPRING 10		1			
032	233314-4	COMPRESSION SPRING 4		1			
033	310485-5	LOCK PIN		1			
034	310547-9	BLADE HOLDER		1			
035	256528-8	PIN 2		1			
036	961002-0	RETAINING RING S-6		1			
037	253715-0	FLAT WASHER 6		1			
038A	212014-9	NEEDLE BEARING 407		1	*		
038B	212014-9	NEEDLE BEARING 407		1	*		
038C	212014-9	NEEDLE BEARING 407		1	*		
038-1A	212092-9	NEEDLE BEARING 407	O	1			
038-1B	212092-9	NEEDLE BEARING 407	O	1			
038-1C	212092-9	NEEDLE BEARING 407	O	1			
038-1D	212092-9	NEEDLE BEARING 407		1			

Item	Parts No.	Description	I/C	Qty	N/O	Purch.	Note
039	142109-3	GEAR COMPLETE		1			
040	313260-8	BALANCE PLATE		1			
041	346688-5	PUSH PLATE		1			
042	253196-8	FLAT WASHER 6		1			
043	454484-8	SEAL PLATE		1			
044A	272244-4	LEVER 17		1	*		
044B	272244-4	LEVER 17		1	*		
044C	272244-4	LEVER 17		1	*		
044-1A	272280-0	LEVER 17	<	1			
044-1B	272280-0	LEVER 17	<	1			
044-1C	272280-0	LEVER 17	<	1			
044-1D	272280-0	LEVER 17		1			
045	233139-6	COMPRESSION SPRING 3		1			
046	286032-3	CAP 5		1			
047	268063-4	PIN 4		1			
048	142111-6	GEAR HOUSING COMPLETE		1			
049	961018-5	STOP RING E-5		1			
050	210059-1	BALL BEARING 6000DDW		1			
051	519329-8	ROTOR ASS'Y		1			
D10		INC. 50,52					
052	210022-4	BALL BEARING 626DDW		1			
053	266490-9	TAPPING SCREW PT 2X6		3			
054	629996-2	STATOR		1			
055	620214-1	CONTROLLER		1			
056	643899-6	TERMINAL		1			
057	252171-1	SQUARE NUT M5-8		1			
058	142110-8	RETAINER COMPLETE		1			
059	319016-7	BASE		1			
060	345237-5	CRANK PLATE		1			
061	922231-0	HEX. SOCKET HEAD BOLT M5X20		1			
062	232208-0	LEAF SPRING		1			
063	346685-1	BASE PLATE		1			
064	265085-5	+ COUNTERSUNK HEAD SCREW M4X		4			
065	135602-4	ROD ASS'Y		1			
D10		INC. 27-29,31-35					
A01	126331-0	DUST NOZZLE ASSEMBLY		1			
A02	415524-7	ANTI-SPLINTERING DEVICE		1			
A03	417852-6	COVER PLATE		1			
A04	A-85737	JIGSAW BLADE NO.B22		1			
A05	A-85628	JIGSAW BLADE NO.B10		1			
A06	A-85793	JIGSAW BLADE NO.BR13		1			
A07	783202-0	HEX. WRENCH 4		1			
A08B	821551-8	CONNECTOR PLASTIC CASE (TYPE3)		1			
C10	453974-8	LATCH		4			
A08C	821551-8	CONNECTOR PLASTIC CASE (TYPE3)		1			
C10	453974-8	LATCH		4			
A08D	821551-8	CONNECTOR PLASTIC CASE (TYPE3)		1			
C10	453974-8	LATCH		4			

