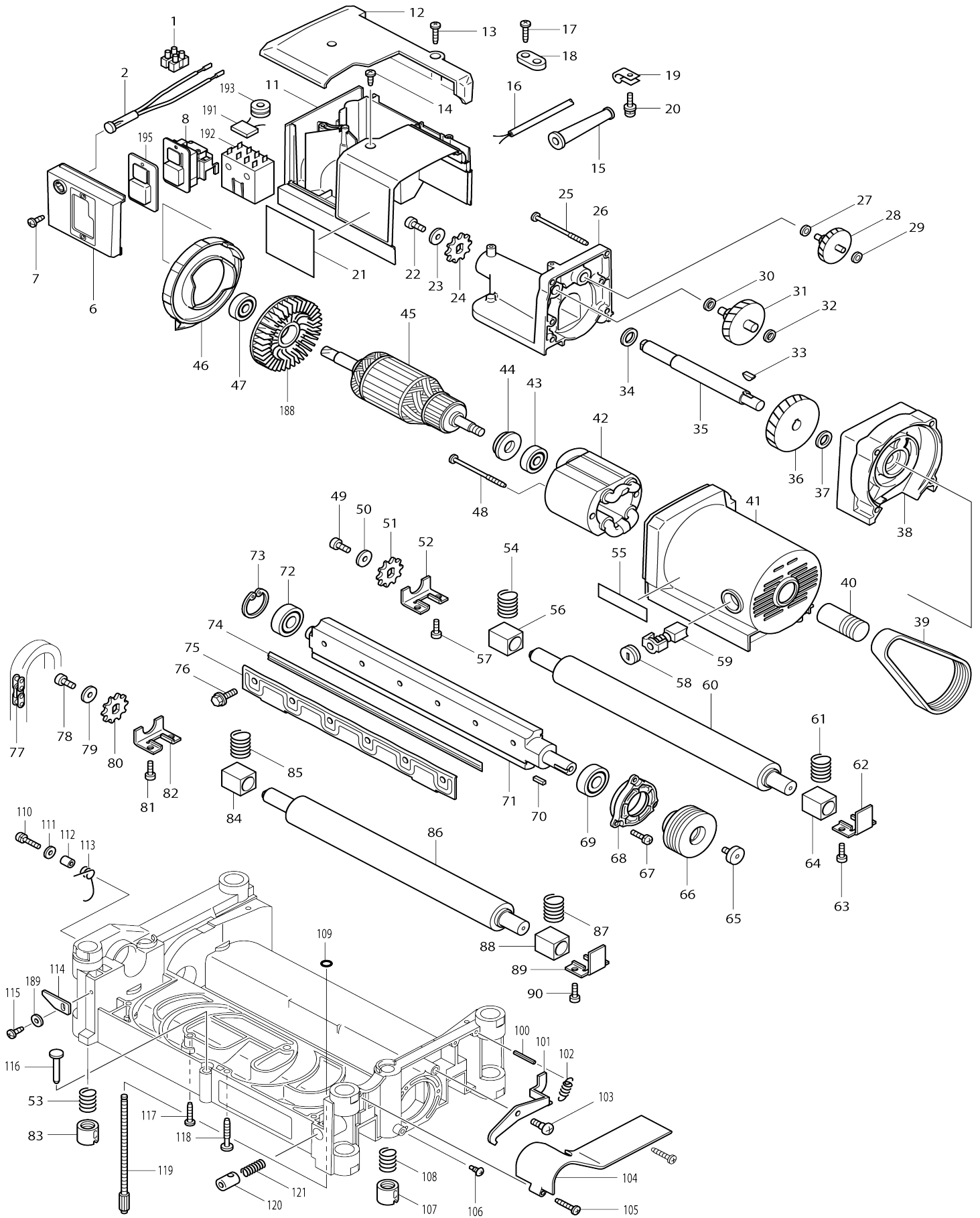
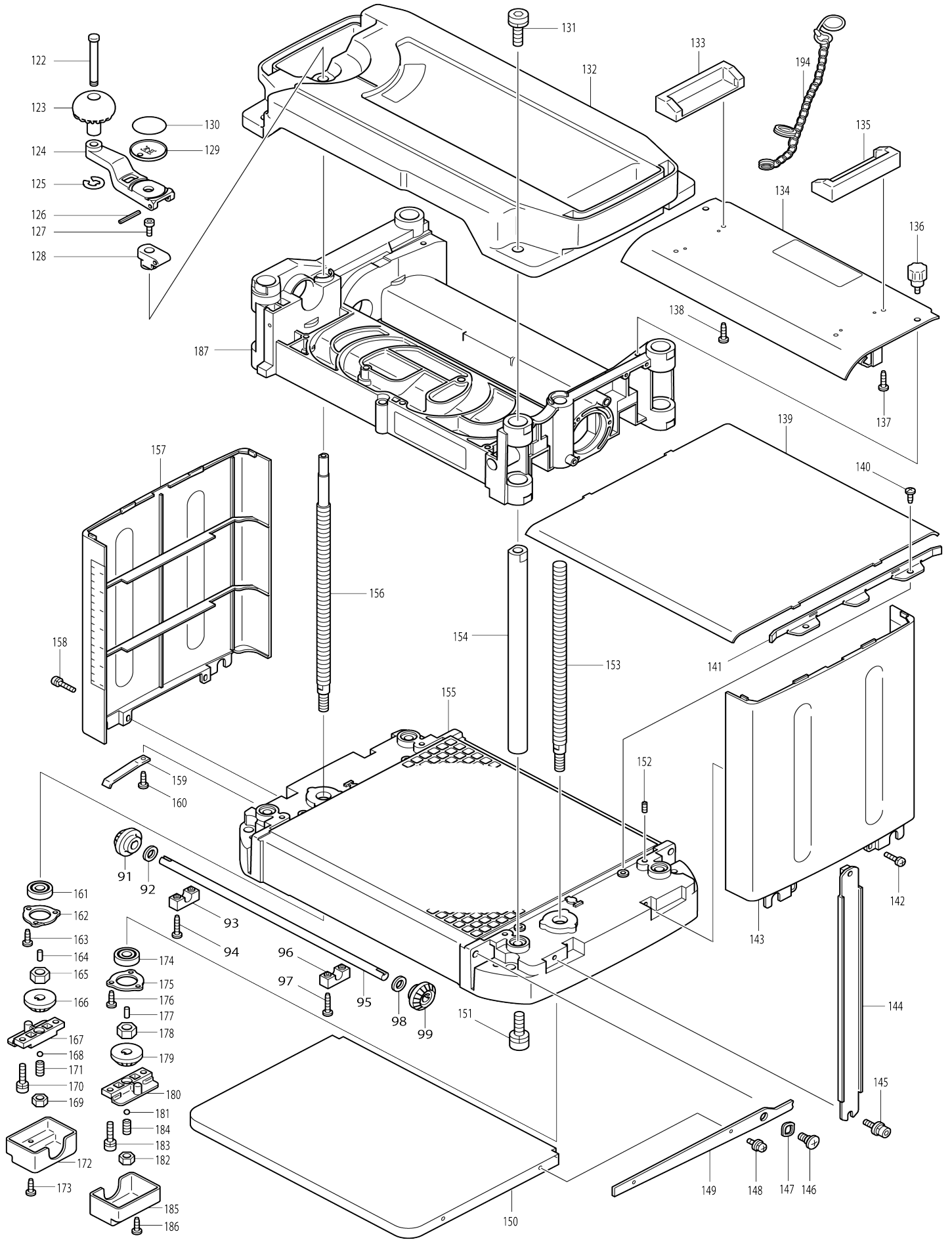


Model No.2012NB PLANER 304MM



Model No.2012NB PLANER 304MM



Model No.2012NB PLANER 304MM

Item No.	Parts No.	Description	Interchangability	Q'ty	New/Old	Note1	Note2
001	654561-8	TERMINAL BLOCK		1			
002	631371-0	PILOT LAMP COMPLETE		1			
006	418416-9	SWITCH COVER		1			
007	251991-0	+ TAPPING SCREW M4X12		2			
008	632519-7	SWITCH UNIT		1			
011	417041-3	SWITCH BOX		1			
012	417038-2	SWITCH BOX COVER		1			
013	265995-6	TAPPING SCREW 4X18		2			
014	266026-4	TAPPING SCREW BIND CT 4X12		2			
015	682516-3	CORD GUARD 9.3-85		1			
016	665865-3	POWER SUPPLY CORD 1.0-2-2.5		1			
017	265995-6	TAPPING SCREW 4X18		2			
018	687053-2	STRAIN RELIEF		1	*		
018-1	687052-4	STRAIN RELIEF	<	1	*		
018-2	687124-5	STRAIN RELIEF	O	1			
019	687042-7	STRAIN RELIEF		1			
020	911128-8	P.H.SCREW M4X16 WITH WR		1			
021	851968-1	NAME PLATE 2012NB		1			
022	922312-0	HEX. SOCKET HEAD BOLT M6X12		1			
023	267080-1	FLAT WASHER 6		1			
024	221525-3	SPROCKET 10		1			
025	266059-9	TAPPING SCREW 5X75		4			
026	151739-9	GEAR HOUSING COVER COMPLETE		1			
C10	214014-5	PLANE BEARING 6		1			
C20	214022-6	PLANE BEARING 8		1			
C30	214156-5	PLANE BEARING 14		1			
C40	256041-6	PIN 6		2			
027	253715-0	FLAT WASHER 6		1			
028	226134-3	GEAR COMPLETE 8-50		1			
029	253715-0	FLAT WASHER 6		1			
030	253215-0	FLAT WASHER 8		1			
031	226135-1	GEAR COMPLETE 8-46		1			
032	253215-0	FLAT WASHER 8		1			
033	254001-2	WOODRUFF KEY 4		1			
034	253760-5	FLAT WASHER 14		1			
035	323923-8	DRIVE SHAFT		1			
036	226518-5	HELICAL GEAR 47		1			
037	253744-3	FLAT WASHER 12		1			
038	151738-1	GEAR HOUSING COMPLETE		1			
C10	214014-5	PLANE BEARING 6		1			
C20	214022-6	PLANE BEARING 8		1			
C30	214109-4	PLANE BEARING 12		1			
039	225083-1	POLY V-BELT 8-341		1			
040	222155-3	V-PULLEY 8-23.5L		1			
041	151737-3	MOTOR HOUSING COMPLETE		1			
C10	643660-1	BRUSH HOLDER 6.5-13.5		2	*		
C11	643653-8	BRUSH HOLDER 6.5-13.5	O	2			

042	526104-5	FIELD ASS'Y 230-240V		1			
C10	654020-2	RING TERMINAL		2			
C20	654502-4	CONNECTOR P-2		2			
043	211087-9	BALL BEARING 6200DDW		1	*		
043-1	210313-3	BALL BEARING 6200DDW	O	1			
044	681623-9	INSULATION WASHER		1			
045	516813-4	ARMATURE ASS'Y 220-240V		1	*		
045		INC. 43,44,47,188			*		
045-1	510595-0	ARMATURE ASSY 220-240V	O	1			
045-1		INC. 43,44,47,188					
046	417033-2	BAFFLE PLATE		1			
047	211087-9	BALL BEARING 6200DDW		1	*		
047-1	210313-3	BALL BEARING 6200DDW	O	1			
048	266059-9	TAPPING SCREW 5X75		2			
049	922312-0	HEX. SOCKET HEAD BOLT M6X12		1			
050	267080-1	FLAT WASHER 6		1			
051	221525-3	SPROCKET 10		1			
052	343844-8	METAL COVER (B)		1			
053	233016-2	COMPRESSION SPRING 15		1			
054	231459-2	COMPRESSION SPRING 13		1			
055	819064-1	MAKITA MARK		1	*		
056	214251-1	PLANE BEARING 17		1			
057	922221-3	HEX. SOCKET HEAD BOLT M5X16		2			
058	643650-4	BRUSH HOLDER CAP 6.5-13.5		2	*		
058-1	643650-4	BRUSH HOLDER CAP 6.5-13.5	O	2			
059	181044-0	CARBON BRUSH CB-153		1	*		
059-1	194985-1	CARBON BRUSH SET CB-153	O	1			
060	162216-6	ROLLER 34-295		1			
061	233392-4	COMPRESSION SPRING 13A		1			
062	341685-6	METAL COVER (A)		1			
063	922221-3	HEX. SOCKET HEAD BOLT M5X16		2			
064	214251-1	PLANE BEARING 17		1			
065	265854-4	HEX. SOCKET HEAD BOLT M6X12		1			
066	222154-5	V-PULLEY 8-54		1			
067	911128-8	P.H.SCREW M4X16 WITH WR		3			
068	317259-5	BEARING BOX		1			
069	211206-7	BALL BEARING 6202LLB		1	*		
069-1	210314-1	BALL BEARING 6202LLB	O	1			
070	254204-8	KEY 4		1			
071	323928-8	DRUM		1			
072	211206-7	BALL BEARING 6202LLB		1	*		
072-1	210314-1	BALL BEARING 6202LLB	O	1			
073	962153-2	RETAINING RING R-35		1			
074	793346-8	PLANER BLADE 306		1			
075	343682-8	SET PLATE		2			
076	251609-3	HEX. FLANGE HEAD BOLT M6X17		12			
077	225520-5	CHAIN 35-46		1			
078	922312-0	HEX. SOCKET HEAD BOLT M6X12		1			
079	267080-1	FLAT WASHER 6		1			
080	221525-3	SPROCKET 10		1			
081	922221-3	HEX. SOCKET HEAD BOLT M5X16		2			

082	343844-8	METAL COVER (B)		1		
083	252426-4	NUT M14		1		
084	214251-1	PLANE BEARING 17		1		
085	231459-2	COMPRESSION SPRING 13		1		
086	162216-6	ROLLER 34-295		1		
087	233392-4	COMPRESSION SPRING 13A		1		
088	214251-1	PLANE BEARING 17		1		
089	341685-6	METAL COVER (A)		1		
090	922221-3	HEX. SOCKET HEAD BOLT M5X16		2		
091	226786-0	STRAIGHT BEVEL GEAR 15		1		
092	253828-7	FLAT WASHER 10		1		
093	417034-0	SHAFT RETAINER		1		
094	266040-0	TAPPING SCREW CT 4X25		2		
095	323926-2	SHAFT 10		1		
096	417034-0	SHAFT RETAINER		1		
097	266040-0	TAPPING SCREW CT 4X25		2		
098	253828-7	FLAT WASHER 10		1		
099	226786-0	STRAIGHT BEVEL GEAR 15		1		
100	951122-8	SPRING PIN 4-28		1		
101	344815-8	LOCK PLATE		1		
102	231793-0	TENSION SPRING 5		1		
103	251283-7	+ PAN HEAD SCREW M5		1		
104	417035-8	BELT COVER		1		
105	266040-0	TAPPING SCREW CT 4X25		2		
106	251322-3	+ PAN HEAD SCREW M5X12		2		
107	252427-2	NUT M14L		1		
108	233016-2	COMPRESSION SPRING 15		1		
109	213009-5	O RING 4		1		
110	911233-1	PAN HEAD SCREW M5X20		1		
111	253194-2	FLAT WASHER 5		1		
112	257600-9	SLEEVE 6		1		
113	231588-1	TORSION SPRING 9		1		
114	344068-9	POINTER		1		
115	266026-4	TAPPING SCREW BIND CT 4X12		1		
116	322229-1	GAUGE		1		
117	266040-0	TAPPING SCREW CT 4X25		2		
118	266173-1	TAPPING SCREW 5X30		2		
119	265736-0	SCREW M6X135		1		
120	323927-0	HALF NUT		1		
121	231226-5	COMPRESSION SPRING 11		1		
122	256688-6	PIN 8		1		
123	271296-2	KNOB 45		1		
124	272026-4	HANDLE 160		1	*	
124-1	272028-0	HANDLE 160	<	1		
125	961012-7	STOP RING E-6		1		
126	951122-8	SPRING PIN 4-28		1		
127	266086-6	HEX. SOCKET HEAD BOLT M5X16		1		
128	317261-8	JOINT		1	*	
128-1	317760-0	JOINT	<	1		
129	417032-4	GAUGE		1		
130	816358-5	SCALE LABEL		1		
131	266240-2	HEX. SOCKET HEAD BOLT M10X2		4		

		5				
132	151920-2	TOP COVER COMPLETE		1	*	
C10	816359-3	INDICATION LABEL		1	*	
C20	817737-0	CAUTION LABEL		1	*	
132-1	153781-6	TOP COVER COMPLETE	<	1	*	
C10	816359-3	INDICATION LABEL		1	*	
C20	817737-0	CAUTION LABEL		1	*	
132-2	153779-3	TOP COVER COMPLETE	<	1		
C10	816359-3	INDICATION LABEL		1		
133	417036-6	TOOL BOX HOLDER		1		
134	165272-5	CHIP COVER		1	*	
134-1	165379-7	CHIP COVER	O	1		
135	417036-6	TOOL BOX HOLDER		1		
136	265716-6	SCREW M5X10		2		
137	265995-6	TAPPING SCREW 4X18		2		
138	265995-6	TAPPING SCREW 4X18		2		
139	344816-6	TABLE PLATE		1		
140	266026-4	TAPPING SCREW BIND CT 4X12		4		
141	344819-0	GUIDE PLATE		2		
142	911128-8	P.H.SCREW M4X16 WITH WR		2		
143	417040-5	SIDE COVER		1		
144	344820-5	SIDE BEAM		2		
145	922323-5	HEX.SOCKET HEAD BOLT M6X16		4		
146	251217-0	+ BINDING HEAD SCREW M8		4		
147	253932-2	WAVE WASHER 10		4		
148	911108-4	PAN HEAD SCREW M4X8		8		
149	344818-2	ARM		4		
150	344817-4	SUB TABLE PLATE		2		
151	266240-2	HEX. SOCKET HEAD BOLT M10X2 5		4		
152	266213-5	H.S.SET SCREW(FLAT POINT)M5X 12		4		
153	323925-4	SCREW L		1		
154	331562-0	COLUMN 20		4		
155	317266-8	TABLE		1	*	
155-1	317763-4	TABLE	<	1		
156	323924-6	SCREW R		1		
157	151886-6	SIDE COVER COMPLETE		1	*	
C10	816354-3	SCALE LABEL		1	*	
157-1	142383-3	SIDE COVER COMPLETE	<	1		
C10	816354-3	SCALE LABEL		1		
158	911128-8	P.H.SCREW M4X16 WITH WR		2		
159	232195-3	LEAF SPRING		2		
160	266026-4	TAPPING SCREW BIND CT 4X12		2		
161	211088-7	BALL BEARING 6000DDW		1	*	
161-1	210315-9	BALL BEARING 6000DDW	O	1		
162	285698-6	BEARING RETAINER 33		1		
163	266026-4	TAPPING SCREW BIND CT 4X12		3		
164	256226-4	PIN 4		1		
165	252164-8	HEX.NUT M10-17		1		
166	226791-7	STRAIGHT BEVEL GEAR 15		1		
167	317260-0	SUPPORTER		1		

168	216011-7	STEEL BALL 5.6		1		
169	931403-6	HEX. NUT M8		1		
170	922231-0	HEX. SOCKET HEAD BOLT M5X20		2		
171	265846-3	H.S.SET SCREW(CUP POINT)M8X1 6		1		
172	417030-8	GEAR COVER		1		
173	266026-4	TAPPING SCREW BIND CT 4X12		1		
174	211088-7	BALL BEARING 6000DDW		1	*	
174-1	210315-9	BALL BEARING 6000DDW	O	1		
175	285698-6	BEARING RETAINER 33		1		
176	266026-4	TAPPING SCREW BIND CT 4X12		3		
177	256226-4	PIN 4		1		
178	252164-8	HEX.NUT M10-17		1		
179	226791-7	STRAIGHT BEVEL GEAR 15		1		
180	317260-0	SUPPORTER		1		
181	216011-7	STEEL BALL 5.6		1		
182	931403-6	HEX. NUT M8		1		
183	922231-0	HEX. SOCKET HEAD BOLT M5X20		2		
184	265846-3	H.S.SET SCREW(CUP POINT)M8X1 6		1		
185	417030-8	GEAR COVER		1		
186	266026-4	TAPPING SCREW BIND CT 4X12		1		
187	153731-1	MAIN FRAME COMPLETE		1	*	
C10	817283-3	CAUTION LABEL		1	*	
187-1	153731-1	MAIN FRAME COMPLETE	<	1		
C10	817283-3	CAUTION LABEL		1		
188	240003-4	FAN 80		1	*	
189	941051-3	FLAT WASHER 4		1		
191	645200-1	NOISE SUPPRESSOR		1		
192	652769-8	RELAY		1	*	
192-1	652769-8	RELAY	O	1	*	
192-2	638897-3	RELAY UNIT	O	1		
193	688106-0	LINE FILTER		1	*	
193-1	688131-1	LINE FILTER	O	1	*	
193-2	688131-1	LINE FILTER	O	1		
194	282017-7	CHAIN		1		
195	414301-4	DUST COVER		1		
A01	762014-4	MAGNETIC HOLDER		2		
A02	782203-5	SOCKET WRENCH 9		1		
A03	783208-8	HEX. WRENCH 2.5		1		
A04	824002-0	PLASTIC CASE		1		
A05	122696-8	HOOD ASS'Y		1	*	
C10	344834-4	HOOD HOLDER		1	*	
C20	415448-7	HOOD		1	*	
A05-1	193036-7	HOOD SET	O	1		
C10	344834-4	HOOD HOLDER		1		
C20	415448-7	HOOD		1		
A06	193902-8	STAND SET		1	*	
C11	265823-5	CAP SQUARE NECK BOLT M8X14		16	*	
C16	286215-5	CAP 28		4	*	
C21	344588-3	STAND LEG		4	*	
C26	344589-1	STAND STAY A		2	*	

C31	345395-7	STAND STAY B		2	*		
C36	921476-7	HEX. BOLT M8X55		4	*		
C41	931402-8	HEX. NUT M8		20	*		
C46	941201-0	FLAT WASHER 8		4	*		
C51	942201-3	SPRING WASHER 8		16	*		
C56	846285-2	CARTON		1	*		
A06-1	194053-0	STAND SET	X	1	*		
A06-2	198689-7	STAND SET	<	1	*		
A06-3	198688-9	STAND SET	O	1			
A07	416772-1	PUSH STICK		1			
F02	193036-7	HOOD SET		1			
C10	344834-4	HOOD HOLDER		1			
C20	415448-7	HOOD		1			
F45-1	198688-9	STAND SET	<	1			

Please state Parts No. when your order.

Print Date 25/11/2024