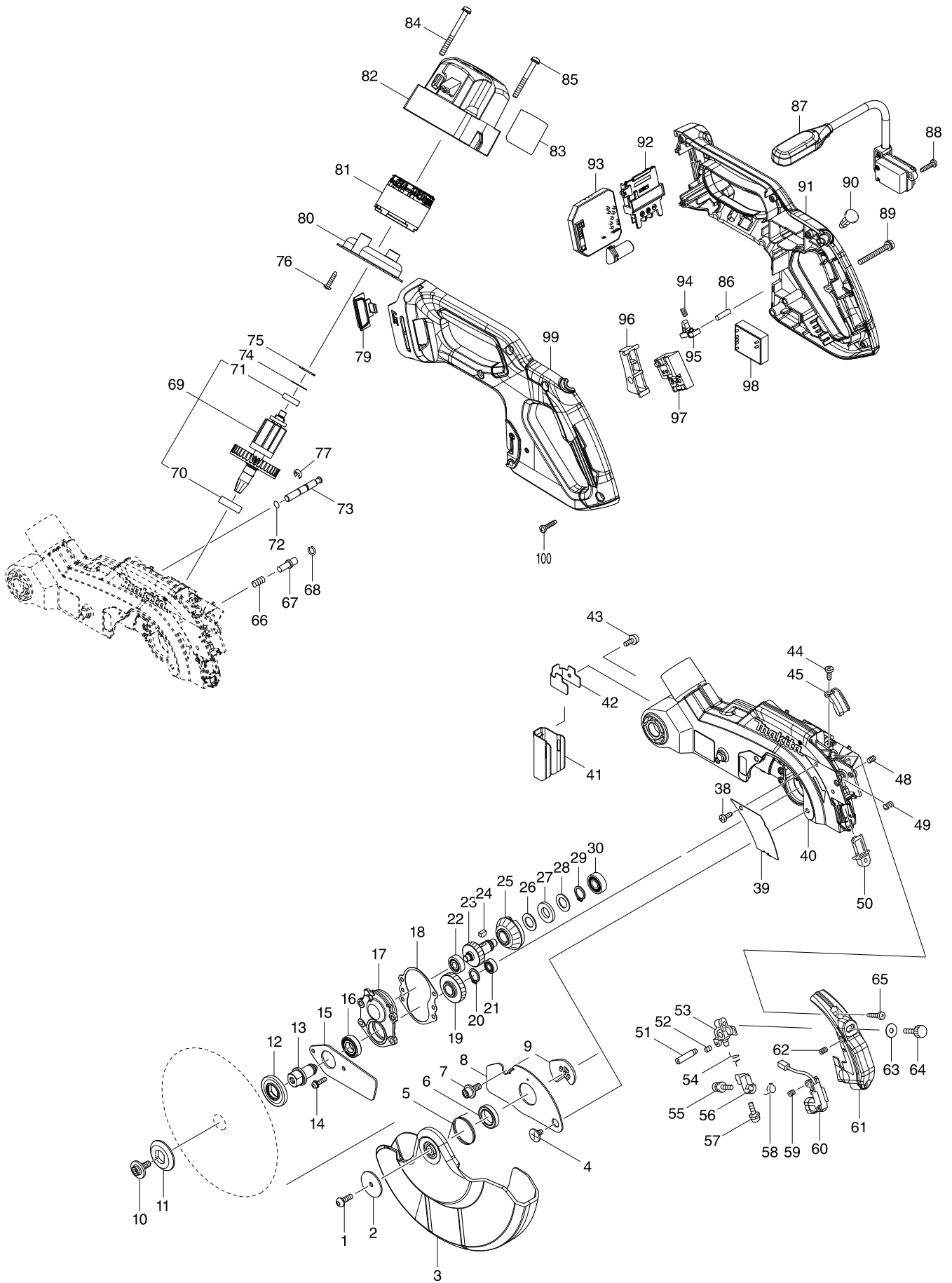
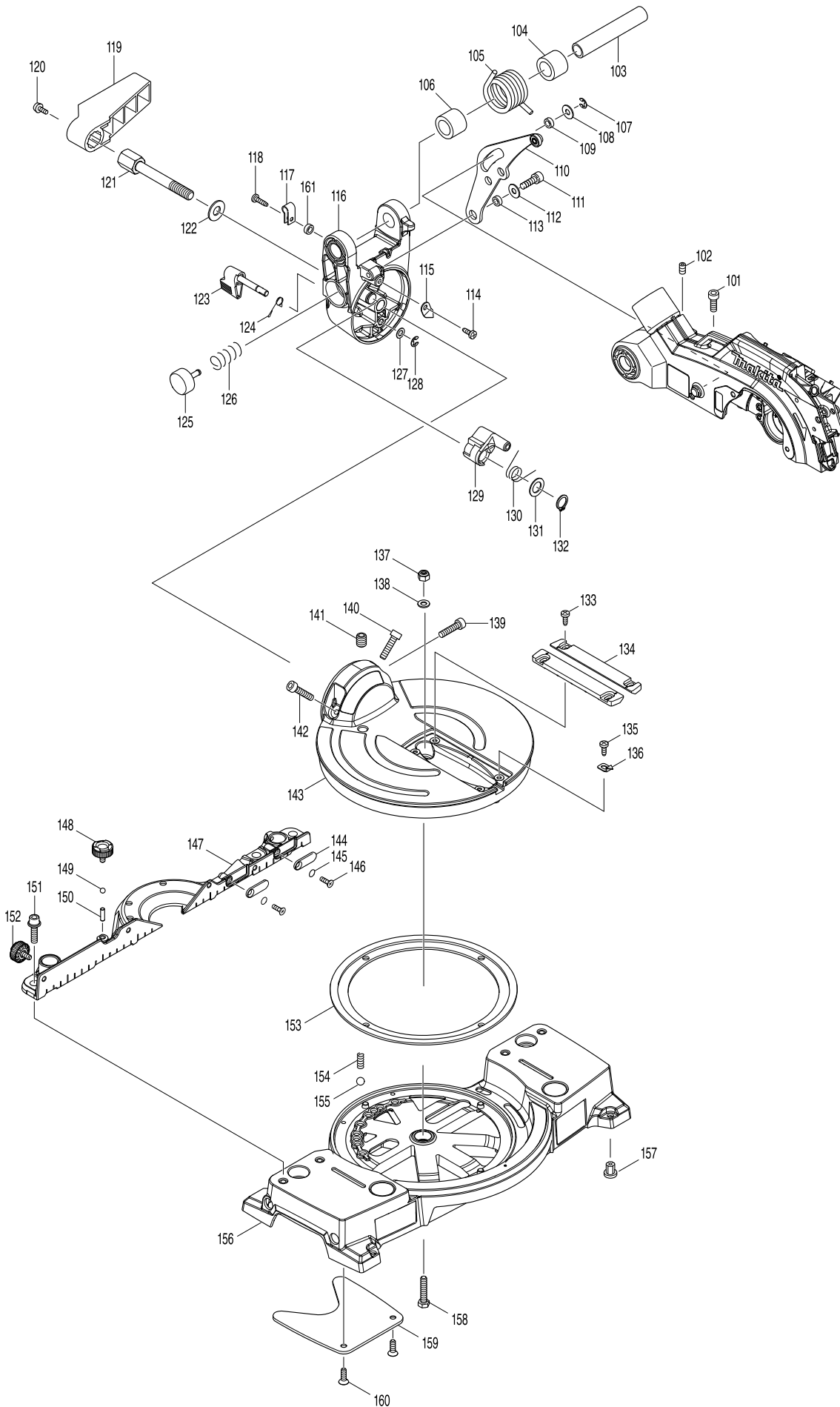


Model No. DLS600 165MM CORDLESS MITER SAW



Model No. DLS600 165MM CORDLESS MITER SAW



Model No. DLS600 165MM CORDLESS MITER SAW

Item	Parts No.	Description	I/C	Qty	N/O	Opt. 1	Opt. 2	Note
001	265491-4	H.S. BUTTON HEAD BOLT M5X16		1				
002	267136-0	FLAT WASHER 5		1				
003	458077-3	SAFETY COVER		1				
004	265008-3	+ FLAT HEAD SCREW M5		1				
005	232311-7	TORSION SPRING 30		1				
006	210150-5	BALL BEARING 6803DDW		1				
007	266732-1	HEX. SOCKET HEAD BOLT M6X16		1				
008	347060-4	CENTER COVER		1				
009	347059-9	CENTER PLATE		1				
010	266733-9	HEX. S.F.H. BOLT M6X16		1				
011	224405-2	OUTER FLANGE 35		1				
012	224593-5	INNER FLANGE 35		1				
013	325866-0	SPINDLE		1				
014	911128-8	P.H.SCREW M4X16 WITH WR		4				
015	347295-7	BEARING RETAINER		1				
016	211288-9	BALL BEARING 6901DDW		1				
017	318534-2	BEARING BOX		1				
018	442152-5	GASKET		1				
019	227727-9	HELICAL GEAR 39		1				
020	961052-5	RETAINING RING S-12		1				
021	210006-2	BALL BEARING 696ZZ		1				
022	210017-7	BALL BEARING 607DDW		1				
023	227726-1	HELICAL GEAR 31		1				
024	254011-9	WOODRUFF KEY 4		1				
025	227565-9	SPIRAL BEVEL GEAR 35		1				
026	253744-3	FLAT WASHER 12		1				
027	261104-5	RUBBER WASHER 12		1				
028	253744-3	FLAT WASHER 12		1				
029	961052-5	RETAINING RING S-12		1				
030	210005-4	BALL BEARING 608DDW		1				
038	266026-4	TAPPING SCREW BIND CT 4X12		1				
039	346171-2	COVER PLATE		1				
040	144796-4	BLADE CASE COMPLETE		1				
C10	263002-9	RUBBER PIN 4		4				
C20	263005-3	RUBBER PIN 6		1				
041	424870-7	GUARD		1				
042	347057-3	GUARD PLATE		1				
043	911113-1	PAN HEAD SCREW M4X10 WITH WR		1				
044	266026-4	TAPPING SCREW BIND CT 4X12		1				
045	458075-7	LEAD COVER		1				
048	266229-0	H.S.SET SCREW(CUP POINT)M5X8		1				
049	233471-8	COMPRESSION SPRING 6		1				
050	418104-8	LENS		1				
051	266306-8	SHOULDER SCREW M5		1				
052	266318-1	H.S.SET SCREW(FLAT POINT)M4X6		1				
053	419379-2	BLOCK C		1				
054	231664-1	TORSION SPRING 9		1				
055	911003-8	PAN HEAD SCREW M3X6		1				

Model No. DLS600 165MM CORDLESS MITER SAW

Item	Parts No.	Description	I/C	Qty	N/O	Opt. 1	Opt. 2	Note
056	419378-4	BLOCK B		1				
057	911003-8	PAN HEAD SCREW M3X6		1				
058	231664-1	TORSION SPRING 9		1				
059	266318-1	H.S.SET SCREW(FLAT POINT)M4X6		1				
060	638442-4	LASER CIRCUIT COMPLETE		1				
061	140344-7	LASER COVER COMPLETE		1				
062	266229-0	H.S.SET SCREW(CUP POINT)M5X8		1				
063	253807-5	FLAT WASHER 5		1				
064	265753-0	THUMB SCREW M5X24		1				
065	266042-6	TAPPING SCREW BIND CT 4X20		2				
066	231240-1	COMPRESSION SPRING 7		1				
067	256633-1	PIN 6		1				
068	231928-3	RING SPRING 8		1				
069	519400-8	ROTOR ASSEMBLY		1				
D10		INC. 70,71						
070	211131-2	BALL BEARING 6001DDW		1				
071	210017-7	BALL BEARING 607DDW		1				
072	213021-5	O RING 5		1				
073	326769-1	STOPPER PIN		1				
074	253842-3	FLAT WASHER 14		1				
075	261153-2	URETHAN WASHER 15		1				
076	265995-6	TAPPING SCREW 4X18		2				
077	961018-5	STOP RING E-5		1				
079	144033-6	INDICATION PLATE COMPLETE		1				
080	456908-0	BAFFLE PLATE		1				
081	629215-6	STATOR		1				
082	456910-3	MOTOR HOUSING		1				
083	853T32-4	DLS600 NAME PLATE		1				
084	911278-9	PAN HEAD SCREW M5X55		2				
085	911268-2	PAN HEAD SCREW M5X45		2				
086	256123-4	PIN 5		1				
087	620558-9	LED CIRCUIT		1				
088	265995-6	TAPPING SCREW 4X18		2				
089	911268-2	PAN HEAD SCREW M5X45		1				
090	417113-4	SWITCH BUTTON		1				
091	183E52-7	HANDLE SET		1				
C10	263005-3	RUBBER PIN 6		2				
D10		INC. 99						
092	643874-2	TERMINAL		1				
093	620761-2	CONTROLLER A		1				
094	231026-3	COMPRESSION SPRING 4		1				
095	416533-9	LOCK OFF LEVER		1				
096	452130-7	SWITCH LEVER		1				
097	650705-8	SWITCH TG73BDS-1		1				
098	620551-3	POWER SUPPLY CIRCUIT		1				
099	183E52-7	HANDLE SET		1				
C10	263005-3	RUBBER PIN 6		2				
D10		INC. 91						

Model No. DLS600 165MM CORDLESS MITER SAW

Item	Parts No.	Description	I/C	Qty	N/O	Opt. 1	Opt. 2	Note
100	265995-6	TAPPING SCREW 4X18		6				
101	266757-5	HEX. SOCKET HEAD BOLT M6X16		1				
102	251961-9	H.S.SET SCREW(FLAT POINT)M6X10		1				
103	331350-5	PIN 16-90		1				
104	416535-5	SLEEVE 17		1				
105	232310-9	TORSION SPRING 28		1				
106	416535-5	SLEEVE 17		1				
107	961018-5	STOP RING E-5		1				
108	253804-1	FLAT WASHER 6		1				
109	257163-5	RING 6		1				
110	144791-4	LINK PLATE COMPLETE		1				
111	922331-6	HEX. SOCKET HEAD BOLT M6X20		1				
112	253804-1	FLAT WASHER 6		1				
113	257163-5	RING 6		1				
114	266026-4	TAPPING SCREW BIND CT 4X12		1				
115	347058-1	INDICATION PLATE		1				
116	144795-6	ARM COMPLETE		1				
C10	816438-7	OPERATIONAL INDICATION LABEL		1				
117	687045-1	STRAIN RELIEF		1				
118	266034-5	TAPPING SCREW CT 4X16		1				
119	416006-2	LEVER 100		1				
120	911113-1	PAN HEAD SCREW M4X10 WITH WR		1				
121	251495-2	HEX. BOLT M10		1				
122	253024-7	FLAT WASHER 10		1				
123	272266-4	LEVER 25		1				
124	233563-3	TORSION SPRING 8		1				
125	415208-7	RELEASE BUTTON		1				
126	233031-6	COMPRESSION SPRING 12		1				
127	253726-5	FLAT WASHER 6		1				
128	961018-5	STOP RING E-5		1				
129	318533-4	STOPPER		1				
130	231646-3	TORSION SPRING 14		1				
131	253744-3	FLAT WASHER 12		1				
132	961052-5	RETAINING RING S-12		1				
133	266026-4	TAPPING SCREW BIND CT 4X12		4				
134	456907-2	KERF BOARD		2				
135	266026-4	TAPPING SCREW BIND CT 4X12		1				
136	816128-2	POINTER		1				
137	252014-7	HEX. LOCK NUT M6-10		1				
138	941151-9	FLAT WASHER 6		1				
139	251582-7	HEX SOCKET HEAD BOLT M6X25		1				
140	251582-7	HEX SOCKET HEAD BOLT M6X25		1				
141	251966-9	H.S.SET SCREW(FLATPOINT)M10X12		1				
142	251582-7	HEX SOCKET HEAD BOLT M6X25		1				
143	144028-9	TURN BASE COMPLETE		1				
144	346169-9	FENCE PLATE		2				
145	213021-5	O RING 5		2				
146	265156-8	+COUNTERSUNK HEAD SCREW M		2				

