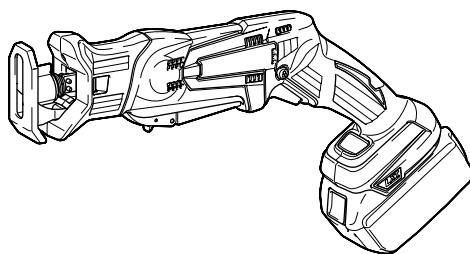
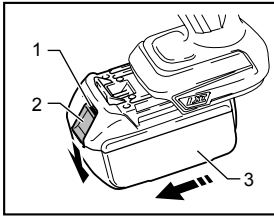




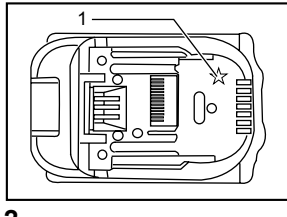
GB	Cordless Recipro Saw	INSTRUCTION MANUAL
S	Batteridriven tigersåg	BRUKSANVISNING
N	Batteridrevet bajonettsag	BRUKSANVISNING
FIN	Akkukäyttöinen puukkosaha	KÄYTTÖOHJE
LV	Bezvada zobenzāģis	LIETOŠANAS INSTRUKCIJA
LT	Belaidis atbulinis pjūklas	NAUDOJIMO INSTRUKCIJA
EE	Juhtmeta löikesaag	KASUTUSJUHEND
RUS	Аккумуляторная сабельная пила	РУКОВОДСТВО ПО ЭКСПЛУАТАЦИИ

DJR143
DJR145
DJR183
DJR185

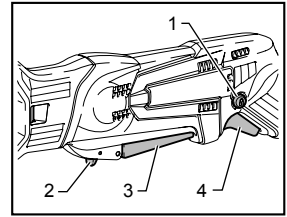




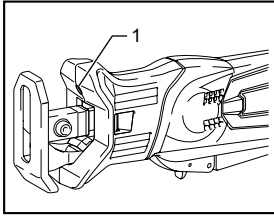
1 014044



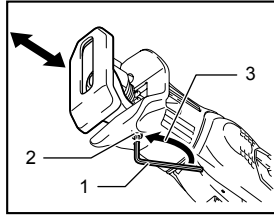
2 012128



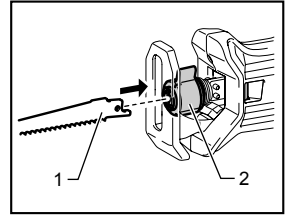
3 014050



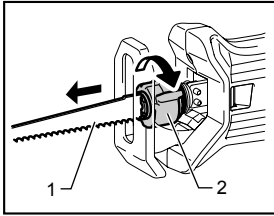
4 014053



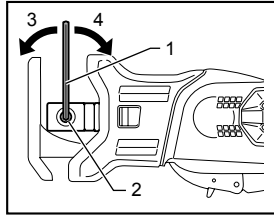
5 014201



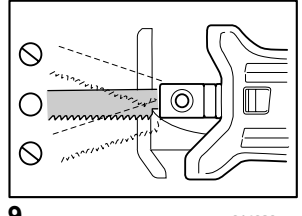
6 014058



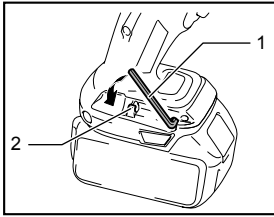
7 014059



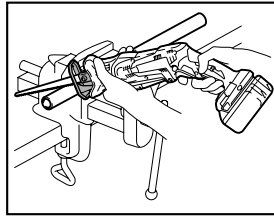
8 014045



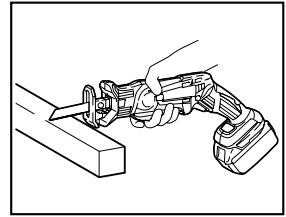
9 014086



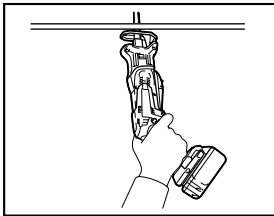
10 014202



11 014054



12 014056



13 014055

ENGLISH (Original instructions)

Explanation of general view

1-1. Red indicator	4-1. Lamp	8-1. Hex wrench
1-2. Button	5-1. Hex wrench	8-2. Bolt
1-3. Battery cartridge	5-2. Hex bolt	8-3. Loosen
2-1. Star marking	5-3. Loosen	8-4. Tighten
3-1. Lock-off button	6-1. Recipro saw blade	10-1. Hex wrench
3-2. Lock-off lever	6-2. Blade clamp sleeve	10-2. Protrusion
3-3. Switch lever	7-1. Saw blade	
3-4. Switch trigger	7-2. Blade clamp sleeve	

SPECIFICATIONS

Model	DJR143	DJR145	DJR183	DJR185
Length of stroke	13 mm			
Strokes per minute (min ⁻¹)	0 - 3,000			
Max. cutting capacities	Pipe	50 mm		
	Wood	50 mm		
Overall length	392 mm (with BL1415)		392 mm (with BL1815 / BL1815N / BL1820)	
	397 mm (with BL1430 / BL1440)		398 mm (with BL1830 / BL1840 / BL1850)	
Net weight	1.5 kg (with BL1415)		1.5 kg (with BL1815 / BL1815N / BL1820)	
	1.7 kg (with BL1430 / BL1440)		1.8 kg (with BL1830 / BL1840 / BL1850)	
Rated voltage	D.C. 14.4 V		D.C. 18 V	

- Due to our continuing program of research and development, the specifications herein are subject to change without notice.
- Specifications and battery cartridge may differ from country to country.
- Weight, with battery cartridge, according to EPTA-Procedure 01/2003

ENE020-1

Intended use

The tool is intended for sawing wood, plastic and ferrous materials.

ENG905-1

Noise

The typical A-weighted noise level determined according to EN60745:

Model DJR143, DJR185

Sound pressure level (L_{pA}): 76 dB (A)

Uncertainty (K): 3 dB (A)

The noise level under working may exceed 80 dB (A).

Model DJR145, DJR183

Sound pressure level (L_{pA}): 77 dB (A)

Uncertainty (K): 3 dB (A)

The noise level under working may exceed 80 dB (A).

Wear ear protection

ENG900-1

Vibration

The vibration total value (tri-axial vector sum) determined according to EN60745:

Model DJR143, DJR145

Work mode : cutting boards

Vibration emission ($a_{h,B}$): 7.0 m/s²

Uncertainty (K): 1.5 m/s²

Work mode : cutting wooden beams

Vibration emission ($a_{h,WB}$): 7.0 m/s²

Uncertainty (K): 1.5 m/s²

Model DJR183, DJR185

Work mode : cutting boards

Vibration emission ($a_{h,B}$): 8.0 m/s²

Uncertainty (K): 1.5 m/s²

Work mode : cutting wooden beams

Vibration emission ($a_{h,WB}$): 7.0 m/s²

Uncertainty (K): 1.5 m/s²

ENG901-1

- The declared vibration emission value has been measured in accordance with the standard test method and may be used for comparing one tool with another.
- The declared vibration emission value may also be used in a preliminary assessment of exposure.

⚠WARNING:

- The vibration emission during actual use of the power tool can differ from the declared emission value depending on the ways in which the tool is used.
- Be sure to identify safety measures to protect the operator that are based on an estimation of exposure in the actual conditions of use (taking account of all parts of the operating cycle such as the times when the tool is switched off and when it is running idle in addition to the trigger time).

ENH101-17

For European countries only

EC Declaration of Conformity

Makita declares that the following Machine(s):

Designation of Machine:

Cordless Recipro Saw

Model No./ Type: DJR143, DJR145, DJR183, DJR185

Conforms to the following European Directives:

2006/42/EC

They are manufactured in accordance with the following standard or standardized documents:

EN60745

The technical file in accordance with 2006/42/EC is available from:

Makita, Jan-Baptist Vinkstraat 2, 3070, Belgium

31.12.2013



000331

Yasushi Fukaya

Director

Makita, Jan-Baptist Vinkstraat 2, 3070, Belgium

GEA010-1

General Power Tool Safety

Warnings

⚠WARNING Read all safety warnings and all instructions. Failure to follow the warnings and instructions may result in electric shock, fire and/or serious injury.

Save all warnings and instructions for future reference.

GEB048-2

**CORDLESS RECIPRO SAW
SAFETY WARNINGS**

1. Hold power tool by insulated gripping surfaces, when performing an operation where the cutting accessory may contact hidden wiring. Cutting accessory contacting a

"live" wire may make exposed metal parts of the power tool "live" and could give the operator an electric shock.

2. **Use clamps or another practical way to secure and support the workpiece to a stable platform.** Holding the work by hand or against your body leaves it unstable and may lead to loss of control.
3. **Always use safety glasses or goggles. Ordinary eye or sun glasses are NOT safety glasses.**
4. **Avoid cutting nails. Inspect workpiece for any nails and remove them before operation.**
5. **Do not cut oversize workpiece.**
6. **Check for the proper clearance beyond the workpiece before cutting so that the blade will not strike the floor, workbench, etc.**
7. **Hold the tool firmly.**
8. **Make sure the blade is not contacting the workpiece before the switch is turned on.**
9. **Keep hands away from moving parts.**
10. **Do not leave the tool running. Operate the tool only when hand-held.**
11. **Always switch off and wait for the blade to come to a complete stop before removing the blade from the workpiece.**
12. **Do not touch the blade or the workpiece immediately after operation; they may be extremely hot and could burn your skin.**
13. **Do not operate the tool at no-load unnecessarily.**
14. **Always use the correct dust mask/respirator for the material and application you are working with.**
15. **Some material contains chemicals which may be toxic. Take caution to prevent dust inhalation and skin contact. Follow material supplier safety data.**

SAVE THESE INSTRUCTIONS.

⚠WARNING:

DO NOT let comfort or familiarity with product (gained from repeated use) replace strict adherence to safety rules for the subject product. **MISUSE** or failure to follow the safety rules stated in this instruction manual may cause serious personal injury.

ENC007-8

**IMPORTANT SAFETY
INSTRUCTIONS**

FOR BATTERY CARTRIDGE

1. Before using battery cartridge, read all instructions and cautionary markings on (1) battery charger, (2) battery, and (3) product using battery.

2. Do not disassemble battery cartridge.
3. If operating time has become excessively shorter, stop operating immediately. It may result in a risk of overheating, possible burns and even an explosion.
4. If electrolyte gets into your eyes, rinse them out with clear water and seek medical attention right away. It may result in loss of your eyesight.
5. Do not short the battery cartridge:
 - (1) Do not touch the terminals with any conductive material.
 - (2) Avoid storing battery cartridge in a container with other metal objects such as nails, coins, etc.
 - (3) Do not expose battery cartridge to water or rain.

A battery short can cause a large current flow, overheating, possible burns and even a breakdown.

6. Do not store the tool and battery cartridge in locations where the temperature may reach or exceed 50 ° C (122 ° F).
7. Do not incinerate the battery cartridge even if it is severely damaged or is completely worn out. The battery cartridge can explode in a fire.
8. Be careful not to drop or strike battery.
9. Do not use a damaged battery.
10. Follow your local regulations relating to disposal of battery.

SAVE THESE INSTRUCTIONS.

Tips for maintaining maximum battery life

1. Charge the battery cartridge before completely discharged.
Always stop tool operation and charge the battery cartridge when you notice less tool power.
2. Never recharge a fully charged battery cartridge.
Overcharging shortens the battery service life.
3. Charge the battery cartridge with room temperature at 10 ° C - 40 ° C (50 ° F - 104 ° F).
Let a hot battery cartridge cool down before charging it.
4. Charge the battery cartridge once in every six months if you do not use it for a long period of time.

FUNCTIONAL DESCRIPTION

⚠CAUTION:

- Always be sure that the tool is switched off and the battery cartridge is removed before adjusting or checking function on the tool.

Installing or removing battery cartridge

Fig.1

⚠CAUTION:

- Always switch off the tool before installing or removing of the battery cartridge.
- **Hold the tool and the battery cartridge firmly when installing or removing battery cartridge.** Failure to hold the tool and the battery cartridge firmly may cause them to slip off your hands and result in damage to the tool and battery cartridge and a personal injury.

To remove the battery cartridge, slide it from the tool while sliding the button on the front of the cartridge.

To install the battery cartridge, align the tongue on the battery cartridge with the groove in the housing and slip it into place. Insert it all the way until it locks in place with a little click. If you can see the red indicator on the upper side of the button, it is not locked completely.

⚠CAUTION:

- Always install the battery cartridge fully until the red indicator cannot be seen. If not, it may accidentally fall out of the tool, causing injury to you or someone around you.
- Do not install the battery cartridge forcibly. If the cartridge does not slide in easily, it is not being inserted correctly.

Battery protection system (Lithium-ion battery with star marking)

Fig.2

Lithium-ion batteries with a star marking are equipped with a protection system. This system automatically cuts off power to the tool to extend battery life.

The tool will automatically stop during operation if the tool and/or battery are placed under one of the following conditions:

- Overloaded:
The tool is operated in a manner that causes it to draw an abnormally high current. In this situation, release the switch lever/trigger on the tool and stop the application that caused the tool to become overloaded. Then pull the switch lever/trigger again to restart.
If the tool does not start, the battery is overheated. In this situation, let the battery cool before pulling the switch lever/trigger again.

- Low battery voltage:
The remaining battery capacity is too low and the tool will not operate. In this situation, remove and recharge the battery.

Switch action

⚠CAUTION:

- Before installing the battery cartridge into the tool, always check to see that the switch lever/trigger actuates properly and returns to the "OFF" position when released.

Fig.3

To prevent the switch lever/trigger from accidentally pulled, the lock-off lever/button are provided.

To start the tool, pull either switch lever or trigger.

- For the switch lever, pull the lock-off lever and then pull the switch lever to start the tool.
- For the switch trigger, depress the lock-off button and then pull the switch trigger to start to the tool. The lock-off button can be pressed from either right or left.

The tool speed is increased by increasing pressure on the switch lever/trigger. Release the switch lever/trigger to stop.

NOTICE:

Do not pull the switch lever/trigger hard without pulling the lock-off lever/button. This can cause switch breakage.

Lighting up the front lamp

Fig.4

⚠CAUTION:

- Do not look in the light or see the source of light directly.

Pull the switch lever/trigger to light up the lamp. The lamp keeps on lighting while the switch lever/trigger is being pulled.

The lamp automatically turns off 10-15 seconds after releasing the switch lever/trigger.

Adjusting the shoe

Fig.5

When the blade loses its cutting efficiency in one place along its cutting edge, reposition the shoe to utilize a sharp, unused portion of its cutting edge. This will help to lengthen the life of the blade.

To reposition the shoe, loosen the bolt with hex wrench. Slide the shoe to the desired position and then tighten the bolt firmly.

ASSEMBLY

⚠CAUTION:

- Always be sure that the tool is switched off and the battery cartridge is removed before carrying out any work on the tool.

Installing or removing the saw blade

⚠CAUTION:

- Always clean out all chips or foreign matter adhering to the blade, blade clamp and/or slider. Failure to do so may cause insufficient tightening of the blade, resulting in a serious injury.

For Model DJR143, DJR183

Fig.6

Insert the recipro saw blade into the blade clamp as far as it will go. The blade clamp sleeve rotates and fixes the saw blade. Make sure that the saw blade cannot be extracted even though you try to pull it out.

⚠CAUTION:

- If you do not insert the saw blade deep enough, the saw blade may be ejected unexpectedly during operation. This can be extremely dangerous.

NOTE:

- You can not use the jig saw blade with DJR143 or DJR183.

Fig.7

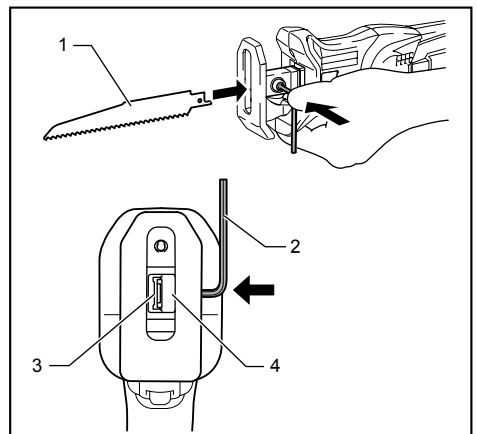
To remove the saw blade, rotate the blade clamp sleeve in the direction of the arrow fully. The saw blade is removed and the blade clamp sleeve is fixed at the released position.

NOTE:

- If you remove the saw blade without rotating the blade clamp sleeve fully, the sleeve may not be fixed. In this case, rotate the blade clamp sleeve fully, then make the sleeve fixed at the released position.

For Model DJR145, DJR185

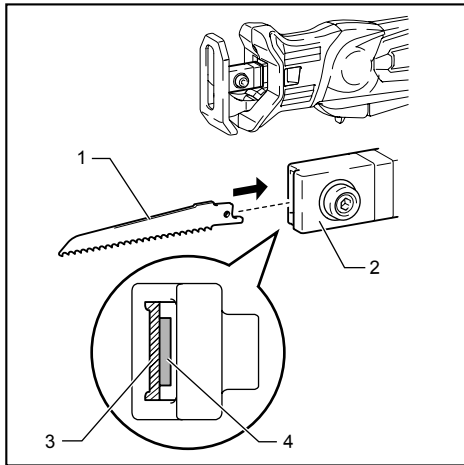
Fig.8



1. Recipro saw blade
2. Hex wrench
3. Hole for recipro saw blade
4. Blade clamp

014048

To install the saw blade, loosen the bolt by hex wrench. When installing a reciprocating saw blade, press the bolt through the hex wrench to open the slot during inserting the blade.



1. Saw blade
2. Blade clamp
3. Hole for reciprocating saw blade
4. Hole for jig saw blade

014047

Fig.9

You can use both jig saw blades (B type) and reciprocating saw blades according to your work. Insert the saw blade straight into the blade clamp and tighten it by hex wrench. Pull the saw blade lightly to make sure that the saw blade does not fall off during operation.

To remove the saw blade, follow the installation procedure in reverse.

Hex wrench storage

Fig.10

When not in use, store the hex wrench as shown in the figure to keep it from being lost.

OPERATION

⚠CAUTION:

- Always press the shoe firmly against the workpiece during operation. If the shoe is held away from the workpiece during operation, strong vibration and/or twisting will be produced, causing the blade to snap dangerously.
- Always wear gloves to protect your hands from hot flying chips when cutting metal.
- Be sure to always wear suitable eye protection which conforms with current national standards.
- Always use a suitable coolant (cutting oil) when cutting metal. Failure to do so will cause premature blade wear.

Fig.11

Press the shoe firmly against the workpiece. Do not allow the tool to bounce. Bring the saw blade into light contact with the workpiece. First, make a pilot groove using a slower speed. Then use a faster speed to continue cutting.

Fig.12

Fig.13

- You can use the switch lever or trigger according to your work.

NOTE:

- If the tool is operated continuously until the battery cartridge has discharged, allow the tool to rest for 15 minutes before proceeding with a fresh battery.

MAINTENANCE

⚠CAUTION:

- Always be sure that the tool is switched off and the battery cartridge is removed before attempting to perform inspection or maintenance.
- Never use gasoline, benzene, thinner, alcohol or the like. Discoloration, deformation or cracks may result.

To maintain product SAFETY and RELIABILITY, repairs, any other maintenance or adjustment should be performed by Makita Authorized Service Centers, always using Makita replacement parts.

OPTIONAL ACCESSORIES

⚠CAUTION:

- These accessories or attachments are recommended for use with your Makita tool specified in this manual. The use of any other accessories or attachments might present a risk of injury to persons. Only use accessory or attachment for its stated purpose.

If you need any assistance for more details regarding these accessories, ask your local Makita Service Center.

- Reciprocating saw blades
- Jig saw blades (only for Model DJR145, DJR185)
- Makita genuine battery and charger

NOTE:

- Some items in the list may be included in the tool package as standard accessories. They may differ from country to country.

SVENSKA (Originalbruksanvisning)

Förklaring till översiktssbilderna

1-1. Röd indikator	4-1. Lampa	8-1. Insexnyckel
1-2. Knapp	5-1. Insexnyckel	8-2. Bult
1-3. Batterikassett	5-2. Sexkantkruv	8-3. Lossa
2-1. Stjärnmarkering	5-3. Lossa	8-4. Dra fast
3-1. Säkerhetsknapp	6-1. Sägblad för tigersåg	10-1. Insexnyckel
3-2. Startpär	6-2. Bladklämmans hylsa	10-2. Tapp
3-3. Avtryckare	7-1. Sägblad	
3-4. Avtryckare	7-2. Bladklämmans hylsa	

SPECIFIKATIONER

Modell	DJR143	DJR145	DJR183	DJR185
Slaglängd	13 mm			
Slag per minut (min ⁻¹)	0 - 3 000			
Max. sågkapacitet	Rör	50 mm		
	Trä	50 mm		
Längd	392 mm (med BL1415)		392 mm (med BL1815 / BL1815N / BL1820)	
	397 mm (med BL1430 / BL1440)		398 mm (med BL1830 / BL1840 / BL1850)	
Vikt	1,5 kg (med BL1415)		1,5 kg (med BL1815 / BL1815N / BL1820)	
	1,7 kg (med BL1430 / BL1440)		1,8 kg (med BL1830 / BL1840 / BL1850)	
Märkspänning	14,4 V likström		18 V likström	

- På grund av vårt pågående program för forskning och utveckling kan dessa specifikationer ändras utan föregående meddelande.
- Specifikationer och batterikassett kan variera från land till land.
- Vikt med batterikassett i enlighet med EPTA-procedur 01/2003

ENE020-1

Användningsområde

Verktyget är avsett för sågning i trä, plast och järn.

ENG905-1

Buller

Typiska A-vägda bullernivån är mätt enligt EN60745:

Modell DJR143, DJR185

Ljudtrycksnivå (L_{pA}): 76 dB (A)

Måttolerans (K): 3 dB (A)

Bullernivån vid arbete kan överstiga 80 dB (A).

Modell DJR145, DJR183

Ljudtrycksnivå (L_{pA}): 77 dB (A)

Måttolerans (K): 3 dB (A)

Bullernivån vid arbete kan överstiga 80 dB (A).

Använd hörselskydd

ENG900-1

Vibration

Vibrationens totalvärde (tre-axlars vektorsumma) mätt enligt EN60745:

Modell DJR143, DJR145

Arbetsläge: skivsågning

Vibrationsemission (a_{n,B}): 7,0 m/s²

Måttolerans (K): 1,5 m/s²

Arbetsläge: sågning av träbjälkar

Vibrationsemission (a_{n,WB}): 7,0 m/s²

Måttolerans (K): 1,5 m/s²

Modell DJR183, DJR185

Arbetsläge: skivsågning

Vibrationsemission (a_{n,B}): 8,0 m/s²

Måttolerans (K): 1,5 m/s²

Arbetsläge: sågning av träbjälkar

Vibrationsemission (a_{n,WB}): 7,0 m/s²

Måttolerans (K): 1,5 m/s²

ENG901-1

- Det deklarerade vibrationsemissionsvärdet har uppmätts i enlighet med standardtestmetoden och kan användas för jämförandet av en maskin med en annan.
- Det deklarerade vibrationsemissionsvärdet kan också användas i preliminär bedömning av exponering för vibration.

⚠️ VARNING!

- Vibrationsemissionen under faktisk användning av maskinen kan skilja sig från det deklarerade emissionsvärdet, beroende på hur maskinen används.
- Se till att hitta säkerhetsåtgärder som kan skydda användaren och som grundar sig på en uppskattning av exponering i verkligheten (ta med i

beräkningen alla delar av användandet såsom antal gånger maskinen är avstängd och när den körs på tomgång samt då startomkopplaren används).

ENH101-17

Gäller endast Europa

EU-konformitetsdeklaration

Makita försäkras att följande maskiner:

Maskinbeteckning:

Batteridrivna tigersåg

Modellnummer/Typ: DJR143, DJR145, DJR183, DJR185

Följer följande EU-direktiv:

2006/42/EG

De är tillverkade i enlighet med följande standard eller standardiseringsdokument:

EN60745

Den tekniska dokumentationen i enlighet med 2006/42/EG finns tillgänglig från:

Makita, Jan-Baptist Vinkstraat 2, 3070, Belgium

31.12.2013



000331

Yasushi Fukaya

Direktör

Makita, Jan-Baptist Vinkstraat 2, 3070, Belgium

GEA010-1

Allmänna säkerhetsvarningar för maskin

⚠ VARNING Läs igenom alla säkerhetsvarningar och instruktioner. Underlåtenhet att följa varningar och instruktioner kan leda till elektrisk stöt, brand och/eller allvarliga personskador.

Spara alla varningar och instruktioner för framtida referens.

GEB048-2

SÄKERHETSVARNINGAR FÖR SLADDLÖS TIGERSÅG

1. Håll maskinen i de isolerade handtagen om det finns risk för att skärverktyget kan komma i kontakt med en dold elkabel. Om skärverktyget kommer i kontakt med en strömförande ledning blir maskinens metalldelar strömförande och kan ge operatören en elektrisk stöt.
2. Använd tvingar eller annat praktiskt för att säkra och stödja arbetsstycket på ett stabilt underlag. Att hålla arbetsstycket i händerna eller mot kroppen ger inte tillräckligt stöd och du kan förlora kontrollen.

3. Använd alltid skyddsglasögon. Vanliga glasögon och solglasögon är INTE skyddsglasögon.
4. Undvik att skära i spikar. Ta bort alla spikar i arbetsstycket innan du sågar.
5. Säg inte för stora arbetsstycken.
6. Kontrollera att det finns tillräckligt med fritt utrymme under arbetsstycket innan arbetet påbörjas så att sågbladet inte slår emot golvet, arbetsbänken etc.
7. Håll maskinen stadigt.
8. Se till att sågbladet inte är i kontakt med arbetsstycket innan du trycker på avtryckaren.
9. Håll händerna borta från rörliga delar.
10. Lämna inte maskinen igång. Använd endast maskinen när du håller den i händerna.
11. Stäng av maskinen och vänta tills bladet stannat helt innan bladet avlägsnas från arbetsstycket.
12. Rör inte vid bladet eller arbetsstycket omedelbart efter användning eftersom de kan vara mycket heta och orsaka brännskador.
13. Använd inte maskinen obelastad i onödan.
14. Använd alltid andningsskydd eller skyddsmask anpassat för det material du arbetar med när du slipar.
15. Vissa material kan innehålla giftiga kemikalier. Se till att du inte andas in damm eller får det på huden. Följ anvisningarna i leverantörens materialsäkerhetsblad.

SPARA DESSA ANVISNINGAR.

⚠ VARNING!

GLÖM INTE att noggrant följa säkerhetsanvisningarna för maskinen även efter det att du har blivit van att använda den. **OVARSAM** hantering eller underlåtenhet att följa säkerhetsanvisningarna i denna bruksanvisning kan leda till allvarliga personskador.

ENC007-8

VIKTIGA SÄKERHETSANVISNINGAR FÖR BATTERIKASSETT

1. Innan batterikassetten används ska alla instruktioner och varningsmärken på (1) batteriladdaren, (2) batteriet och (3) produkten läsas.
2. Montera inte isär batterikassetten.
3. Om driftstiden blivit avsevärt kortare ska användningen avbrytas omedelbart. Det kan uppstå överhettning, brännskador och t o m en explosion.
4. Om du får elektrolyt i ögonen ska de sköljas med rent vatten och läkare uppsöks

omedelbart. Det finns risk för att synen förloras.

5. **Kortslut inte batterikassetten.**
 - (1) **Rör inte vid polerna med något strömförande material.**
 - (2) **Undvik att förvara batterikassetten tillsammans med andra metallobjekt som t ex spikar, mynt etc.**
 - (3) **Skydda batteriet mot vatten och regn.**Ett kortslutet batteri kan orsaka ett stort strömlöflöde, överhettning, risk för brännskador och maskinen kan till och med gå sönder.
6. **Förvara inte maskinen och batterikassetten på platser där temperaturen kan nå eller överstiga 50 ° C (122 ° F).**
7. **Bränn inte upp batterikassetten även om den är svårt skadad eller helt utsliten. Batterikassetten kan explodera i öppen eld.**
8. **Var försiktig så att du inte råkar tappa batteriet och utsätt det inte för stötar.**
9. **Använd inte ett skadat batteri.**
10. **Följ lokala föreskrifter beträffande avfallshantering av batteriet.**

SPARA DESSA ANVISNINGAR.

Tips för att uppnå batteriets maximala livslängd

1. **Ladda batterikassetten innan den är helt urladdad.**
Sluta att använda maskinen och ladda batterikassetten när du märker att kraften avtar.
2. **Ladda aldrig en fulladdad batterikasset.**
Överladdning förkortar batteriets livslängd.
3. **Ladda batterikassetten vid rumstemperaturer mellan 10 ° C och 40 ° C (50 ° F - 104 ° F). Låt en varm batterikasset svalna innan den laddas.**
4. **Ladda batterikassetten om du inte har använt den på mer än sex månader.**

FUNKTIONSBESKRIVNING

⚠FÖRSIKTIGT!

- Se alltid till att maskinen är avstängd och batterikassetten borttagen innan du justerar eller kontrollerar maskinens funktioner.

Montera eller demontera batterikassetten

Fig.1

⚠FÖRSIKTIGT!

- Stäng alltid av maskinen innan du monterar eller tar bort batterikassetten.
- **Håll stadigt i maskinen och batterikassetten när du installerar eller tar bort batterikassetten.** Om du inte håller stadigt i maskinen och batterikassetten kan de halka ur dina händer och skadas samt orsaka personskada.

Ta bort batterikassetten genom att skjuta ner knappen på kassetten framsida samtidigt som du drar ut batterikassetten.

Sätt i batterikassetten genom att rikta in tungan på batterikassetten mot spåret i höljet och skjut den på plats. Tryck in batterikassetten ordentligt tills den låser fast med ett klick. Om du kan se den röda indikatorn på knappens ovansida är batterikassetten inte låst ordentligt.

⚠FÖRSIKTIGT!

- Sätt alltid i batterikassetten helt tills den röda indikatorn inte längre syns. I annat fall kan den oväntat falla ur maskinen och skada dig eller någon annan.
- Montera inte batterikassetten med våld. Om kassetten inte lätt glider på plats är den felinsatt.

Batteriskyddssystem (litium-ion-batteri med stjärnmarkering)

Fig.2

Litium-ion-batterier med en stjärnmarkering är utrustade med ett skyddssystem. Detta system bryter automatiskt strömmen till maskinen för att förlänga batteriets livslängd.

Maskinen stanna automatiskt under användningen om maskinen och/eller batteriet hamnar i en av följande situationer:

- **Överbelastad:**
Maskinen används på ett sätt som orsakar att den förbrukar onormalt mycket ström. I detta läge släpper du avtryckaren (reglage/knapp) på maskinen och stoppar aktiviteten som orsakar att maskinen blir överbelastad. Tryck sedan in avtryckaren (reglage/knapp) igen för att starta om. Om maskinen inte startar är batteriet överhettat. Låt då batteriet svalna innan du trycker in avtryckaren (reglage/knapp) igen.

- Batterispänningen faller:
Den kvarvarande batterikapaciteten är för låg och maskinen fungerar inte. I detta läge tar du bort batteriet och laddar det.

Avtryckarens funktion

⚠FÖRSIKTIGT!

- Innan du monterar batterikassetten i maskinen ska du alltid kontrollera att avtryckaren (reglage/knapp) fungerar och återgår till läget "OFF" när du släpper den.

Fig.3

Säkerhetsspärren-/knappen förhindrar att avtryckaren (reglage/knapp) oavsiktligt aktiveras.

Tryck in avtryckaren, antingen reglaget eller knappen, för att starta maskinen.

- För avtryckare med reglage ska du först trycka in säkerhetsspärren och sedan avtryckaren för att starta maskinen.
- För avtryckare med knapp ska du först trycka in säkerhetsknappen och sedan avtryckaren för att starta maskinen. Säkerhetsknappen kan tryckas in antingen från höger eller vänster sida.

Hastigheten ökar genom att du trycker hårdare på avtryckaren (reglage/knapp). Släpp avtryckaren (reglage/knapp) för att stanna maskinen.

OBSERVERA:

Tryck aldrig in avtryckaren (reglage/knapp) hårt utan att ha tryckt in säkerhetsspärren-/knappen. Det kan skada avtryckaren.

Tända frontlampan

Fig.4

⚠FÖRSIKTIGT!

- Titta inte in i ljuset eller direkt i ljuskällan.

Tryck på avtryckaren (reglage/knapp) för att tända lampan. Lampan lyser medan du håller in avtryckaren (reglage/knapp).

Lampan slocknar automatiskt 10 - 15 sekunder efter att du har släppt avtryckaren (reglage/knapp).

Inställning av anslag

Fig.5

När en del av bladet blir slött justerar du anslaget för att använda en vass, oanvänd del av skärtytan. Detta hjälper till att förlänga bladets livslängd.

För att justera anslaget ska du lossa bulten med insexnyckeln.

Flytta anslaget till önskat läge och därefter dra åt bulten ordentligt.

MONTERING

⚠FÖRSIKTIGT!

- Se alltid till att maskinen är avstängd och batterikassetten borttagen innan du underhåller maskinen.

Montering eller demontering av sågblad

⚠FÖRSIKTIGT!

- Ta alltid bort sågspån och främmande partiklar som fastnat på sågbladet, bladklämman och/eller bladföraren. I annat fall finns risk för att bladet inte sitter fast ordentligt, vilket kan resultera i allvarliga skador.

För modell DJR143, DJR183

Fig.6

Skjut in sågbladet för tigersåg i bladklämman så långt det går. Bladklämmans hylsa roteras och låser fast sågbladet. Kontrollera att sågbladet inte lossar även om du drar i det.

⚠FÖRSIKTIGT!

- Om du inte skjuter in sågbladet helt kan sågbladet lossa oväntat under sågningen. Det kan vara extremt farligt.

OBS!

- Det går inte att använda sågbladet för sticksåg med DJR143 eller DJR183.

Fig.7

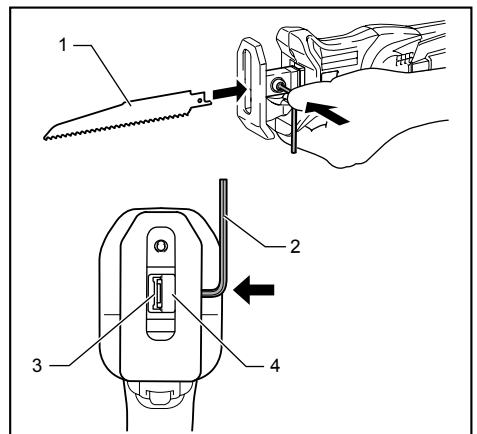
När du ska ta ur sågbladet vrider du bladklämmans hylsa helt i pilens riktning. Sågbladet plockas ur och bladklämmans hylsa är låst i frigjort läge.

OBS!

- Om du tar bort sågbladet utan att ha roterat bladklämmans hylsa helt, kan det leda till att hylsan inte låses fast. Rotera i så fall bladklämmans hylsa helt för att låsa den i det frigjorda läget.

För modell DJR145, DJR185

Fig.8

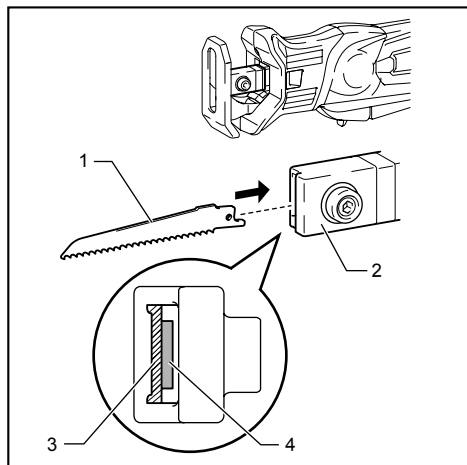


1. Sågblad för tigersåg
2. Insexnyckel
3. Hål för sågblad för tigersåg
4. Bladklämman

014048

Lossa bulten med insexnyckeln för att montera sågbladet.

Vid montering av ett sågblad för tigersåg ska du trycka på bulten med insexnyckeln för att öppna skåran när sågbladet sätts i.



1. Sågblad
2. Bladklämman
3. Hål för sågblad för tigersåg
4. Hål för sågblad för sticksåg

014047

Fig.9

Det går att använda både sågblad för sticksåg (typ B) och sågblad för tigersåg beroende på ditt arbete. Sätt i sågbladet rakt i bladklämman och dra åt den med insexnyckeln. Dra i sågbladet försiktigt för att kontrollera att det inte ramlar ur under användning.

Gör på omvänt sätt för att ta bort sågbladet.

Förvaring av insexnyckel

Fig.10

Förvara insexnyckeln enligt figuren när den inte används så att du alltid har den till hands.

ANVÄNDNING

⚠FÖRSIKTIGT!

- Håll alltid anslaget ordentligt tryckt mot arbetsstycket under användning. Om anslaget inte hålls dikt an mot arbetsstycket under användning får du kraftiga vibrationer och/eller vridningar, varvid risken för bladbrott är stort.
- Bär alltid handskar för att skydda dina händer från metallspån.
- Använd alltid skyddsglasögon enligt gällande föreskrifter.
- Använd alltid en lämplig kylvätska (skärolja) vid metallsågning. Utan kylning förlorar bladet skärpan i förtid.

Fig.11

Tryck anslaget ordentligt mot arbetsstycket. Maskinen får inte studsas. Låt sågbladet få lätt kontakt med arbetsstycket. Gör först ett styrspår i låg hastighet. Fortsätt sedan såga i en snabbare hastighet.

Fig.12

Fig.13

- Du kan använda avtryckaren (reglaget eller knappen) beroende på ditt arbete.

OBS!

- Om maskinen används löpande tills batteriet är tomt bör maskinen vila 15 minuter innan arbetet fortsätter med ett laddat batteri.

UNDERHÅLL

⚠FÖRSIKTIGT!

- Se alltid till att maskinen är avstängd och batterikassetten borttagen innan inspektion eller underhåll utförs.
- Använd inte bensin, thinner, alkohol eller liknande. Missfärgning, deformation eller sprickor kan uppstå.

För att upprätthålla produktens SÄKERHET och TILLFÖRLITLIGHET bör allt underhålls- och justeringsarbete utföras av ett auktoriserat Makita servicecenter och med reservdelar från Makita.

VALFRIA TILLBEHÖR

⚠FÖRSIKTIGT!

- Dessa tillbehör och tillsatser rekommenderas för användning tillsammans med den Makita-maskin som denna bruksanvisning avser. Om andra tillbehör eller tillsatser används kan det uppstå risk för personskador. Använd endast tillbehören eller tillsatserna för de syften de är avsedda för.

Kontakta ditt lokala Makita servicecenter om du behöver ytterligare information om dessa tillbehör.

- Sågblad för tigersåg
- Sågblad för sticksåg (endast för modell DJR145, DJR185)
- Makitas originalbatteri och -laddare

OBS!

- Några av tillbehören i listan kan vara inkluderade i maskinpaketet som standardtillbehör. De kan variera mellan olika länder.

NORSK (originalinstruksjoner)

Oversiktsforklaring

1-1. Rød indikator	4-1. Lampe	8-1. Sekskantnøkkel
1-2. Knapp	5-1. Sekskantnøkkel	8-2. Skruer
1-3. Batteri	5-2. Sekskantskrue	8-3. Løsne
2-1. Stjernemerking	5-3. Løsne	8-4. Stramme
3-1. AV-sperreknapp	6-1. Bajonettsgablad	10-1. Sekskantnøkkel
3-2. AV-sperrehendel	6-2. Bladklemmemansjett	10-2. Fremspring
3-3. Av/på-bryter	7-1. Sagblad	
3-4. Startbryter	7-2. Bladklemmemansjett	

TEKNISKE DATA

Modell	DJR143	DJR145	DJR183	DJR185
Slaglengde	13 mm			
Slag per minutt (min^{-1})	0 - 3 000			
Maks. Skjærekapasitet	Rør	50 mm		
	Tre	50 mm		
Total lengde	392 mm (med BL1415)		392 mm (med BL1815 / BL1815N / BL1820)	
	397 mm (med BL1430 / BL1440)		398 mm (med BL1830 / BL1840 / BL1850)	
Nettovekt	1,5 kg (med BL1415)		1,5 kg (med BL1815 / BL1815N / BL1820)	
	1,7 kg (med BL1430 / BL1440)		1,8 kg (med BL1830 / BL1840 / BL1850)	
Merkespenning	DC 14,4 V		DC 18 V	

- Som følge av vårt kontinuerlige forsknings- og utviklingsprogram kan de tekniske dataene endres uten ytterligere forvarsel.
- Tekniske data og batteri kan variere fra land til land.
- Vekt, med batteri, i henhold til EPTA-prosedyre 01/2003

ENE020-1

Beregnet bruk

Maskinen er beregnet på saging i tre, plast og jernholdige materialer.

ENG905-1

Støy

Typisk A-vektet lydtryknivå er bestemt i henhold til EN60745:

Modell DJR143, DJR185

Lydtryknivå (L_{pA}): 76 dB (A)

Usikkerhet (K): 3 dB (A)

Støynivået under arbeid kan overskride 80 dB (A).

Modell DJR145, DJR183

Lydtryknivå (L_{pA}): 77 dB (A)

Usikkerhet (K): 3 dB (A)

Støynivået under arbeid kan overskride 80 dB (A).

Bruk hørselvern

ENG900-1

Vibrasjon

Den totale vibrasjonsverdien (triaksial vektorsum) bestemt i henhold til EN60745:

Modell DJR143, DJR145

Arbeidsmodus: skjære fjøler

Genererte vibrasjoner ($a_{h,B}$): 7,0 m/s^2

Usikkerhet (K): 1,5 m/s^2

Arbeidsmodus: skjæring av trebjelker

Genererte vibrasjoner ($a_{h,WB}$): 7,0 m/s^2

Usikkerhet (K): 1,5 m/s^2

Modell DJR183, DJR185

Arbeidsmodus: skjære fjøler

Genererte vibrasjoner ($a_{h,B}$): 8,0 m/s^2

Usikkerhet (K): 1,5 m/s^2

Arbeidsmodus: skjæring av trebjelker

Genererte vibrasjoner ($a_{h,WB}$): 7,0 m/s^2

Usikkerhet (K): 1,5 m/s^2

ENG901-1

- Den angitte verdien for de genererte vibrasjonene er blitt målt i samsvar med standardtestmetoden og kan brukes til å sammenlikne et verktøy med et annet.
- Den angitte verdien for de genererte vibrasjonene kan også brukes til en foreløpig vurdering av eksponeringen.

ADVARSEL:

- De genererte vibrasjonene ved faktisk bruk av elektroverktøyet kan avvike fra den oppgitte

vibrasjonsverdien, avhengig av hvordan verktøyet brukes.

• Vær påpasselig med å finne sikkerhetstiltak som beskytter operatøren, basert på en oppfatning av risiko under faktiske bruksforhold (på bakgrunn av alle sider ved brukssyklusen, som når verktøyet slås av og når det går på tomgang, i tillegg til oppstarten).

ENH101-17

Gjelder bare land i Europa

EF-samsvarserklæring

Makita erklærer at følgende maskin(er):

Maskinbetegnelse:

Batteridrevet bajonettsg

Modellnr./type: DJR143, DJR145, DJR183, DJR185

Samsvarer med følgende europeiske direktiver:

2006/42/EC

De er produsert i henhold til følgende standarder eller standardiserte dokumenter:

EN60745

Den tekniske filen i samsvar med 2006/42/EF er tilgjengelig fra:

Makita, Jan-Baptist Vinkstraat 2, 3070, Belgia

31.12.2013



000331

Yasushi Fukaya
Direktør

Makita, Jan-Baptist Vinkstraat 2, 3070, Belgia

GEA010-1

Generelle advarsler angående sikkerhet for elektroverktøy

⚠ ADVARSEL Les alle sikkerhetsadvarslene og alle instruksjonene. Hvis du ikke følger alle advarslene og instruksjonene som er oppført nedenfor, kan det føre til elektriske støt, brann og/eller alvorlige helseskader.

Oppbevar alle advarsler og instruksjoner for senere bruk.

GEB048-2

SIKKERHETSADVARSLER FOR TRÅDLØS BAJONETTSG

1. Hold maskinen i det isolerte håndtaket når skjæreverktøyet kan komme i kontakt med skjulte ledninger under arbeidet. Hvis skjæreverktøyet får kontakt med strømførende ledninger, vil uisolerte metalldeleer av maskinen bli strømførende og kunne gi brukeren elektrisk støt.
2. Fest og støtt arbeidsstykket med klemmer eller på en annen praktisk måte, på et stabilt underlag. Hvis du holder arbeidsstykket med

hånden eller mot kroppen, vil det være ustabil og du kan komme til å miste kontrollen.

3. Du må alltid bruke vernebriller eller ansiktsvern. Vanlige briller eller solbriller er IKKE vernebriller.
4. Unngå å skjære i spiker. Se etter om det er spiker i arbeidsstykket, og fjern dem før du begynner arbeidet.
5. Ikke skjær for store arbeidsstykker.
6. Sjekk at det er plass nok bak arbeidsstykket før du begynner sagingen, så ikke bladet kommer til å treffe gulvet, arbeidsbenken e.l.
7. Hold maskinen godt fast.
8. Forviss deg om at bladet ikke er i kontakt med arbeidsstykket før du slår på startbryteren.
9. Hold hendene unna bevegelige deler.
10. Ikke gå fra verktøyet mens det er i gang. Verktøyet må bare brukes mens operatøren holder det i hendene.
11. Før du fjerner bladet fra arbeidsstykket, må du alltid slå av sagen og vente til bladet har stoppet helt.
12. Ikke berør bladet eller arbeidsstykket umiddelbart etter saging. Disse vil da være ekstremt varme, og du kan få brannskader.
13. Ikke bruk verktøyet uten belastning hvis det ikke er nødvendig.
14. Bruk alltid riktig støvmaske/pustemaske for det materialet og det bruksområdet du arbeider med.
15. Enkelte materialer inneholder kjemikalier som kan være giftige. Treff tiltak for å hindre hudkontakt og innånding av støv. Følg leverandørens sikkerhetsanvisninger.

TA VARE PÅ DISSE INSTRUKSENE.

⚠ ADVARSEL:

Selv om du har brukt produktet mye og føler deg fortlørlig med det, er det likevel svært viktig at du følger nøye de retningslinjene for sikkerhet som er utarbeidet for dette produktet. MISBRUK av verktøyet eller mislighold av sikkerhetsreglene i denne brukerhåndboken kan resultere i alvorlige helseskader.

ENC007-8

VIKTIGE SIKKERHETSINSTRUKSJONER FOR BATTERIET

1. Før du begynner å bruke batteriet, må du lese alle anvisninger og forsiktighetsregler på (1) batteriladeren, (2) batteriet og (3) det produktet batteriet skal brukes i.
2. Ikke ta fra hverandre batteriet.
3. Hvis driftstiden er blitt vesentlig kortere, må du omgående slutte å bruke maskinen. Hvis ikke kan resultatet bli overoppheting, mulige

- forbrenninger eller til og med en eksplosjon.
4. Hvis du får elektrolytt i øynene, må du skylle dem med store mengder rennende vann og oppsøke lege med én gang. Denne typen uhell kan føre til varig blindhet.
 5. Ikke kortslutt batteriet.
 - (1) Ikke berør batteripolene med ledende materialer.
 - (2) Ikke lagre batteriet i samme beholder som andre metallgjenstander, som for eksempel spiker, mynter osv.
 - (3) Ikke la batteriet komme i kontakt med vann eller regn.

En kortslutning av batteriet kan føre til et kraftig strømstøt, overoppheting, mulige forbrenninger og til og med til at batteriet går i stykker.

6. Ikke lagre maskinen og batteriet på steder hvor temperaturen kan komme opp i eller overskride 50 ° C (122 ° F).
7. Ikke sett fyr på batteriet, ikke engang om det er sterkt skadet eller helt utslitt. Batteriet kan eksplodere hvis det begynner å brenne.
8. Vær forsiktig så du ikke mister batteriet eller utsetter det for slag.
9. Ikke bruk batterier som er skadet.
10. Følg lokale bestemmelser for avhengig av batterier.

TA VARE PÅ DISSE INSTRUKSENE.

Tips for å opprettholde maksimal batterilevetid

1. Lad batteriet igjen før det er fullstendig utladet.
Hold alltid opp å bruke maskinen når du merker at det er lite strøm på batteriet. Sett batteriet til lading.
2. Et helt oppladet batteri må aldri settes til ny lading.
Overopplading forkorter batteriets levetid.
3. Lad batteriet ved romtemperatur ved 10 ° C - 40 ° C (50 ° F - 104 ° F). Hvis batteriet er varmt, må det få avkjøle seg før lading.
4. Lad batteriet én gang hver sjette måned hvis det ikke blir brukt i en lengre periode.

FUNKSJONSBEKRIVELSE

⚠FORSIKTIG:

- Forvis deg alltid om at maskinen er slått av og batteriet tatt ut før du justerer maskinen eller kontrollerer dens mekaniske funksjoner.

Sette inn eller ta ut batteri

Fig.1

⚠FORSIKTIG:

- Slå alltid av verktøyet før du setter inn eller fjerner batteriet.
- **Hold godt rundt maskinen og batteriet når du setter inn eller tar ut batteriet.** Hvis du mister ned maskinen eller batteriet, kan dette forårsake personskader eller skader på maskinen/batteriet.

For å ta ut batteriet må du skyve på knappen foran på batteriet og trekke det ut.

Når du skal sette inn batteriet, må du plassere tungen på batteriet på linje med sporet i huset og skyve batteriet på plass. Skyv det helt inn til det går i inngrep med et lite klikk. Hvis du kan se den røde anviseren på oversiden av knappen, er det ikke gått skikkelig i lås.

⚠FORSIKTIG:

- Batteriet må alltid settes helt inn, så langt at den røde anviseren ikke lenger er synlig. Hvis du ikke gjør dette, kan batteriet falle ut av maskinen og skade deg eller andre som oppholder seg i nærheten.
- Ikke bruk makt når du setter i batteriet. Hvis batteriet ikke gliir lett inn, er det fordi det ikke settes inn på riktig måte.

Beskyttelsessystem for batteri (litiumionbatteri med stjernemerking)

Fig.2

Litiumionbatterier med stjernemerking er utstyrt med et beskyttelsessystem. Dette systemet slår automatisk av strømmen til verktøyet for å forlenge batteriets levetid. Verktøyet stopper automatisk ved drift hvis det og/eller batteriet utsettes for en av følgende tilstander:

- Overbelastning:
Verktøyet brukes på en måte som gjør at det trekker uvanlig mye strøm.
I slike tilfeller må du slippe opp verktøyets startspake/utløser, og stoppe arbeidet som forårsaket at verktøyet ble overbelastet.
Trekke deretter i startspaken/utløseren igjen for å starte på nytt.
Hvis verktøyet ikke starter, er batteriet overbelastet. I slike tilfeller må du la batteriet kjøle seg ned før du drar i startspaken/utløseren igjen.
- Lav batterispenning:
Gjenværende batterikapasitet er for lav, og verktøyet vil ikke fungere. I dette tilfellet, fjern og lad batteriet opp igjen.

Bryterfunksjon

⚠FORSIKTIG:

- Før du setter batteriet inn i maskinen, må du alltid kontrollere at startspaken/utløseren aktiverer maskinen på riktig måte og går tilbake til "Av"-stilling når den slippes.

Fig.3

For å unngå at startspaken/utløseren trekkes i ved en feiltakelse, er maskinen utstyrt med en Av-sperreknapp.

For å starte verktøyet, trekk enten i startspake eller utløser.

- For startspaken, trekk i Av-sperrespaken og trekk deretter i startspaken for å starte verktøyet.
- For startutløseren, løs opp Av-sperreknappen og trekk deretter i startutløseren for å starte verktøyet. Av-sperreknappen kan trykkes enten fra høyre eller venstre.

Verktøyhastigheten økes ved å øke trykket på startspaken/utløseren. Slipp startspake/utløser for å stoppe maskinen.

OBS:

Trekk ikke hardt i startspaken/utløseren uten å trekke i Av-sperreknappen/spaken. Dette kan føre til at starteren blir ødelagt.

Tenne frontlampen

Fig.4

⚠FORSIKTIG:

- Ikke se inn i lyset eller se direkte på lyskilden.

Trekk i startspaken/utløseren for å tenne lampen. Lampen fortsetter å lyse så lenge startspaken/utløseren trekkes i.

Lampen slukkes automatisk 10 til 15 sekunder etter at startspaken/utløseren er sluppet opp.

Justere anleggsfoten

Fig.5

Når sagbladet er blitt slitt på et område kan man endre plasseringen av anleggsfoten for å få tilgang til et nytt område på bladet med skarpe tenner. Dette forlenger bladets levetid.

For å endre posisjon på anleggsfoten må du løsne boltene med sekskantnøkkelen.

Skyv anleggsfoten til ønsket posisjon, og stram deretter til boltene godt.

MONTERING

⚠FORSIKTIG:

- Forviss deg alltid om at maskinen er slått av og batteriet tatt ut før du utfører noe arbeid på maskinen.

Montere eller fjerne sagbladet

⚠FORSIKTIG:

- Pass alltid på å fjerne flis og fremmedlegemer som kleber til bladet, bladklemmen og/eller glidedelen. Hvis dette ikke gjøres, kan det bli vanskelig å stramme bladet ordentlig, noe som kan resultere i alvorlige helseskader.

For modell DJR143, DJR183

Fig.6

Sett bajonettsgabladet så langt inn i bladklemmen som det vil gå. Bladklemmemansjettene roteres og sagbladet festes. Sørg for at sagbladet ikke kan trekkes ut selv om du bevisst forsøker å gjøre det.

⚠FORSIKTIG:

- Hvis du ikke setter sagbladet dypt nok inn, kan det komme til å sprette ut helt uventet under saging. Dette kan være ekstremt farlig.

MERK:

- Løvsagbladet kan ikke brukes med DJR143 eller DJR183.

Fig.7

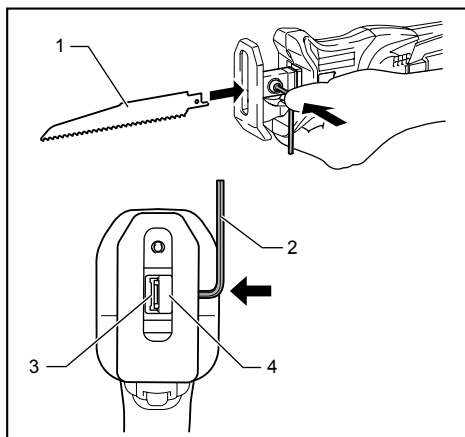
For å ta av sagbladet må du rotere bladklemmemansjettene fullstendig i pilens retning. Sagbladet er tatt av og bladklemmemansjettene festet i frigjort posisjon.

MERK:

- Hvis du fjerner sagbladet uten å dreie bladklemmemansjettene helt, vil mansjettene kanskje ikke festes. I så fall må du dreie bladklemmemansjettene helt, og så feste mansjettene i frigjort posisjon.

For modell DJR145, DJR185

Fig.8

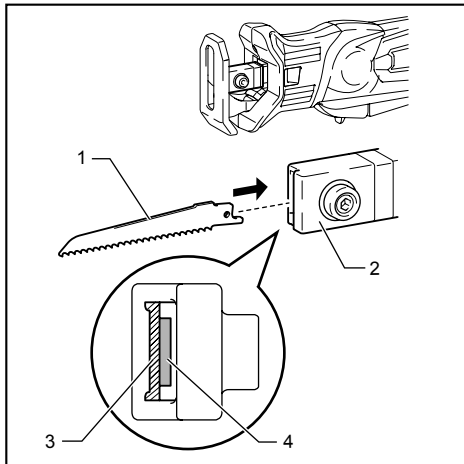


1. Bajonettsgagblad
2. Sekskantnøkkell
3. Hull for bajonettsgagblad
4. Bladklemme

014048

For å montere sagbladet, løsne boltene med en sekskantnøkkell.

Når du monterer et bajonettsgagblad, trykker du på boltene med sekskantnøkkellen for å åpne sporet for å sette inn bladet.



1. Sagblad
2. Bladklemme
3. Hull for bajonetsagblad
4. Hull for løvsagblad

014047

Fig.9

Du kan bruke både løvsagblader (type B) og bajonetsagblader som det passer til arbeidet ditt. Sett sagbladet rett inn i bladklemmen og stram til med sekskantnøkkelen. Dra lett i sagbladet for å sikre at det ikke vil falle av under drift.

Fjern bladet ved å følge installeringsfremgangsmåten i motsatt rekkefølge.

Oppbevare sekskantnøkkel

Fig.10

Når sekskantnøkkelen ikke er i bruk, må du oppbevare den som vist i figuren slik at du ikke mister den.

BRUK

⚠FORSIKTIG:

- Under arbeidet må du alltid trykke anleggsfoten godt mot arbeidsstykket. Hvis anleggsfoten ikke ligger an mot arbeidsstykket under saging, vil sagen begynne å vibrere og/eller vri seg kraftig, slik at bladet ryker. Dette er farlig!
- Bruk alltid hansker for å beskytte hendene dine mot varmt spon når du sager i metall.
- Du må alltid bruke egnede vernebriller som samsvarer med aktuelle nasjonale standarder.
- Når du sager i metall, må du alltid bruke et passende kjølemiddel (en passende sagolje). Hvis du ikke gjør det, vil bladet bli slitt før tiden.

Fig.11

Trykk anleggsfoten godt mot arbeidsstykket. Ikke la verktøyet hoppe. Sett bladet forsiktig an mot arbeidsstykket. Lag først et styrespor med lavt turtall.

Bruk deretter et høyere turtall til å fortsette sagingen.

Fig.12

Fig.13

- Du kan bruke startspaken eller utløseren som det passer til arbeidet ditt.

MERK:

- Hvis verktøyet brukes kontinuerlig inntil batteriet er utladet, må du la verktøyet hvile i 15 minutter før du fortsetter med et nytt batteri.

VEDLIKEHOLD

⚠FORSIKTIG:

- Forviss deg alltid om at maskinen er slått av og batteriet tatt ut før du foretar inspeksjon eller vedlikehold.
- Aldri bruk gasolin, bensin, tynner alkohol eller lignende. Det kan føre til misfarging, deformering eller sprekkdannelse.

For å opprettholde produktets SIKKERHET og PÅLITELIGHET, må reparasjoner, vedlikehold og justeringer utføres av Makitas autoriserte servicesentre, og det må alltid brukes reservedeler fra Makita.

VALGFRITT TILBEHØR

⚠FORSIKTIG:

- Det anbefales at du bruker dette tilbehøret eller verktøyet sammen med den Makita-maskinen som er spesifisert i denne håndboken. Bruk av annet tilbehør eller verktøy kan forårsake helseskader. Tilbehør og verktøy må kun brukes til det formålet det er beregnet på.

Ta kontakt med ditt lokale Makita-servicesenter hvis du trenger mer informasjon om dette tilbehøret.

- Bajonetsagblader
- Løvsagblader (kun for modell DJR145, DJR185)
- Makita originalbatteri og lader

MERK:

- Enkelte elementer i listen kan være inkludert som standardtilbehør i verktøypakken. Elementene kan variere fra land til land.

SUOMI (alkuperäiset ohjeet)

Yleisselostus

1-1. Punainen ilmaisin	4-1. Lamppu	8-1. Kuusioavain
1-2. Painike	5-1. Kuusioavain	8-2. Pultti
1-3. Akku	5-2. Kuusiopultti	8-3. Löysää
2-1. Tähtimerkintä	5-3. Löysää	8-4. Kiristä
3-1. Lukituksen vapautuskytkin	6-1. Puukkosahanterä	10-1. Kuusioavain
3-2. Lukituksen vapautusvipu	6-2. Terän kiinnitysholkki	10-2. Ulkonema
3-3. Kytökinvipu	7-1. Sahanterä	
3-4. Liipaisinkytkin	7-2. Terän kiinnitysholkki	

TEKNISET TIEDOT

Malli	DJR143	DJR145	DJR183	DJR185
Iskunpituus	13 mm			
Iskua minuutissa (min ⁻¹)	0 - 3 000			
Maks. Leikkauskaasiteetit	Putki	50 mm		
	Puu	50 mm		
Kokonaispituus	392 mm (BL1415)		392 mm (BL1815 / BL1815N / BL1820)	
	397 mm (BL1430 / BL1440)		398 mm (BL1830 / BL1840 / BL1850)	
Nettopaino	1,5 kg (BL1415)		1,5 kg (BL1815 / BL1815N / BL1820)	
	1,7 kg (BL1430 / BL1440)		1,8 kg (BL1830 / BL1840 / BL1850)	
Nimellisjännite	DC 14,4 V		DC 18 V	

• Jatkuvan tutkimus- ja kehitysohjelman vuoksi pidätämme oikeuden muuttaa tässä mainittuja teknisiä ominaisuuksia ilman ennakoilmoitusta.

• Tekniset ominaisuudet ja akku saattavat vaihdella maakohtaisesti.

• Paino akku mukaan lukien EPTA-Procedure 01/2003 mukaan

ENE020-1

Käyttötarkoitus

Työkalu on tarkoitettu puun, muovin ja metallien sahaamiseen.

ENG905-1

Melutaso

Tyypillinen A-painotettu melutaso määräytyy EN60745-standardin mukaan:

Malli DJR143, DJR185

Äänenpainetaso (L_{pA}): 76 dB (A)

Virhemarginaali (K): 3 dB (A)

Työskentelyn aikana melutaso voi ylittää 80 dB (A).

Malli DJR145, DJR183

Äänenpainetaso (L_{pA}): 77 dB (A)

Virhemarginaali (K): 3 dB (A)

Työskentelyn aikana melutaso voi ylittää 80 dB (A).

Käytä kuulosuojaimia

ENG900-1

Tärinä

Värähtelyn kokonaisarvo (kolmiakselivektorin summa) on määritelty EN60745mukaan:

Malli DJR143, DJR145

Työmenetelmä: levyjen sahaus

Tärinäpäästö ($a_{h,B}$): 7,0 m/s²

Virhemarginaali (K): 1,5 m/s²

Työmenetelmä: puupalkkien sahaaminen

Tärinäpäästö ($a_{h,WB}$): 7,0 m/s²

Virhemarginaali (K): 1,5 m/s²

Malli DJR183, DJR185

Työmenetelmä: levyjen sahaus

Tärinäpäästö ($a_{h,B}$): 8,0 m/s²

Virhemarginaali (K): 1,5 m/s²

Työmenetelmä: puupalkkien sahaaminen

Tärinäpäästö ($a_{h,WB}$): 7,0 m/s²

Virhemarginaali (K): 1,5 m/s²

ENG901-1

- Ilmoitettu tärinäpäästöarvo on mitattu standarditestausten mukaisesti, ja sen avulla voidaan vertailla työkaluja keskenään.
- Ilmoitettua tärinäpäästöarvoa voidaan käyttää myös altistumisen alustavaan arviointiin.

⚠VAROITUS:

- Työkalun käytön aikana mitattu todellinen tärinäpäästöarvo voi poiketa ilmoitetusta tärinäpäästöarvosta työkalun käyttötavan mukaan.
- Selvitä käyttäjän suojaamiseksi tarvittavat varotoimet todellisissa käyttöolosuhteissa tapahtuvan arvioidun altistumisen mukaisesti (ottaen huomioon käyttöjakso kokonaisuudessaan, myös jaksot, joiden aikana työkalu on sammutettuna tai käy tyhjäkäynnillä).

ENH101-17

Koskee vain Euroopan maita

VAKUUTUS EC-VASTAAVUUDESTA

Makita ilmoittaa, että seuraava(t) kone(et)

Koneen tunnistetiedot:

Akkukäyttöinen puukkosaha

Mallinro/tyyppi: DJR143, DJR145, DJR183, DJR185

Täyttävät seuraavien eurooppalaisten direktiivien vaatimukset:

2006/42/EC

On valmistettu seuraavien standardien tai standardoitujen asiakirjojen mukaisesti:

EN60745

Direktiivin 2006/42/EY mukaiset tekniset tiedot ovat saatavissa seuraavasta osoitteesta:

Makita, Jan-Baptist Vinkstraat 2, 3070, Belgium

31.12.2013



000331

Yasushi Fukaya
Johtaja

Makita, Jan-Baptist Vinkstraat 2, 3070, Belgium

GEA010-1

Sähkötyökalujen käyttöä koskevat varoitukset

⚠VAROITUS Lue kaikki turvallisuusvaroitukset ja käyttöohjeet. Varoitusten ja ohjeiden noudattamatta jättäminen voi johtaa sähköiskuun, tulipaloon ja/tai vakavaan vammautumiseen.

Säilytä varoitukset ja ohjeet tulevaa käyttöä varten.

GEB048-2

AKKUKÄYTTÖISEN PUUKKOSAHAN TURVALLISUUSOHJEET

1. Kun suoritat toimenpidettä, jossa leikkaustyökalu voi joutua kosketukseen piilossa olevien johtojen kanssa, pidä kiinni työkalusta sen eristetyin

tarttumispinnan kohdalta. Jos leikkaustyökalu joutuu kosketukseen jännitteisen johdon kanssa, jännite voi siirtyä työkalun sähköä johtaviin metalliosiin ja aiheuttaa käyttäjälle sähköiskun.

2. **Käytä puristimia tai muuta käytännöllistä tapaa kiinnittää ja tukea työ tukevaan jalustaan.** Työn pitäminen kädessä tai vasten vartaloa jättää sen epävakaaaksi ja voi johtaa hallinnan menetykseen.
3. **Käytä aina suojalaseja. Tavalliset silmä- tai aurinkolasit EIVÄT ole suojalaseja.**
4. **Vältä katkaisemasta nauloja. Tarkasta, onko työkappaleessa nauloja, ja poista ne ennen käyttöä.**
5. **Älä leikkaa ylisuuria työkappaleita.**
6. **Tarkista ennen leikkaamista, että työkappaleen takana on tarpeeksi tilaa, jotta terä ei osu lattiaan, työpöytään tai vastaavaan.**
7. **Pidä työkalua tiukasti.**
8. **Varmista, että terä ei kosketa työkappaletta, ennen kuin painat kytkintä.**
9. **Pidä kädet poissa liikkuvien osien luota.**
10. **Älä jätä konetta käymään itseksensä. Käytä laitetta vain silloin, kun pidät sitä kädessä.**
11. **Sammuta laite ja odota, että terä pysähtyy täysin, aina ennen kuin irrotat terän työkappaleesta.**
12. **Älä kosketa terää tai työkappaletta välittömästi käytön jälkeen, sillä ne voivat olla erittäin kuumia ja saattavat polttaa ihoa.**
13. **Älä käytä työkalua tarpeettomasti ilman kuormaa.**
14. **Käytä aina työstettävän materiaalin ja käyttötarkoituksen mukaan valittua pölynaamariala/hengityssuojainta.**
15. **Jotkin materiaalit sisältävät kemikaaleja, jotka voivat olla myrkyllisiä. Huolehdi siitä, että pölyn sisäänhengittäminen ja ihokosketus estetään. Noudata materiaalin toimittajan turvaohjeita.**

SÄILYÄ NÄMÄ OHJEET.

⚠VAROITUS:

ÄLÄ anna työkalun helppokäyttöisyyden tai toistuvan käytön tuudittaa sinua väärään turvallisuuden tunteeseen niin, että laiminlyöt työkalun turvaohjeiden noudattamisen. **VÄÄRINKÄYTTÖ** tai tämän käyttöohjeen turvamääräysten laiminlyönti voi johtaa vakaviin henkilövahinkoihin.

ENC007-8

TÄRKEITÄ TURVAOHJEITA AKKU

1. Ennen akun käyttöönottoa tutustu kaikkiin laturissa (1), akussa (2) ja akkukäyttöisessä tuotteessa (3) oleviin varoitusteksteihin.

2. Älä pura akkua.
3. Jos akun toiminta-aika lyhenee merkittävästi, lopeta akun käyttö. Seurauksena voi olla ylikuumentuminen, palovammoja tai jopa räjähdys.
4. Jos akkuneustettä pääsee silmiin, huuhtele puhtaalla vedellä ja hakeudu välittömästi lääkärin hoitoon. Akkuneuste voi aiheuttaa sokeutumisen.
5. Älä oikosulje akkua.
 - (1) Älä koske akun napoihin millään sähköä johtavalla materiaalilla.
 - (2) Vältä akun oikosulkemista äläkä säilytä akkua yhdessä muiden metalliesineiden, kuten naulojen, kolikoiden ja niin edelleen kanssa.
 - (3) Älä altista akkua vedelle tai sateelle. Akun oikosulku voi aiheuttaa voimakkaan sähkövirran, palovammoja ja jopa laitteen rikkoutumisen.
6. Älä säilytä työkalua ja akkua paikassa, jossa lämpötila voi nousta 50 ° C:een tai sitäkin korkeammaksi.
7. Älä hävitä akkua polttamalla, vaikka se olisi pahoin vaurioitunut tai täysin loppuun kulunut. Avotuli voi saada akun räjähtämään.
8. Varo kolhimasta tai pudottamasta akkua.
9. Älä käytä viallista akkua.
10. Hävitä akku paikallisten määräysten mukaisesti.

SÄILYÄ NÄMÄ OHJEET.

Vihjeitä akun käyttöiän pidentämiseksi

1. Lataa akku ennen kuin se ehtii purkautua kokonaan. Lopeta työkalun käyttö ja lataa akku aina, kun huomaat tehon heikkenevän.
2. Älä koskaan lataa täyttä akkua. Ylilataus lyhentää akun käyttöikä.
3. Lataa akku huoneenlämmössä 10 ° C-40 ° C. Anna kuuman akun jäähtyä ennen latausta.
4. Lataa akku kuuden kuukauden välein, jos sitä ei käytetä pitkään aikaan.

TOIMINTOJEN KUVAUS

⚠HUOMIO:

- Varmista aina ennen säätöjä ja tarkastuksia, että työkalu on sammutettu ja akku irrotettu.

Акун asentaminen tai irrottaminen

Kuva1

⚠HUOMIO:

- Sammuta työkalu aina ennen akun kiinnittämistä tai irrottamista.
- **Pidä työkalusta ja akusta tiukasti kiinni, kun irrotat tai kiinnität akkua.** Jos akku tai työkalu putoaa, ne voivat vaurioitua tai aiheuttaa loukkaantumisen.

Irrota akku painamalla akun etupuolella olevaa painiketta ja vetämällä akku ulos työkalusta.

Kiinnitä akku sovittamalla akun kieleke rungon uraan ja työntämällä akku sitten paikoilleen. Työnnä akku pohjaan asti niin, että kuulet sen napsahtavan paikoilleen. Jos painikkeen yläpuolella näkyy punainen ilmaisin, akku ei ole lukkiutunut täysin paikoilleen.

⚠HUOMIO:

- Työnnä akku aina pohjaan asti, niin että punainen ilmaisin ei enää näy. Jos akku ei ole kunnolla paikallaan, se voi pudota työkalusta ja aiheuttaa vammoja joko käyttäjälle tai sivullisille.
- Älä käytä voimaa akun asennuksessa. Jos akku ei mene paikalleen helposti, se on väärässä asennossa.

Акун suojausjärjestelmä

(tähtimerkinnällä merkitty litiumioniakku)

Kuva2

Tähtimerkinnällä merkityssä litiumioniakussa on suojausjärjestelmä. Tämä järjestelmä pidentää akun käyttöikä katkaisemalla automaattisesti virran työkaluun.

Työkalu voi pysähtyä automaattisesti kesken käytön, jos työkalussa tai akussa ilmenee jokin seuraavista tilanteista:

- Ylikuormitus:
Työkalua käytetään tavalla, joka saa sen kuluttamaan epätavallisen paljon virtaa. Vapauta silloin työkalun liipaisin- tai vipukytkin ja lopeta ylikuormitustilan aiheuttanut käyttö. Käynnistä sen jälkeen työkalu uudelleen painamalla liipaisin- tai vipukytkintä.
Jos työkalu ei käynnisty, akku on ylikuumentunut. Anna silloin akun jäähtyä, ennen kuin painat liipaisin- tai vipukytkintä uudelleen.
- Alhainen akun jännite:
Акун varaus ei riitä työkalun käyttämiseen. Irrota silloin akku ja lataa se.

Kytkimen käyttäminen

⚠️HUOMIO:

- Tarkista aina ennen akun kiinnittämistä työkaluun, että liipaisin- tai vipukytkin toimii oikein ja palaa OFF-asentoon, kun se vapautetaan.

Kuva3

Laitteessa on lukituksen vapautuspainike tai -vipu, joka estää liipaisin- tai vipukytkimen painamisen vahingossa.

Käynnistä työkalu painamalla liipaisin- tai vipukytkintä.

- Jos kyseessä on vipukytkin, käynnistä työkalu painamalla ensin lukitusvipua ja sitten vipukytkintä.
- Jos kyseessä on liipaisinkytkin, käynnistä työkalu painamalla ensin lukituspainiketta ja sitten liipaisinkytkintä. Lukituksen vapautuspainike voidaan painaa sisään vasemmalta tai oikealta puolelta.

Mitä voimakkaammin liipaisin- tai vipukytkintä tai painetaan, sitä nopeammin terä pyörii. Sammuta työkalu vapauttamalla liipaisin- tai vipukytkin.

HUOMAUTUS:

Älä paina liipaisin- tai vipukytkintä voimakkaasti, ellei samalla paina lukituksen vapautusvipua. Kytkin voi rikkoutua.

Etulampun syyttäminen

Kuva4

⚠️HUOMIO:

- Älä katso suoraan lamppuun tai valonlähteeseen. Lamppu syttyy, kun painat liipaisin- tai vipukytkintä. Lamppu palaa niin kauan kuin liipaisin- tai vipukytkin on painettuna.

Lamppu sammuu automaattisesti 10–15 sekunnin kuluttua liipaisin- tai vipukytkimen painamisesta.

Kengän säätö

Kuva5

Kun terän leikkausteho katoaa sen leikkaavan reunan yhdestä kohdasta, vaihda kengän asentoa, niin voit käyttää leikkaavan reunan terävää, käyttämätöntä osaa. Tämä auttaa pidentämään terän käyttöikää.

Kun haluat muuttaa kengän asentoa, kierrä ruuvi löysälle kuusioavaimella.

Työnnä kenkä haluamaasi asentoon ja kiristä ruuvi tiukasti.

KOKOONPANO

⚠️HUOMIO:

- Varmista aina ennen mitään työkalulle tehtäviä toimenpiteitä, että se on sammutettu ja akku irrotettu.

Sahanterän asennus tai irrotus

⚠️HUOMIO:

- Poista aina terään, terän kiinnikkeeseen ja/tai liukuohjaimen tarttuneet lastut tai vieraat aineet. Jos näin ei tehdä, terää ei ehkä voi kiristää tarpeeksi, mikä voi aiheuttaa vakavia vammoja.

Mallit DJR143 ja DJR183

Kuva6

Työnnä puukkosahanterä niin syvälle terän kiinnitysholkkiin kuin se menee. Terän kiinnitysholkki lukitsee sahanterän paikalleen, kun sitä käännetään. Varmista, että sahanterä ei irtoa vetämällä.

⚠️HUOMIO:

- Jos terää ei ole kiinnitetty kunnolla, se saattaa irrota yllättäen käytön aikana. Tämä voi olla hyvin vaarallista.

HUOMAUTUS:

- Mallien DJR143 ja DJR183 kanssa ei voi käyttää lehtisahanterää.

Kuva7

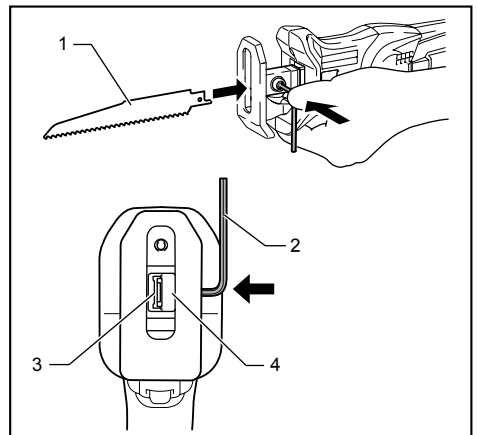
Irrota sahanterä kääntämällä terän kiinnitysholkki loppuun asti nuolen osoittamaan suuntaan. Sahanterä irtoaa ja terän kiinnitysholkki lukittuu auki-asentoon.

HUOMAUTUS:

- Jos irrotat sahanterän ilman, että kiertäisit terän kiinnitysholkkia täysin, holkki ei kiinnity. Tässä tapauksessa kierrä terän kiinnitysholkki loppuun asti, ja kiinnitä holkki auki-asentoon.

Mallit DJR145 ja DJR185

Kuva8

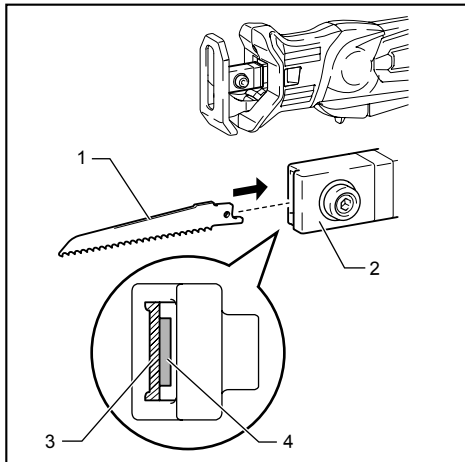


1. Puukkosahanterä
2. Kuusioavain
3. Puukkosahanterän aukko
4. Terän kiristin

014048

Kun haluat asentaa sahanterän, löysää pultti kuusioavaimella.

Kun asennat puukkosahanterän, avaa asennuskoloa asennuksen aikana painamalla pulttia kuusioavaimella.



1. Sahanteriä
2. Terän kiristin
3. Puukkosahanterän aukko
4. Lehtisahanterän aukko

014047

Kuva9

Voit käyttää tarpeen mukaan joko lehtisahanteriä (tyyppi B) tai puukkosahanteriä. Työnnä sahanteriä terän kiinnitysholkkiin ja kiristä se paikalleen kuusioavaimella. Varmista, ettei sahanteriä pääse irtoamaan käytön aikana, vetämällä terää kevyesti. Sahanteriä irrotetaan päinvastaisessa järjestyksessä.

Kuusioavaimen varastointi

Kuva10

Säilytä kuusioavainta kuvan osoittamassa paikassa, ettei se pääse katoamaan.

TYÖSKENTELY

⚠HUOMIO:

- Paina kenkä aina tiukasti työkalua vasten toiminnan aikana. Jos kenkä on irti työkalusta käytön aikana, terä värisee voimakkaasti ja/tai vääntyy, jolloin terä napsahtaa poikki aiheuttaen vaaratilanteen.
- Suojaa kätesi kuumilta lentäviltä lastuilta pitämällä käsineitä aina, kun leikkaat metallia.
- Käytä aina sopivia, voimassaolevia kansalliset normit täyttäviä suojalaseja.
- Käytä aina sopivaa jäähdytysainetta (leikkuuöljyä), kun leikkaat metallia. Muuten seurauksena on terän enneaikainen kuluminen.

Kuva11

Paina kenkä tiukasti työkalua vasten. Älä anna työkalun pomppia. Anna sahanterän koskettaa kevyesti työkalua. Tee ensin ohjausura pienemmällä nopeudella. Jatka sitten sahaamista suuremmalla nopeudella.

Kuva12

Kuva13

- Voit käyttää liipaisinkytkintä tai vipukytkintä tarpeen mukaan.

HUOMAUTUS:

- Jos työkalua käytetään jatkuvasti niin pitkään, että akku tyhjenee, anna työkalun seistä 15 minuuttia ennen kuin jatkat työskentelyä uudella akulla.

KUNNOSSAPITO

⚠HUOMIO:

- Varmista aina ennen tarkastusta tai huoltoa, että työkalu on sammutettu ja akku irrotettu.
- Älä koskaan käytä bensiiniä, ohentimia, alkoholia tai tms. aineita. Muutoin pinta voi halkeilla tai sen värit ja muoto voivat muuttua.

Koneen TURVALLISUUDEN ja LUOTETTAVUUDEN säilyttämiseksi korjaukset sekä muut huoltotoimet ja säädöt on jätettävä Makitan valtuuttaman huollon tehtäväksi käyttäen aina Makitan alkuperäisiä varaosia.

LISÄVARUSTEET

⚠HUOMIO:

- Näitä lisävarusteita ja -laitteita suositellaan käytettäväksi tässä ohjekirjassa mainitun Makitan koneen kanssa. Minkä tahansa muun lisävarusteen tai -laitteen käyttäminen voi aiheuttaa loukkaantumisvaaran. Käytä lisävarusteita ja -laitteita vain niiden käyttötarkoituksen mukaisesti.

Jos tarvitset apua tai yksityiskohtaisempia tietoja seuraavista lisävarusteista, ota yhteys paikalliseen Makitan huoltoon.

- Puukkosahanterät
- Lehtisahanterät (vain mallit DJR145 ja DJR185)
- Aito Makitan akku ja laturi

HUOMAUTUS:

- Jotkin luettelossa mainitut varusteet voivat sisältyä työkalun toimitukseen vakiovarusteina. Ne voivat vaihdella maittain.

LATVIEŠU (oriģinālās instrukcijas)

Kopskata skaidrojums

1-1. Sarkans indikators	4-1. Lampa	8-1. Sešstūra atslēga
1-2. Poga	5-1. Sešstūra atslēga	8-2. Bultskrūve
1-3. Akumulatora kasetne	5-2. Seššķautņu bultskrūve	8-3. Atskrūvēt
2-1. Zvaigznes emblēma	5-3. Atskrūvēt	8-4. Savilkt
3-1. Atbloķēšanas poga	6-1. Ripzāģa asmens	10-1. Sešstūra atslēga
3-2. Atbloķēšanas svira	6-2. Asmens spīlējuma uzmava	10-2. Izcilnis
3-3. Slēdzis	7-1. Zāģa asmens	
3-4. Slēdža mēlīte	7-2. Asmens spīlējuma uzmava	

SPECIFIKĀCIJAS

Modelis	DJR143	DJR145	DJR183	DJR185
Gājiena garums	13 mm			
Gājieni minūtē (min ⁻¹)	0 - 3 000			
Maks. griešanas jauda	Caurule	50 mm		
	Koksne	50 mm		
Kopējais garums	392 mm (ar BL1415)		392 mm (ar BL1815 / BL1815N / BL1820)	
	397 mm (ar BL1430 / BL1440)		398 mm (ar BL1830 / BL1840 / BL1850)	
Neto svars	1,5 kg (ar BL1415)		1,5 kg (ar BL1815 / BL1815N / BL1820)	
	1,7 kg (ar BL1430 / BL1440)		1,8 kg (ar BL1830 / BL1840 / BL1850)	
Nominālais spriegums	Līdzstrāva 14,4 V		Līdzstrāva 18 V	

- Dēļ mūsu nepārtrauktās pētniecības un izstrādes programmas, šeit dotās specifikācijas var mainīties bez brīdinājuma.
- Specifikācijas un akumulatora kasetne dažādās valstīs var atšķirties.
- Svārs ar akumulatora kasetni atbilstošs EPTA procedūrai 01/2003

ENE020-1

ENG900-1

Paredzētā lietošana

Šis darbarīks ir paredzēts koka, plastmasas un dzelzs materiālu zāģēšanai.

ENG905-1

Troksnis

Tipiskais A-svērtais trokšņa līmenis ir noteikts saskaņā ar EN60745:

Modelis DJR143, DJR185

Skaņas spiediena līmenis (L_{pA}): 76 dB (A)

Neskaidrība (K): 3 dB (A)

Darbības laikā trokšņa līmenis var pārsniegt 80 dB (A).

Modelis DJR145, DJR183

Skaņas spiediena līmenis (L_{pA}): 77 dB (A)

Neskaidrība (K): 3 dB (A)

Darbības laikā trokšņa līmenis var pārsniegt 80 dB (A).

Lietojiet ausu aizsargus

Vibrācija

Vibrācijas kopējā vērtība (trīs asu vektora summa) noteikta saskaņā ar EN60745:

Modelis DJR143, DJR145

Darba režīms: plātņu zāģēšana

Vibrācijas emisija ($a_{h,B}$): 7,0 m/s²

Neskaidrība (K): 1,5 m/s²

Darba režīms: koka bāļņu zāģēšana

Vibrācijas emisija ($a_{h,WB}$): 7,0 m/s²

Neskaidrība (K): 1,5 m/s²

Modelis DJR183, DJR185

Darba režīms: plātņu zāģēšana

Vibrācijas emisija ($a_{h,B}$): 8,0 m/s²

Neskaidrība (K): 1,5 m/s²

Darba režīms: koka bāļņu zāģēšana

Vibrācijas emisija ($a_{h,WB}$): 7,0 m/s²

Neskaidrība (K): 1,5 m/s²

ENG901-1

- Paziņotā vibrācijas emisijas vērtība noteikta atbilstoši standarta pārbaudes metodei un to var izmantot, lai salīdzinātu vienu darbarīku ar citu.
- Paziņoto vibrācijas emisijas vērtību arī var izmantot iedarbības sākotnējā novērtējumā.

⚠️ BRĪDINĀJUMS:

- Reāli lietojot mehanizēto darbarīku, vibrācijas emisija var atšķirties no paziņotās emisijas vērtības atkarībā no darbarīka izmantošanas veida.
- Lai aizsargātu lietotāju, nosakiet drošības pasākumus, kas pamatoti ar iedarbību reālos darba apstākļos (ņemot vērā visus ekspluatācijas cikla posmus, piemēram, laiku, kamēr darbarīks ir izslēgts un kad darbojas tukšgaitā, kā arī palaišanas laiku).

ENH101-17

Tikai Eiropas valstīm

EK Atbilstības deklarācija

Makita paziņo, ka šāds instruments(-i):

Instrumenta nosaukums:

Bezvada zobenzāģis

Modeļa Nr./veids: DJR143, DJR145, DJR183, DJR185

Atbilst sekojošām Eiropas Direktīvām:

2006/42/EC

Ražots saskaņā ar šādu standartu vai normatīvajiem dokumentiem:

EN60745

Tehniskā lieta atbilstīgi 2006/42/EK ir pieejama:

Makita, Jan-Baptist Vinkstraat 2, 3070, Beļģija

31.12.2013

000331

Yasushi Fukaya

Direktors

Makita, Jan-Baptist Vinkstraat 2, 3070, Beļģija

GEA10-1

Vispārējie mehanizēto darbarīku drošības brīdinājumi

⚠️ BRĪDINĀJUMS Izlasiet visus drošības brīdinājumus un visus norādījumus. Brīdinājumu un norādījumu neievērošanas gadījumā var rasties elektriskās strāvas trieciens, ugunsgrēks un/vai nopietnas traumas.

Glabājiet visus brīdinājumus un norādījumus, lai varētu tajos ieskatīties turpmāk.

GEB048-2

DROŠĪBAS BRĪDINĀJUMI BEZVADU ZOBENZĀĢA LIETOŠANAI

1. Veicot darbu, turiet mehanizēto darbarīku aiz izolētajām satveršanas virsmām, ja griešanas darbarīks varētu saskarties ar aplsētu

elektroinstalāciju vai ar savu vadu. Ja griešanas darbarīks saskarsies ar vadu, kurā ir strāva, visas darbarīka ārējās metāla virsmas vadīs strāvu un radīs elektriskās strāvas triecienu risku.

2. Izmantojot skavas, vai citā praktiskā veidā nostipriniet un atbalstiet apstrādājamo materiālu pret stabilu platformu. Turot materiālu ar roku vai pie sava ķermeņa, tas ir nestabilā stāvoklī, un jūs varat zaudēt kontroli pār to.
3. Vienmēr lietojiet aizsargbrilles. Parastās brilles vai saulesbrilles NAV aizsargbrilles.
4. Negrieziet naglas. Pirms sākt darbu pārbaudiet, vai apstrādājamā materiālā nav naglas, un tās izņemiet.
5. Negrieziet pārāk lielu apstrādājamo materiālu.
6. Pirms griešanas pārbaudiet, vai starp apstrādājamo materiālu ir pietiekams attālums, lai asmens nepieskartos grīdai, darbagaldam u.c.
7. Turiet darbarīku stingri.
8. Pirms slēdža ieslēgšanas pārliecinieties, vai asmens nepieskaras apstrādājamam materiālam.
9. Netuviniet rokas kustīgajām daļām.
10. Neatstājiet ieslēgtu darbarīku. Darbiniet darbarīku vienīgi tad, ja turat to rokās.
11. Pirms asmens izņemšanas no apstrādājamā materiāla vienmēr izslēdziet darbarīku un pagaidiet, kamēr asmens pilnībā apstājas.
12. Nepieskarieties asmenim vai apstrādājamam materiālam tūlīt pēc darba veikšanas; tie var būt ļoti karsti un var apdedzināt ādu.
13. Lieki nedarbiniet darbarīku bez slodzes.
14. Vienmēr izmantojiet materiālam un konkrētam gadījumam piemērotu putekļu masku/respiratoru.
15. Daži materiāli satur ķīmiskas vielas, kuras var būt toksiskas. Izvairieties no putekļu ieelpošanas un to nokļūšanas uz ādas. Ievērojiet materiāla piegādātāja drošības datus.

SAGLABĀJIET ŠOS NORĀDĪJUMUS.

⚠️ BRĪDINĀJUMS:

NEZAUDĒJIET modrību darbarīka lietošanas laikā (tas var gadīties pēc darbarīka daudzkārtējas izmantošanas), rūpīgi ievērojiet urbšanas drošības noteikumus šim izstrādājumam. NEPAREIZAS LIETOŠANAS vai šīs rokasgrāmatas drošības noteikumu neievērošanas gadījumā var gūt smagas traumas.

ENC007-8

SVARĪGI DROŠĪBAS NOTEIKUMI AKUMULATORA LIETOŠANAI

1. Pirms akumulatora lietošanas izlasiet visus norādījumus un brīdinājumus, kuri attiecas uz (1) akumulatora lādētāju, (2) akumulatoru un (3) ierīci, kurā tiek izmantots akumulators.

2. Neizjauciet akumulatoru.
3. Ja akumulatora darbības laiks kļūva ievērojami īsāks, nekavējoties pārtrauciet to izmantot. Citādi, tas var izraisīt pārkarsējumu, uzliesmojumu vai pat sprādzienu.
4. Ja elektrolīts nonāk acīs, izskalojiet tās ar tīru ūdens un nekavējoties griežieties pie ārsta. Tas var izraisīt redzes zaudēšanu.
5. Neradiet īssavienojumu akumulatora kasetnē:
 - (1) Neskarities pie termināliem ar jebkāda veida vadītspējīgiem materiāliem.
 - (2) Neuzglabājiet akumulatoru kasetni kopā ar citiem metāla priekšmetiem, tādiem kā naglas, monētas u.c.
 - (3) Nepakļaujiet akumulatora kasetni ūdens vai lietus iedarbībai.
 Īssavienojums var radīt lielu strāvas plūsmu, pārkaršanu, var radīt apdegumus vai pat bojājumus.
6. Neuzglabājiet darbarīku un akumulatora kasetni vietās, kur temperatūra var sasniegt vai pārsniegt 50 ° C (122 ° F).
7. Nededziniet akumulatora kasetni, pat ja tā ir stipri bojāta vai pilnībā nolietota. Akumulatora kasetne ugunī var eksplodēt.
8. Uzmanieties, lai neļautu akumulatoram nokrist un nepakļautu to sītienu.
9. Neizmantojiet bojātu akumulatoru.
10. Ievērojiet vietējos noteikumus par akumulatora likvidēšanu.

SAGLABĀJIET ŠOS NORĀDĪJUMUS.

Ieteikumi akumulatora kalpošanas laika pagarināšanai

1. Uzlādējiet akumulatora kasetni pirms tā pilnīgi izlādējas. Vienmēr, kad ievērojat, ka darbarīka darba jauda zudusi, apturiet darbarīku un uzlādējiet akumulatora kasetni.
2. Nekad neuzlādējiet pilnībā uzlādētu akumulatora kasetni. Pārmērīga uzlāde saīsina akumulatora kalpošanas laiku.
3. Uzlādējiet akumulatora kasetni istabas temperatūrā 10 ° C - 40 ° C (50 ° F - 104 ° F). Karstai akumulatora kasetnei pirms uzlādes ļaujiet atdzist.
4. Uzlādējiet akumulatora kasetni reizi sešos mēnešos, ja to neizmantojat ilgu laiku.

FUNKCIJU APRAKSTS

⚠UZMANĪBU:

- Pirms darbarīka regulēšanas vai tā darbības pārbaudes vienmēr pārliecinieties, ka darbarīks ir izslēgts un akumulatora kasetne ir izņemta.

Akumulatora kasetnes uzstādīšana un izņemšana

Att.1

⚠UZMANĪBU:

- Vienmēr pirms akumulatora kasetnes uzstādīšanas vai noņemšanas izslēdziet darbarīku.
- **Uzstādot vai izņemot akumulatora kasetni, darbarīku un akumulatora kasetni turiet cieši.** Ja darbarīku un akumulatora kasetni netur cieši, tie var izkrist no rokām un radīt bojājumus darbarīkam un akumulatora kasetnei, kā arī izraisīt ievainojumus.

Lai izņemtu akumulatora kasetni, izvelciet to no darbarīka, pārbīdot kasetnes priekšpusē esošo pogu. Lai uzstādītu akumulatora kasetni, salāgojiet mēlīti uz akumulatora kasetnes ar rievu ietvarā un iebīdi to vietā. Bīdi to iekšā līdz klikšķim, kas nozīmē, ka tā ir pareizi uzstādīta. Ja pogas augšējā daļā ir redzams sarkans indikators, tas nozīmē, ka tā nav pilnīgi bloķēta.

⚠UZMANĪBU:

- Vienmēr ievietojiet akumulatora kasetni tā, lai sarkanais indikators nebūtu redzams. Pretējā gadījumā tā var nejauši izkrist no darbarīka un radīt jums vai apkārtējiem ievainojumu.
- Neievietojiet akumulatora kasetni ar spēku. Ja kasetne neslīd ietvarā viegli, tā nav pareizi ielikta.

Akumulatora aizsardzības sistēma (litija jonu akumulators ar zvaigznes emblēmu)

Att.2

Litija jonu akumulatori ar zvaigznes emblēmu ir aprīkoti ar aizsardzības sistēmu. Šī sistēma automātiski izslēdz jaudas padevi darbarīkam, lai pagarinātu akumulatora kalpošanas laiku.

Darbarīks automātiski pārstās darboties ekspluatācijas laikā, ja darbarīku un/vai akumulatoru pakļaus kādam no šiem apstākļiem:

- Pārslodze:
Darbarīku ekspluatācijas laikā lieto tādā veidā, ka tas saista pārmērīgu strāvu. Šādā gadījumā atlaidiet darbarīka slēdža sviru/mēlīti un pārtrauciet darbību, kas izraisīja darbarīka pārslodzi. Pēc tam vēlreiz nospiediet slēdža sviru/mēlīti, lai atsāktu. Ja darbarīks nesāk darboties, akumulators ir pārkarsis. Šādā gadījumā ļaujiet akumulatoram atdzist, pirms vēlreiz nospieš slēdža sviru/mēlīti.

- Zema akumulatora jauda:
Akumulatora atlikusī jauda ir pārāk zema, un darbarīks nedarbosies. Šādā gadījumā akumulatoru noņemiet un veiciet tam uzlādi.

Slēdža darbība

⚠UZMANĪBU:

- Pirms akumulatora kasetnes uzstādīšanas darbarīkā, vienmēr pārbaudiet, vai slēdža svira/mēlīte darbojas pareizi un pēc atlaišanas atgriežas „OFF” (izslēgts) stāvoklī.

Att.3

Lai nepieļautu slēdža sviras/mēlītes nejaušu pavilkšanu, darbarīks ir aprīkots ar atbloķēšanas sviru/pogu.

Lai iedarbinātu darbarīku, spiediet slēdža sviru vai mēlīti.

- Slēdža svirai vispirms pavelciet atbloķēšanas sviru un pēc tam nospiediet slēdža sviru, lai iedarbinātu darbarīku.
- Slēdža mēlītei vispirms nospiediet atbloķēšanas pogu un pēc tam nospiediet slēdža mēlīti, lai iedarbinātu darbarīku. Atbloķēšanas pogu var nospiegt gan no labās, gan kreisās puses.

Darbarīka ātrums pieaug, palielinoties spiedienam uz slēdža sviras/mēlītes. Lai apturētu darbarīku, atlaidiet slēdža sviru/mēlīti.

PIEZĪME:

Nespiediet slēdža sviru/mēlīti ar spēku, nenospiežot atbloķēšanas sviru/pogu. Tā var sabojāt slēdzi.

Priekšējās lampas ieslēgšana

Att.4

⚠UZMANĪBU:

- Neskatieties gaismā, neļaujiet tās avotam iespīdēt acīs.

Pavelciet slēdža sviru/mēlīti, lai ieslēgtu lampu. Kamēr slēdža svira/mēlīte ir nospiesta, lampa ir iedegta.

10-15 sekunžu laikā pēc slēdža sviras/mēlītes mēlītes atlaišanas lampa automātiski izslēdzas.

Slieces noregulēšana

Att.5

Kad asmens vienā vietā visā zāģēšanas malas garumā zaudē griešanas efektivitāti, nomainiet slieces stāvokli tā, lai lietu aso, neizmantoto zāģēšanas malas daļu. Tādējādi paildzināsiet asmens ekspluatācijas laiku.

Lai pārvietotu slieci, ar sešstūru atslēgu atskrūvējiet bultskrūvi.

Pavirziet slieci vajadzīgajā stāvoklī un cieši pieskrūvējiet bultskrūvi.

MONTĀŽA

⚠UZMANĪBU:

- Pirms darbarīka regulēšanas vai apkopes vienmēr pārliecinieties, ka darbarīks ir izslēgts un akumulatora kasetne ir izņemta.

Zāģa asmens uzstādīšana vai noņemšana

⚠UZMANĪBU:

- Vienmēr notīriet visas skaidas vai svešķermeņus, kas pielipuši asmenim, asmens spaiļei un/vai bīdnim. Ja tā nerīkosieties, asmens nebūs pietiekami cieši piestiprināts, izraisot nopietnu ievainojumu.

Modelim DJR143, DJR183

Att.6

Ievietojiet zobenzāģa asmeni asmens spīlējuma līdz galam. Asmens spīlējuma uzmavai griežoties, zāģa asmens tiek nofiksēts. Pārliecinieties, vai zāģa asmeni nav iespējams izvilkt, pat ja darāt to ar spēku.

⚠UZMANĪBU:

- Ja neievietosiet zāģa asmeni pietiekami dziļi, darba laikā tas var negaidīti izkrist. Tas var būt ļoti bīstami.

PIEZĪME:

- Ar DJR143 vai DJR183 nevar izmantot finierzāģa asmeni.

Att.7

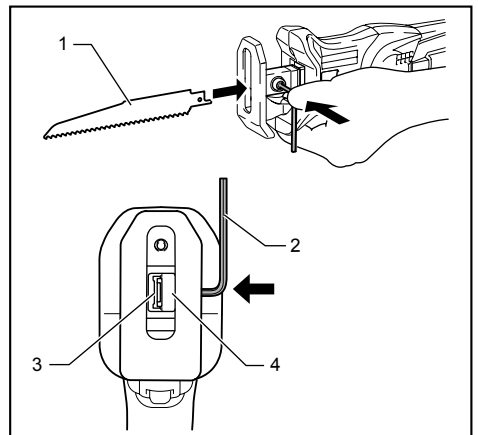
Lai izņemtu zāģa asmeni, pagrieziet asmens spīlējuma uzmavu bultiņas virzienā līdz galam. Zāģa asmens ir izņemts, un asmens spīlējuma uzmava ir nofiksēta atvienotā stāvoklī.

PIEZĪME:

- Ja izņemsiet asmeni, nepagriezot asmens spīlējuma uzmavu līdz galam, pēdējā var nebūt nofiksēta. Šajā gadījumā pagrieziet asmens spīlējuma uzmavu līdz galam, tad to atvienotā stāvoklī nofiksējiet.

Modelim DJR145, DJR185

Att.8

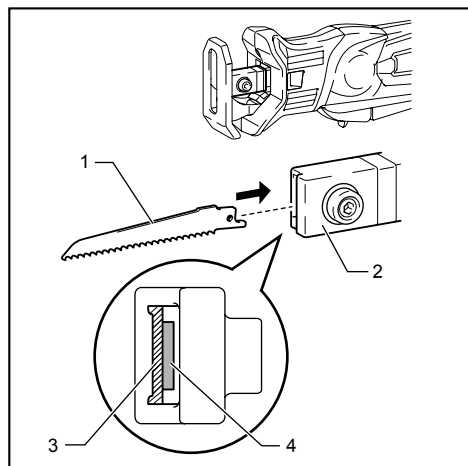


1. Ripzāģa asmens
2. Sešstūra atslēga
3. Atvere ripzāģa asmenim
4. Asmens skava

014048

Lai uzstādītu zāga asmeni, ar sešstūru atslēgu atskrūvējiet bultskrūvi.

Uzstādot ripzāga asmeni, ar sešstūru atslēgu saspiediet bultskrūvi, lai atvērtu iešķēlumu, ievietojot asmeni.



1. Zāga asmens
2. Asmens skava
3. Atvere ripzāga asmenim
4. Atvere finierzāga asmenim

014047

Att.9

Atbilstīgi darbam var izmantot gan finierzāga (B tipa), gan ripzāga asmeni. Ievietojiet zāga asmeni tieši asmens spailē un pieskrūvējiet ar sešstūru atslēgu. Viegli pavelciet zāga asmeni, lai pārbaudītu, vai tas ekspluatācijas laikā nenokrītīs.

Lai noņemtu zāga asmeni, izpildiet iepriekš aprakstīto uzstādīšanas procedūru apgrieztā secībā.

Sešstūra atslēgas uzglabāšana

Att.10

Kad sešstūra atslēga netiek lietota, glabājiet to, kā parādīts zīmējumā, lai to nepazaudētu.

EKSPLUATĀCIJA

⚠UZMANĪBU:

- Darba laikā vienmēr piespiediet slieci cieši pie apstrādājamā materiāla. Ja ekspluatācijas laikā sliece netiks turēta pie apstrādājamā materiāla, radīsies spēcīga vibrācija un/vai izliekšanās, kā rezultātā asmens bīstami salūzīs.
- Zāgējot metālu, vienmēr valkājiet cimdus, lai pasargātu rokas no karstām, atlecošām skaidām.
- Obligāti valkājiet piemērotus acu aizsargus, kas atbilst pašreizējiem valsts standartiem.
- Zāgējot metālu, vienmēr lietojiet piemērotu dzesēšanas šķidrumu (zāģēšanas eļļu). Ja tā nerīkosieties, asmens priekšlaicīgi nolietosies.

Att.11

Piespiediet slieci cieši pie apstrādājamā materiāla. Nepieļaujiet, ka darbarīks atlec. Viegli pielieciet zāga asmeni pie apstrādājamā materiāla. Vispirms ar mazāku ātrumu izzāģējiet sākotnējo rievu. Tad turpiniet zāģēt ar lielāku ātrumu.

Att.12

Att.13

- Atbilstīgi darbam iespējams izmantot slēdža sviru vai mēlīti.

PIEZĪME:

- Ja darbarīks tiek darbināts nepārtraukti, līdz akumulatora kasetne ir izlādējusies, pirms turpināt darbu ar jaunu akumulatoru, izslēdziet darbarīku uz 15 minūtēm.

APKOPE

⚠UZMANĪBU:

- Pirms darbarīka pārbaudes vai apkopes vienmēr pārliecinieties, ka darbarīks ir izslēgts un akumulatora kasetne ir izņemta.
- Nekad neizmantojiet gāzoliņu, benzīnu, atšķaidītāju, spirtu vai līdzīgus šķidrumus. Tas var radīt izbalēšanu, deformāciju vai plaisas.

Lai saglabātu produkta DROŠU un UZTICAMU darbību, remontdarbus, apkopi un regulēšanu uzticiet veikt tikai Makita pilnvarotam apkopes centram un vienmēr izmantojiet tikai Makita rezerves daļas.

PAPILDU PIEDERUMI

⚠UZMANĪBU:

- Šādi piederumi un rīki tiek ieteikti lietošanai ar šajā pamācībā aprakstīto Makita instrumentu. Jebkādu citu piederumu un rīku izmantošana var radīt traumu briesmas. Piederumu vai rīku izmantojiet tikai tā paredzētajam mērķim.

Ja jums vajadzīga palīdzība vai precīzāka informācija par šiem piederumiem, vērsieties savā tuvākajā Makita apkopes centrā.

- Ripzāga asmeņi
- Finierzāga asmeņi (tikai modelim DJR145, DJR185)
- Makita oriģinālais akumulators un lādētājs

PIEZĪME:

- Daži sarakstā norādītie izstrādājumi var būt iekļauti instrumenta komplektācijā kā standarta piederumi. Tie dažādās valstīs var būt atšķirīgi.

LIETUVIŲ KALBA (Originali naudojimo instrukcija)

Bendrasis aprašymas

1-1. Raudonas indikatorius	4-1. Lempa	8-1. Šešiabriaunis veržliaraktis
1-2. Mygtukas	5-1. Šešiabriaunis veržliaraktis	8-2. Varžtas
1-3. Akumulatoriaus kasetė	5-2. Šešiakampis varžtas	8-3. Atleisti
2-1. Žvaigždutės ženklas	5-3. Atleisti	8-4. Priveržkite
3-1. Atlaisvinimo mygtukas	6-1. Siaurapjūklis ašmenys	10-1. Šešiabriaunis veržliaraktis
3-2. Atlaisvinimo svirtelė	6-2. Disko veržtuvo mova	10-2. Išsikišimas
3-3. Jungiklio svirtis	7-1. Pjovimo diskas	
3-4. Jungiklio spraktukas	7-2. Disko veržtuvo mova	

SPECIFIKACIJOS

Modelis	DJR143	DJR145	DJR183	DJR185
Pjūvio ilgis	13 mm			
Pjovimo judesiai per minutę (min^{-1})	0 - 3 000			
Didž. Pjovimo matmėtys	Vamzdis	50 mm		
	Medis	50 mm		
Bendras ilgis	392 mm (su BL.1415)		392 mm (su BL.1815 / BL.1815N / BL.1820)	
	397 mm (su BL.1430 / BL.1440)		398 mm (su BL.1830 / BL.1840 / BL.1850)	
Neto svoris	1,5 kg (su BL.1415)		1,5 kg (su BL.1815 / BL.1815N / BL.1820)	
	1,7 kg (su BL.1430 / BL.1440)		1,8 kg (su BL.1830 / BL.1840 / BL.1850)	
Nominali įtampa	Nuol. sr. 14,4 V		Nuol. sr. 18 V	

• Atliekame nepertraukiamus tyrimus ir nuolatos tobuliname savo gaminius, todėl čia pateikiamos specifikacijos gali būti keičiamos be įspėjimo.

• Specifikacijos ir akumuliatorių kasetės įvairiose šalyse gali skirtis.

• Svoris su akumulatoriaus kasete pagal Europos elektrinių įrankių asociacijos metodiką „EPTA-Procedure 01/2003“

ENE020-1

Paskirtis

Šis įrankis skirtas medienai, plastmasei ir geležiui pjauti.

ENG905-1

Triukšmas

Tipiškas A svartinis triukšmo lygis nustatytas pagal EN60745:

Modelis DJR143, DJR185

Garso slėgio lygis (L_{pA}): 76 dB (A)

Paklaida (K): 3 dB (A)

Dirbant triukšmo lygis gali viršyti 80 dB (A).

Modelis DJR145, DJR183

Garso slėgio lygis (L_{pA}): 77 dB (A)

Paklaida (K): 3 dB (A)

Dirbant triukšmo lygis gali viršyti 80 dB (A).

Dėvėkite ausų apsaugas

ENG900-1

Vibracija

Vibracijos bendroji vertė (trijų ašių vektorinė suma) nustatyta pagal EN60745:

Modelis DJR143, DJR145

Darbo režimas: lentų pjovimas

Vibracijos emisija ($a_{h,B}$): 7,0 m/s^2

Paklaida (K): 1,5 m/s^2

Darbo režimas: medinių sijų pjovimas

Vibracijos emisija ($a_{h,WB}$): 7,0 m/s^2

Paklaida (K): 1,5 m/s^2

Modelis DJR183, DJR185

Darbo režimas: lentų pjovimas

Vibracijos emisija ($a_{h,B}$): 8,0 m/s^2

Paklaida (K): 1,5 m/s^2

Darbo režimas: medinių sijų pjovimas

Vibracijos emisija ($a_{h,WB}$): 7,0 m/s^2

Paklaida (K): 1,5 m/s^2

ENG901-1

- Paskelbtasis vibracijos emisijos dydis nustatytas pagal standartinį testavimo metodą ir jį galima naudoti vienam įrankiui palyginti su kitu.
- Paskelbtasis vibracijos emisijos dydis taip pat gali būti naudojamas preliminariai įvertinti vibracijos poveikį.

⚠️ ĮSPĖJIMAS:

- Faktiškai naudojant elektrinį įrankį, keliamos vibracijos dydis gali skirtis nuo paskelbtojo dydžio, priklausomai nuo būdu, kuriais yra naudojamas šis įrankis.
- Siekiant apsaugoti operatorių, būtina įvertinkite saugos priemones, remdamiesi vibracijos poveikio įvertinimu esant faktinėms naudojimo sąlygoms (atsižvelgdami į visas darbo ciklo dalis, pavyzdžiui, ne tik kiek laiko įrankis veikia, bet ir kiek kartų jis yra išjungiamas bei kai jis veikia be apkravų).

ENH101-17

Tik Europos šalims

ES atitikties deklaracija

Bendrovė „Makita“ atsakingai pareiškia, kad šis įrenginys (-iai):

Mechanizmo paskirtis:

Belaidis atbulinis pjūklas

Modelio Nr./ tipas: DJR143, DJR145, DJR183, DJR185

Atitinka šias Europos direktyvas:

2006/42/EC

Yra pagaminti pagal šį standartą arba normatyvinius dokumentus:

EN60745

Techninį dokumentą pagal 2006/42/EB galima gauti iš:

Makita, Jan-Baptist Vinkstraat 2, 3070, Belgium
(Belgija)

31.12.2013



000331

Yasushi Fukaya

Direktorius

Makita, Jan-Baptist Vinkstraat 2, 3070, Belgium
(Belgija)

GEA010-1

Bendrieji perspėjimai darbui su elektriniais įrankiais

⚠️ ĮSPĖJIMAS Perskaitykite visus saugos įspėjimus ir instrukcijas. Nesilaikydami žemiau pateiktų įspėjimų ir instrukcijų galite patirti elektros smūgį, gaisrą ir/arba sunkų sužeidimą.

Išsaugokite visus įspėjimus ir instrukcijas, kad galėtumėte jas peržiūrėti ateityje.

ĮSPĖJIMAI DĖL AKUMULIATORINIO SIAURAPJŪKLIO SAUGOS

- Atlikdami darbus, kurių metu pjovimo dalis galėtų užkliudyti nematomą laidą arba savo paties laidą, laikykite elektrinius įrankius už izoliuotų paviršių. Pjovimo daliai prisilietus prie „gyvo“ laido, neizoliuotos metalinės elektrinio įrankio dalys gali sukelti elektros smūgį ir nutrenkti operatorių.
- Žnyplėmis ar kitu praktišku būdu įtvirtinkite ir paremkite ruošinį ant stabilios platformos. Laikant ruošinį rankomis arba prispaudus prie kūno, jis yra nestabilus, todėl galite prarasti jo kontrolę.
- Būtina naudokite apsauginius akinius. Įprastiniai akiniai ar akiniai nuo saulės NĖRA apsauginiai akiniai.
- Nepjaukite vinių. Prieš dirbdami apžiūrėkite, ar ruošinyje nėra vinių, ir jas išimkite.
- Nepjaukite didelių matmenų ruošinio.
- Prieš pjudami patikrinkite, ar tarpas po ruošiniu yra pakankamas, kad asmenys neįpjautų grindų, darbatalio ir pan.
- Tvirtai laikykite įrankį.
- Prieš įjungdami jungiklį, patikrinkite, ar geležtė neliečia ruošinio.
- Žiūrėkite, kad rankos būtų kuo toliau nuo judamųjų dalių.
- Nepalikite veikiančio įrankio. Naudokite įrankį tik laikydami rankomis.
- Prieš išimdami geležtę iš ruošinio, būtina išjunkite ir palaukite, kol ji visiškai sustos.
- Nelieskite geležtės arba ruošinio iškart po naudojimo; jie gali būti itin karšti ir nudeginti odą.
- Be reikalo nenaudokite įrankio be apkrovos.
- Atsižvelgdami į apdirbamą medžiagą ir darbo pobūdį, būtina užsidėkite kaukę, saugančią nuo dulkių / respiratorių.
- Kai kuriose medžiagose esama cheminių medžiagų, kurios gali būti nuodingos. Saugokitės, kad neįkvėptumėte dulkių ir nesilieptumėte oda. Laikykites medžiagų tiekėjo saugos duomenimis.

SAUGOKITE ŠIAS INSTRUKCIJAS.

⚠️ ĮSPĖJIMAS:

NELEISKITE, kad patogumas ir gaminio pažinimas (įgyjamas pakartotinai naudojant) susilpnintų griežtą saugos taisyklių, taikytinų šiam gaminiui, laikymąsi. Dėl NETINKAMO NAUDOJIMO arba saugos taisyklių nesilaikymo, kurios pateiktos šioje instrukcijoje galima rimtai susižeisti.

SVARBIOUS SAUGOS INSTRUKCIJOS

AKUMULIATORIAUS KASETEI

1. Prieš naudodami akumulatoriaus kasetę, perskaitykite visas instrukcijas ir perspėjimus ant (1) akumuliatorių kroviklio, (2) akumuliatorių ir (3) akumuliatorių naudojančio gaminio.
2. Neardykite akumulatoriaus kasetės.
3. Jei įrankio darbo laikas žymiai sutrumpėjo, nedelsdami nutraukite darbą su įrankiu. Tai kelia perkaitimo, nudegimų ar net sprogdimo pavojų.
4. Jei elektrolitas pateko į akis, plaukite jas tyru vandeniu ir nedelsdami kreipkitės į gydytoją. Yra regėjimo praradimo pavojus.
5. Neužtrumpinkite akumulatoriaus kasetės:
 - (1) Kontaktų nelieskite jokiais elektra laidžiomis medžiagomis.
 - (2) Venkite laikyti akumulatoriaus kasetę kartu su kitais metaliniais daiktais, pavyzdžiui, vinimis, monetomis ir t. t..
 - (3) Saugokite akumulatoriaus kasetę nuo vandens ir lietaus.

Trumpasis jungimas akumuliatoriuje gali sukelti stiprią srovę, perkaitimą, galimus nudegimus ar net akumulatoriaus gedimą.
6. Nelaikykite įrankio ir akumulatoriaus kasetės vietoje, kur temperatūra gali pasiekti ar viršyti 50 ° C (122 ° F).
7. Nedeginkite akumulatoriaus kasetės, net jei yra stipriai pažeista ar visiškai susidėvėjusi. Ugnyje akumulatoriaus kasetė gali sprogti.
8. Saugokite akumuliatorių nuo kritimo ir smūgių.
9. Nenaudokite pažeisto akumulatoriaus.
10. Vadovaukitės vietos įstatymais dėl akumuliatorių išmetimo.

SAUGOKITE ŠIAS INSTRUKCIJAS.

Patarimai, ką daryti, kad akumulatorius tarnautų kuo ilgiau

1. Kraukite akumulatoriaus kasetę prieš jai visiškai išsikraunant. Visuomet nustokite naudoti įrankį ir kraukite akumulatoriaus kasetę, kai pastebite sumažėjusią įrankio galią.
2. Niekada nekraukite iki galo įkrautos akumulatoriaus kasetės. Per didelis įkrovimas trumpina akumulatoriaus eksploatacijos laiką.
3. Kraukite akumulatoriaus kasetę kambario temperatūroje 10 ° C - 40 ° C (50 ° F - 104 ° F). Prieš kraudami leiskite atvėsti karštai akumulatoriaus kasetei.
4. Įkraukite akumulatoriaus kasetę kas šešis mėnesius, kai jos ilgai nenaudojate.

VEIKIMO APRAŠYMAS

⚠DĖMESIO:

- Prieš reguliuodami įrenginį arba tikrindami jo veikimą visada patikrinkite, ar įrenginys išjungtas, o akumuliatorių kasetė - nuimta.

Akumulatoriaus kasetės uždėjimas ir nuėmimas

Pav.1

⚠DĖMESIO:

- Prieš įdėdami arba išimdami akumulatoriaus kasetę, visada išjunkite įrankį.
- Įdėdami arba išimdami akumulatoriaus kasetę, tvirtai laikykite įrankį ir akumulatoriaus kasetę. Jeigu įrankį ir akumulatoriaus kasetę laikysite netvirtai, jie gali išskysti iš jūsų rankų ir sąlygoti įrankio bei akumulatoriaus kasetės gedimą ir vartotojo sužalojimą.

Jei norite išimti akumulatoriaus kasetę, ištraukite ją iš įrankio, stumdami mygtuką, esantį kasetės priekyje. Jeigu norite įdėti akumulatoriaus kasetę, sutapdinkite liežuvelį ant akumulatoriaus kasetės su grioveliu korpuso ir įstumkite į skirtą vietą. Įdėkite iki galo, kol spragtelėdama užsifikuos. Jeigu matote raudoną indikatorius viršutinėje mygtuko pusėje, ji nėra visiškai užfiksuota.

⚠DĖMESIO:

- Akumulatoriaus kasetę visada įkiškite iki galo, kol nebematysite raudono indikatoriaus. Priešingu atveju ji gali atsitiktinai iškristi iš įrankio, sužeisti jus ar aplinkinius.
- Nekiškite akumulatoriaus kasetės jėga. Jeigu kasetė sunkiai lenda, ji kišama netinkamai.

Akumulatoriaus apsaugos sistema (ličio jonų akumulatorius su žvaigždutės ženklu)

Pav.2

Ličio jonų akumulatoriuose su žvaigždutės ženklu būna įrengta apsaugos sistema. Ši sistema automatiškai atjungia įrankio maitinimą, kad akumulatorius tarnautų ilgiau.

Įrankis automatiškai išsijungs darbo metu, esant vienai iš šių įrankio ir (arba) akumulatorius darbo sąlygų:

- Perkrautas:

Įrankis naudojamas taip, kad jame neįprastai padidėja elektros srovė. Tokiu atveju atleiskite įrankio svirtinį jungiklį/gaiduką ir nutraukite darbą, dėl kurio kilo įrankio perkrova. Po to vėl paspauskite svirtinį jungiklį / gaiduką, kad vėl įjungtumėte įrankį.

Jeigu įrankis neįsijungia, reiškia perkrautas akumulatorius. Tokiu atveju palaukite, kol akumulatorius atvės, paskui vėl paspauskite svirtinį jungiklį/gaiduką.

- Žema akumulatoriaus įtampa:
Likusi akumulatoriaus energija per maža ir įrankis negali veikti. Tokiu atveju išimkite akumuliatorių ir įkraukite jį.

Jungiklio veikimas

⚠DĖMESIO:

- Prieš įdėdami akumulatoriaus kasetę į įrankį, visuomet patikrinkite, ar svirtinis jungiklis/gaidukas gerai veikia, o atleistas grįžta į išjungimo padėtį „OFF“.

Pav.3

Kad svirtinis jungiklis/gaidukas nebūtų atsitiktinai nuspaustas, yra atlaisvinimo svirtelė/mygtukas.

Norėdami paleisti įrankį, paspauskite svirtinį jungiklį arba gaiduką.

- Jeigu įrengtas svirtinis jungiklis, norėdami įjungti įrankį, patraukite atlaisvinimo svirtelę, po to patraukite svirtinį jungiklį.
- Jeigu įrengtas gaidukas, norėdami įjungti įrankį, nuspauskite atlaisvinimo mygtuką, po to patraukite gaiduką. Atlaisvinimo mygtuką galima nuspausti iš kairės arba dešinės pusės.

Įrankio greitis didėja stipriau spaudžiant svirtinį jungiklį/gaiduką. Norėdami sustabdyti, atleiskite svirtinį jungiklį/gaiduką.

PASTABA:

Negalima stipriai spausti svirtinio jungiklio/gaiduko, nenuspaudus atlaisvinimo svirtelės/mygtuko. Galite sugadinti jungiklį.

Priekinės lemputės uždegimas

Pav.4

⚠DĖMESIO:

- Nežiūrėkite tiesiai į šviesą arba šviesos šaltinį.

Paspauskite svirtinį jungiklį/gaiduką lemputei uždegti. Lemputė degs tol, kol bus nuspaustas svirtinis jungiklis/gaidukas.

Atleidus svirtinį jungiklį/gaiduką, lemputė automatiškai užgesa po 10–15 sekundžių.

Atraminės plokštės reguliavimas

Pav.5

Kai ašmenys atšimpa vienoje vietoje išilgai pjaunamojo krašto, atraminę plokštę reikia perstumti taip, kad būtų pjaunama aštria, dar nenaudota pjaunamojo krašto dalimi. Šitai ašmenimis bus galima naudotis kur kas ilgiau.

Norėdami pakeisti padą padėti, atsukite varžtą šešiakampiu veržliaraktčiu.

Pastumkite padą į norimą padėtį, tada vėl tvirtai užveržkite varžtą.

SURINKIMAS

⚠DĖMESIO:

- Prieš darydami ką nors įrankiui visada patikrinkite, ar įrenginys išjungtas, o akumuliatorių kasetę - nuimta.

Pjūklo ašmenų sumontavimas arba nuėmimas

⚠DĖMESIO:

- Visuomet nuvalykite visas prie pjūklo ašmenų, pjūklo veržtuvo ir/arba šliaužiklio prilipusias drožles arba medžiagos gabalėlius. Jeigu nevalysite, pjūklas gali atsilaisvinti ir sužeisti jus.

Modeliams DJR143, DJR183

Pav.6

Iki galo įkiškite tiesinio siaurapjūklio pjūklelį į pjūklelio veržtuvą. Pjūklelio veržtuvo mova pasisuka ir užfiksuoja pjūklelį. Pabandykite ištraukti pjūklelį, kad įsitikintumėte jog jo negalima ištraukti.

⚠DĖMESIO:

- Jeifu pjūklo ašmenis įkiškite nepakankamai giliai, pjaunant ašmenys gali netikėtai išsitraukti. Tai itin pavojinga.

PASTABA:

- Su modeliu DJR143 arba DJR183 siaurapjūklio pjūklelio naudoti negalima.

Pav.7

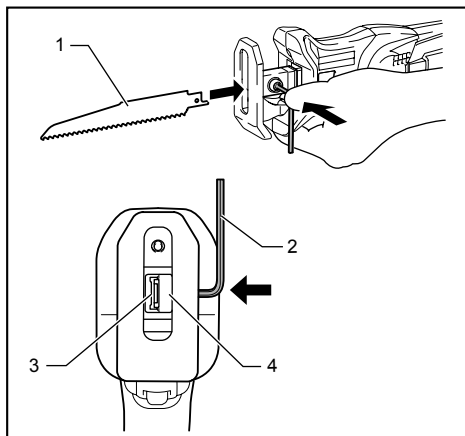
Norėdami ištraukti pjūklo ašmenis, iki galo pasukite pjūklo veržtuvo movą rodyklės kryptimi. Pjūklo ašmenys ištraukti, o pjūklo veržtuvo mova užfiksuota ataisvintoje padėtyje.

PASTABA:

- Jeigu bandysite ištraukti pjūklo ašmenis iki galo nepasukę pjūklo veržtuvo movos, mova nebus užfiksuota. Tokiu atveju, iki galo pasukite pjūklo veržtuvo movą, tada užfiksukite ją ataisvintoje padėtyje.

Modeliams DJR145, DJR185

Pav.8

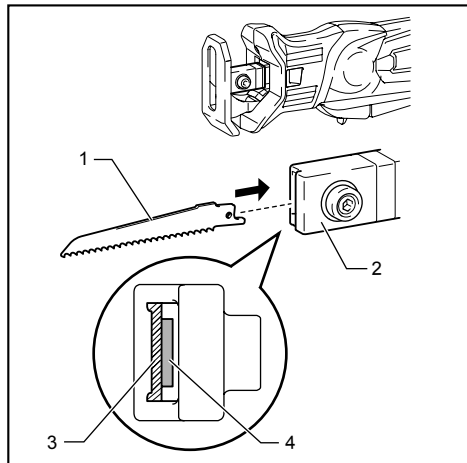


1. Siaurapjūklio ašmenys
2. Šešiabriaunis veržliaraktis
3. Anga siaurapjūklio ašmenims
4. Disko veržtuvas

014048

Norėdami įtaisyti pjovimo ašmenis, atsukite varžtą šešiakampių veržliarakčiu.

Montuodami siaurapjūklį pjūklelį, paspauskite varžtą šešiakampių veržliarakčiu, kad būtų atverta anga pjūkleliui įdėti.



1. Pjovimo diskas
2. Disko veržtuvas
3. Anga siaurapjūklio ašmenims
4. Anga metalo pjūklelio ašmenims

014047

Pav.9

Galite naudoti ir metalo pjūklelių ašmenis (B tipo), ir siaurapjūklių ašmenis, priklausomai nuo atliekamo darbo. Įkiškite pjovimo ašmenis tiesiai į ašmenų veržtuvą ir tvirtai užveržkite šešiakampių veržliarakčiu. Šiek tiek patraukite už pjovimo ašmenų, patikrindami, ar pjovimo ašmenys darbo metu neiškris.

Norėdami nuimti pjovimo ašmenis, atlikite įdėjimo veiksmus atvirkščia eilės tvarka.

Šešiabriaunio veržliarakčio laikymas

Pav.10

Nenaudojamą šešiabriaunį veržliarakčių laikykite taip, kaip parodyta paveikslėlyje, kad nepamestumėte.

NAUDOJIMAS

⚠DĖMESIO:

- Pjaudami visada tvirtai prispauskite atraminę plokštę prie ruošinio. Atraminė plokštė visada turi būti tvirtai prispausta prie pjovinio - jeigu tarp jų bus tarpas, pjaunant atsiras didelė vibracija ir (arba) sąsūka, dėl to ašmenys gali įstrigti, o tai pavojinga.
- Pjaudami metalą, visada dėvėkite pirštines, apsaugančias nuo lekiančių karštų drožlių.
- Visada būtinai dėvėkite tinkamas akių apsaugas, atitinkančias esamus nacionalinius standartus.

- Pjaudami metalą, visada naudokite tinkamą aušinimo priemonę (pjovimo alyvą). Jeigu jos nenaudosite, ašmenys gali per anksti nusidėvėti.

Pav.11

Tvirtai prispauskite atraminę plokštę prie ruošinio. Laikykite tvirtai, kad įrankis nešokinėtų. Lengvai pjovimo ašmenimis palieskite ruošinį. Pirmiausia, padarykite bandomąjį įpjovimą, naudodami mažesnę greitį. Po to padidinkite greitį ir tęskite pjovimą.

Pav.12

Pav.13

- Galite naudoti svirtinį jungiklį arba gaiduką, priklausomai nuo atliekamo darbo.

PASTABA:

- Jei įrankis naudojamas tol, kol akumulatoriaus kasetė išsikrauna, leiskite įrankiui pailsėti 15 minučių prieš tęsdami su kitu akumulatoriumi.

TECHNINĖ PRIEŽIŪRA

⚠DĖMESIO:

- Visuomet įsitikinkite, kad įrankis yra išjungtas ir akumulatoriaus kasetė yra nuimta prieš atliekant apžiūrą ir priežiūrą.
- Niekada nenaudokite gazolino, benzino, tirpiklio, spirito arba panašių medžiagų. Gali atsirasti išblukimų, deformacijų arba įtrūkimų.

Kad gaminyms būtų SAUGUS ir PATIKIMAS, jį taisyti, apžiūrėti ar vykdyti bet kokią kitą priežiūrą ar derinimą turi įgaliotasis kompanijos „Makita“ techninės priežiūros centras; reikia naudoti tik kompanijos „Makita“ pagamintas atsargines dalis.

PASIRENKAMI PRIEDAI

⚠DĖMESIO:

- Su šiame vadove aprašytu įrenginiu „Makita“ rekomenduojama naudoti tik nurodytus priedus ir papildomus įtaisus. Jeigu bus naudojami kitokie priedai ar papildomi įtaisai, gali būti sužaloti žmonės. Priedus arba papildomus įtaisus naudokite tik pagal paskirtį.

Jeigu norite daugiau sužinoti apie tuos priedus, kreipkitės į artimiausią „Makita“ techninės priežiūros centrą.

- Atbulinių pjūklų ašmenys
- Siaurapjūklių pjūkleliai (tik modeliams DJR145, DRJ185)
- Originalus „Makita“ akumulatorius ir kroviklis

PASTABA:

- Kai kurie sąraše esantys priedai gali būti pateikti įrankio pakuotėje kaip standartiniai priedai. Jie įvairiose šalyse gali skirtis.

EESTI (algsed juhised)

Üldvaate selgitus

1-1. Punane näidik	4-1. Lamp	8-1. Kuuskantvõti
1-2. Nupp	5-1. Kuuskantvõti	8-2. Polt
1-3. Akukassett	5-2. Kuuskantpolt	8-3. Keerake lahti
2-1. Tähe märgis	5-3. Keerake lahti	8-4. Pinguta
3-1. Lahtilukustuse nupp	6-1. Lõikesaetera	10-1. Kuuskantvõti
3-2. Lahtilukustuse hoob	6-2. Teraklambrü hüls	10-2. Eend
3-3. Lüliti päästik	7-1. Saetera	
3-4. Lüliti päästik	7-2. Teraklambrü hüls	

TEHNILISED ANDMED

Mudel	DJR143	DJR145	DJR183	DJR185
Käigu pikkus	13 mm			
Käiku minutis (min^{-1})	0 - 3 000			
Max lõikeulatus	Toru	50 mm		
	Puit	50 mm		
Kogupikkus	392 mm (koos BL1415-ga)		392 mm (koos BL1815 / BL1815N / BL1820-ga)	
	397 mm (koos BL1430 / BL1440-ga)		398 mm (koos BL1830 / BL1840 / BL1850-ga)	
Netomass	1,5 kg (koos BL1415-ga)		1,5 kg (koos BL1815 / BL1815N / BL1820-ga)	
	1,7 kg (koos BL1430 / BL1440-ga)		1,8 kg (koos BL1830 / BL1840 / BL1850-ga)	
Nimipinge	Alalisvool 14,4 V		Alalisvool 18 V	

- Meie jätkuva teadus- ja arendustegevuse programmi tõttu võidakse siin antud tehnilisi andmeid muuta ilma ette teatamata.
- Spetsifikatsioonid ja aku korpus võivad riigiti erineda.
- Kaal koos aku korpusega vastavalt EPTA-protseduurile 01/2003

ENE020-1

Ettenähtud kasutamine

Tööriist on ette nähtud puidu, plastiku ja rauasulamite lõikamiseks.

ENG905-1

Müra

Tüüpiline A-korrigeeritud müratase vastavalt EN60745:

Mudel DJR143, DJR185

Müraarõhutase (L_{pA}): 76 dB (A)

Määramatus (K): 3 dB (A)

Müratase töötamisel võib ületada 80 dB (A).

Mudel DJR145, DJR183

Müraarõhutase (L_{pA}): 77 dB (A)

Määramatus (K): 3 dB (A)

Müratase töötamisel võib ületada 80 dB (A).

Kandke kõrvakaitsmeid

ENG900-1

Vibratsioon

Vibratsiooni koguväärtus (kolmeteljeliste vektorite summa) määratud vastavalt EN60745:

Mudel DJR143, DJR145

Töörežiim: laudade saagimine

Vibratsioonitase ($a_{n,B}$): 7,0 m/s^2

Määramatus (K): 1,5 m/s^2

Töörežiim: puittalade saagimine

Vibratsioonitase ($a_{n,WB}$): 7,0 m/s^2

Määramatus (K): 1,5 m/s^2

Mudel DJR183, DJR185

Töörežiim: laudade saagimine

Vibratsioonitase ($a_{n,B}$): 8,0 m/s^2

Määramatus (K): 1,5 m/s^2

Töörežiim: puittalade saagimine

Vibratsioonitase ($a_{n,WB}$): 7,0 m/s^2

Määramatus (K): 1,5 m/s^2

ENG901-1

- Deklareeritud vibratsiooniemissiooni väärtus on mõõdetud kooskõlas standardse testimismeetodiga ning seda võib kasutada ühe seadme võrdlemiseks teisega.
- Deklareeritud vibratsiooniemissiooni väärtust võib kasutada ka mürataseme esmaseks hindamiseks.

⚠ HOIATUS:

- Vibratsioonitase võib elektritööriista tegelikkuses kasutamise ajal erineda deklareeritud väärtusest sõltuvalt tööriista kasutamise viisidest.
- Rakendage kindlasti operaatori kaitsmiseks piisavaid ohutusabinõusid, mis põhinevad hinnangulisel müratasemel tegelikus töötsituatsioonis (võttes arvesse tööperioodi kõik osad nagu näiteks korrad, mil seade lülitatakse välja ja mil seade töötab tühikäigul, lisaks tööajale).

ENH101-17

Ainult Euroopa riigid

EÜ vastavusdeklaratsioon

Makita deklareerib, et alljärgnev(ad) masin(ad):

Masina tähistus:

Juhtmeta lõikesaag

Mudeli nr/tüüp: DJR143, DJR145, DJR183, DJR185

Vastavad alljärgnevatele Euroopa Parlamendi ja nõukogu direktiividele:

2006/42/EC

Need on toodetud vastavalt järgmistele standarditele või standardiseeritud dokumentidele:

EN60745

Tehniline fail, mis on kooskõlas direktiiviga 2006/42/EÜ, on saadaval ettevõttes:

Makita, Jan-Baptist Vinkstraat 2, 3070, Belgia

31.12.2013

000331

Yasushi Fukaya

Direktor

Makita, Jan-Baptist Vinkstraat 2, 3070, Belgia

GEA010-1

Üldised elektritööriistade ohutushoiatused

⚠ HOIATUS Lugege läbi kõik ohutushoiatused ja juhised. Hoiatuste ja juhiste mittejärgmine võib põhjustada elektrišokki, tulekahju ja/või tõsiseid vigastusi.

Hoidke alles kõik hoiatused ja juhised edaspidisteks viideteks.

GEB048-2

JUHTMETA RAAMSAE OHTUSJUHISED

1. Hoidke elektritööriistu isoleeritud haardepindadest, kui töötate kohas, kus lõiketera võib sattuda kokkupuutesse varjatud juhtmetega. Pingestatud juhtmega

kokkupuutesse sattunud lõiketera võib pingestada elektritööriista metallosi, mille tagajärjel võib seadme kasutaja saada elektrilöögi.

2. **Kasutage klambreid või muid otstarbekohaseid vahendeid töödeldava detaili kinnitamiseks ja toetamiseks stabiilsele alusele.** Töödeldava detaili hoidmine käte abil või vastu oma keha jätab selle ebakindlasse asendisse ja võib põhjustada kontrolli kaotamise.
3. **Kasutage alati kaitseprille või ohutusprille.** Tavalised prillid või päikesepriidid EI OLE kaitseprillid.
4. Vältige naeltesse sisselõikamist. Kontrollige, kas töödeldavas detailis on naelu ja eemaldage need enne tööoperatsiooni teostamist.
5. Ärge lõigake ülemõodulist detaili.
6. Enne lõikamist kontrollige sobiva eraldamisvahemiku olemasolu töödeldava detaili ja toetuspinna vahel nii, et lõiketera ei tabaks põrandat, tööpinki jne.
7. Hoidke tööriista kindlalt käes.
8. Veenduge, et lihvketas ei puutuks enne tööriista sisselülitamist vastu töödeldavat detaili.
9. Hoidke käed liikuvatest osadest eemal.
10. Ärge jätke tööriista käima. Käivitage tööriist ainult siis, kui hoiate seda käes.
11. Enne lõiketera eemaldamist töödeldavast detailist lülitage tööriist alati vooluvõrgust välja ja oodake, kuni lõiketera on lõplikult seiskunud.
12. Ärge puutuge otsakut või töödeldavat detaili vahetult peale puurimist; need võivad olla väga kuumad ja põhjustada põletushaavu.
13. Ärge käitage tööriista tarbetult koormamata olekus.
14. Kasutage alati õiget tolmu maski/respiraatorit, mis vastab materjalile ja rakendusele, millega töötate.
15. Mõned materjalid võivad sisaldada mürgiseid aineid. Rakendage meetmeid tolmu sissehingamise ja nahaga kokkupuute vältimiseks. Järgige materjali tarnija ohutusalalet teavet.

HOIDKE JUHEND ALLES.

⚠ HOIATUS:

ÄRGE laske mugavusel või toote kasutamisharjumustel (mis on saadud korduva kasutuse jooksul) asendada vankumatut toote ohutuseeskirjade järgimist. VALE KASUTUS või käesoleva kasutusjuhendi ohutusnõuete eiramine võib põhjustada tõsiseid vigastusi.

ENC007-8

TÄHTSAD OHUTUSALASED JUHISED

AKUKASSETI KOHTA

1. Enne akukasseti kasutamist lugege (1) akulaadial, (2) akul ja (3) seadmel olevad kõik

juhised ja hoiatused läbi.

2. Ärge akukassetti lahti monteerige.
3. Kui tööaeg järjest lüheneb, siis lõpetage kasutamine kohe. Edasise kasutamise tulemuseks võib olla ülekuumenemisoht, võimalikud põletused või isegi plahvatus.
4. Kui elektrolüüti satub silma, siis loputage silma puhta veega ja pöörduge kohe arsti poole. Selline õnnetus võib põhjustada pimedaksjäämist.
5. Ärge tekitage akukassetis lühist:
 - (1) Ärge puutuge klemme elektrijuhtidega.
 - (2) Ärge hoidke akukasseti tööriistakastis koos metallesemetega, nagu naelad, mündid jne.
 - (3) Ärge tehke akukasseti märjaks ega jätke seda vihma kätte.

Aku lühis võib põhjustada tugevat elektrivoolu, ülekuumenemist, põletusi ning ka seadet tõsiselt kahjustada.

6. Ärge hoidke tööriista ja akukasseti kohtades, kus temperatuur võib tõusta üle 50 ° C.
7. Ärge põletage akukasseti isegi siis, kui see on saanud tõsiselt vigastada või on täiesti kulunud. Akukasseti võib tules plahvatada.
8. Olge ettevaatlik ning ärge laske akul maha kukkuda või lööge seda.
9. Ärge kasutage kahjustatud akut.
10. Järgige kasutuskõlmatuks muutunud aku käitlemisel kohalike eeskirju.

HOIDKE JUHEND ALLES.

Vihjeid aku maksimaalse kasutusaja tagamise kohta

1. Laadige akukasseti enne kui see täiesti tühjaks saab.

Alati, kui märkate, et tööriist töötab väiksema võimsusega, peatage töö ja laadige akut.
2. Ärge kunagi laadige täislaetud akukasseti. Liigne laadimine lühendab aku kasutusiga.
3. Laadige akukasseti toatemperatuuril 10 ° C - 40 ° C. Laske kuuma akukassetil enne laadimist maha jahtuda.
4. Kui Te akukasseti pikemat aega ei kasuta, laadige seda iga kuu kuu järel.

FUNKTSIONAALNE KIRJELDUS

△HOIATUS:

- Kandke alati hoolt selle eest, et tööriist oleks enne reguleerimist ja kontrollimist välja lülitatud ja akukasset eemaldatud.

Akukasseti paigaldamine või eemaldamine

Joon.1

△HOIATUS:

- Lülitage tööriist alati enne akukasseti paigaldamist või eemaldamist välja.
- **Hoidke tööriista ja akukasseti kindlalt käes, kui paigaldate või eemaldate akukasseti.** Kui eirata nõuet tööriista ja akukasseti hoidmise kohta, võivad need käest libiseda ja maha kukkudes puruneda ja põhjustada kehavigastusi.

Akukasseti eemaldamiseks libistage see tööriista küljest lahti, vajutades kasseti esiküljel paiknevat nuppu alla.

Akukasseti paigaldamiseks joondage akukasseti keel korpuse soonega ja libistage kasseti oma kohale. Paigaldage kasseti alati nii kaugele, et see lukustuks klõpsatusega oma kohale. Kui näete nupu ülaosas punast osa, pole kasseti täielikult lukustunud.

△HOIATUS:

- Paigaldage akukasseti alati täies ulatuses nii, et punast osa ei jääks näha. Vastasel korral võib kasseti tööriistast välja kukkuda ning vigastada Teid või läheduses viibivaid isikuid.
- Ärge rakendage jõudu akukasseti paigaldamisel. Kui kasseti ei lähe kergesti sisse, pole see õigesti paigaldatud.

Aku kaitsesüsteem

(tähe märgisega liitiumioonaku)

Joon.2

Tähe märgisega liitiumioonakud on varustatud kaitsesüsteemiga. Süsteem lülitab tööriista toitevoolu automaatselt välja, et pikendada aku eluiga.

Tööriist seiskub käitamise ajal automaatselt, kui tööriista ja/või aku kohta kehtivad järgmised tingimused.

- Ülekoormus.

Tööriista kasutatakse viisil, mis põhjustab toitevoolu tugevuse tõusu lubatud kõrgemale. Sellisel juhul vabastage tööriista hooblüliti/päästikülilit ja lõpetage töö, mis põhjustas tööriista ülekoormuse. Seejärel tõmmake taaskäivitamiseks uuesti hooblüliti/päästikülilit.

Kui tööriist ei käivitu, on aku üle kuumenenud. Sellisel juhul laske akul maha jahtuda, enne kui hooblüliti/päästikülilit uuesti tõmbate.
- Madal akupinge.

Aku jääkmahtuvus on liiga väike ja tööriist ei hakka tööle. Sellisel juhul eemaldage aku ja laadige seda.

Lüliti funktsioneerimine

⚠HOIATUS:

- Kontrollige alati enne akukasseti tööriista külge paigaldamist, kas hooblüliti/päästiklüliti funktsioneerib nõuetekohaselt ja liigub lahtilaskmisel tagasi väljalülitatud asendisse.

Joon.3

Selleks, et hooblüliti/päästiklüliti poleks võimalik juhuslikult tõmmata, on tööriistal lahtilukustushoob/lahtilukustusnupp.

Tööriista töölelülitamiseks tõmmake kas hooblüliti või päästiklüliti.

- Hooblüliti puhul tõmmake lahtilukustushooba ja seejärel tõmmake hooblüliti, et käivitada tööriista.
- Päästiklüliti puhul vajutage lahtilukustusnuppu ja seejärel tõmmake päästiklüliti, et käivitada tööriista. Lahtilukustusnuppu võib vajutada nii paremale kui ka vasakule poolele.

Tööriista kiirus kasvab, kui suurendate survet hooblülitele/päästiklülitele. Seiskamiseks vabastage hooblüliti/päästiklüliti.

TÄHELEPANU:

Ärge tõmmake hooblüliti/päästiklüliti jõuga ilma lahtilukustushooba/lahtilukustusnuppu vajutamata. Vastasel juhul võib lüliti puruneda.

Eemise lambi süütamine

Joon.4

⚠HOIATUS:

- Ärge vaadake otse valgusesse ega valgusallikat. Tõmmake hooblüliti/päästiklüliti, et lamp süttiks. Lamp põleb seni, kuni tõmmatakse hooblüliti/päästiklüliti. Lamp lülitub automaatselt välja 10–15 sekundit pärast hooblüliti/päästiklüliti vabastamist.

Talla reguleerimine

Joon.5

Kui tera lõiketõhusus väheneb ühes kohas piki lõikeserva, muutke talla asendit, et kasutada lõikeserva teravat, kasutamata osa. See aitab pikendada tera kasutusiga. Talla asendi muutmiseks vabastage polt kuuskantvõtmega. Lükake tald soovitud asendisse ja pingutage polti korralikult.

KOKKUPANEK

⚠HOIATUS:

- Kandke alati hoolt selle eest, et tööriist oleks enne igasuguseid hooldustöid välja lülitatud ja akukassett eemaldatud.

Saetera paigaldamine või eemaldamine

⚠HOIATUS:

- Puhastage tera, teraklamber ja/või liugur alati selle külge jäänud laastudest või lahtistest osakestest. Vastasel korral võib tera pingutus olla ebapiisav ja põhjustada tõsise vigastuse.

Mudelid DJR143, DJR183

Joon.6

Sisestage lõikesaetera võimalikult sügavale teraklambrisse. Teraklambril hülss pöörleb ja kinnitab saetera kohale. Veenduge, et saetera ei saa eemaldada, isegi kui proovite seda välja tõmmata.

⚠HOIATUS:

- Kui te ei pane saetera piisavalt sügavale, võib see töö käigus ootamatult välja tulla. See võib olla äärmiselt ohtlik.

MÄRKUS:

- Tikksaetera ei saa kasutada mudelitega DJR143 või DJR183.

Joon.7

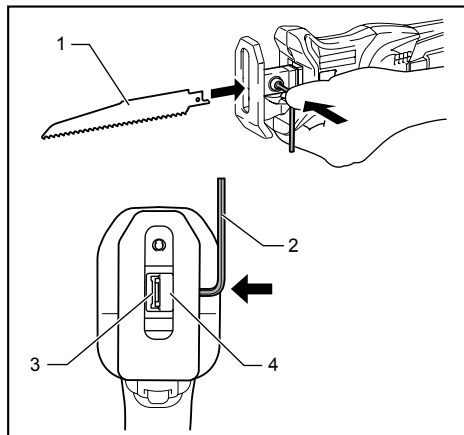
Saetera eemaldamiseks pöörake teraklambril hülss noole suunas lõpuni. Saetera tuleb lahti ja teraklambril hülss fikseerub avatud asendisse.

MÄRKUS:

- Kui eemaldate saetera teraklambril hülssi lõpuni pööramata, võib juhtuda, et hülss ei fikseeru. Sellisel juhul pöörake teraklambril hülss lõpuni, seejärel fikseerige hülss avatud asendisse.

Mudelid DJR145, DJR185

Joon.8

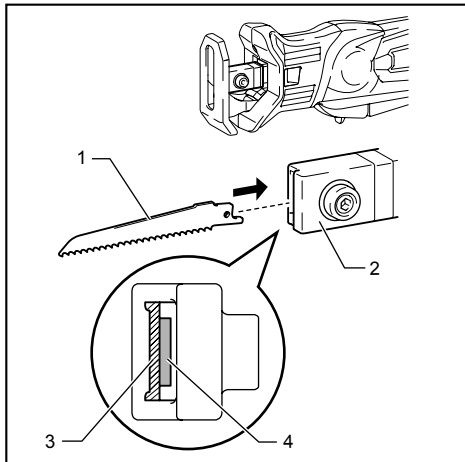


1. Lõikesaetera
2. Kuuskantvõti
3. Ava lõikesaetera jaoks
4. Saelehe rakis

014048

Saetera paigaldamiseks lõdvendage polti kuuskantvõtmega.

Lõikesaetera paigaldamisel vajutage polti kuuskantvõtmega, et avada pilu tera sisestamise ajal.



1. Saetera
2. Saelehe rakis
3. Ava lõikesaetera jaoks
4. Ava tikksaetera jaoks

014047

Joon.9

Te saate kasutada nii tikksaeterasid (B-tüüp) kui lõikesaeterasid vastavalt teostatavale tööle. Sisestage saetera otse teraklambrisse ja pingutage seda kuuskantvõtmega. Tõmmake kergelt saetera veendumaks, et see töötamise ajal küljest ära ei kuku.

Saetera eemaldamiseks järgige paigaldamise protseduuri vastupidises järjekorras.

Kuuskantvõtme hoiolepanek

Joon.10

Pange ajaks, mil te seda ei kasuta, kuuskantvõti joonisel näidatud viisil hoiole, et see ära ei kaoks.

TÖÖRIISTA KASUTAMINE

⚠HOIATUS:

- Suruge tald töö käigus alati kindlalt töödeldava detaili vastu. Kui talda hoitakse töö käigus töödeldavast detailist eemal, tekib tugev vibratsioon ja/või väändumine, mille tõttu võib tera ohtlikult puruneda.
- Metallil lõikamisel kandke alati kindaid, et kaitsta käsi õhkupaiskuvate kuumade laastude eest.
- Kandke kindlasti alati sobivaid kaitseprille, mis vastavad kehtivatele riiklikele standarditele.
- Kasutage metallil lõikamisel alati sobivat jahutusainet (metallitõõlusõli). Vastasel korral on tagajärjeks tera enneaegne kulumine.

Joon.11

Suruge tald kindlalt töödeldava detaili vastu. Ärge laske tööriistal hüpata. Pange saetera kergelt vastu töödeldavat detaili. Kõigepealt tehke madalamal kiirusel eelsoon. Seejärel jätkake lõikamist suuremal kiirusel.

Joon.12

Joon.13

- Te saate kasutada hooblülilit või päästiklülilit vastavalt teostatavale tööle.

MÄRKUS:

- Kui tööriistaga töötatakse järjest seni, kuni akukassett on tühi, laske tööriistal enne uue akuga töö jätkamist 15 minutit seista.

HOOLDUS

⚠HOIATUS:

- Kandke alati enne kontroll- või hooldustoimingute teostamist hoolt selle eest, et tööriist oleks välja lülitatud ja akukassett korpuse küljest eemaldatud.
- Ärge kunagi kasutage bensiini, vedeldit, alkoholi ega midagi muud sarnast. Selle tulemuseks võib olla luitumine, deformatsioon või pragunemine.

Toote OHUTUSE ja TÖÖKINDLUSE tagamiseks tuleb vajalikud remonttööd, muud hooldus- ja reguleerimistööd lasta teha Makita volitatud teeninduskeskustes. Alati tuleb kasutada Makita varuosi.

VALIKULISED TARVIKUD

⚠HOIATUS:

- Neid tarvikuid ja lisaseadiseid on soovitatav kasutada koos Makita tööriistaga, mille kasutamist selles kasutusjuhendis kirjeldatakse. Muude tarvikute ja lisaseadiste kasutamisega kaasneb vigastada saamise oht. Kasutage tarvikuid ja lisaseadiseid ainult otstarvetel, milleks need on ette nähtud.

Saate vajadusel kohalikust Makita teeninduskeskusest lisateavet nende tarvikute kohta.

- Lõikesaeterad
- Tikksaeterad (ainult mudelid DJR145, DJR185)
- Makita algupärane aku ja laadija

MÄRKUS:

- Mõned nimekirjas loetletud tarvikud võivad kuuluda standardvarustusse ning need on lisatud tööriista pakendisse. Need võivad riikide lõikes erineda.

РУССКИЙ ЯЗЫК (Оригинальная инструкция)

Объяснения общего плана

1-1. Красный индикатор	4-1. Лампа	8-1. Шестигранный ключ
1-2. Кнопка	5-1. Шестигранный ключ	8-2. Болт
1-3. Блок аккумулятора	5-2. Болт с шестигранной головкой	8-3. Ослабить
2-1. Звездочка	5-3. Ослабить	8-4. Затянуть
3-1. Кнопка разблокирования	6-1. Полотно для сабельных пил	10-1. Шестигранный ключ
3-2. Рычаг разблокирования	6-2. Муфта зажима полотна	10-2. Выступ
3-3. Рычаг переключателя	7-1. Пильный диск	
3-4. Курковый выключатель	7-2. Муфта зажима полотна	

ТЕХНИЧЕСКИЕ ХАРАКТЕРИСТИКИ

Модель		DJR143	DJR145	DJR183	DJR185
Длина хода		13 мм			
Ходов в минуту (мин ⁻¹)		0 - 3 000			
Макс. Режущие возможности	Труба	50 мм			
	Дерево	50 мм			
Общая длина		392 мм (с BL1415)		392 мм (с BL1815 / BL1815N / BL1820)	
		397 мм (с BL1430 / BL1440)		398 мм (с BL1830 / BL1840 / BL1850)	
Вес нетто		1,5 кг (с BL1415)		1,5 кг (с BL1815 / BL1815N / BL1820)	
		1,7 кг (с BL1430 / BL1440)		1,8 кг (с BL1830 / BL1840 / BL1850)	
Номинальное напряжение		14,4 В пост. Тока		18 В пост. Тока	

• Благодаря нашей постоянно действующей программе исследований и разработок, указанные здесь технические характеристики могут быть изменены без предварительного уведомления.

• Технические характеристики и аккумуляторный блок могут отличаться в зависимости от страны.

• Масса (с аккумуляторным блоком) в соответствии с процедурой EPTA 01.2003

ENE020-1

ENG900-1

Использование по назначению

Данный инструмент предназначен для распиливания древесины, резки пластика и черного металла.

ENG905-1

Вибрация

Суммарное значение вибрации (сумма векторов по трем осям) определяется по следующим параметрам EN60745:

Шум

Типичный уровень взвешенного звукового давления (A), измеренный в соответствии с EN60745:

Модель DJR143, DJR185

Уровень звукового давления (L_{pA}): 76 дБ (A)

Погрешность (K): 3 дБ (A)

Уровень шума при выполнении работ может превышать 80 дБ (A).

Модель DJR145, DJR183

Уровень звукового давления (L_{pA}): 77 дБ (A)

Погрешность (K): 3 дБ (A)

Уровень шума при выполнении работ может превышать 80 дБ (A).

Используйте средства защиты слуха

Модель DJR143, DJR145

Рабочий режим: распиливание досок

Распространение вибрации ($a_{h,B}$): 7,0 м/с²

Погрешность (K): 1,5 м/с²

Рабочий режим: распиливание деревянных балок

Распространение вибрации ($a_{h,WB}$): 7,0 м/с²

Погрешность (K): 1,5 м/с²

Модель DJR183, DJR185

Рабочий режим: распиливание досок

Распространение вибрации ($a_{h,B}$): 8,0 м/с²

Погрешность (K): 1,5 м/с²

Рабочий режим: распиливание деревянных балок

Распространение вибрации ($a_{h,WB}$): 7,0 м/с²

Погрешность (K): 1,5 м/с²

- Заявленное значение распространения вибрации измерено в соответствии со стандартной методикой испытаний и может быть использовано для сравнения инструментов.
- Заявленное значение распространения вибрации можно также использовать для предварительных оценок воздействия.

⚠ ПРЕДУПРЕЖДЕНИЕ:

- Распространение вибрации во время фактического использования электроинструмента может отличаться от заявленного значения в зависимости от способа применения инструмента.
- Обязательно определите меры безопасности для защиты оператора, основанные на оценке воздействия в реальных условиях использования (с учетом всех этапов рабочего цикла, таких как выключение инструмента, работа без нагрузки и включение).

ENH101-17

Только для европейских стран

Декларация о соответствии ЕС

Makita заявляет, что следующее устройство (устройства):

Обозначение устройства:

Аккумуляторная сабельная пила

Модель / тип: DJR143, DJR145, DJR183, DJR185

Соответствует (ют) следующим директивам ЕС:
2006/42/ЕС

Изготовлены в соответствии со следующим стандартом или нормативными документами:

EN60745

Технический файл в соответствии с документом 2006/42/ЕС доступен по адресу:

Makita, Jan-Baptist Vinkstraat 2, 3070, Belgium

31.12.2013



000331

Ясуси Фукайа (Yasushi Fukaya)

Директор

Makita, Jan-Baptist Vinkstraat 2, 3070, Belgium

GEA010-1

Общие рекомендации по технике безопасности для электроинструментов

⚠ ПРЕДУПРЕЖДЕНИЕ Ознакомьтесь со всеми инструкциями и рекомендациями по технике безопасности. Невыполнение инструкций и

рекомендаций может привести к поражению электротоком, пожару и/или тяжелым травмам.

Сохраните брошюру с инструкциями и рекомендациями для дальнейшего использования.

GEB048-2

ПРАВИЛА ТЕХНИКИ БЕЗОПАСНОСТИ ПРИ ЭКСПЛУАТАЦИИ АККУМУЛЯТОРНОЙ ВОЗВРАТНО-ПОСТУПАТЕЛЬНОЙ ПИЛЫ

1. Если при выполнении работ существует риск контакта режущего инструмента со скрытой электропроводкой, держите электроинструмент за специально предназначенные изолированные поверхности. Контакт с проводом под напряжением приведет к тому, что металлические детали инструмента также будут под напряжением, что приведет к поражению оператора электрическим током.
2. Для фиксации разрезаемой детали на устойчивой поверхности используйте зажимы или другие соответствующие приспособления. Никогда не держите распиливаемые детали в руках и не прижимайте их к телу, так как это не обеспечит устойчивого положения детали и может привести к потере контроля над инструментом.
3. **Всегда надевайте защитные очки или защитную маску для лица. Обычные или солнцезащитные очки НЕ ЯВЛЯЮТСЯ защитными очками.**
4. Избегайте попадания режущего инструмента на гвозди. Перед пилением осмотрите деталь и убедитесь в отсутствии гвоздей.
5. Не распиливайте детали, превышающие возможности инструмента.
6. Убедитесь в наличии свободного пространства за распиливаемой деталью, чтобы плотно не уперлось в пол, верстак и т. п.
7. Крепко держите инструмент.
8. Перед включением выключателя убедитесь в том, что лезвие не касается обрабатываемой детали.
9. Руки должны находиться на расстоянии от движущихся деталей.
10. Не оставляйте работающий инструмент без присмотра. Включайте инструмент только тогда, когда он находится в руках.
11. Перед извлечением полотна из детали всегда выключайте инструмент и ждите остановки движения полотна.

12. Сразу после окончания работ не прикасайтесь к полотну или разрезаемой детали. Они могут быть очень горячими, что приведет к ожогам кожи.
13. Без необходимости не эксплуатируйте инструмент без нагрузки.
14. Всегда используйте соответствующую пылезащитную маску/респиратор для защиты дыхательных путей от пыли разрезаемых материалов.
15. Некоторые материалы могут содержать токсичные химические вещества. Примите соответствующие меры предосторожности, чтобы избежать вдыхания или контакта с кожей таких веществ. Соблюдайте требования, указанные в паспорте безопасности материала.

СОХРАНИТЕ ДАННЫЕ ИНСТРУКЦИИ.

⚠ ПРЕДУПРЕЖДЕНИЕ:

НЕ ДОПУСКАЙТЕ, чтобы удобство или опыт эксплуатации данного устройства (полученный от многократного использования) доминировали над строгим соблюдением правил техники безопасности при обращении с этим устройством. НЕПРАВИЛЬНОЕ ИСПОЛЬЗОВАНИЕ инструмента или несоблюдение правил техники безопасности, указанных в данном руководстве, может привести к тяжелой травме.

ENC007-8

ВАЖНЫЕ ИНСТРУКЦИИ ПО ТЕХНИКЕ БЕЗОПАСНОСТИ ДЛЯ АККУМУЛЯТОРНОГО БЛОКА

1. Перед использованием аккумуляторного блока прочитайте все инструкции и предупреждающие надписи на (1) зарядном устройстве, (2) аккумуляторном блоке и (3) инструменте, работающем от аккумуляторного блока.
2. Не разбирайте аккумуляторный блок.
3. Если время работы аккумуляторного блока значительно сократилось, немедленно прекратите работу. В противном случае, может возникнуть перегрев блока, что приведет к ожогам и даже к взрыву.
4. В случае попадания электролита в глаза, промойте их обильным количеством чистой воды и немедленно обратитесь к врачу. Это может привести к потере зрения.
5. Не замыкайте контакты аккумуляторного блока между собой:

- (1) Не прикасайтесь к контактам какими-либо токопроводящими предметами.
 - (2) Не храните аккумуляторный блок в контейнере вместе с другими металлическими предметами, такими как гвозди, монеты и т. п.
 - (3) Не допускайте попадания на аккумуляторный блок воды или дождя. Замыкание контактов аккумуляторного блока между собой может привести к возникновению большого тока, перегреву, возможным ожогам и даже разрыву блока.
6. Не храните инструмент и аккумуляторный блок в местах, где температура может достигать или превышать 50 ° C (122 ° F).
 7. Не бросайте аккумуляторный блок в огонь, даже если он сильно поврежден или полностью вышел из строя. Аккумуляторный блок может взорваться под действием огня.
 8. Не роняйте и не ударяйте аккумуляторный блок.
 9. Не используйте поврежденный аккумуляторный блок.
 10. Выполняйте требования местного законодательства относительно утилизации аккумуляторного блока.

СОХРАНИТЕ ДАННЫЕ ИНСТРУКЦИИ.

Советы по обеспечению максимального срока службы аккумуляторного блока

1. Заряжайте аккумуляторный блок до того, как он полностью разрядится. В случае потери мощности при эксплуатации инструмента, прекратите работу и зарядите аккумуляторный блок.
2. Никогда не заряжайте полностью заряженный аккумуляторный блок. Перезарядка сокращает срок службы блока.
3. Заряжайте аккумуляторный блок при комнатной температуре в пределах от 10 ° C до 40 ° C (от 50 ° F до 104 ° F). Перед зарядкой дайте горячему аккумуляторному блоку остыть.
4. Если инструмент не используется в течение длительного времени, заряжайте аккумуляторный блок один раз в шесть месяцев.

ОПИСАНИЕ ФУНКЦИОНИРОВАНИЯ

⚠ ПРЕДУПРЕЖДЕНИЕ:

- Перед регулировкой или проверкой функционирования всегда отключайте инструмент и вынимайте блок аккумуляторов.

Установка или снятие блока аккумуляторов

Рис.1

⚠ ПРЕДУПРЕЖДЕНИЕ:

- Обязательно выключайте инструмент перед установкой и извлечением аккумуляторного блока.
- При установке или снятии аккумуляторного блока надежно удерживайте инструмент и аккумуляторный блок. Иначе инструмент или аккумуляторный блок могут выскользнуть из рук, что может привести к травмам или повреждению инструмента и аккумуляторного блока.

Для снятия аккумуляторного блока нажмите кнопку на лицевой стороне и извлеките блок.

Для установки аккумуляторного блока совместите выступ блока с пазом в корпусе и задвиньте его на место. Устанавливайте блок до упора так, чтобы он зафиксировался на месте с небольшим щелчком. Если вы можете видеть красный индикатор на верхней части клавиши, аккумуляторный блок не полностью установлен на месте.

⚠ ПРЕДУПРЕЖДЕНИЕ:

- Обязательно устанавливайте аккумуляторный блок до конца, чтобы красный индикатор не был виден. В противном случае аккумуляторный блок может выпасть из инструмента и нанести травму вам или другим людям.
- Не прилагайте чрезмерных усилий при установке аккумуляторного блока. Если блок не двигается свободно, значит он вставлен неправильно.

Система защиты аккумуляторной батареи (ионно-литиевый аккумуляторный блок со звездочкой)

Рис.2

В ионно-литиевых аккумуляторных блоках со звездочкой предусмотрена система защиты. Она автоматически отключает питание для продления срока службы аккумуляторного блока.

Инструмент автоматически остановится во время работы при возникновении указанных ниже ситуаций:

- Перегрузка:
Из-за способа эксплуатации инструмент потребляет очень большое количество тока. В этом случае отпустите рычаг/курковый выключатель на инструменте и прекратите использование, повлекшее перегрузку инструмента. Затем нажмите на рычаг/курковый выключатель, чтобы перезапустить инструмент.
Если инструмент не включается, значит, перегрелся аккумуляторный блок. В этом случае дайте ему остыть перед повторным нажатием на рычаг/курковый выключатель.
- Низкое напряжение аккумуляторной батареи:
Уровень оставшегося заряда аккумулятора слишком низкий и инструмент не работает. В этом случае снимите и зарядите аккумуляторный блок.

Действие выключателя

⚠ ПРЕДУПРЕЖДЕНИЕ:

- Перед установкой аккумуляторного блока в инструмент обязательно убедитесь, что его рычаг/курковый выключатель нормально работает и возвращается в положение "OFF" (ВЫКЛ.) при отпускинии.

Рис.3

Для предотвращения случайного нажатия рычаг/курковый выключатель оборудован блокирующим рычагом/кнопкой.

Для включения инструмента достаточно просто нажать на рычаг или курковый выключатель.

- При использовании рычага для включения инструмента нажмите рычаг разблокировки, а затем рычаг включения.
- При использовании куркового выключателя для включения инструмента нажмите кнопку разблокировки, а затем курковый выключатель. Кнопку разблокировки можно нажимать как с левой, так и с правой стороны.

Для увеличения числа оборотов нажмите рычаг/курковый выключатель сильнее. Для выключения инструмента отпустите рычаг/курковый выключатель.

ПРИМЕЧАНИЕ:

Не давите сильно на рычаг/курковый выключатель, не нажав рычаг/кнопку разблокировки. Это может привести к поломке выключателя.

Включение передней лампы

Рис.4

⚠ ПРЕДУПРЕЖДЕНИЕ:

- Не смотрите непосредственно на свет или источник света.

Нажмите на рычаг/курковый выключатель для включения лампы. Лампа будет светиться до тех пор, пока нажат рычаг/курковый выключатель.

Лампа автоматически гаснет через 10-15 секунд после отпускания рычага/куркового выключателя.

Регулировка башмака

Рис.5

Когда полотно утратит свои режущие качества в одном месте его режущей кромки, переместите башмак для использования острой режущей кромки неиспользованной части полотна. Это позволит продлить срок службы полотна.

Для изменения положения башмака ослабьте болт шестигранным ключом.

Сдвиньте башмак в нужное положение и затем плотно затяните болт.

МОНТАЖ

⚠ ПРЕДУПРЕЖДЕНИЕ:

- Перед проведением каких-либо работ с инструментом всегда проверяйте, что инструмент отключен, а блок аккумуляторов снят.

Установка или снятие ножовочного полотна

⚠ ПРЕДУПРЕЖДЕНИЕ:

- Всегда вычищайте щепки и другие инородные вещества, прилипающие к полотну, держателю и/или ползунку полотна. Несоблюдение данного требования может привести к недостаточной натяжке полотна и серьезной травме.

Для моделей DJR143, DJR183

Рис.6

Вставьте сабельное ножовочное полотно в зажим полотна до упора. Втулка зажима полотна повернется и зафиксирует полотно. Убедитесь, что полотно не может быть извлечено из зажима, даже если вы потянете за него.

⚠ ПРЕДУПРЕЖДЕНИЕ:

- Если вы не вставите ножовочное полотно достаточно глубоко, при работе ножовочное полотно может неожиданно выскочить. Это может быть чрезвычайно опасно.

Примечание:

- С DJR143 и DJR183 нельзя использовать полотно лобзика.

Рис.7

Чтобы снять ножовочное полотно, поверните муфту держателя полотна до конца в направлении стрелки. Ножовочное полотно вынимается, а муфта держателя полотна фиксируется в разомкнутом положении.

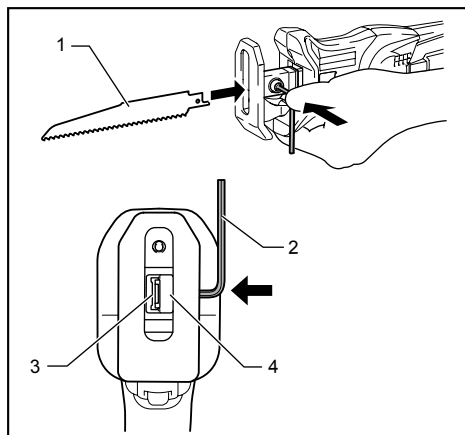
Примечание:

- Если вы вытащили пыльное полотно, но повернув зажимную соединительную муфту до упора, это значит, что муфта не зафиксирована.

В этом случае снова поверните зажимную соединительную муфту до упора и убедитесь, что она зафиксировалась в открытом положении.

Для моделей DJR145, DJR185

Рис.8

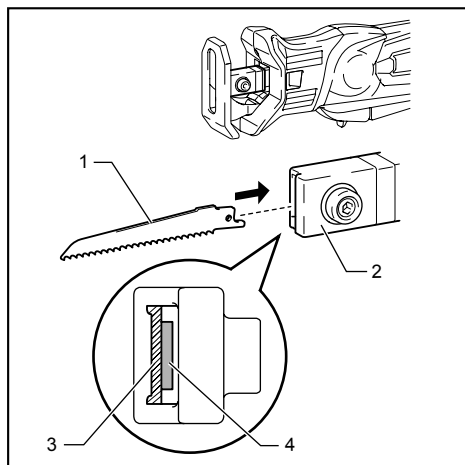


1. Полотно для сабельных пил
2. Шестигранный ключ
3. Отверстие для полотна для сабельных пил
4. Зажим лезвия

014048

Для установки полотна пилы ослабьте болт шестигранным ключом.

При установке полотна для сабельных пил нажмите на болт шестигранным ключом, чтобы открыть паз в момент установки полотна.



1. Пильный диск
2. Зажим лезвия
3. Отверстие для полотна для сабельных пил
4. Отверстие для полотна лобзика

014047

Рис.9

В зависимости от типа работ можно использовать полотно лобзика (тип В) или полотно для сабельных пил. Вставьте полотно пилы в зажим и затяните шестигранным ключом. Слегка потяните за полотно, чтобы убедиться, что оно не выпадет во время работы. Для снятия полотна пилы повторите процедуру установки в обратном порядке.

Хранение шестигранного ключа

Рис.10

Когда шестигранный ключ не используется, храните его, как показано на рисунке, чтобы не потерять.

ЭКСПЛУАТАЦИЯ

⚠ ПРЕДУПРЕЖДЕНИЕ:

- При работе всегда крепко прижимайте башмак к обрабатываемой детали. Если при работе держать башмак на расстоянии от обрабатываемой детали, это может привести к сильной вибрации и/или скручиванию, при этом полотно будет опасно захватываться.
- При резке металла всегда надевайте перчатки для защиты рук от горячей летящей стружки.
- Обязательно надевайте соответствующие средства защиты глаз, соответствующие действующим национальным стандартам.
- При резке металла всегда пользуйтесь подходящей охлаждающей жидкостью (масло для резки). Несоблюдение данного предупреждения приведет к преждевременному износу полотна.

Рис.11

Хорошо прижимайте башмак к распиливаемой детали. Не допускайте отскока инструмента. В начале резки не прижимайте сильно полотно пилы к детали. Сначала сделайте пробный разрез с небольшой скоростью. Затем увеличьте число оборотов и продолжите распиливание.

Рис.12

Рис.13

- В зависимости от типа работ можно использовать рычаг или курковый выключатель.

Примечание:

- Если инструмент эксплуатировался непрерывно до разряда блока аккумуляторов, сделайте перерыв на 15 минут перед началом работы с заряженным аккумулятором.

ТЕХОБСЛУЖИВАНИЕ

⚠ ПРЕДУПРЕЖДЕНИЕ:

- Перед проведением проверки или работ по техобслуживанию, всегда проверяйте, что инструмент выключен, а блок аккумуляторов вынут.
- Запрещается использовать бензин, лигроин, растворитель, спирт и т.п. Это может привести к изменению цвета, деформации и появлению трещин.

Для обеспечения БЕЗОПАСНОСТИ и НАДЕЖНОСТИ оборудования, ремонт, любое другое техобслуживание или регулировку необходимо производить в уполномоченных сервис-центрах Makita, с использованием только сменных частей производства Makita.

ДОПОЛНИТЕЛЬНЫЕ ПРИНАДЛЕЖНОСТИ

⚠ ПРЕДУПРЕЖДЕНИЕ:

- Эти принадлежности или насадки рекомендуется использовать вместе с вашим инструментом Makita, описанным в данном руководстве. Использование каких-либо других принадлежностей или насадок может представлять опасность получения травм. Используйте принадлежность или насадку только по указанному назначению.

Если вам необходимо содействие в получении дополнительной информации по этим принадлежностям, свяжитесь со своим местным сервис-центром Makita.

- Полотно для сабельных пил
- Полотна лобзика (только для моделей DJR145, DJR185)
- Оригинальный аккумулятор и зарядное устройство Makita

Примечание:

- Некоторые элементы списка могут входить в комплект инструмента в качестве стандартных приспособлений. Они могут отличаться в зависимости от страны.

Makita Jan-Baptist Vinkstraat 2, 3070, Belgium
Makita Corporation Anjo, Aichi, Japan