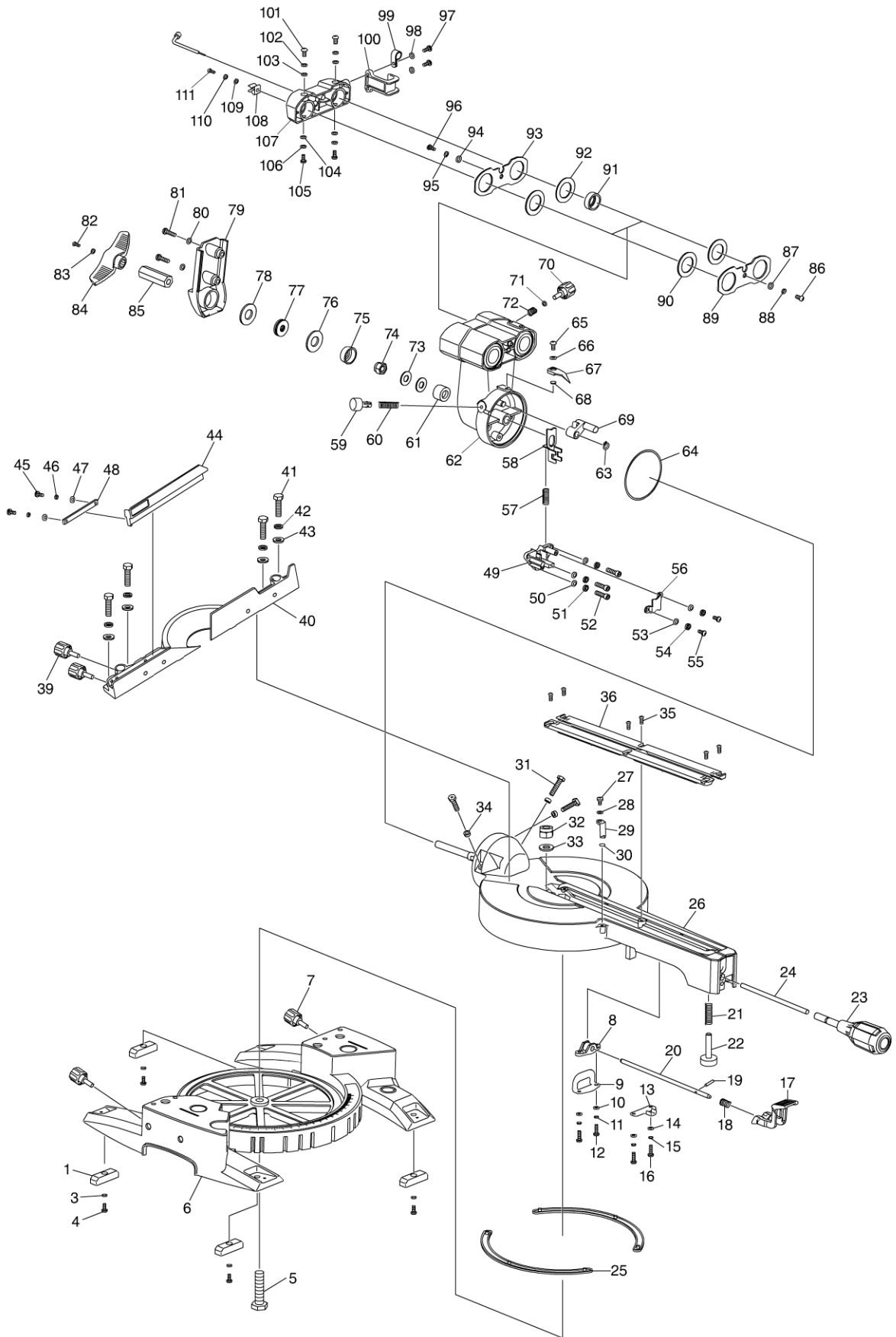
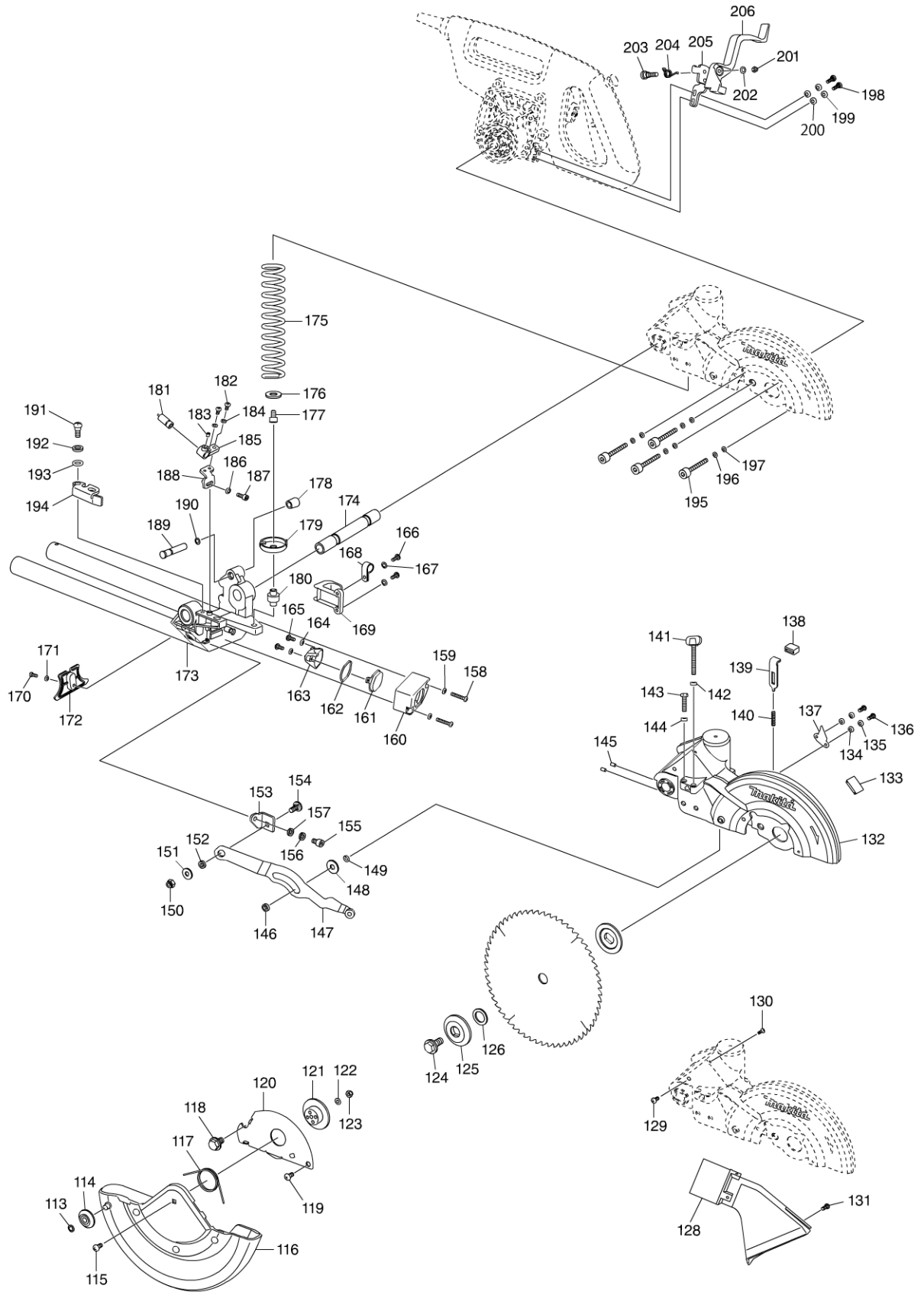


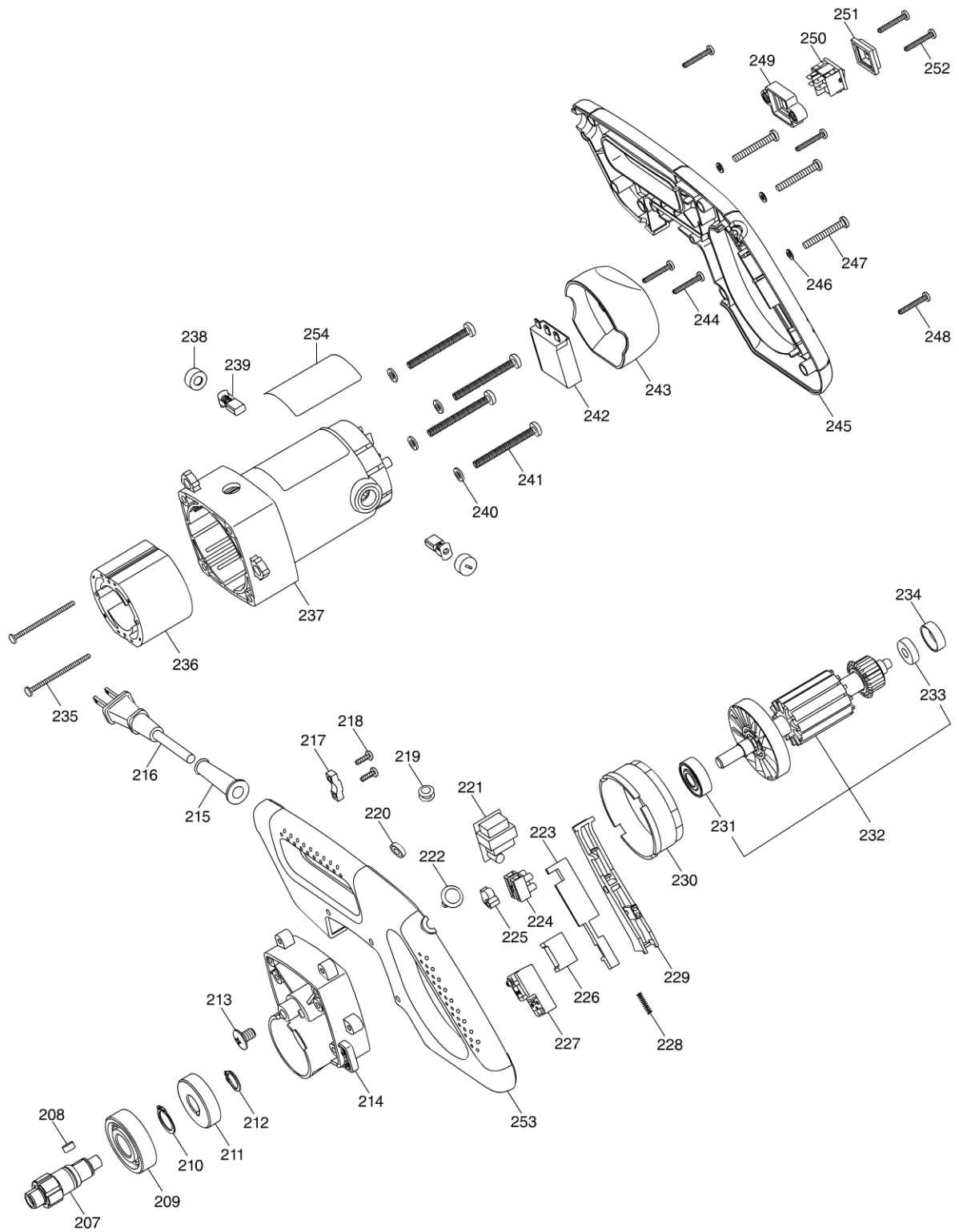
# Model No. LS0815FL SLIDE COMPOUND MITER SAW 216MM



# Model No. LS0815FL SLIDE COMPOUND MITER SAW 216MM



# Model No. LS0815FL SLIDE COMPOUND MITER SAW 216MM



**Model No. LS0815FL SLIDE COMPOUND MITER SAW 216MM**

Item	Parts No.	Description	I/C	Qty	N/O	Opt. 1	Opt. 2	Note
001	JM23500132	BUFFER PAD		4				
003	JM23100016	FLAT WASHER 4		4				
004	JM23500008	CROSS HEAD SCREW M4X10		4				
005	JM23500009	PIVOT SHAFT		1				
006	JM23510001	BASE COMPLETE		1				
C10	JM23500010	MITER SCALE LABEL		1				
C20	JM2708A060	CAUTION LABEL		2				
C30	JM23500011	BASE		1				
C40	JM2318A058	CAUTION LABEL		1				
007	JM23100013	KNOB FOR EXT.WING		2				
008	JM23100025	WORKING TABLE LOCKING BRACKE		1				
009	JM23100020	LOCK PLATE B		1				
010	JM23100016	FLAT WASHER 4		2				
011	JM23100015	SPRING WASHER 4		2				
012	JM23100014	CROSS HEAD SCREW M4X15		2				
013	JM23100018	LOCK PLATE A		1				
014	JM23100016	FLAT WASHER 4		2				
015	JM23100015	SPRING WASHER 4		2				
016	JM23100014	CROSS HEAD SCREW M4X15		2				
017	JM23100023	PRESS PLATE		1				
018	JM23100021	LOCK SPRING		1				
019	JM23100022	LOCK PIN		1				
020	JM23500015	LOCK SHAFT B		1				
021	JM23500014	SPRING11		1				
022	JM23500013	ADJUSTABLE ROD		1				
023	JM23100027	MITER LOCKING HANDLE		1				
024	JM23500016	LOCK SHAFT A		1				
025	JM23500012	FRICTION PLATE		2				
026	JM23510002	WORKING TABLE COMPLETE		1				
C10	JM23500017	BEVEL SCALE LABEL		1				
C20	JM23500018	LOCKING ROD		1				
C30	JM23500019	WORKING TABLE		1				
C40	JM23500020	ELASTIC PIN 4X30		1				
C50	JM23500021	HEX NUT M10		1				
027	JM23500008	CROSS HEAD SCREW M4X10		1				
028	JM23100016	FLAT WASHER 4		1				
029	JM23100030	MITER POINTER		1				
030	JM23500053	OUT STAR WASHER		1				
031	JM23100034	HEX BOLT M6X28		3				
032	JM23500023	LOCKNUT M8		1				
033	JM23500022	FLAT WASHER 8		1				
034	JM23100035	ANTI-LOOSEN RING		3				
035	JM23500008	CROSS HEAD SCREW M4X10		6				
036	JM23100029	TABLE INSERT		2				
039	JM23100013	KNOB FOR EXT.WING		2				
040	JM23500026	RIP FENCE		1				
041	JM23100062	HEX BOLT M8X30		4				
042	JM23100061	SPRING WASHER 8		4				

Please order the parts with a part number.

Print Date 30/09/2014

**Model No. LS0815FL SLIDE COMPOUND MITER SAW 216MM**

Item	Parts No.	Description	I/C	Qty	N/O	Opt. 1	Opt. 2	Note
043	JM23100060	FLAT WASHER 8		4				
044	JM23510013	SUB FENCE COMPLETE		1				
C10	JM23500127	SUB FENCE		1				
C20	JM23580063	CAUTION LABEL		1				
045	JM23100065	CROSS HEAD SCREW M4X8		2				
046	JM23100015	SPRING WASHER 4		2				
047	JM23100016	FLAT WASHER 4		2				
048	JM23500024	KEY		1				
049	JM23500095	45DEGREE LIMIT BRACKET		1				
050	JM23100007	FLAT WASHER 5		3				
051	JM23100149	SPRING WASHER 5		3				
052	JM23500096	H.S.BOLT M5X14		3				
053	JM23100016	FLAT WASHER 4		2				
054	JM23100015	SPRING WASHER 4		2				
055	JM23500008	CROSS HEAD SCREW M4X10		2				
056	JM23500097	45DEGREE COVER		1				
057	JM23500094	SPRING8		1				
058	JM23500093	45DEGREE LIMIT PLATE		1				
059	JM23100051	LIMITED KNOB		1				
060	JM23100049	MITER PRESSION SPRING		1				
061	JM23100052	CLAMP PLATE		1				
062	JM23510008	SUPPORT ARM COMPLTE		1				
C10	JM23100087	LOCK SCREW M6X8		2				
C20	JM23500089	LINEAR BEARING		3				
C30	JM23100081	BUFFER		2				
C40	JM23500090	SUPPORT ARM		1				
C50	JM23500091	ANGLE LIMIT		1				
C60	JM23500092	BEARING GASKET		1				
063	JM23500079	RETAINING RING 8		1				
064	JM23500078	FRICTION RING		1				
065	JM23100014	CROSS HEAD SCREW M4X15		1				
066	JM23100016	FLAT WASHER 4		1				
067	JM23100048	BEVEL POINTER		1				
068	JM23500053	OUT STAR WASHER		1				
069	JM23500080	90DEGREE LIMIT BRACKET		1				
070	JM23100086	SLIDING BAR LOCKING KNOB		1				
071	JM23100190	SPECIAL WASHER 6		1				
072	JM23100088	PRESSURE SPRING		1				
073	JM23100010	FLAT WASHER 10		2				
074	JM23100009	LOCKNUT M10		1				
075	JM23100053	BOWL TYPE PLATE		1				
076	JM23100055	BIG FLAT WASHER 10X26X2.5		1				
077	JM23100054	SURFACE BEARING		1				
078	JM23100055	BIG FLAT WASHER 10X26X2.5		1				
079	JM23500086	SUPPORT ARM COVER		1				
080	JM23100007	FLAT WASHER 5		2				
081	JM23100006	CROSS HEAD SCREW M5X20		2				
082	JM23100019	CROSS HEAD SCREW M4X18		1				

**Model No. LS0815FL SLIDE COMPOUND MITER SAW 216MM**

Item	Parts No.	Description	I/C	Qty	N/O	Opt. 1	Opt. 2	Note
083	JM23100016	FLAT WASHER 4		1				
084	JM23500087	BEVEL LOCKING HANDLE		1				
085	JM23500088	HEX NUT		1				
086	JM23500081	CROSS HEAD SCREW M5X		1				
087	JM23100007	FLAT WASHER 5		1				
088	JM23100149	SPRING WASHER 5		1				
089	JM23500082	SUPPORT ARM COVER		1				
090	JM23500083	DUSTPROOF RING		2				
091	JM23500084	BEARING GASKET		1				
092	JM23500083	DUSTPROOF RING		2				
093	JM23500082	SUPPORT ARM COVER		1				
094	JM23100007	FLAT WASHER 5		1				
095	JM23100149	SPRING WASHER 5		1				
096	JM23500081	CROSS HEAD SCREW M5X		1				
097	JM23100019	CROSS HEAD SCREW M4X18		2				
098	JM23100016	FLAT WASHER 4		2				
099	JM23100072	CORD CLAMP		1				
100	JM23500066	CABLE HOLDER BRACKET		1				
101	JM23500081	CROSS HEAD SCREW M5X		2				
102	JM23100149	SPRING WASHER 5		2				
103	JM23100007	FLAT WASHER 5		2				
104	JM23100007	FLAT WASHER 5		2				
105	JM23500081	CROSS HEAD SCREW M5X		2				
106	JM23100149	SPRING WASHER 5		2				
107	JM23500085	SLIDING BAR BRACKET		1				
108	JM23100091	WRENCH CLIP		1				
109	JM23100016	FLAT WASHER 4		1				
110	JM23100015	SPRING WASHER 4		1				
111	JM23100014	CROSS HEAD SCREW M4X15		1				
113	JM23100103	WHEEL LOCK RING		1				
114	JM23100102	GUARD WHEEL		1				
115	JM23500031	SQUARE NECK BOLT M5X12		1				
116	JM23510004	LOW BLADE GUARD		1				
C10	JM23500032	LOW BLADE GUARD		1				
C20	JM23500033	LOW GUARD SUPPORT PLATE		1				
C30	JM23100104	FLAT WASHER 5		3				
C40	JM23100101	GUARD RIVET		3				
117	JM23500035	GUARD SPRING		1				
118	JM23500134	HEX BOLT M8X15		1				
119	JM23100113	CROSSHEAD SCREW FOR GUARD		1				
120	JM23500036	LOW GUARD FIX PLATE		1				
121	JM23500037	GUARD LINKAGE CENTER PLATE		1				
122	JM23100007	FLAT WASHER 5		1				
123	JM23100141	LOCKNUT M5		1				
124	JM23500135	BLADE BOLT		1				
125	JM23500038	BLADE FLANGE		2				
126	JM23100144	BLADE INNER RING		1				
128	JM23500039	DUST PORT		1				

Please order the parts with a part number.

Print Date 30/09/2014

**Model No. LS0815FL SLIDE COMPOUND MITER SAW 216MM**

Item	Parts No.	Description	I/C	Qty	N/O	Opt. 1	Opt. 2	Note
129	JM23100193	PIN C		1				
130	JM23100193	PIN C		1				
131	JM23500034	CROSS HEAD SCREW		1				
132	JM23510005	UP BLADE GUARD COMPLETE		1				
C10	JM23500046	UP BLADE GUARD		1				
C20	JM23100114	LINK PIN		1				
C30	JM23100147	BUFFER		1				
133	JM23500047	GUARD INSERT		1				
134	JM23100016	FLAT WASHER 4		2				
135	JM23100015	SPRING WASHER 4		2				
136	JM23100014	CROSS HEAD SCREW M4X15		2				
137	JM23500048	LOCK PLATE		1				
138	JM23100138	LOCK COVER		1				
139	JM23500050	LOCK PLATE		1				
140	JM23500049	LOCK SPRING5		1				
141	JM23100119	LIMITED KNOB		1				
142	JM23100035	ANTI-LOOSEN RING		1				
143	JM23500051	HEX BOLT M6X25		1				
144	JM23100035	ANTI-LOOSEN RING		1				
145	JM23500052	H.S.SET SCREW		2				
146	JM23100098	LINK SLEEVE		1				
147	JM23510003	LINK COMPLETE		1				
C10	JM23500028	LINK		1				
C20	JM23500029	LINK PIN		1				
C30	JM23500030	BEARING 695Z		1				
148	JM23100071	THIN FLAT WASHER 6		1				
149	JM23100115	RETAINING RING 5		1				
150	JM23500027	LOCK THIN NUT		1				
151	JM23100071	THIN FLAT WASHER 6		1				
152	JM23100098	LINK SLEEVE		1				
153	JM23500055	LINK FIX PLATE		1				
154	JM23500054	SQUARE NECK BOLT M6X14		1				
155	JM23500071	H.S.BOLT M6X12		1				
156	JM23100151	SPRING WASHER 6		1				
157	JM23100190	SPECIAL WASHER 6		1				
158	JM23500056	CROSS HEAD SCREW M4X28		2				
159	JM23100016	FLAT WASHER 4		2				
160	JM23500057	LAMP COVER		1				
161	JM23500058	LAMP LENZ		1				
162	JM23500059	SEALING RING		1				
163	JM23510006	LAMP ASSY		1				
C10	JM23500060	REFLECTOR		1				
C20	JM23500061	LIGHT		1				
164	JM23500128	FLAT WASHER 3		2				
165	JM23500062	S.T.CROSS HEAD SCREW 9X13		2				
166	JM23100019	CROSS HEAD SCREW M4X18		2				
167	JM23100016	FLAT WASHER 4		2				
168	JM23100072	CORD CLAMP		1				

Please order the parts with a part number.

Print Date 30/09/2014

**Model No. LS0815FL SLIDE COMPOUND MITER SAW 216MM**

Item	Parts No.	Description	I/C	Qty	N/O	Opt. 1	Opt. 2	Note
169	JM23500066	CABLE HOLDER BRACKET		1				
170	JM23500008	CROSS HEAD SCREW M4X10		1				
171	JM23100016	FLAT WASHER 4		1				
172	JM23500077	BRACKET BACK COVER		1				
173	JM23510007	UP BLADE GUARD BRACKET		1				
C10	JM23500074	SILDING BAR		2				
C20	JM23500075	ELASTIC PIN 5		2				
C30	JM23500076	UP BLADE GUARD BRACKET		1				
C40	JM23180059	CAUTION LABEL		1				
174	JM23500064	CONNECTION SHAFT		1				
175	JM23500072	SPRING32		1				
176	JM23500022	FLAT WASHER 8		1				
177	JM23500071	H.S.BOLT M6X12		1				
178	JM23100097	PIN CAP		1				
179	JM23500065	SPRING BRACKET		1				
180	JM23500063	SPRING SUPPORT PIN		1				
181	JM23500070	LASER		1				
182	JM23500068	H.S.BOLT M4X8		2				
183	JM23500069	H.S.SET SCREW		1				
184	JM23100016	FLAT WASHER 4		2				
185	JM23500067	LASER BRACKET		1				
186	JM23100016	FLAT WASHER 4		1				
187	JM23100067	H.S.BOLT M4X12		1				
188	JM23500073	LASER MOVING PLATE		1				
189	JM23100093	PIN C		1				
190	JM23100150	SEALING RING		1				
191	JM23100096	DEPTH ADJUSTABLE PLATE BOLT		1				
192	JM23100060	FLAT WASHER 8		1				
193	JM23100094	WAVE SPRING WASHER		1				
194	JM23100092	CUTTING DEPTH ADJUSTABLE PLAT		1				
195	JM23500041	H.S.BOLT M6X40		4				
196	JM23100151	SPRING WASHER 6		4				
197	JM23100190	SPECIAL WASHER 6		4				
198	JM23100014	CROSS HEAD SCREW M4X15		2				
199	JM23100015	SPRING WASHER 4		2				
200	JM23100016	FLAT WASHER 4		2				
201	JM23100141	LOCKNUT M5		1				
202	JM23100007	FLAT WASHER 5		1				
203	JM23100139	LEVER SCREW		1				
204	JM23500045	LEVER SPRING		1				
205	JM23500044	LOCK LEVER BRACKET		1				
206	JM23500043	LOCK LEVER		1				
207	JM23500103	OUTPUT SHAFT		1				
208	JM23100156	KEY 5X10		1				
209	JM23100157	BEARING 6304		1				
210	JM23100158	RETAINING RING 20		1				
211	JM23500104	GEAR WHEEL		1				
212	JM23100160	RETAINING RING 16		1				



**Model No. LS0815FL SLIDE COMPOUND MITER SAW 216MM**

Item	Parts No.	Description	I/C	Qty	N/O	Opt. 1	Opt. 2	Note
213	JM23100161	OUTPUT SHAFT SCREW M8X12		1				
214	JM23510011	GEAR BOX COMPLETE		1				
C10	JM23500105	GEAR BOX		1				
C20	JM23100162	BUSH		1				
215	JM23100165	PROTECTION TUBE		1				
216	JM23000156	POWER SUPPLY CORD		1				
217	JM23100166	CORD CLAMP		1				
218	JM23100193	PIN C		2				
219	JM23500108	PROTECTIVE SLEEVE		1				
220	JM23500133	MAGNETIC RING ASSY		1				
221	JM23500109	TRANSFORMER		1				
222	JM23100177	BRAKE SYSTEM SWITCH KEY		1				
223	JM23100175	SWITCH LOCK PLATE		1				
224	JM23100171	TERMINAL POLE		1				
225	JM23100173	SWITCH LOCK BRACKET		1				
226	JM23100169	CAPACITOR		1				
227	JM23100179	ELECTRIC SWITCH		1				
228	JM23100176	SWITCH HANDLE SPRING		1				
229	JM23100174	SWITCH HANDLE		1				
230	JM23500110	BAFFLER RING		1				
231	JM23100027	MITER LOCKING HANDLE		1				
232	JM23500001	ARMATURE(230V)		1				
D10		INC. 231,233						
233	JM23500111	BEARING 608		1				
234	JM23500112	DAMPING RING		1				
235	JM23500113	S.T. CROSS HEAD 4.2X65		2				
236	JM23500004	FIELD 230V		1				
237	JM23510012	MOTOR HOUSING COMPLETE		1				
C10	JM23500114	MOTOR HOUSING		1				
C20	JM23500115	BRUSH HOLDER		2				
C30	JM23100185	H.S.SCREW M5X8		2				
C40	JM23180057	CAUTION LABEL		1				
C50	JM23180056	CAUTION LABEL		1				
238	JM23500116	BRUSH COVER		2				
239	JM23500117	CARBON BRUSH		2				
240	JM23100190	SPECIAL WASHER 6		4				
241	JM23500118	CROSS HEAD SCREW M6X60		4				
242	JM23100186	SOFT STARTER		1				
243	JM23500119	MOTOR REAR COVER		1				
244	JM23100167	SELF TAPPING SCREW M4X16		2				
245	JM23500121	RIGHT HANDLE		1				
246	JM23100007	FLAT WASHER 5		3				
247	JM23500123	CROSS HEAD SCREW M5X40		3				
248	JM23100167	SELF TAPPING SCREW M4X16		3				
249	JM23500124	SWITCH BRACKET		1				
250	JM23500125	LASER SWITCH		1				
251	JM23500126	LASER SWITCH PROTECTIVE COVE		1				
252	JM23500120	ST CROSS HEAD SCREW 4.2X28		2				

Please order the parts with a part number.

Print Date 30/09/2014

