

RYOBI®

RCS1400
RCS1600

ORIGINAL INSTRUCTIONS
TRADUCTION DES INSTRUCTIONS ORIGINALES
ÜBERSETZUNG DER ORIGINALANLEITUNG
TRADUCCIÓN DE LAS INSTRUCCIONES ORIGINALES
TRADUZIONE DELLE ISTRUZIONI ORIGINALI
VERTALING VAN DE ORIGINELE INSTRUCTIES
TRADUÇÃO DAS INSTRUÇÕES ORIGINAIS
OVERSETTELSE AF DE ORIGINELE INSTRUKTIONER
ÖVERSÄTTNING AV DE URSPRUNGLIGA INSTRUKTIONERNA
ALKUPERÄISTEN OHJEIDEN SUOMENNO
OVERSETTELSE AV DE ORIGINELE INSTRUKSJONENE
ПЕРЕВОД ОРИГИНАЛЬНЫХ ИНСТРУКЦИЙ
TŁUMACZENIE INSTRUKCJI ORYGINALNEJ
PŘEKLAD ORIGINÁLNÍCH POKYNŮ
AZ EREDETI ÚTMUTATÓ FORDÍTÁSA
TRADUCEREA INSTRUCȚIUNILOR ORIGINALE
TULKOTS NO ORIGINĀLĀS INSTRUKCIJAS
ORIGINALIŲ INSTRUKCIJŲ VERTIMAS
ORIGINAALJUHENDI TÕLGE
PRIJEVOD ORIGINALNIH UPUTA
PREVOD ORIGINALNIH NAVODIL
PREKLAD ORIGINÁLNYCH POKYNOV
ПЕРЕВОД ОТ ОРИГИНАЛНИТЕ ИНСТРУКЦИИ
PEREKŁAD ORYGINALNYCH INSTRUKCJI
ORIJ NAL TALIMATLARIN TERCÜMESI
ΜΕΤΑΦΡΑΣΗ ΤΩΝ ΠΡΩΤΟΤΥΠΩΝ ΟΔΗΓΙΩΝ



EN
FR
DE
ES
IT
NL
PT
DA
SV
FI
NO
RU
PL
CS
HU
RO
LV
LT
ET
HR
SL
SK
BG
UK
TR
EL





- Important!** It is essential that you read the instructions in this manual before assembling, maintaining and operating the product.
- Attention!** Il est essentiel que vous lisiez les instructions contenues dans ce manuel avant d'assembler, d'entretenir et d'utiliser le produit.
- Achtung!** Es ist wichtig, dass Sie vor Zusammenbau, Wartung und Benutzung des Produktes die Anweisungen in dieser Anleitung lesen.
- ¡Atención!** Resulta fundamental que lea este manual de instrucciones antes de realizar el montaje, el mantenimiento y de utilizar este producto
- Attenzione!** È importante leggere le istruzioni contenute nel presente manuale prima di montare il prodotto, svolgere le operazioni di manutenzione sullo stesso e metterlo in funzione.
- Let op!** Het is van essentieel belang dat u de instructies in deze gebruiksaanwijzing leest voor u het product monteert, onderhoudt en gebruikt.
- Atenção!** É fundamental que leia as instruções deste manual antes da montagem, manutenção e operação do aparelho.
- OBS!** Det er vigtigt, at man læser instrukserne i denne brugsanvisning, inden man samler, vedligeholder og betjener produktet.
- Observera!** Det är viktigt att du läser instruktionerna i manualen före montering, användning och underhåll av produkten.
- Huomio!** On tärkeää, että luet tämän käsikirjan ohjeet ennen tuotteen kokoamista, huoltoa ja käyttöä.
- Advarsel!** Det er vigtigt at du leser instruksjonene i denne manualen før sammensetning, vedlikehold og bruk av produktet
- Внимание!** Необходимо прочитать инструкции в данном руководстве перед сборкой, обслуживанием и эксплуатацией этого изделия.
- Uwaga!** Koniecznie należy przeczytać instrukcje zawarte w tym podręczniku przed montażem, obsługą oraz konserwacją produktu.
- Důležité upozornění!** Neinstalujte, neprovádějte údržbu ani nepoužívejte tento výrobek dřív, než si přečtete pokyny uvedené v tomto návodu.
- Figyelem!** Fontos, hogy a termék összeszerelése, karbantartása és használatá előtt elolvassa a kézikönyvben található utasításokat.
- Atenție!** Este esențial să citiți instrucțiunile din acest manual înainte de asamblare, efectuarea întreinerii și operarea produsului.
- Uzmanību!** Ir svarīgi izlasīt šīs rokasgrāmatas instrukcijas pirms uzstādīšanas, apkopes un preces darbināšanas.
- Dėmesio!** Prieš surenkant, prižiūrint ir naudojant gaminį, būtina perskaityti šiam vadove pateiktus nurodymus.
- Tähtis!** Enne masina kokkupanekut, hooldamist ja kasutama hakkamist tuleb käesolevas juhendis esitatud juhised kindlasti läbi lugeda.
- Upozorenie!** Vrlo je važno da ste prije sklapanja, održavanja i rada s ovim proizvodom pročitali upute u ovom priručniku.
- Pomembno!** Pomembno je da pred montažo vzdrževanjem in uporabo tega izdelka preberete navodila v tem priručniku.
- Upozornenie!** Je dôležité, aby ste si pred montážou, údržbou a obsluhou produktu prečítali pokyny v tomto návode.
- Важно!** Исключительно важно е да прочетете инструкциите в настоящото ръководство, преди да преминете към сглобяване, поддръжка или работа с продукта.
- Важливо!** Дуже важливо, щоб ви прочитали інструкції в цьому керівництві перед складанням, обслуговуванням та експлуатацією цієї машини.
- Dikkat!** Ürünün montajını, bakımını yapmadan ve ürünü çalıştırmadan önce bu kılavuzda yer alan talimatları okumanız önemlidir.
- Προσοχή!** Είναι πολύ σημαντικό να διαβάσετε τις οδηγίες στο παρόν εγχειρίδιο πριν συναρμολογήσετε, συντηρήσετε ή λειτουργήσετε το προϊόν.

Subject to technical modification | Sous réserve de modifications techniques | Technische Änderungen vorbehalten | Bajo reserva de modificaciones técnicas | Con riserva di eventuali modifiche tecniche | Technische wijzigingen voorbehouden | Com reserva de modificações técnicas | Med forbehold for tekniske ændringer | Med förbehåll för tekniska ändringar | Tekniset muutokset varataan | Med forbehold om tekniske endringer | могут быть внесены технические изменения | Z zastrzeżeniem modyfikacji technicznych | Změny technických údajů vyhrazeny | A műszaki módosítás jogát fenntartjuk | Sub rezerva modifiцаiilor tehnice | Paturam tiesības mainīt tehnisko raksturlielumus | Pasiilikant teise daryti techninius pakeitimus | Tehnilised muudatused võimalikud | Podloženo tehničkim promjenama | Tehnične spremembe dopuščene | Právo na technické zmeny je vyhradené | Подлежи на технически модификации | Є об'єктом для технічних змін | Teknik değişiklik hakkı saklıdır | Υπό την επιφύλαξη τεχνικών τροποποιήσεων





EN
FR
DE
ES
IT
NL
PT
DA
SV
FI
NO
RU
PL
CS
HU
RO
LV
LT
ET
HR
SL
SK
BG
UK
TR
EL

Safety, performance, and dependability have been given top priority in the design of your circular saw.

INTENDED USE

The circular saw is intended to be used only by adults who have read and understood the instructions and warnings in this manual, and can be considered responsible for their actions.

The product is designed for rip- and cross-cutting of wood or similar materials up to a maximum depth of 54 mm. The product can make straight or bevelled cuts between 0 and 45 degrees. The product is to be used with the base of the tool in contact with the workpiece. It should only be used in a dry, well lit and well ventilated area.

The product is designed for handheld use. The product is not to be mounted onto a workbench unless specific instructions about how to do this are given by the manufacturer of the saw. Do not use for cutting metal or masonry.

Do not use the product for any other purpose. Use of the product for operations different from intended could result in a hazardous situation.

⚠ WARNING

Read all safety warnings, instructions, illustrations and specifications provided with this power tool. Failure to follow all instructions listed below may result in electric shock, fire and/or serious injury.

Save all warnings and instructions for future reference.

CIRCULAR SAW SAFETY WARNINGS

CUTTING PROCEDURES

⚠ DANGER

Keep hands away from cutting area and the blade. Keep your second hand on auxiliary handle, or motor housing. If both hands are holding the saw, they cannot be cut by the blade.

- **Do not reach underneath the workpiece.** The guard cannot protect you from the blade below the workpiece.
- **Adjust the cutting depth to the thickness of the workpiece.** Less than a full tooth of the blade teeth should be visible below the workpiece.
- **Never hold the workpiece being cut in your hands or across your leg.** Secure the workpiece to a stable platform. It is important to support the work properly to minimise body exposure, blade binding, or loss of control.
- **Hold the power tool by insulated gripping surfaces only, when performing an operation where the cutting tool may contact hidden wiring or its own cord.** Contact with a "live" wire will also make exposed metal parts of the power tool "live" and could give the operator an electric shock.

- **When ripping, always use a rip fence or straight edge guide.** This improves the accuracy of cut and reduces the chance of blade binding.
- **Always use blades with correct size and shape (diamond versus round) of arbour holes.** Blades that do not match the mounting hardware of the saw will run eccentrically, causing loss of control.
- **Never use damaged or incorrect blade washers or bolt.** The blade washers and bolt were specially designed for your saw, for optimum performance and safety of operation.

KICKBACK CAUSES AND RELATED WARNINGS:

- kickback is a sudden reaction to a pinched, jammed or misaligned saw blade, causing an uncontrolled saw to lift up and out of the workpiece toward the operator;
- when the blade is pinched or jammed tightly by the kerf closing down, the blade stalls and the motor reaction drives the unit rapidly back toward the operator;
- if the blade becomes twisted or misaligned in the cut, the teeth at the back edge of the blade can dig into the top surface of the wood causing the blade to climb out of the kerf and jump back toward the operator.

Kickback is the result of saw misuse and/or incorrect operating procedures or conditions and can be avoided by taking proper precautions as given below.

- **Maintain a firm grip with both hands on the saw and position your arms to resist kickback forces. Position your body to either side of the blade, but not in line with the blade.** Kickback could cause the saw to jump backwards, but kickback forces can be controlled by the operator, if proper precautions are taken.
- **When blade is binding, or when interrupting a cut for any reason, release the trigger and hold the saw motionless in the material until the blade comes to a complete stop. Never attempt to remove the saw from the work or pull the saw backward while the blade is in motion or kickback may occur.** Investigate and take corrective actions to eliminate the cause of blade binding.
- **When restarting a saw in the workpiece, centre the saw blade in the kerf and check that saw teeth are not engaged into the material.** If a saw blade binds, it may walk up or kickback from the workpiece as the saw is restarted.
- **Support large panels to minimise the risk of blade pinching and kickback.** Large panels tend to sag under their own weight. Supports must be placed under the panel on both sides, near the line of cut and near the edge of the panel.
- **Do not use dull or damaged blades.** Unsharpened or improperly set blades produce narrow kerf causing excessive friction, blade binding and kickback.
- **Blade depth and bevel adjusting locking levers must be tight and secure before making cut.** If blade adjustment shifts while cutting, it may cause binding and kickback.
- **Use extra caution when sawing into existing walls or other blind areas.** The protruding blade may cut



objects that can cause kickback.

LOWER GUARD FUNCTION

- **Check lower guard for proper closing before each use. Do not operate the saw if lower guard does not move freely and close instantly. Never clamp or tie the lower guard into the open position.** If the saw is accidentally dropped, lower guard may be bent. Raise the lower guard with the retracting handle and make sure it moves freely and does not touch the blade or any other part, in all angles and depths of cut.
- **Check the operation of the lower guard spring. If the guard and the spring are not operating properly, they must be serviced before use.** Lower guard may operate sluggishly due to damaged parts, gummy deposits, or a build-up of debris.
- **Lower guard may be retracted manually only for special cuts such as “plunge cuts” and “compound cuts”.** Raise lower guard by retracting handle and as soon as blade enters the material, the lower guard must be released. For all other sawing, the lower guard should operate automatically.
- **Always observe that the lower guard is covering the blade before placing saw down on bench or floor.** An unprotected, coasting blade will cause the saw to walk backwards, cutting whatever is in its path. Be aware of the time it takes for the blade to stop after switch is released.

SAFETY INSTRUCTIONS FOR WOOD CUTTING BLADE

- Please read the manual and instructions carefully before using the saw blade and the power tool.
- The power tool must be in good condition, the spindle without deformation and vibration.
- Do not use the saw without the guards in position. Keep guards in good working order and properly maintained.
- Ensure the operator is adequately trained in safety precautions, adjustment, and operation of the power tool.
- Always wear goggles and ear protection when using the power tool. It is recommended to wear gloves, sturdy non-slip shoes.
- Before using any accessory, consult the instruction manual. The improper use of an accessory can cause damage and increase the potential for injury.
- Use only blades specified in this manual, complying with EN 847-1.
- Observe the maximum speed marked on the saw blade. Ensure the speed marked on the saw blade is at least equal to the speed marked on the saw.
- Always use blades with correct size and shape of bore holes. Blades that do not match the mounting hardware of the saw will run eccentrically, causing loss of control.
- Do not use blades of larger or smaller diameter than recommended. Do not use any spacers to make the blade fit onto the spindle.
- Check the tips of the saw blade for damage or abnormal appearance before each use. Tips that are damaged or loose can become flying objects in use and increase the chance of personal injury.

- Do not use cracked or distorted saw blades. Do not use saw blades that are damaged or deformed
- Scrap the saw blade if damaged, deformed, distorted, or cracked; repairing is not permitted.
- Do not use HSS blades.
- Ensure the saw blade is mounted correctly. Tighten the blade bolt securely before use (tightening torque approx. 10-15 Nm).
- Fastening screw and nuts shall be tightened using the appropriate spanner.
- Extension of the spanner or tightening using hammer blows is not permitted.
- Make sure the blade and flanges are clean and the recessed sides of the collar are against the blade.
- Make sure the blade rotates in the correct direction.
- Before use, make a dummy cut without the motor turned on so the position of the blade, operation of the guards with respect to other machine parts, and workpiece may be checked.
- Never leave the power tool unattended.
- Do not apply lubricants on the blade when it is running.
- Never perform any cleaning or maintenance work when the power tool is still running and the head is not in the rest position.
- Never attempt to stop a power tool in motion rapidly by jamming a tool or other means against the blade. Serious accidents can be caused unintentionally in this way.
- Disconnect the saw from the mains supply or battery before changing blades or carrying out maintenance.
- Pay attention to the blade packing and unpacking. It is easy to be injured by the sharp blade tips.
- Use a blade holder or wear gloves when handling a saw blade.
- Keep and store the blade in original packaging or other suitable packaging. Keep in dry conditions and away from chemicals which may damage the blade.

WARNING

- Wear eye and ear protection.
- Avoid overheating the blade tips. Do not use dull or damaged blades. Do not force the tool.
- Only use saw blades recommended.

ADDITIONAL SAFETY WARNINGS

- Do not use any abrasive wheels.
- Use only blade diameter(s) in accordance with the markings.
- Identify the correct saw blade to be used for the material to be cut.
- Use only saw blades that are marked with a speed equal or higher than the speed marked on the tool.
- Use only saw blades recommended by the manufacturer, which conform to EN 847-1, if intended for wood and analogous materials.
- Wear a dust mask.

- For RCS1400 only: A power spike causes voltage fluctuations and may affect other electrical products in the same power line. Connect the product to a power supply with an impedance equal to $Z_{max}=0.459 \Omega$ to minimize voltage fluctuations.

LASER SAFETY (RCS1600)



- The laser radiation used in this saw is Class 2 with maximum $\leq 1\text{mW}$ and 650nm wavelengths. Do not stare into the laser beam. Failure to comply with the rules could result in serious personal injury.



We have supplied you with an adhesive label in your language and now request that you please apply this over the top of the existing English language label that is located on the side of the tool prior to first commissioning the machine.

- Do not stare into beam during operation.
- Do not project the laser beam directly into the eyes of others. Serious eye injury could result.
- Do not place the laser in a position that may cause anyone to stare into the laser beam intentionally or unintentionally.
- Do not use optical tools to view the laser beam.
- Do not operate the laser around children or allow children to operate the laser.
- Do not attempt to repair the laser device by yourself.
- Do not attempt to change any parts of the laser device by yourself.
- Any repairs must only be carried out by the laser manufacturer or authorized service agent.
- Do not replace the laser with a different type.

RESIDUAL RISKS

Even when the product is used as prescribed, it is still impossible to completely eliminate certain residual risk factors. The following hazards may arise and the operator should pay special attention to avoid the following:

- Injury caused by kickback
 - Read and understand the information in this manual.
- Injury caused by dust
 - Dust may enter the eyes or respiratory system. Wear eye protection at all times. Wear appropriate dust control mask with filters suitable for protecting against particles from the material being cut. Do not eat, drink, or smoke in the work area. Ensure adequate ventilation.
- Injury caused by electric shock

- The blade may contact hidden wiring, causing parts of the product to become live. Always hold the product by the designated handles and take care when blind-cutting into walls and floors where cables may be hidden

NOTE: When working on walls, ceilings, or floors, take care to avoid electric cables and gas or water pipes.

- Injury caused by contact with the blade
 - The blades are very sharp and will become hot during use. Wear gloves when changing blades. Keep hands away from the cutting area at all times. Never hold workpiece being cut in your hands or across your leg. Clamp the workpiece whenever possible.
- Injury caused by vibration
 - Limit exposure. See Risk Reduction.

RISK REDUCTION

It has been reported that vibrations from handheld tools may contribute to a condition called Raynaud's Syndrome in certain individuals. Symptoms may include tingling, numbness and blanching of the fingers, usually apparent upon exposure to cold. Hereditary factors, exposure to cold and dampness, diet, smoking and work practices are all thought to contribute to the development of these symptoms. There are measures that can be taken by the operator to possibly reduce the effects of vibration:

- Keep your body warm in cold weather. When operating the unit wear gloves to keep the hands and wrists warm. It is reported that cold weather is a major factor contributing to Raynaud's Syndrome.
- After each period of operation, exercise to increase blood circulation.
- Take frequent work breaks. Limit the amount of exposure per day.

If you experience any of the symptoms of this condition, immediately discontinue use and see your doctor about these symptoms.

⚠ WARNING

Injuries may be caused or aggravated by prolonged use of a tool. When using any tool for prolonged periods, ensure you take regular breaks.

KNOW YOUR PRODUCT

See page 135.

1. Trigger
2. Lock-off button
3. Upper guard
4. Dust port adapter
5. Lower guard lever
6. Blade bolt
7. Lower guard
8. Handle, insulated gripping surface
9. Angle scale
10. Angle scale lock knob
11. Rip guide lock
12. Base

- 13. Laser head (RCS1600)
- 14. Blade
- 15. Wrench
- 16. Rip guide

MAINTENANCE

⚠ WARNING

The product should never be connected to a power supply when assembling parts, making adjustments, cleaning, performing maintenance, or when the product is not in use. Disconnecting the product from the power supply will prevent accidental starting that could cause serious injury.

⚠ WARNING

When servicing, use only original manufacturer's replacement parts, accessories and attachments. Use of any other parts may create a hazard or cause product damage.

⚠ WARNING

Do not at any time let brake fluids, gasoline, petroleum-based products, penetrating oils, etc., come in contact with plastic parts. Chemicals can damage, weaken or destroy plastic which may result in serious personal injury.

- Avoid using solvents when cleaning plastic parts. Most plastics are susceptible to various types of commercial solvents and may be damaged by their use. Use clean cloths to remove dirt, carbon dust, etc.
- Be sure to disconnect the product from the power supply before attaching or removing the saw blade. Clean the product and guarding system with clean cloths.
- Always wear safety goggles or safety glasses with side shields during power tool operation or when blowing dust. If operation is dusty, also wear a dust mask.
- If the supply cord is damaged, it must be replaced by a special cord or assembly available from the manufacturer or its service agent.
- For greater safety and reliability, all repairs should be performed by an authorised service centre.

LUBRICATION

All of the bearings in the product are lubricated with a sufficient amount of high grade lubricant for the life span of the product under normal operating conditions. Therefore, no further lubrication is required.

ENVIRONMENTAL PROTECTION



Recycle raw materials instead of disposing of as waste. The machine, accessories and packaging should be sorted for environment-friendly recycling.

SYMBOLS ON THE PRODUCT



Safety alert



Volts



Hertz



Alternating current



Watts



No-load speed



Revolutions or reciprocations per minute



Class II tool, double insulation



Wood



Do not cut metals



Wear ear protection



Wear eye protection



Laser radiation.
Do not stare into beam.
Class 2 laser product
λ: 650nm; P≤1mW
EN 60825-1:2014



Danger! Sharp blade



Do not expose to rain



Width of cut



Blade teeth



CE conformity



EurAsian Conformity Mark



Ukrainian mark of conformity

001









Please read the instructions carefully before starting the machine.



Waste electrical products should not be disposed of with household waste. Please recycle where facilities exist. Check with your local authority or retailer for recycling advice.

SYMBOLS IN THIS MANUAL

-  Connect to the power supply.
-  Disconnect from the power supply.
-  Parts or accessories sold separately
-  Lock
-  Unlock
-  Note

The following signal words and meanings are intended to explain the levels of risk associated with this product:

⚠ DANGER

Indicates an imminently hazardous situation, which, if not avoided, will result in death or serious injury.

⚠ WARNING

Indicates a potentially hazardous situation, which, if not avoided, could result in death or serious injury.

⚠ CAUTION

Indicates a potentially hazardous situation, which, if not avoided, may result in minor or moderate injury.

CAUTION

(Without Safety Alert Symbol) Indicates a situation that may result in property damage.



Votre scie circulaire a été conçue en donnant priorité à la sécurité, à la performance et à la fiabilité.

UTILISATION PRÉVUE

La scie circulaire doit être utilisée seulement par des adultes ayant lu et compris les instructions et les avertissements inclus dans le présent manuel et pouvant être considérés comme responsables de leurs actes.

Le produit est conçu pour la découpe transversale et de refente du bois jusqu'à une profondeur maximale de 54 mm. Le produit peut effectuer des découpes droites ou en biais, de 0 à 45 degrés. La base de l'appareil doit rester en contact avec la pièce à travailler. La scie ne doit être utilisée que dans un endroit sec, bien éclairé et bien ventilé.

Ce produit est conçu pour une utilisation à la main. Ce produit ne doit pas être monté sur un établi, à moins de disposer d'instructions spéciales à cet effet fournies par le fabricant de la scie. Ne l'utilisez pas pour couper du métal ou des matériaux de maçonnerie.

Ne vous servez pas de ce produit pour d'autres utilisations que celles décrites au chapitre des utilisations prévues. L'utilisation détournée d'un outil électrique entraîne des situations dangereuses.

⚠ AVERTISSEMENT

Lisez attentivement l'ensemble des avertissements, instructions et spécifications fournis avec cet outil, et reportez-vous aux illustrations. Le non-respect des instructions présentées ci-après peut entraîner des accidents tels que des incendies, des décharges électriques et/ou des blessures corporelles graves.

Conservez tous les avertissements et toutes les instructions pour pouvoir vous y reporter ultérieurement.

AVERTISSEMENTS DE SÉCURITÉ CONCERNANT LA SCIE CIRCULAIRE

PROCÉDURES DE COUPE

⚠ DANGER

Éloignez vos mains de la lame et de la zone de coupe. La main qui ne tient pas la poignée principale de l'outil doit tenir la poignée auxiliaire ou bien être posée sur le carter moteur. Ainsi, vos mains ne risqueront pas de se trouver dans la zone de coupe, sur la trajectoire de la lame.

- **Ne tentez pas d'atteindre le dessous de l'élément à couper.** Le protège-lame ne peut pas vous protéger de la lame sous la pièce à couper.
- **Réglez la profondeur de coupe en fonction de l'épaisseur de la pièce à usiner.** Les dents de la lame ne doivent pas dépasser entièrement sous la pièce à usiner lors de la coupe.
- **Ne tenez jamais la pièce à usiner avec votre main ou entre vos jambes.** Fixez-la sur un support stable.

Il est primordial de fixer correctement la pièce à usiner pour éviter tout risque de blessures et de ne pas plier la lame afin de ne pas perdre le contrôle de l'outil.

- **Lorsqu'il existe un risque que l'outil de coupe puisse entrer en contact avec des câbles électriques dissimulés ou son propre cordon d'alimentation, tenez l'outil électrique uniquement au niveau de ses surfaces de préhension isolées.** L'entrée en contact avec un fil électrique « sous tension » pourrait véhiculer cette tension électrique vers les parties métalliques de l'outil et exposer l'opérateur à une décharge électrique.
- **Utilisez toujours un guide de coupe parallèle ou un tasseau droit lorsque vous effectuez une coupe parallèle.** La précision de coupe sera améliorée et vous éviterez les risques de plier la lame.
- **Utilisez toujours des lames dont la taille et la forme sont adaptées à l'alésage de l'arbre.** Des lames non adaptées à l'arbre sur lequel elles doivent être montées ne tourneront pas correctement et peuvent vous faire perdre de contrôle de l'outil.
- **N'utilisez jamais de rondelles ni de boulons de lame défectueux ou inadaptés.** Les rondelles et les boulons de lame ont été conçus spécialement pour votre modèle de scie, pour une sécurité et une performance optimales.

AVERTISSEMENTS RELATIFS AU REBOND ET AUTRES RISQUES ASSOCIÉS :

- Le rebond est une réaction soudaine au pincement, au blocage ou au mauvais alignement de la lame de la scie. La scie, qui n'est alors plus contrôlée, se dégage de la pièce à usiner et « saute » vers l'opérateur.
- Lorsque la lame est pincée ou bloquée par la fermeture de l'entaille, la lame se bloque et la réaction du moteur pousse rapidement l'appareil vers l'opérateur.
- Si la lame se tord ou est mal alignée, les dents situées à l'arrière de la lame risquent de s'enfoncer dans la surface du bois, ce qui fera sortir brusquement la lame de la pièce à usiner en direction de l'utilisateur.

Le rebond est donc le résultat d'une mauvaise utilisation de l'outil et/ou de procédures ou de conditions de coupe incorrectes. Il peut être évité en veillant à respecter quelques précautions.

- **Maintenez fermement la scie avec vos deux mains et positionnez vos bras de façon à ce qu'ils puissent contrôler un éventuel rebond. Positionnez-vous d'un côté de la scie lorsque vous travaillez mais ne vous placez jamais dans l'alignement de la lame.** Le rebond projette soudainement la scie vers l'arrière, mais ce mouvement peut être contrôlé si l'utilisateur s'y attend et s'y prépare.
- **Si la lame se coince, ou si vous devez interrompre la coupe pour une raison quelconque, relâchez la gâchette et maintenez la scie dans la pièce à usiner jusqu'à ce que la lame s'arrête complètement de tourner. Ne tentez jamais d'enlever la scie de l'élément à couper ou de la faire reculer tant que le disque continue de tourner, sous peine de provoquer un rebond.** Si la lame se coince, cherchez-en la cause et prenez les mesures nécessaires pour que cela ne se reproduise plus.





EN
FR
DE
ES
IT
NL
PT
DA
SV
FI
NO
RU
PL
CS
HU
RO
LV
LT
ET
HR
SL
SK
BG
UK
TR
EL

- **Avant de faire redémarrer la scie pour reprendre une coupe, alignez correctement la lame avec le trait de scie et vérifiez que les dents ne touchent pas la pièce à usiner.** Si la lame de la scie est bloquée, celle-ci peut rebondir ou reculer de la pièce à usiner lorsque la scie est remise en marche.
- **Veillez à soutenir les longues pièces à usiner afin d'éviter que la lame se coince et limiter ainsi les risques de rebonds.** Les longues pièces à usiner ont tendance à ployer sous leur propre poids. Vous pouvez placer des supports des deux côtés de la pièce à usiner, près de la ligne de coupe et au niveau de l'extrémité de la pièce.
- **N'utilisez pas de lames émoussées ou endommagées.** Des lames non aiguisées ou mal montées produiront un trait de scie fin entraînant une friction excessive de la lame et donc de plus grands risques de torsion et de rebond.
- **Avant de commencer une coupe, vérifiez que les boutons de réglage de la profondeur et de l'inclinaison sont correctement bloqués.** Si les réglages de la position de la lame se modifient en cours de coupe, la lame risque de se coincer et un rebond peut se produire.
- **Soyez particulièrement attentif lorsque vous effectuez une coupe dans un mur existant ou ad'autres zones aveugles.** La lame pourrait heurter des éléments cachés, ce qui entraînerait un rebond.

FUNCTIONNEMENT DE LA PROTECTION INFÉRIEURE

- **Avant chaque utilisation, vérifiez que le protège-lame inférieur recouvre correctement la lame. N'utilisez pas votre scie si le protège-lame inférieur ne peut pas être actionné librement et s'il ne se rabat pas instantanément sur la lame. Ne fixez ou n'attachez jamais le protège-lame inférieur en position ouverte.** Si la scie tombait de façon accidentelle, le protège-lame inférieur pourrait se plier. Relevez le protège-lame inférieur à l'aide de la manette et assurez-vous qu'il peut être manipulé sans difficulté et qu'il ne touche ni la lame ni aucune autre pièce quels que soient l'angle et la profondeur de coupe choisis.
- **Assurez-vous que le ressort du protège-lame inférieur est en bon état et fonctionne correctement. Si le protège-lame et le ressort ne fonctionnent pas correctement, faites-les réparer ou remplacer avant d'utiliser votre scie.** Le protège-lame inférieur peut fonctionner de façon lente si des éléments sont endommagés, en cas de dépôts gommeux, ou en cas d'accumulation de débris.
- **Le protège-lame inférieur ne doit être rétracté à la main que pour des coupes spéciales telles que les « coupes plongeantes » et les « coupes combinées ».** Levez le protège-lame inférieur à l'aide de la manette, puis relâchez-le dès que la lame pénètre dans la pièce à usiner. Pour tous les autres types de coupe, le protège-lame inférieur se met en place automatiquement.
- **Vérifiez toujours que le protège-lame inférieur recouvre bien la lame avant de poser votre scie sur un établi ou sur le sol.** Si la lame n'est pas

correctement recouverte, elle peut tourner par inertie et couper ce qui se trouve sur sa trajectoire. Soyez conscient du fait que la lame continue de tourner pendant un certain temps après l'arrêt du moteur.

INSTRUCTIONS DE SÉCURITÉ POUR LA LAME DE DÉCOUPE DU BOIS

- **Veillez lire attentivement le manuel et les instructions avant d'utiliser la lame de scie et l'outil électrique.**
- **L'outil électrique doit être en bon état, l'arbre sans déformation ni vibration.**
- **N'utilisez pas la scie si les protections ne sont pas en place.** Gardez les protections en bon état de fonctionnement et bien entretenues.
- **Assurez-vous que l'opérateur a reçu la formation adéquate en matière de mesures de sécurité, de réglage et d'utilisation de l'outil électrique.**
- **Portez toujours des lunettes de sécurité et des protections auditives lors de l'utilisation de l'outil électrique.** Il est recommandé de porter des gants et des chaussures robustes à semelles antidérapantes.
- **Avant toute utilisation d'un accessoire, consultez le manuel utilisateur.** La mauvaise utilisation d'un accessoire peut entraîner des dommages et augmenter le risque de blessure.
- **N'utilisez que les lames spécifiées dans ce manuel, répondant à la norme EN 847-1.**
- **Respectez la vitesse maximale de rotation indiquée sur la lame.** Assurez-vous que la vitesse marquée sur la lame de scie est au moins égale à la vitesse marquée sur la scie.
- **Utilisez toujours des lames dont la taille et la forme sont adaptées à l'alésage de l'arbre.** Des lames non adaptées à l'arbre sur lequel elles doivent être montées ne tourneront pas correctement et peuvent vous faire perdre de contrôle de l'outil.
- **N'utilisez pas de lames d'un diamètre supérieur ou inférieur à celui recommandé.** N'utilisez pas de rondelles ou d'entretoises pour adapter la lame à la broche.
- **Vérifiez que les dents de la lame de scie sont en bon état et d'apparence normale avant chaque utilisation.** Les dents endommagées ou instables peuvent, à l'utilisation, devenir des projectiles et augmenter le risque de blessures.
- **Ne pas utiliser de lames de scie fissurées ou déformées. Ne pas utiliser de lames de scie qui sont endommagées ou déformées.**
- **Mettez la lame de scie au rebut si elle est endommagée, déformée, tordue ou fendue ; aucune réparation n'est permise.**
- **N'utilisez pas de lames HSS.**
- **Assurez-vous que la lame de scie est montée de façon correcte avant utilisation.** Serrez fermement le boulon de la lame avant utilisation (couple de serrage env. 10-15 Nm).
- **Les vis de fixation et les écrous doivent être serrés à l'aide de la clé adaptée.**
- **Ni l'utilisation d'une rallonge de clé ni le serrage à l'aide**



de coups de marteau ne sont autorisés.

- Assurez-vous que toutes les lames et tous les flasques sont propres et que les parties épaulées des colliers sont orientés vers la lame.
- Assurez-vous que la lame tourne dans le bon sens.
- Avant de travailler, faites une coupe à blanc moteur arrêté afin de pouvoir vérifier la position de la lame, le fonctionnement des protections par rapport aux autres éléments de la machine ainsi que la pièce à couper.
- Ne laissez jamais la machine fonctionner sans surveillance.
- N'appliquez pas de lubrifiant sur la lame lorsqu'elle est en rotation.
- N'effectuez jamais aucune opération de nettoyage ou d'entretien lorsque la machine est toujours en mouvement et que la tête n'est pas en position de repos.
- Ne tentez jamais d'arrêter l'outil électrique en rotation rapide en bloquant la lame avec un outil ou tout autre objet. En faisant cela, des accidents graves peuvent survenir involontairement.
- Débranchez la scie du réseau électrique ou retirez la batterie avant de changer la lame ou de mener une opération de maintenance.
- Faites attention à la lame en la mettant et en la sortant de son emballage. Les dents tranchantes peuvent facilement provoquer des blessures.
- Utilisez une protection ou portez des gants lorsque vous manipulez une lame de scie.
- Conservez et stockez la lame dans son emballage original ou dans tout autre emballage adapté. Conserver dans un endroit sec et tenir à l'écart de produits chimiques qui pourraient endommager la lame.

⚠ AVERTISSEMENT

- Portez une protection oculaire et auditive.
- Évitez de faire surchauffer les dents de la lame. N'utilisez pas de lames émoussées ou endommagées. Ne faites pas forcer l'outil.
- N'utilisez que les lames de scie recommandées.

INSTRUCTIONS DE SÉCURITÉ ADDITIONNELLES

- N'utilisez jamais de disque abrasif.
- Utilisez uniquement des lames dont le diamètre correspond aux marquages.
- Identifiez la lame de scie adaptée au matériau à couper.
- Utilisez uniquement des lames de scie spécifiées pour une vitesse supérieure ou égale à celle indiquée sur l'outil.
- Utilisez uniquement les lames de scie recommandées par le fabricant, conformes à la norme EN 847-1, pour une utilisation avec du bois et des matériaux analogues.
- Portez un masque anti-poussière.
- Pour RCS1400 uniquement: Une surconsommation temporaire provoque des variations de tension susceptibles d'affecter les autres appareils électriques

branchés sur la même ligne d'alimentation. Branchez le produit sur une source d'alimentation électrique dont l'impédance est égale à $Z_{max}=0.459 \Omega$ afin de minimiser les variations de tension.

SÉCURITÉ RELATIVE AU LASER (RCS1600)



- Le rayonnement du guide laser utilisé par cette scie est de type Classe 2 avec une puissance maximale $\leq 1mW$ et une longueur d'onde de 650nm. Ne regardez pas directement le rayon laser. Le non-respect des règles pourrait entraîner de graves blessures.



- Un autocollant dans votre langue vous a été fourni, nous vous demandons de le coller par dessus le texte en anglais de l'étiquette d'avertissement (warning) avant la première mise en service de la machine.
- Ne regardez pas le rayon au cours de l'opération.
- Ne projetez pas le rayon laser directement vers les yeux d'autrui. De graves blessures oculaires pourraient en résulter.
- Ne placez pas le laser de telle façon que quiconque puisse diriger son regard vers le rayon laser, que ce soit intentionnellement ou pas.
- N'utilisez pas d'outils optiques pour voir le rayon laser.
- N'utilisez pas le laser en présence d'enfants et ne laissez pas les enfants l'utiliser.
- Ne tentez pas de réparer le laser par vous-même.
- Ne tentez de changer aucune pièce du laser par vous-même.
- Les réparations ne doivent être effectuées que par le fabricant du laser ou par un réparateur agréé.
- Ne remplacez pas le laser par un modèle d'un autre type.

RISQUES RÉSIDUELS

Même lorsque le produit est utilisé selon les prescriptions, il reste impossible d'éliminer totalement certains facteurs de risque résiduels. Les dangers suivants risquent de se présenter en cours d'utilisation et l'utilisateur doit prêter particulièrement garde aux points suivants :

- Blessures dues au rebond
 - Lisez les informations de ce manuel de manière à les comprendre.
- Blessures dues à la poussière
 - De la poussière est susceptible de pénétrer dans les yeux ou dans le système respiratoire. Portez en permanence une protection oculaire. Porter un masque anti-poussière adéquat et doté de filtres, capable d'assurer une protection contre les particules de matériau coupé. Ne mangez pas, ne buvez pas, et ne fumez pas dans l'espace de travail.



Assurez-vous que la ventilation est suffisante.

- Blessures provoquées par une décharge électrique
 - La lame est susceptible d'entrer en contact avec des câbles électriques cachés, et de mettre ainsi certaines parties du produit « sous tension ». Tenez toujours le produit par les poignées destinées à cet effet et prenez garde lors des coupes aveugles dans les murs et dans les sols susceptibles de contenir des câbles cachés.
- Blessures provoquées par l'entrée en contact avec la lame
 - Les lames sont très coupantes et deviennent très chaudes en cours de fonctionnement. Portez des gants lorsque vous changez de lame. Gardez en permanence vos mains éloignées de la zone de coupe. Ne tenez jamais la pièce à usiner avec votre main ou entre vos jambes. Fixez la pièce à travailler lorsque cela est possible.
- Blessures dues aux vibrations
 - Limitez le temps d'exposition. Voir « Réduction des risques ».

RÉDUCTION DES RISQUES

Il a été reporté que les vibrations engendrées par les outils tenus à main peuvent contribuer à l'apparition d'un état appelé le syndrome de Raynaud chez certaines personnes. Les symptômes peuvent comprendre des fourmillements, un engourdissement et un blanchiment des doigts, généralement par temps froid. Des facteurs héréditaires, l'exposition au froid et à l'humidité, le régime alimentaire, le tabagisme et les habitudes de travail peuvent contribuer au développement de ces symptômes. Certaines mesures peuvent être prises par l'utilisateur pour aider à réduire les effets des vibrations:

- Gardez votre corps au chaud par temps froid. Lorsque vous utilisez l'appareil, portez des gants afin de garder vos mains et vos poignets au chaud. Le temps froid est considéré comme un facteur contribuant très largement à l'apparition du syndrome de Raynaud.
- Après chaque session de travail, pratiquez des exercices qui favorisent la circulation sanguine.
- Faites des pauses fréquentes. Limitez la quantité d'exposition journalière.

Si vous ressentez l'un des symptômes associés à ce syndrome, arrêtez immédiatement le travail et consultez votre médecin pour lui en faire part.

AVERTISSEMENT

L'utilisation prolongée d'un outil est susceptible de provoquer ou d'aggraver des blessures. Assurez-vous de faire des pauses de façon régulière lorsque vous utilisez tout outil de façon prolongée.

APPRENEZ À CONNAÎTRE VOTRE PRODUIT

Voir page 135.

1. Gâchette
2. Bouton de déverrouillage de la gâchette
3. Protège-lame supérieur

4. Adaptateur de conduit d'aspiration des poussières
5. Levier du protège-lame inférieur
6. Boulon de la lame
7. Protège-lame inférieur
8. Poignée, surface de préhension isolée
9. Graduation angulaire
10. Dispositif de blocage de la graduation angulaire
11. Dispositif de blocage du guide de coupe longitudinal
12. Semelle
13. Tête laser (RCS1600)
14. Lame
15. Clé de service
16. Guide de coupe

ENTRETIEN

AVERTISSEMENT

Le produit ne doit jamais être branché à une source de courant lorsque vous y montez des pièces, lorsque vous effectuez des réglages, lorsque vous le nettoyez, lorsque vous l'entretenez, ou lorsque vous ne l'utilisez pas. Déconnecter le produit de l'alimentation électrique empêche les démarrages accidentels qui peuvent causer des blessures graves.

AVERTISSEMENT

N'effectuez l'entretien qu'à l'aide de pièces détachées et accessoires d'origine constructeur. L'utilisation de toute autre pièce est susceptible de présenter un danger ou d'endommager votre outil.

AVERTISSEMENT

Ne laissez jamais du liquide de frein, de l'essence, des produits pétroliers, des huiles pénétrantes, etc. entrer en contact avec les éléments en plastique. Les produits chimiques peuvent endommager, affaiblir ou détruire les plastiques, ce qui pourrait entraîner de graves blessures.

- Évitez d'utiliser des solvants pour nettoyer les parties en plastique. La plupart des plastiques sont susceptibles d'être endommagés par les solvants disponibles dans le commerce. Utilisez un chiffon propre pour essuyer les impuretés, la poussière, etc.
- Assurez-vous de débrancher l'outil du secteur avant de monter ou de démonter la lame de scie. Nettoyez l'appareil et le système de protection avec des chiffons propres.
- Portez toujours un masque oculaire ou des lunettes de protection à volets latéraux lorsque vous utilisez l'outil électrique ou lorsque vous soufflez de la poussière. Si l'opération génère des poussières, portez également un masque anti-poussières.
- Si le câble d'alimentation est endommagé, il ne doit être remplacé que par le fabricant ou par un service après-vente agréé, pour éviter tout danger. Contactez un service après-vente agréé.
- Pour plus de sécurité et de fiabilité, toutes les réparations doivent être effectuées par un centre de service agréé.

EN
FR
DE
ES
IT
NL
PT
DA
SV
FI
NO
RU
PL
CS
HU
RO
LV
LT
ET
HR
SL
SK
BG
UK
TR
EL



LUBRIFICATION

Tous les roulements de ce produit sont lubrifiés avec une quantité suffisante d'huile de haute qualité pour toute sa durée de vie sous des conditions d'utilisation normales. Par conséquent, aucune lubrification supplémentaire n'est nécessaire.

PROTECTION DE L'ENVIRONNEMENT



Recyclez les matières premières au lieu de les jeter avec les ordures ménagères. Pour protéger l'environnement, l'outil, les accessoires et les emballages doivent être triés.

SYMBOLES APPLIQUÉS SUR LE PRODUIT



Alerte de sécurité

V

Volts

Hz

Hertz

~

Courant alternatif

W

Watts

n_o

Vitesse à vide

min⁻¹

Nombre de tours ou de mouvements par minute



Sens de rotation de la lame



Classe II, isolation double



Bois



Portez une protection auditive



Portez une protection oculaire



Radiation laser.
Ne regardez pas directement le rayon laser.

Laser de classe 2
λ: 650nm; P≤1mW
EN 60825-1:2014



Danger! Lame Coupante.



Ne pas exposer à la pluie



Ne coupez pas de métal



Largeur de coupe



Conformité CE



Marque de conformité d'Eurasie



Marque de conformité ukrainienne



Veillez lire attentivement le mode d'emploi avant de démarrer la machine.



Les produits électriques hors d'usage ne doivent pas être jetés avec les ordures ménagères. Recyclez-les par l'intermédiaire des structures disponibles. Contactez les autorités locales ou votre distributeur pour vous renseigner sur les conditions de recyclage.

SYMBOLES PRÉSENTS DANS LE MANUEL



Raccorder au secteur.



Débrancher du secteur.



Pièces détachées et accessoires vendus séparément



Verrouillage



Déverrouillage



Note

Les symboles suivants, et les noms qui leur sont associés, permettent d'expliquer les différents niveaux de risques liés à l'utilisation de cet outil.

DANGER

Imminence d'un danger qui, si l'on n'y prend garde, peut entraîner des blessures graves voire mortelles.

AVERTISSEMENT

Situation potentiellement dangereuse qui, si l'on n'y prend garde, peut entraîner des blessures graves voire mortelles.

ATTENTION

Situation potentiellement dangereuse qui, si l'on n'y prend garde, peut entraîner des blessures moyennes ou légères.

ATTENTION

(Sans symbole de sécurité) Indique une situation pouvant provoquer des dommages matériels.



EN
FR
DE
ES
IT
NL
PT
DA
SV
FI
NO
RU
PL
CS
RO
HU
LV
LT
ET
HR
SL
SK
BG
UK
TR
EL

Sicherheit, Leistung und Zuverlässigkeit hatten oberste Priorität bei der Entwicklung Ihrer Kreissäge.

BESTIMMUNGSGEMÄSSE VERWENDUNG

Die Kreissäge ist nur für den Gebrauch von Erwachsenen vorgesehen, die die Bedienungsanleitung gelesen und verstanden haben und als verantwortlich für ihre Handlungen erachtet werden können.

Das Produkt ist für das Längs- und Querzerspanen von Holz oder ähnlichen Werkstoffen bis zu einer maximalen Tiefe von 54 mm konzipiert. Das Produkt kann gerade oder abgeschrägte Schnitte zwischen 0 und 45 Grad durchführen. Bei der Benutzung muss die Bodenplatte der Kreissäge auf dem Werkstück aufliegen. Die Säge muss in trockener Umgebung benutzt werden, mit ausgezeichneter Raumbelichtung und ausreichender Belüftung.

Die Kreissäge ist für handgeführte Benutzung vorgesehen. Die Säge darf nicht an einem Arbeitstisch montiert werden, es sei denn spezielle Anweisungen dafür werden von dem Hersteller des Produktes gegeben. Nicht zum Sägen von Metall oder Mauerwerk benutzen.

Benutzen Sie das Produkt nicht für andere Aufgaben, als die genannten bestimmungsgemäßen Verwendungen. Der Einsatz des Werkzeugs für Arbeiten, für die es nicht vorgesehen ist, kann zu gefährlichen Situationen führen.

⚠️ WARNUNG

Lesen Sie aufmerksam alle mit diesem Werkzeug gelieferten Warnungen, Anweisungen und Spezifikationen, beziehen Sie sich auf die Illustrationen. Die Nichtbeachtung der weiter unten aufgeführten Anweisungen kann Unfälle wie Brände, Elektroschocks und/oder schwere Körperverletzungen zur Folge haben.

Bewahren Sie diese Sicherheitshinweise und Anweisungen für einen späteren Gebrauch gut auf.

KREISSÄGE SICHERHEITSWARNUNGEN

SÄGEVERFAHREN

⚠️ GEFAHR

Kommen Sie mit Ihren Händen nicht in den Sägebereich und an das Sägeblatt. Halten Sie mit Ihrer zweiten Hand den Zusatzhandgriff oder das Motorgehäuse. Wenn beide Hände die Säge halten, können diese vom Sägeblatt nicht verletzt werden.

- **Greifen Sie nicht unter das Werkstück!** Die Schutzhaube kann Sie unter dem Werkstück nicht vor dem Sägeblatt schützen.
- **Passen Sie die Schnitttiefe an die Dicke des Werkstücks an.** Es sollte weniger als eine volle Zahnhöhe unter dem Werkstück sichtbar sein.
- **Halten Sie das zu sägende Werkstück niemals in der Hand oder über dem Bein fest.** Sichern Sie das Werkstück an einer stabilen Aufnahme. Es ist wichtig, das Werkstück gut zu befestigen, um die Gefahr von Körperkontakt, Klemmen des Sägeblatts oder Verlust

der Kontrolle zu minimieren.

- **Halten Sie das Elektrowerkzeug an den isolierten Griffflächen, wenn Sie Arbeiten ausführen, bei denen das Einsatzwerkzeug verborgene Stromleitungen treffen kann.** Der Kontakt mit einer spannungsführenden Leitung kann auch metallene Geräteteile unter Spannung setzen und zu einem elektrischen Schlag führen.
- **Verwenden Sie beim Längsschneiden immer einen Anschlag oder eine gerade Kantenführung.** Dies verbessert die Schnittgenauigkeit und verringert die Möglichkeit, dass das Sägeblatt klemmt.
- **Verwenden Sie immer Sägeblätter in der richtigen Größe und mit passender Aufnahmebohrung (z.B. Rautenförmig oder rund).** Sägeblätter, die nicht zu den Montageteilen der Säge passen, laufen unrund und führen zum Verlust der Kontrolle.
- **Verwenden Sie niemals beschädigte oder falsche Sägeblatt-Unterlegscheiben oder -Schrauben.** Die Sägeblatt-Unterlegscheiben und -Schrauben wurden speziell für Ihre Säge konstruiert, für optimale Leistung und Betriebssicherheit.

RÜCKSCHLAG - URSACHEN UND ENTSPRECHENDE SICHERHEITSHINWEISE

- Ein Rückschlag ist die plötzliche Reaktion infolge eines hakenden, klemmenden oder falsch ausgerichteten Sägeblattes, die dazu führt, dass eine unkontrollierte Säge abhebt und sich aus dem Werkstück heraus in Richtung des Bedienperson bewegt.
- Wenn sich das Sägeblatt in dem sich schließenden Sägespalt verhakt oder verklemmt, blockiert es, und die Motorkraft schlägt die Säge in Richtung der Bedienperson zurück
- Wird das Sägeblatt im Sägeschnitt verdreht oder falsch ausgerichtet, können sich die Zähne der hinteren Sägeblattkante in der Oberfläche des Werkstücks verhaken, wodurch sich das Sägeblatt aus dem Sägespalt hinaus bewegt und die Säge in Richtung der Bedienperson zurückspringt.

Der Rückschlag ist die Folge eines falschen oder fehlerhaften Gebrauchs der Säge. Er kann durch geeignete Vorsichtsmaßnahmen wie nachfolgend beschrieben, verhindert werden.

- **Halten Sie die Säge mit beiden Händen fest, und bringen Sie Ihre Arme in eine Stellung, in der Sie die Rückschlagkräfte abfangen können.** Halten Sie sich immer seitlich des Sägeblattes, nie das Sägeblatt in eine Linie mit Ihrem Körper bringen. Bei einem Rückschlag kann die Kreissäge rückwärts springen, jedoch kann die Bedienperson durch geeignete Vorsichtsmaßnahmen die Rückschlagkräfte beherrschen.
- **Falls das Sägeblatt verklemmt oder Sie die Arbeit unterbrechen, schalten Sie die Säge aus und halten Sie sie im Werkstück ruhig, bis das Sägeblatt zum Stillstand gekommen ist.** Versuchen Sie nie, die Säge aus dem Werkstück zu entfernen oder sie rückwärts zu ziehen, solange das Sägeblatt sich bewegt, sonst kann ein Rückschlag erfolgen. Ermitteln und beheben Sie die Ursache für das Verklemmen des Sägeblattes.
- **Wenn Sie eine Säge, die im Werkstück steckt, wieder starten wollen, zentrieren Sie das Sägeblatt in dem**





Sägespalt und überprüfen Sie, ob die Sägezähne nicht im Werkstück verhakt sind. Verhakt das Sägeblatt, kann es sich aus dem Werkstück heraus bewegen oder einen Rückschlag verursachen, wenn die Säge erneut gestartet wird.

- **Stützen Sie große Platten ab, um das Risiko eines Rückschlags durch ein klemmendes Sägeblatt zu vermindern.** Große Platten können sich unter ihrem Eigengewicht durchbiegen. Platten müssen auf beiden Seiten abgestützt werden, und zwar sowohl in der Nähe des Sägespalts als auch an der Kante.
- **Verwenden Sie keine stumpfen oder beschädigten Sägeblätter.** Sägeblätter mit stumpfen oder falsch ausgerichteten Zähnen verursachen durch einen zu engen Sägespalt eine erhöhte Reibung, Klemmen des Sägeblattes und Rückschlag.
- **Ziehen Sie vor dem Sägen die Schnitttiefen- und Schnittwinkleinstellungen fest.** Wenn sich während des Sägens die Einstellungen verändern, kann sich das Sägeblatt verklemmen und ein Rückschlag auftreten.
- **Seien Sie besonders vorsichtig, beim Sägen in bestehende Wände oder andere nicht einsehbare Bereiche.** Das eintauchende Sägeblatt kann beim Sägen in verborgene Objekte blockieren und einen Rückschlag verursachen.

FUNKTION DER UNTEREN SCHUTZABDECKUNG

- **Überprüfen Sie vor jeder Benutzung, ob die untere Schutzhaube einwandfrei schließt. Verwenden Sie die Säge nicht, wenn die untere Schutzhaube nicht frei beweglich ist und sich nicht sofort schließt. Klemmen oder binden Sie die untere Schutzhaube niemals in geöffneter Position fest.** Sollte die Säge unbeabsichtigt zu Boden fallen, kann die untere Schutzhaube verborgen werden. Öffnen Sie die Schutzhaube mit dem Rückziehrefel und stellen Sie sicher, dass sie sich frei bewegt und bei allen Schnittwinkeln und -tiefen weder Sägeblatt noch andere Teile berührt.
- **Überprüfen Sie die Funktion der Feder für die untere Schutzhaube. Lassen Sie die Säge vor dem Gebrauch warten, wenn untere Schutzhaube und Feder nicht einwandfrei arbeiten.** Beschädigte Teile, klebrige Ablagerungen oder Anhäufungen von Spänen lassen die untere Schutzhaube verzögert arbeiten.
- **Öffnen Sie die untere Schutzhaube von Hand nur bei besonderen Schnitten, wie „Tauch- und Winkelschnitten“.** Öffnen Sie die untere Schutzhaube mit dem Rückziehrefel und lassen Sie diesen los, sobald das Sägeblatt in das Werkstück eintaucht. Bei allen anderen Sägearbeiten soll die untere Schutzhaube automatisch arbeiten.
- **Legen Sie die Säge nicht auf der Werkbank oder dem Boden ab, ohne dass die untere Schutzhaube das Sägeblatt bedeckt.** Ein ungeschütztes, nachlaufendes Sägeblatt bewegt die Säge entgegen der Schnittrichtung und sägt, was ihm im Weg ist. Beachten Sie dabei die Nachlaufzeit des Sägeblatts

SICHERHEITSHINWEISE FÜR DAS HOLZ-SÄGEBLATT

- Lesen Sie vor dem Gebrauch der Maschine die Anweisungen in dieser Gebrauchsanweisung sorgfältig durch, bevor Sie das Sägeblatt und das Elektrowerkzeug verwenden.

- Das Elektrowerkzeug muss in gutem Zustand sein, die Spindel ohne Verformung und Vibrationen.
- Benutzen Sie die Säge nicht ohne montierte Schutzvorrichtungen. Halten Sie die Schutzvorrichtungen in gutem Zustand und ordentlich gewartet.
- Stellen Sie sicher, dass der Benutzer ausreichend in Sicherheitsvorkehrungen, Einstellung und Betrieb des Elektrowerkzeugs geschult ist.
- Tragen Sie immer einen Augenschutz mit Seitenklappen sowie Gehörschutz, wenn Sie das Elektrowerkzeug benutzen. Schutzhandschuhe, festes und rutschsicheres Schuhwerk werden empfohlen.
- Lesen Sie immer die Bedienungsanleitung, bevor Sie ein Zubehörteil benutzen. Die falsche Benutzung von Zubehör kann zu Schäden führen und die Gefahr von Verletzungen erhöhen.
- Verwenden Sie nur vom Hersteller empfohlene Sägeblätter, die der EN 847-1 entsprechen.
- Beachten Sie die auf dem Sägeblatt angegebene maximale Drehzahl. Stellen Sie sicher, dass die auf dem Sägeblatt angegebene Drehzahl mindestens der auf der Säge angegebene Drehzahl entspricht.
- Verwenden Sie immer Sägeblätter in der richtigen Größe und passend zur Form des Aufnahmeflansches. Sägeblätter, die nicht zu den Montageteilen der Säge passen, laufen unrund und führen zum Verlust der Kontrolle.
- Benutzen Sie keine Sägeblätter mit größeren oder kleineren Durchmesser als empfohlen. Benutzen Sie keine Ausgleichsscheiben oder -Ringe um das Sägeblatt an die Spindel anzupassen.
- Überprüfen Sie die Zähne des Sägeblattes vor jeder Benutzung auf Beschädigung oder ungewöhnliches Aussehen. Beschädigte oder lockere Zähne können beim Einsatz geschleudert werden und die Verletzungsgefahr erhöhen.
- Rissige Sägeblätter oder solche, die ihre Form verändert haben, dürfen nicht verwendet werden! Keine Sägeblätter benutzen die beschädigt oder verformt sind.
- Entsorgen Sie Sägeblätter, die beschädigt oder verformt sind umgehend. Reparatur ist nicht gestattet.
- Verwenden Sie keine HSS Sägeblätter.
- Stellen Sie vor dem Einsatz sicher, dass das Sägeblatt richtig montiert ist. Ziehen Sie die Spindelmutter fest vor dem Gebrauch. (Drehmoment: 10-15 Nm)
- Befestigungsschrauben und Muttern müssen mit dem geeigneten Schlüssel angezogen werden.
- Verlängerung des Schlüssels oder festziehen mit Hammerschlägen ist nicht gestattet.
- Stellen Sie sicher, dass Sägeblatt und Flansche sauber sind und die Aussparung des Flansches zum Sägeblatt zeigt.
- Stellen Sie sicher, dass das Sägeblatt sich in die richtige Richtung dreht.
- Machen Sie einen Testschnitt mit ausgeschaltetem Motor, bevor Sie mit der Arbeit beginnen, um die Position des Sägeblattes, Funktion der Schutzvorrichtungen und das Werkstück zu überprüfen.
- Lassen Sie das Elektrowerkzeug niemals unbeaufsichtigt zurück.



- Tragen Sie keine Schmiermittel auf das laufende Sägeblatt auf.
- Niemals Reinigungsarbeiten oder Wartungsarbeiten an dem noch laufenden Elektrowerkzeug durchführen, und wenn der Kopf nicht in Ruheposition ist.
- Versuchen Sie niemals das Elektrowerkzeug anzuhalten, indem Sie ein Werkzeug oder einen anderen Gegenstand gegen das Sägeblatt klemmen, schwere Unfälle können so versehentlich verursacht werden.
- Trennen Sie das Gerät vom Netz oder entfernen Sie das Akku-Pack bevor Sie die Blätter wechseln oder Wartungsarbeiten durchführen.
- Seien Sie beim Ver- und Entpacken des Sägeblattes vorsichtig; die Sägeblätter sind sehr scharf und können schwere Verletzungen verursachen.
- Benutzen Sie eine Sägeblatthalterung oder tragen Sie Handschuhe, wenn Sie das Sägeblatt handhaben.
- Bewahren und lagern Sie das Sägeblatt in der Originalverpackung oder einer anderen geeigneten Verpackung. Bewahren Sie es in trockener Umgebung und fern von Chemikalien, die das Sägeblatt beschädigen können, auf.

⚠️ WARNUNG

- Tragen Sie Augen- und Gehörschutz.
- Vermeiden Sie die Überhitzung der Sägeblattspitzen. Verwenden Sie keine stumpfen oder beschädigten Sägeblätter. Betätigen Sie das Werkzeug nicht mit Gewalt.
- Benutzen Sie nur empfohlene Sägeblätter.

ZUSÄTZLICHE SICHERHEITSWARNUNGEN

- Verwenden Sie niemals eine Schleifscheibe.
- Verwenden Sie nur Sägeblätter entsprechend der Aufschriften der Säge.
- Suchen Sie das richtige Sägeblatt entsprechend dem zu sägenden Werkstoff aus.
- Verwenden Sie nur Sägeblätter mit einer Drehzahl-Kennzeichnung, die größer oder gleich der auf dem Elektrowerkzeug angegebene Drehzahl-Kennzeichnung ist.
- Verwenden Sie nur vom Hersteller empfohlene Sägeblätter, die der EN 847-1 entsprechen, sofern sie für Holz und ähnliche Werkstoffe vorgesehen sind.
- Tragen Sie eine Staubschutzmaske.
- Nur für RCS1400: Eine Spannungsspitze kann Spannungsschwankungen verursachen und andere elektrische Produkte an der selben Stromleitung beeinflussen. Schließen Sie das Produkt an eine Stromversorgung mit einer Impedanz von $Z_{max}=0.459 \Omega$ an, um die Spannungsschwankungen zu minimieren.

LASER SICHERHEITSVORSCHRIFTEN (RCS1600)



- Die in der Säge verwendete Laserführung besteht

aus einem Klasse 2 Laser mit maximal $\leq 1mW$ und 650 nm Wellenlänge. Nicht in den Strahl blicken. Nichteinhaltung dieser Sicherheitshinweise können zu ernst Verletzungen führen.



- Überkleben Sie den englischen Text auf dem Warnhinweis vor der ersten Inbetriebnahme mit dem mitgelieferten Aufkleber in Ihrer Landessprache.
- Blicken Sie beim Betrieb nicht in den Laserstrahl.
- Richten Sie den Laserstrahl nicht direkt in die Augen von anderen Personen. Dies kann zu schweren Augenverletzungen führen.
- Bringen Sie den Laser nicht in eine Position, die dazu führen könnte, dass eine Person absichtlich, oder unbeabsichtigt in den Laserstrahl schaut.
- Benutzen Sie keine optischen Geräte, um den Laserstrahl zu betrachten.
- Benutzen Sie den Laser nicht in der Nähe von Kindern und erlauben Sie Kindern nicht, den Laser zu benutzen.
- Versuchen Sie nicht, den Laser selber zu reparieren.
- Versuchen Sie nicht, irgendein Teil des Lasergerätes selber zu wechseln.
- Jegliche Reparaturen dürfen nur von dem Hersteller des Lasers oder einem autorisierten Kundendienst durchgeführt werden.
- Ersetzen Sie den Laser nicht mit einem anderen Typ.

RESTRISIKEN

Sogar wenn das Produkt wie vorgeschrieben benutzt wird, ist es unmöglich ein gewisses Restrisiko vollständig auszuschließen. Die folgenden Gefahren können bei der Benutzung entstehen, und der Benutzer sollte besonders auf folgende Punkte achten:

- Durch Rückschlag verursachte Verletzungen.
 - Lesen und verstehen Sie die Informationen in dieser Anleitung.
- Durch Staub verursachte Verletzungen.
 - Staub kann in die Augen oder die Atemwege eindringen. Tragen Sie immer Augenschutz! Tragen Sie eine angemessene Staubschutzmaske mit den geeigneten Filtern zum Schutz vor Partikeln des zu schneidenden Materials. Essen, trinken oder rauchen Sie nicht in dem Arbeitsbereich. Sorgen Sie für ausreichende Belüftung des Arbeitsbereichs.
- Verletzungen aufgrund von Stromschlag.
 - Das Sägeblatt kann verborgene Stromleitungen berühren und Teile des Produktes unter Strom setzen. Halten Sie das Produkt immer an den vorgesehenen Griffen und seien Sie vorsichtig, wenn Sie in Wänden oder Böden sägen, wo Sie möglicherweise verborgene Stromleitungen nicht sehen können.

HINWEIS: Achten Sie beim Arbeiten in Wänden, Decken oder Böden darauf, dass Sie keine elektrischen Kabel oder Gas- oder Wasserleitungen treffen.

- Durch Kontakt mit dem Sägeblatt verursachte Verletzung
 - Die Sägeblätter sind sehr scharf und werden bei

Benutzung heiß. Tragen Sie Handschuhe beim Wechseln von Sägeblättern. Halten Sie Ihre Hände immer vom Sägebereich fern. Halten Sie das zu sägende Werkstück niemals in der Hand oder über dem Bein fest. Klemmen Sie das Werkstück wann immer möglich fest.

- Durch Vibrationen verursachte Verletzungen.
 - Begrenzen Sie die Belastung. Siehe "Risikoverringerung".

RISIKOVERRINGERUNG

Vibrationen von in der Hand gehaltenen Werkzeugen können bei einigen Personen zu einem Zustand, der Raynaud-Syndrom genannt wird, führen. Symptome sind u.a. Kribbeln, Taubheitsgefühl und episodische Weißfärbung der Finger und treten normalerweise bei Kälte auf. Man geht davon aus, dass ererbte Faktoren, Kälte und Feuchtigkeit, Essgewohnheiten, Rauchen und Arbeitsweise zur Entwicklung dieser Symptome beitragen. Der Anwender kann Maßnahmen ergreifen, um die Auswirkungen der Vibrationen möglicherweise zu verringern:

- Halten Sie den Körper bei Kälte warm. Tragen Sie beim Betrieb des Geräts Handschuhe, um Hände und Handgelenke warm zu halten. Berichten zu Folge ist kaltes Wetter ein wesentlicher Faktor, der zum Raynaud Syndrom beiträgt.
- Betätigen Sie sich nach jedem Einsatz körperlich, um den Blutkreislauf zu steigern.
- Machen Sie regelmäßige Pausen. Beschränken Sie die Beanspruchung pro Tag.

Sollten bei Ihnen eines der zuvor beschriebenen Symptome / Zustände auftreten, stellen Sie unverzüglich den Betrieb ein und suchen Sie bezüglich der Symptome einen Arzt auf.

⚠ WARNUNG

Verletzungen können durch lange Benutzung eines Werkzeugs entstehen oder verschlimmert werden. Machen Sie regelmäßig Pause, wenn Sie ein Werkzeug für lange Zeit benutzen.

MACHEN SIE SICH MIT IHREM PRODUKT VERTRAUT

Siehe Seite 135.

1. Ein-/Ausschalter
2. Einschaltperre
3. Obere Schutzhaube
4. Anschluss für Staubabsaugung
5. Hebel der unteren Schutzhaube
6. Bolzen des Sägeblatts
7. Untere Schutzhaube
8. Handgriff, isolierte Grifffläche
9. Winkelskalierung
10. Klemmung der Winkelskalierung
11. Klemmung des Parallelenschlags
12. Grundplatte
13. Laserführung (RCS1600)
14. Sägeblatt
15. Schraubenschlüssel
16. Parallelenschlag

WARTUNG UND PFLEGE

⚠ WARNUNG

Das Produkt darf niemals an das Stromnetz angeschlossen sein, wenn Sie Teile zusammenbauen, Einstellungen vornehmen, reinigen, Wartungsarbeiten durchführen, oder wenn das Produkt nicht benutzt wird. Das Trennen des Produkts von der Stromversorgung verhindert einen unbeabsichtigten Start, der zu schweren Verletzungen führen kann.

⚠ WARNUNG

Verwenden Sie zur Wartung ausschließlich original Ersatzteile, Zubehör und Aufsätze des Herstellers. Der Einsatz von anderen Teilen kann eine Gefahr verursachen oder das Produkt beschädigen.

⚠ WARNUNG

Lassen Sie niemals Bremsflüssigkeiten, Benzine, Produkte auf Erdölbasis, Rostlöser usw. mit den Plastikteilen in Kontakt geraten. Chemikalien können Plastik beschädigen, aufweichen oder zerstören, was zu schweren Verletzungen führen kann.

- Vermeiden Sie beim Reinigen der Plastikteile den Einsatz von Lösungsmitteln. Die meisten Kunststoffe können durch im Handel erhältliche Lösungsmittel beschädigt werden. Verwenden Sie einen sauberen Lappen für die Reinigung von Verschmutzungen, Karbonstaub usw.
- Stellen Sie sicher, dass das Werkzeug von der Stromversorgung getrennt ist, bevor Sie das Sägeblatt anbringen oder abnehmen. Reinigen Sie das Produkt und das Sicherungssystem mit sauberen Tüchern.
- Tragen Sie beim Arbeiten mit motorbetriebenen Werkzeugen oder beim Wegblasen von Staub immer eine Schutzbrille mit Seitenschutz. Tragen Sie außerdem bei staubigen Arbeitsbedingungen eine Atemschutzmaske.
- Falls das Stromkabel beschädigt sein sollte, darf es, um jegliche Risiken zu vermeiden, ausschließlich durch den Hersteller oder ein autorisiertes Kundendienstzentrum ausgetauscht werden. Wenden Sie sich an den autorisierten Kundendienst.
- Alle Reparaturen sollten zur besseren Sicherheit und Zuverlässigkeit von einem autorisierten Kundendienst durchgeführt werden.

ÖLEN

Alle Lagerelemente in dem Produkt sind mit genug qualitativ hochwertigem Schmiermittel für die gesamte Lebensdauer des Produktes unter normalen Betriebsbedingungen geölt. Es ist daher keine zusätzliche Schmierung erforderlich.

UMWELTSCHUTZ



Recyceln Sie die Rohstoffe, anstatt sie im Haushaltsabfall zu entsorgen. Zum Schutz der Umwelt müssen das Gerät, die Zubehörteile und die Verpackungen getrennt entsorgt werden.

SYMBOLE AUF DEM PRODUKT

-  Sicherheitswarnung
- V** Volt
- Hz** Hertz
-  Wechselstrom
- W** Watt
- n₀** Leerlaufdrehzahl
- min⁻¹** Anzahl Umdrehungen oder Bewegungen pro Minute
-  Elektrowerkzeug der Schutzklasse II
-  Holz
-  Sägen Sie kein Metall
-  Gehörschutz tragen
-  Augenschutz tragen
-  Laserstrahlung nicht in den Strahl blicken.
Klasse 2 Laserprodukt
λ: 650nm; P≤1mW
EN 60825-1:2014
-  Gefahr! Scharfes Sägeblatt
-  Nicht dem Regen aussetzen
-  Breite des Schnitts
-  Sägezähne
- CE** CE Konformität
- EAC** EurAsian Konformitätszeichen



Ukrainisches Prüfzeichen



Bitte lesen Sie die Anweisungen sorgfältig, bevor Sie das Gerät einschalten.



Elektrische Geräte sollten nicht mit dem übrigen Müll entsorgt werden. Bitte entsorgen Sie diese an den entsprechenden Entsorgungsstellen. Wenden Sie sich an die örtliche Behörde oder Ihren Händler, um Auskunft über die Entsorgung zu erhalten.

SYMBOLE IN DER BEDIENUNGSANLEITUNG

-  An das Stromnetz anschließen.
-  Von dem Stromnetz trennen.
-  Teile oder Zubehör getrennt erhältlich
-  Sperren
-  Öffnen
-  Hinweis

Mit den folgenden Symbolen wird die Bedeutung der verschiedenen Risikostufen, die mit dem Produkt einhergehen, dargestellt.

- ⚠ GEFAHR**
Bezeichnet eine unmittelbare Gefahrensituation, die, falls nicht vermieden, zum Tod oder schweren Verletzungen führen kann.
- ⚠ WARNUNG**
Bezeichnet eine mögliche Gefahrensituation, die, falls nicht vermieden, zum Tod oder schweren Verletzungen führen kann.
- ⚠ ACHTUNG**
Bezeichnet eine mögliche Gefahrensituation, die, falls nicht vermieden, zu kleineren und mittleren Verletzungen führen kann.
- ACHTUNG**
(Ohne Warnsymbol) Weist auf eine Situation hin, die zu Sachschaden führen kann.

En el diseño de esta sierra circular, se ha dado prioridad absoluta a la seguridad, el rendimiento y la fiabilidad.

USO PREVISTO

La sierra circular está destinado a su uso exclusivo por parte de personas adultas que hayan leído y comprendido las instrucciones y las advertencias de este manual, y las cuales se pueden considerar responsables de sus acciones.

El producto está diseñado para realizar cortes al hilo y cortes transversales en madera y materiales similares con una profundidad máxima de 54 mm. El producto puede realizar cortes rectos o en bisel con un ángulo de entre 0 y 45 grados. La base de la herramienta debe estar en contacto con la pieza durante su uso. Solo se debe utilizar en una zona seca, debidamente iluminada y bien ventilada.

El producto está diseñado para su uso manual. El producto no se debe montar en un banco de trabajo a menos que el fabricante de la sierra haya proporcionado instrucciones específicas acerca de cómo hacerlo. No lo utilice para cortar metal o material de mampostería.

Utilice el producto exclusivamente para el uso para el que fue diseñado. Utilizar la herramienta eléctrica para realizar trabajos diferentes a los que esta herramienta está destinada podría dar como resultado una situación peligrosa.

⚠ ADVERTENCIA

Lea atentamente todas las advertencias, instrucciones y especificaciones suministradas con la herramienta, y consulte las ilustraciones. El incumplimiento de las instrucciones que se indican a continuación puede ocasionar diversos accidentes como incendios, descargas eléctricas y/o graves heridas corporales.

Guarde todas estas advertencias e instrucciones para futuras referencias.

ADVERTENCIAS DE SEGURIDAD DE LA SIERRA CIRCULAR

PROCEDIMIENTOS DE CORTE

⚠ PELIGRO

Mantenga las manos alejadas del área de corte y de la cuchilla. La mano que no sujeta la empuñadura principal de la máquina debe sostener la empuñadura auxiliar o bien estar apoyada en el cárter del motor. De este modo, sus manos no estarán en la zona de corte, en la trayectoria de la hoja.

- **No intente alcanzar la parte de debajo de la pieza de trabajo.** El protector de hoja no le protege ya que no recubre la hoja por debajo de la pieza.
- **Ajuste la profundidad de corte en función del grosor de la pieza trabajada.** Los dientes de la hoja no deben sobresalir completamente por debajo de la

pieza trabajada durante el corte.

- **No sujete NUNCA la pieza trabajada con la mano o entre las piernas.** Fijela en un soporte estable. Es fundamental fijar correctamente la pieza trabajada para evitar el riesgo de heridas y no doblar la hoja o perder el control de la máquina.
- **La herramienta eléctrica se debe sujetar exclusivamente por las superficies de agarre aisladas cuando se lleve a cabo cualquier operación en la que la herramienta de corte pueda entrar en contacto con cables eléctricos ocultos o con su propio cable.** Si la máquina se pusiera en contacto con los cables eléctricos en tensión, la corriente pasaría por las partes metálicas y usted podría recibir una descarga eléctrica.
- **Utilice siempre una guía de corte paralela o un listón recto cuando efectúe un corte paralelo.** Obtendrá una mayor precisión de corte y evitará doblar la hoja.
- **Utilice hojas de tamaño y forma adecuados al diámetro interior del eje.** Unas hojas que no se adaptan al eje en el que se deben montar no girarán correctamente y provocarán una pérdida de control.
- **No utilice tornillos ni discos de sujeción de las hojas defectuosos o inadaptados.** Los tornillos y los discos de sujeción de las hojas han sido especialmente diseñados para este modelo de sierra, para obtener los mejores resultados y una óptima seguridad.

CAUSAS DE REBOTE Y PRECAUCIONES RELACIONADAS:

- El rebote (o retroceso) es una reacción brusca que se produce cuando se da un pellizco, atasco o alineación incorrecta de la cuchilla de la sierra, lo que hace que la sierra descontrolada lance o eleve la pieza de trabajo hacia el usuario;
- cuando la cuchilla queda comprimida o atascada debido a un cierre del corte, la cuchilla se para de forma brusca y la reacción del motor hace que la unidad retroceda de forma rápida hacia el usuario;
- Si la hoja se dobla o está mal alineada, los dientes situados en la parte trasera de la hoja pueden hundirse en la superficie de la madera, expulsando bruscamente la hoja de la pieza trabajada hacia el usuario.

Por lo tanto, el rebote es el resultado de una mala utilización de la máquina y/o de procedimientos o condiciones de corte incorrectas. Puede evitarse teniendo algunas precauciones.

- **Sujete firmemente la sierra con ambas manos y coloque sus brazos de tal modo que puedan controlar un posible rebote.** Al trabajar, póngase a un lado de la sierra, no se ponga nunca en la línea de la hoja. El rebote expulsa repentinamente la sierra hacia atrás, pero este movimiento puede controlarse si el usuario se lo espera y está preparado para ello.
- **Si la hoja se atasca o si debe interrumpir el corte por cualquier motivo, suelte el gatillo y mantenga la sierra en la pieza trabajada hasta que la hoja deje de girar completamente.** No intente retirar la sierra de la pieza de trabajo o tirar de la sierra hacia atrás mientras la hoja esté en movimiento o podría darse



un rebote. Si la hoja se atasca, averigüe cuál es la causa y tome las medidas necesarias para que no se repita.

- **Antes de volver a poner en marcha la sierra para reanudar un corte, alinee correctamente la hoja con el paso de la sierra y compruebe que los dientes no tocan la pieza trabajada.** Si una cuchilla se queda atascada, puede que se eleve o que rebote desde la pieza de trabajo al reanudar su funcionamiento.
- **Soporte los paneles grandes para minimizar el riesgo de pellizcos de la hoja y rebote.** Los paneles grandes tienden a hundirse bajo su propio peso. Se deben colocar soportes bajo el panel a ambos lados, cerca de la línea de corte y cerca del borde del panel.
- **No utilice hojas de sierra desafiladas o deterioradas.** Una hoja desafilada o mal montada producirá un corte de sierra fino, lo cual provocará una fricción excesiva de la hoja y, por tanto, mayores riesgos de torsión y rebote.
- **Antes de iniciar un corte, compruebe que los botones de ajuste de la profundidad y de la inclinación están correctamente bloqueados.** Si los ajustes de la posición de la hoja se modifican durante el corte, la hoja puede atasarse y provocar un rebote.
- **Tenga extremo cuidado al serrar en paredes existentes u otras zonas ciegas.** La hoja podría chocar contra elementos ocultos, lo que produciría un rebote.

FUNCIÓN DE PROTECCIÓN INFERIOR

- **Antes de cada utilización, compruebe que el protector inferior de la hoja recubre correctamente la hoja. No utilice la sierra si el protector inferior de la hoja no se puede accionar libremente y si no se cierra instantáneamente contra la hoja. No fije ni sujete el protector inferior de la hoja en posición abierta.** Si la sierra se cae accidentalmente, el protector de hoja inferior puede doblarse. Levante el protector de hoja inferior con la manecilla y compruebe que puede manipularlo fácilmente y que no toca la hoja ni ninguna otra pieza, independientemente del ángulo y de la profundidad de corte seleccionados.
- **Compruebe que el resorte del protector inferior de la hoja está en buen estado y funciona correctamente. Si el protector de hoja o el resorte no funcionan correctamente, hágalos reparar o reemplazar antes de volver a utilizar la sierra.** La protección inferior puede funcionar de forma lenta debido a la existencia de piezas dañadas, depósitos pegajosos o a la acumulación de residuos.
- **La protección inferior puede replegarse manualmente sólo para cortes especiales, como cortes de inmersión y cortes compuestos.** Levante el protector inferior de la hoja con la manecilla correspondiente. En cuanto la hoja penetra en la pieza, suelte el protector inferior de la hoja. Para todos los demás tipos de cortes, el protector inferior de la hoja se coloca automáticamente.
- **Cerciórese de que el protector inferior de la hoja cubra completamente la hoja antes de dejar la sierra en un banco de trabajo o en el suelo.** Si la

hoja no está correctamente cubierta, puede girar por inercia y cortar lo que se encuentra en su trayectoria. Tenga presente que la hoja sigue girando durante un tiempo después de parar el motor.

INSTRUCCIONES DE SEGURIDAD PARA EL DISCO DE SIERRA PARA MADERA

- Lea con atención el manual y las instrucciones antes de utilizar el disco de sierra y la herramienta eléctrica.
- La herramienta eléctrica debe encontrarse en buen estado, y el eje no debe mostrar deformaciones ni vibración.
- No utilice la sierra sin tener colocadas en su posición las protecciones. Conserve a guardas en bom estado de funcionamiento e manutención.
- Asegúrese de que el usuario haya recibido formación adecuada sobre las precauciones de seguridad, los ajustes y el funcionamiento de la herramienta eléctrica.
- Utilice siempre gafas de protección y protección auditiva cuando utilice la herramienta eléctrica. Se recomienda utilizar guantes y zapatos resistentes antideslizantes.
- Antes de utilizar cualquier accesorio, consulte el manual de instrucciones. El uso inadecuado de un accesorio puede causar daños y aumentar la posibilidad de lesiones.
- Use solamente hojas especificadas en este manual, según EN 847-1.
- Observe la velocidad máxima marcada en la lámina de la sierra. Asegure que a velocidad indicada no disco da serra é pelo menos igual à velocidade indicada na serra.
- Utilice hojas de tamaño y forma adecuados al diámetro interior del eje. Unas hojas que no se adaptan al eje en el que se deben montar no girarán correctamente y provocarán una pérdida de control.
- No utilice láminas de diámetro mayor o más pequeño que el recomendado. No utilice ningún espaciador para encajar la lámina en el eje.
- Compruebe rastros de daños o aspecto anormal en el disco de sierra antes de cada uso. Los rastros de daño u holgura pueden causar el lanzamiento de objetos durante su uso y aumentar las probabilidades de lesiones personales.
- No usar discos de corte rotos o defectuosos. No use hojas de sierra dañadas o deformadas.
- Deseche el disco de sierra si está dañado, deformado, torcido o agrietado; queda prohibida su reparación.
- No utilice láminas HSS.
- Verifique que la lámina de la sierra está correctamente montada antes utilizarla. Apriete la tuerca del disco antes de utilizarlo (par de apriete aprox. 10-15 Nm).
- Se debe utilizar una llave adecuada para apretar los tornillos y las tuercas de sujeción.
- Queda prohibido el uso de prolongaciones de llave o apretar con golpes de martillo.
- Compruebe que la lámina y las bridas están limpias y los lados encajados del aro están contra la lámina.
- Compruebe que la lámina gira en la dirección correcta.
- Antes de empezar a trabajar, haga un corte de prueba

EN
FR
DE
ES
IT
NL
PT
DA
SV
FI
NO
RU
PL
CS
HU
RO
LV
LT
ET
HR
SL
SK
BG
UK
TR
EL



con el motor apagado para comprobar la posición de la lámina, el funcionamiento de las protecciones con respecto a otras piezas de la máquina y la pieza de trabajo.

- Nunca deje desatendida una herramienta en funcionamiento.
- No aplique lubricantes en la hoja cuando esté en funcionamiento.
- Nunca realice ningún trabajo de limpieza o de mantenimiento cuando la máquina se encuentra aún en funcionamiento y si la cabeza no está en la posición de descanso.
- No intente nunca detener una herramienta eléctrica en movimiento rápido interfiriendo con una herramienta u otro objeto contra la hoja. Si se hace, se pueden provocar accidentes graves de forma no intencionada.
- Desconecte la sierra de la alimentación principal o la batería antes de cambiar las hojas o realizar operaciones de mantenimiento.
- Tenga cuidado con la hoja al embalar y desembalar. Pueden producirse lesiones fácilmente a causa de las puntas afiladas de la hoja.
- Use un soporte o guantes de protección al maniobrar una lámina de sierra.
- Mantenga y guarde la hoja en el embalaje original o en otro embalaje adecuado. Mantenga la cuchilla en un ambiente seco y alejada de productos químicos que puedan dañarla.

⚠ ADVERTENCIA

- Utilice protección para los ojos y los oídos.
- Evite el sobrecalentamiento de las puntas de las hojas. No utilice hojas de sierra desafiladas o deterioradas. No fuerce la herramienta.
- Utilice únicamente las hojas de sierra recomendadas.

AVISOS DE SEGURIDAD ADICIONALES

- No utilice discos abrasivos.
- Utilice únicamente los diámetros de cuchilla indicados en las marcas.
- Identifique la cuchilla de sierra que se debe utilizar en función del material que desee cortar.
- Utilice únicamente cuchillas de sierra marcadas con una velocidad igual o superior a la especificada en la herramienta.
- Utilice solamente las cuchillas de sierra recomendadas por el fabricante, conformes con lo establecido en la norma EN 847-1, en caso de que se pretenda cortar madera o materiales similares.
- Utilice una máscara antipolvo.
- Sólo para RCS1400: Un pico de tensión causa variaciones de voltaje y puede afectar a otros aparatos eléctricos de la misma línea eléctrica. Enchufe el dispositivo a la toma de electricidad con una impedancia de $Z_{max}=0.459 \Omega$ para minimizar las fluctuaciones de voltaje.

SEGURIDAD DEL LÁSER (RCS1600)



- La radiación de la guía láser utilizada en esta sierra es de clase 2 con longitudes de onda máximas de $\leq 1mW$ and 650nm. No mire directamente al láser. El incumplimiento de estas normas puede resultar en lesiones graves.



Le hemos suministrado una etiqueta adhesiva en su idioma y le pedimos que la coloque en el lugar del texto en inglés, en la etiqueta de advertencia, antes de poner en funcionamiento la máquina por primera vez.

- No mire fijamente el láser durante el funcionamiento.
- No proyecte el rayo láser directamente a los ojos de los demás. Podría provocar lesiones graves en los ojos.
- No coloque el láser en una posición que puede causar que alguien mire al rayo láser de manera intencionada o no.
- No utilice herramientas ópticas para ver el rayo láser.
- No trabaje con el láser cerca de los niños ni permita que los niños manejen el láser.
- No intente reparar el dispositivo láser usted mismo.
- No intente cambiar ninguna pieza del dispositivo láser usted mismo.
- Las reparaciones sólo deben ser realizadas por el fabricante del láser o un agente de servicio autorizado.
- No cambie el láser por otro de distinto tipo.

RIESGOS RESIDUALES

Incluso cuando se utiliza el producto según las instrucciones, sigue siendo imposible eliminar por completo ciertos factores de riesgo residuales. Pueden surgir los siguientes riesgos durante el uso y el operador debe prestar especial atención para evitar lo siguiente:

- Lesiones por retroceso
 - Lea y comprenda la información contenida en este manual.
- Lesiones causadas por el polvo
 - El polvo puede entrar en los ojos o en el sistema respiratorio. Use siempre protección para los ojos. Utilice una máscara de control de polvo apropiada, con filtros adecuados que ofrezcan protección contra las partículas procedentes del material cortado. No comer, beber o fumar en el área de trabajo. Asegurar una ventilación adecuada.
- Lesiones causadas por descargas eléctricas
 - La hoja puede ponerse en contacto con cables ocultos, haciendo que las partes del producto tengan vida. Sujete siempre el producto por las asas designadas y tenga cuidado con corte ciegos en las paredes y los pisos donde los cables que

puedan ocultarse.
NOTA: Cuando se trabaja en paredes, techos o pisos, tenga cuidado para evitar los cables eléctricos y tuberías de gas o agua.

- Lesión causada por el contacto con la hoja
 - Las láminas están muy afiladas y se calientan con el uso. Use guantes para cambiar las cuchillas. Mantenga siempre las manos apartadas de la zona de corte. No sujete NUNCA la pieza trabajada con la mano o entre las piernas. Sujete la pieza de trabajo siempre que sea posible.
- Lesiones por vibración
 - Limite la exposición. Consulte el apartado "Reducción De Riesgos".

REDUCCIÓN DEL RIESGO

Se ha informado de que las vibraciones de las herramientas manuales pueden contribuir a una enfermedad llamada síndrome de Raynaud en ciertos individuos. Los síntomas pueden incluir hormigueo, entorpecimiento y decoloración de los dedos, generalmente aparentes cuando tiene lugar una exposición al frío. Se considera que los factores hereditarios, exposición al frío y a la humedad, dieta, tabaquismo y prácticas de trabajo contribuyen al desarrollo de estos síntomas. Existen medidas que pueden ser tomadas por el operador para reducir los efectos de vibración:

- Mantenga su cuerpo caliente durante el tiempo frío. Al manipular la unidad, utilice guantes para mantener las manos y las muñecas calientes. Hay informes que indican que el tiempo frío es un gran factor que contribuye al síndrome de Raynaud.
- Después de cada período de funcionamiento, realice ejercicios para aumentar la circulación sanguínea.
- Haga pausas de trabajo frecuentes. Limite la cantidad de exposición por día.

Si siente alguno de los síntomas de esta enfermedad, interrumpa inmediatamente el uso y consulte a su médico estos síntomas.

⚠ ADVERTENCIA

El uso prolongado de la herramienta puede provocar o agravar lesiones. Al utilizar cualquier herramienta durante períodos prolongados asegúrese de tomar descansos regulares.

CONOZCA EL PRODUCTO

Consulte la página 135.

1. Gatillo
2. Botón para liberar el gatillo
3. Protector superior de la hoja
4. Adaptador de puerto de polvo
5. Palanca del protector inferior de la hoja
6. Tuerca de la hoja
7. Protector de hoja inferior
8. Asa, superficie de agarre aislada
9. Escala angular
10. Bloqueo de la escala angular

11. Bloqueo de la guía en paralelo
12. Base
13. Cabezal láser (RCS1600)
14. Hoja
15. Llave de servicio
16. Guía de corte

MANTENIMIENTO

⚠ ADVERTENCIA

El aparato nunca debe estar conectado a una fuente eléctrica mientras se estén montando las piezas, realizando ajustes, limpiando, llevando a cabo el mantenimiento o cuando no esté en uso. Desconectar el producto de la fuente de suministro evitará que se encienda de manera accidental, lo que podría provocar lesiones graves.

⚠ ADVERTENCIA

En el mantenimiento, utilice sólo piezas de repuesto y accesorios originales del fabricante. El uso de otras piezas puede ocasionar riesgos o daños en el producto.

⚠ ADVERTENCIA

No permita en ningún momento que las piezas de plástico entren en contacto con líquido de frenos, gasolina, productos derivados del petróleo, aceites penetrantes, etc. Los productos químicos pueden dañar, destruir o debilitar el plástico, lo que puede ocasionar graves daños personales.

- Evite el uso de disolventes para limpiar las piezas de plástico. La mayor parte de los plásticos pueden resultar dañados con los disolventes que se venden en el mercado. Utilice un paño limpio para quitar las impurezas, el polvo, etc.
- Asegúrese de desconectar la herramienta de la fuente de alimentación antes de ajustar o retirar la hoja de sierra. Limpie el producto y el sistema de protección con trapos limpios.
- Siempre use gafas de seguridad o gafas de seguridad con protección lateral durante el funcionamiento de la herramienta eléctrica o cuando ésta desprenda polvo. Si la superficie de trabajo es polvorienta, use también una careta específica.
- Si el cable de alimentación está dañado, debería ser reemplazado únicamente por el fabricante o por un centro de servicio autorizado para evitar riesgos. Póngase en contacto con el centro de servicio autorizado.
- Para una mayor seguridad y fiabilidad, todas las reparaciones deben ser realizadas por un centro de servicio autorizado.

LUBRICACIÓN

Todos los cojinetes de este producto están lubricados con una cantidad suficiente de lubricante de alta calidad para la vida del producto en condiciones normales de

funcionamiento. Por lo tanto, no es menester prever ninguna lubricación adicional.

PROTECCIÓN DEL MEDIO AMBIENTE



Recicle las materias primas en lugar de tirarlas a la basura doméstica. Para proteger el medio ambiente, debe separar la herramienta, los accesorios y los embalajes.

SÍMBOLOS EN EL PRODUCTO



Alerta de seguridad

V

Voltios

Hz

Hertzios

~

Corriente alterna

W

Vatios

n₀

Velocidad sin carga

min⁻¹

Número de revoluciones o movimientos por minuto



Clase II, doble aislamiento



Madera



No corte metales



Gehörschutz tragen



Augenschutz tragen



Laserstrahlung nicht in den Strahl blicken.
Klasse 2 Laserprodukt
λ: 650nm; P≤1mW
EN 60825-1:2014



Gefahr! Scharfes Sägeblatt.



Nicht dem Regen aussetzen



Ancho del corte



Dientes de la hoja



Conformidad CE



Certificado EAC de conformidad



Marca de conformidad ucraniana



Por favor lea las instrucciones detenidamente antes de arrancar la máquina.



Los productos eléctricos de desperdicio no deben desecharse con desperdicios caseros. Por favor recíclelos donde existan dichas instalaciones. Compruebe con su autoridad local o minorista para reciclar.

SÍMBOLOS EN ESTE MANUAL



Conectarse a la red eléctrica.



Desconectar de la red eléctrica.



Las piezas o accesorios se venden por separado



Bloquear



Desbloquear



Nota

Los siguientes símbolos y palabras detallan los niveles de cuidado necesarios para usar este producto.

PELIGRO

Indica una situación inminente de peligro que, si no se evita, provocará la muerte o lesiones graves.

ADVERTENCIA

Indica una situación potencialmente peligrosa que, si no se evita, podría causar la muerte o lesiones graves.

PRECAUCIÓN

Indica una situación potencialmente peligrosa que, si no se evita, puede provocar lesiones leves o moderadas.

PRECAUCIÓN

(Sin símbolo de seguridad) Indica una situación que podría ocasionar daños materiales.



EN
FR
DE
ES
IT
NL
PT
DA
SV
FI
RU
NO
PL
CS
HU
RO
LV
LT
ET
HR
SL
SK
BG
UK
TR
EL

Il design della nostra sega circolare è stata progettata per garantire sicurezza, prestazioni e affidabilità.

UTILIZZO

La sega circolare è destinata ad essere utilizzata solo da adulti che hanno letto e compreso le istruzioni e le avvertenze contenute in questo manuale e possono essere considerati responsabili delle loro azioni.

L'elettrotensile è progettato per il taglio trasversale del legno o di altri materiali simili fino a una profondità di 54 mm. Il prodotto può eseguire tagli diritti o smussati tra 0 e 45 gradi. Può essere utilizzata con la base dell'utensile in contatto con il pezzo da lavorare. Utilizzare solo in luoghi asciutti, luminosi e ben aerati.

Il prodotto è progettato per un uso portatile. Il prodotto non deve essere montato su un banco di lavoro, a meno che il produttore della sega non abbia fornito specifiche istruzioni su come eseguire il montaggio. Non utilizzare per tagliare metallo o laterizi.

Non utilizzare il prodotto in modi diversi da quelli indicati. Utilizzare l'elettrotensile per operazioni diverse da quelle indicate potrà causare situazioni pericolose.

⚠ AVVERTENZE

Leggere attentamente tutte le avvertenze, le istruzioni e le specifiche fornite con l'apparecchio e fare riferimento alle illustrazioni. La mancata osservanza delle istruzioni riportate di seguito potrebbe provocare incidenti quali incendi, scosse elettriche e/o gravi lesioni fisiche.

Conservare tutte le istruzioni e le avvertenze per eventuali riferimenti futuri.

AVVERTENZE DI SICUREZZA DELLA SEGA CIRCOLARE

PROCEDURE DI TAGLIO

⚠ PERICOLO

Tenere le mani lontane dall'area di taglio e dalla lama. La mano che non tiene l'impugnatura principale dell'apparecchio deve tenere l'impugnatura ausiliaria oppure essere posata sul carter del motore. In questo modo, le mani non rischieranno di trovarsi nella zona di taglio, sulla traiettoria della lama.

- **Non protendersi sotto il pezzo sul quale si sta lavorando.** In questo punto, il paralama non è in grado di proteggerle, in quanto non ricopre la lama.
- **Regolare la profondità di taglio in funzione dello spessore del pezzo da lavorare.** Al momento del taglio, i denti della lama non devono sporgere interamente sotto il pezzo da lavorare.
- **Non tenere MAI il pezzo da lavorare con la mano o tra le gambe.** Fissarlo su un supporto stabile. Si raccomanda di fissare correttamente il pezzo da lavorare, in modo tale da evitare eventuali rischi di

lesioni e di non piegare la lama per non perdere il controllo dell'apparecchio.

- **Tenere l'elettrotensile solo tramite superfici antiscivolo isolate, durante l'esecuzione dell'operazione in cui l'accessorio di taglio può entrare in contatto con cavi nascosti o con il cavo stesso.** Il contatto con un cavo "vivo" renderà "vive" anche le parti esposte in metallo dell'elettrotensile e potrebbe causare scosse elettriche.
- **Nell'effettuare un taglio parallelo, utilizzare sempre una guida di taglio parallela o un listello diritto.** In questo modo, sarà possibile migliorare la precisione di taglio ed evitare di piegare la lama.
- **Utilizzare sempre lame di dimensioni e forma idonee all'alesaggio dell'albero.** Una lama non idonea all'albero sul quale deve essere montata non è in grado di girare correttamente e potrebbe causare una perdita del controllo dell'apparecchio.
- **Non utilizzare mai viti né flange di lama difettose o inadeguate.** Le flange e le viti della lama sono state studiate appositamente per questo modello di sega, a garanzia di un livello di sicurezza e prestazioni ottimale.

CAUSE DEL RIMBALZO E AVVERTENZE CORRELATE:

- Il rinculo è una reazione improvvisa a una sega schiacciata, bloccata o non correttamente allineata, che provoca un sollevamento o uno spostamento del pezzo di lavoro verso l'operatore;
- quando la lama viene schiacciata o bloccata in seguito all'intasamento del solco, la lama si blocca e la reazione del motore porta l'unità rapidamente indietro verso l'operatore;
- Se la lama si piega o è erroneamente allineata, i denti situati nella sua parte posteriore rischiano di penetrare nella superficie del legno, facendo uscire bruscamente la lama dal pezzo da lavorare, in direzione dell'operatore.

Il contraccolpo è pertanto il risultato di un utilizzo errato dell'apparecchio e/o di procedimenti o di condizioni di taglio inappropriati. Questa evenienza può essere evitata assicurandosi di adottare alcune misure precauzionali.

- **Tenere saldamente la sega con entrambe le mani e posizionare le braccia in modo tale che possano controllare un eventuale contraccolpo.** Durante l'esecuzione del lavoro, collocarsi su un lato della sega: non rimanere mai lungo l'asse della lama. Il contraccolpo fa sì che la sega venga scagliata improvvisamente all'indietro, ma questo movimento può essere tenuto sotto controllo se l'operatore lo prevede e si prepara all'evenienza.
- **Qualora la lama si incasti o si debba interrompere il taglio per un motivo qualsiasi, rilasciare il grilletto e mantenere la sega nel pezzo da lavorare, sino a quando la lama non cessa completamente di girare.** Non tentare di rimuovere la motosega dal pezzo sul quale si sta lavorando o di ritirarla mentre la lama è in funzione, in caso contrario si verificherà un rimbalzo. Se la lama si incastra, individuarne la causa e adottare le misure necessarie affinché ciò non si verifichi più.
- **Prima di riavviare la sega per riprendere**





un'operazione di taglio, allineare correttamente la lama rispetto al taglio ed assicurarsi che i denti non tocchino il pezzo da lavorare. Se la lama si incastra, potrebbe avvicinarsi o rinculare dal pezzo di lavoro una volta avviata.

- **Non dimenticare di sorreggere i pezzi lunghi, onde evitare che la lama si incastri e limitare pertanto i rischi di contraccolpo.** I pezzi lunghi tendono infatti a flettersi sotto il loro stesso peso. È possibile sistemare appositi supporti su entrambi i lati del pezzo, accanto alla linea di taglio e a livello dell'estremità del pezzo.
- **Non utilizzare lame smussate o danneggiate.** Una lama non affilata o montata erroneamente genera un taglio sottile, che dà luogo ad un attrito eccessivo della lama e pertanto a maggiori rischi di torsione e di contraccolpo.
- **Prima di iniziare un'operazione di taglio, assicurarsi che le manopole di regolazione della profondità e dell'inclinazione siano adeguatamente bloccate.** Se le regolazioni della posizione della lama si modificano durante il taglio, la lama rischia infatti di incastrarsi e può verificarsi un contraccolpo.
- **Fare ulteriore attenzione quando si svolgono operazioni di taglio in muri già esistenti o altre aree cieche.** La lama potrebbe urtare elementi nascosti, con conseguente pericolo di contraccolpo.

FUNZIONE PARALAME INFERIORE

- **Prima di ogni utilizzo, verificare che il paralama inferiore copra correttamente la lama. Non utilizzare la sega circolare se il paralama inferiore non può essere azionato liberamente e se non si piega istantaneamente sulla lama. Non fissare né bloccare mai il paralama inferiore in posizione aperta.** Se la sega cade accidentalmente, il paralama inferiore potrebbe piegarsi. Sollevare il paralama inferiore servendosi dell'apposita leva ed assicurarsi che possa essere maneggiato senza difficoltà e che non tocchi né la lama né altri componenti, indipendentemente dall'angolo e dalla profondità di taglio prescelti.
- **Assicurarsi che la molla del paralama inferiore sia in buono stato e funzioni correttamente. Se il paralama o la molla non funzionano correttamente, farli riparare o sostituire prima di utilizzare la sega.** La lama inferiore potrebbe funzionare lentamente a causa di parti danneggiate, depositi gommosi o materiale di scarto in esubero.
- **La lama inferiore potrà essere ritratta manualmente solo per tagli speciali come "tagli a tuffo" e "tagli composti".** Sollevare il paralama inferiore mediante l'apposita leva. Non appena la lama entra nel pezzo da lavorare, rilasciare il paralama inferiore. Per tutti gli altri tipi di taglio il paralama inferiore si posiziona automaticamente.
- **Prima di posare la sega su un banco da lavoro o sul pavimento, assicurarsi sempre che il paralama inferiore copra adeguatamente la lama.** Se la lama non è coperta correttamente, può ruotare per inerzia e tagliare ciò che si trova sulla propria traiettoria. Non dimenticare mai che la lama continua a girare ancora per qualche tempo dopo l'arresto del motore.

ISTRUZIONI DI SICUREZZA DELLA LAMA PER IL TAGLIO DEL LEGNO

- Leggere attentamente il manuale di istruzioni prima di usare la lama e l'utensile elettrico.
- L'utensile elettrico deve essere in buone condizioni; il mandrino non deve presentare deformazioni e vibrazioni.
- Non usare la sega se i dispositivi di protezione previsti di cui è fornito non sono collocati nel posto giusto. Mantenere gli schermi in ottime condizioni per garantire un corretto funzionamento.
- Accertarsi che l'operatore sia adeguatamente preparato per l'uso, la regolazione e il funzionamento dell'utensile elettrico.
- Indossare sempre occhiali e cuffie di protezione quando si utilizza l'utensile elettrico. Utilizzare guanti protettivi e robuste scarpe antiscivolo.
- Prima di utilizzare un qualsiasi accessorio, consultare il manuale d'istruzioni. L'uso improprio di un accessorio può causare danni e aumentare il rischio di lesioni.
- Utilizzare solo lame specificate con questo manuale, rispettando lo standard EN 847-1.
- Rispettare la velocità massima indicata sulla motosega. Assicurarsi che la velocità indicata sulla lama della motosega sia uguale a quella indicata sulla motosega.
- Utilizzare sempre lame di dimensioni e forma idonee all'alesaggio dell'albero. Una lama non idonea all'albero sul quale deve essere montata non è in grado di girare correttamente e potrebbe causare una perdita del controllo dell'apparecchio.
- Non utilizzare lame di un diametro più grande o più piccolo di quello raccomandato. Non utilizzare distanziatori per inserire la lama nell'albero.
- Prima di ogni uso, ispezionare attentamente le punte della lama per verificare che non siano danneggiate o presentino altre anomalie. Lame danneggiate o allentate possono volare via durante l'uso e aumentare il rischio di lesioni personali.
- Non devono essere utilizzate né lame incrinata né lame la cui forma abbia subito alterazioni. Non usare lame danneggiate o deformate.
- Sostituire la lama se danneggiata, deformata, distorta o rotta. Non è consentito eseguire alcuna riparazione.
- Non utilizzare lame HSS.
- Assicurarsi che la lama sia stata montata correttamente prima dell'utilizzo. Serrare saldamente il bullone della lama prima dell'uso (coppia di serraggio di 10-15 Nm circa).
- Viti e dadi di bloccaggio devono essere serrati usando utensili appropriati.
- Prolunghe per attrezzi o serraggio con colpi di martello non sono permessi.
- Assicurarsi che tutte le flange e le lame siano pulite e che le parti interne del colletto siano posizionate accanto alla lama.
- Assicurarsi che la lama ruoti nella direzione corretta.
- Prima di avviare le operazioni di lavoro, fare un taglio di prova senza accendere il motore in modo da poter controllare la posizione delle lame, il funzionamento





dei paralame rispetto alle altre parti delle macchine e i pezzi sui quali si dovrà lavorare.

- Non lasciare mai l'utensile incustodito.
- Non applicare lubrificanti sulla lama quando non è in funzione.
- Non svolgere mai operazioni di pulizia o manutenzione se la macchina è in funzione e la testa di taglio non è in posizione di riposo.
- Non tentare mai di interrompere rapidamente una macchina in movimento incastrandovi uno strumento o ponendo un altro oggetto contro la lama; tale azione potrebbe causare incidenti gravi.
- Prima di eseguire operazioni di manutenzione o di sostituire la lama, scollegare sempre la sega dalla fonte di alimentazione.
- Prestare la massima attenzione alla lama durante le operazioni di imballaggio e di disimballaggio. I denti di una lama affilata possono causare facilmente delle lesioni.
- Utilizzare un apposito dispositivo o indossare guanti quando si lavora con la motosega.
- Riporre la lama nella confezione originale o in contenitori sostitutivi idonei. Conservare in luogo asciutto e lontano da sostanze chimiche che possono danneggiare la lama.

⚠ AVVERTENZE

- Indossare occhiali e cuffie di protezione.
- Non surriscaldare le punte delle lame. Non utilizzare lame smussate o danneggiate. Non forzare l'utensile.
- Utilizzare solo le lame raccomandate.

ULTERIORI AVVERTENZE DI SICUREZZA

- Non utilizzare mai dischi abrasivi.
- Utilizzare diametri di lama in base alle marcature.
- Identificare la lama per sega corretta da utilizzare per il materiale da tagliare.
- Utilizzare solo le lame per sega che sono indicate con una velocità pari o superiore a quella sullo strumento.
- Utilizzare solo le lame per sega consigliate dal produttore, conformi alla EN 847-1, se pensate per il legno o materiali simili.
- Indossare una maschera per la polvere.
- Solo per RCS1400: Sovratensioni potrebbero influenzare altri prodotti elettrici collegati alla stessa presa. Collegare il prodotto a una presa dell'alimentazione con una impedenza pari a $Z_{max}=0,459 \Omega$ per minimizzare le fluttuazioni di voltaggio.

LASER DI SICUREZZA (RCS1600)



- Le radiazioni della guida al raggio laser utilizzate nella motosega sono di Classe 2 con lunghezze d'onda massima di $\leq 1mW$ e 650nm. Non fissare direttamente il raggio laser. La mancata osservanza delle regole potrà causare gravi lesioni alla persona.



L'utensile viene venduto con una etichetta adesiva nella propria lingua applicabile sull'etichetta con le avvertenze in inglese prima di iniziare a utilizzare l'utensile.

- Non fissare il raggio durante le operazioni.
- Non proiettare il raggio laser direttamente negli occhi degli altri. Si potranno riportare gravi lesioni personali.
- Non mettere il laser in una posizione che potrà costringere a fissare intenzionalmente o non intenzionalmente il raggio laser.
- Non utilizzare utensili ottici per visualizzare il raggio laser.
- Non mettere in funzione il laser accanto a bambini né permettere a bambini di mettere in funzione il laser.
- Non tentare di svolgere riparazioni al dispositivo laser da soli.
- Non tentare di modificare da soli alcuna parte del dispositivo.
- Tutte le riparazioni dovranno essere svolte dalla ditta produttrice del laser o da un agente autorizzato.
- Non sostituire il laser con un tipo di laser diverso.

RISCHI RESIDUI

Anche quando il prodotto viene utilizzato come indicato, sarà ancora impossibile eliminare completamente alcuni fattori di rischio residuo. Si potranno verificare i seguenti rischi e l'operatore dovrà prestare particolare attenzione per evitare quanto segue:

- Lesioni causate da rimbalzi
 - Leggere e comprendere le informazioni contenute nel presente manuale.
 - Lesioni causate dalla polvere
 - La polvere potrà entrare negli occhi o nel sistema respiratorio. Indossare sempre protezioni per gli occhi. Indossare la maschera antipolvere appropriata con i filtri adattati per proteggere contro le particelle prodotte dal materiale tagliato. Non mangiare, bere, né fumare nell'area di lavoro. Assicurare una ventilazione adatta.
 - Lesioni causate da scosse elettriche.
 - La lama potrà entrare in contatto con cavi nascosti, causando a parti del prodotto di entrare in tensione. Reggere sempre il prodotto dai manici indicati e avere cura quando si eseguono tagli ciechi in muri e pavimenti ove si possono nascondere cavi.
- NOTE:** Quando si lavora su pareti, soffitti o pavimenti, evitare cavi elettrici o tubi del gas o dell'acqua.
- Lesioni causate dal contatto con la lama
 - Le lame sono molto affilate e si surriscaldano

EN
FR
DE
ES
IT
NL
PT
DA
SV
FI
NO
RU
PL
CS
HU
RO
LV
LT
ET
HR
SK
SL
BG
UK
TR
EL



durante l'utilizzo. Indossare guanti quando si cambiano le lame. Tenere sempre le mani lontane dalle zone di taglio. Non tenere MAI il pezzo da lavorare con la mano o tra le gambe. Ancorare il pezzo sul quale si sta lavorando ogniqualvolta sia possibile.

- Lesioni causate da vibrazioni
 - Limitare l'esposizione. Vedere "Riduzione Rischio".

RIDUZIONE DEL RISCHIO

E' stato fatto presente che le vibrazioni da utensili a mano potrebbero contribuire a una condizione chiamata Sindrome di Raynaud in alcuni individui. I sintomi, comprendenti formicolio, intorpidimento e perdita di colore alle dita, si verificano di solito quando ci si espone al freddo. Fattori ereditari, esposizione a freddo e umidità, una dieta scorretta, fumo e condizioni di lavoro non sicure potranno contribuire allo sviluppo di questi sintomi. È possibile prendere delle precauzioni per ridurre le vibrazioni:

- Tenere il corpo al caldo a basse temperature. Quando si utilizza l'utensile, indossare guanti e tenere le mani e i polsi caldi. Le basse temperature contribuiscono a causare la Sindrome di Raynaud.
- Dopo aver utilizzato l'utensile per un certo periodo, fare degli esercizi per stimolare la circolazione del sangue.
- Fare spesso delle pause. Limitare la quantità di esposizione giornaliera.

Nel caso in cui si provino i sintomi di questa condizione, interrompere immediatamente l'utilizzo dell'utensile e consultare un dottore.

⚠ AVVERTENZE

L'utilizzo prolungato dell'utensile potrà causare o aggravare lesioni già esistenti. Quando si utilizza questo utensile per periodi di tempo prolungati, assicurarsi di fare sempre delle pause regolari.

FAMILIARIZZARE CON IL PRODOTTO

Vedere a pagina 135.

1. Grilletto
2. Pulsante di sblocco del grilletto
3. Paralama superiore
4. Adattatore porta per la polvere
5. Leva del paralama inferiore
6. Bullone della lama
7. Paralama inferiore
8. Impugnatura con superficie isolata antiscivolo
9. Scala dell'inclinazione
10. Blocco scala dell'inclinazione
11. Blocco guida taglio longitudinale
12. Base
13. Testina laser (RCS1600)
14. Lama
15. Chiave di servizio
16. Guida per la rifilatura

MANUTENZIONE

⚠ AVVERTENZE

Questo prodotto non dovrà mai essere collegato all'alimentazione mentre si montano le sue parti, svolgono regolazioni, operazioni di pulizia e manutenzione o quando il prodotto non viene utilizzato. Scollegando il prodotto dall'alimentazione se ne previene l'avviamento accidentale che potrebbe causare lesioni gravi.

⚠ AVVERTENZE

Durante le operazioni di manutenzione, utilizzare solo le parti di ricambio, gli accessori e le parti di collegamento della ditta produttrice originale. Utilizzare parti di ricambio diverse potrebbe causare rischi o danneggiare il prodotto.

⚠ AVVERTENZE

Non lasciare che i liquidi per freni, benzina, prodotti a base di petrolio, oli penetranti, ecc. entrino in contatto con le parti in plastica. Le sostanze chimiche potranno danneggiare, indebolire o distruggere la plastica, il che potrà risultare in gravi lesioni personali.

- Evitare di utilizzare solventi quando si puliscono le parti in plastica. La maggior parte dei materiali plastici rischia di essere danneggiata dall'uso dei solventi disponibili in commercio. Utilizzare un panno pulito per rimuovere lo sporco, la polvere, ecc.
- Assicurarsi di aver scollegato l'utensile dall'alimentazione prima di collegarlo o prima di rimuovere la lama. Pulire il prodotto e il sistema di protezione con panni puliti.
- Indossare sempre occhiali di sicurezza o occhiali di sicurezza con schermi laterali durante le operazioni con l'elettro utensile o quando si aspira della polvere. Nel caso in cui si preveda che le operazioni di lavoro causeranno polvere, indossare sempre una maschera anti-polvere.
- Se il cavo di alimentazione è danneggiato deve essere sostituito solo dalla ditta produttrice o dal centro servizi autorizzato per evitare eventuali rischi. Contattare il centro servizi autorizzato.
- Per maggiore sicurezza e affidabilità, tutte le riparazioni dovranno essere svolte da un centro servizi autorizzato.

LUBRIFICAZIONE














Tutti i cuscinetti in questo prodotto sono stati lubrificati con una quantità di lubrificante ad alto indice di viscosità per tutta la durata del prodotto nelle normali condizioni di funzionamento. Di conseguenza, non è necessario effettuare alcuna lubrificazione supplementare.

TUTELA DELL'AMBIENTE



Riciclare le materie prime anziché gettarle tra i rifiuti domestici. Per tutelare l'ambiente, l'apparecchio, gli accessori e gli imballaggi devono essere smaltiti separatamente.

SIMBOLI SUL PRODOTTO

-  Indicazioni sicurezza
- V** Volt
- Hz** Hertz
-  Corrente alternata
- W** Watt
- n_o** Velocità a vuoto
- min⁻¹** Numero di giri o di movimenti al minuto
-  Classe II con doppio isolamento
-  Legno
-  Non tagliare metalli
-  Indossare cuffie di protezione
-  Indossare occhiali di protezione
-  Radiazioni laser.
Non fissare il raggio.
Prodotto al laser di Classe 2
λ: 650nm; P≤1mW
EN 60825-1:2014
-  Pericolo! Lama affilata.
-  Non esporre a pioggia
-  Ampiezza di taglio
-  Denti lame
- CE** Conformità CE
- EAC** Marchio di conformità EurAsian
-  Marchio di conformità ucraino

001









Leggere attentamente le istruzioni prima di avviare l'utensile.



I prodotti elettrici non devono essere smaltiti con i rifiuti domestici. Vi sono strutture per smaltire tali prodotti. Informarsi presso il proprio Comune o rivenditore di sicurezza per smaltire adeguatamente tali rifiuti.

SIMBOLI NEL MANUALE

-  Collegare all'alimentazione.
-  Scollegare dall'alimentazione.
-  Parti o accessori venduti separatamente
-  Blocco
-  Sblocco
-  Note

I seguenti simboli indicano i livelli di rischio associati a questo prodotto.

⚠ PERICOLO

Indica una situazione immediatamente pericolosa che, se non evitata, potrà causare gravi lesioni o morte.

⚠ AVVERTENZE

Indica una situazione potenzialmente pericolosa che, se non evitata potrà causare gravi lesioni o morte.

⚠ ATTENZIONE

Indica una situazione potenzialmente pericolosa che, se non evitata, potrà causare lesioni minori o moderate.

ATTENZIONE

(Senza simbolo di allarme in materia di sicurezza) Indica una situazione che può provocare danni materiali.

Veiligheid, prestaties en betrouwbaarheid hebben bij het ontwerp van uw cirkelzaag altijd de hoogste prioriteit gekregen.

BOEOGD GEBRUIK

De cirkelzaag mag uitsluitend worden gebruikt door volwassenen die de instructies en waarschuwingen in deze handleiding hebben gelezen en die verantwoordelijk kunnen worden gehouden voor hun acties.

Het product is ontworpen voor het schulp- en afkortzagen van hout tot op een maximale diepte van 54 mm. Het product kan rechte of afgeronde sneden maken van tussen 0 en 45 graden. Het moet zo worden gebruikt dat de onderzijde van het gereedschap in contact is met het werkstuk. Het mag uitsluitend worden gebruikt in een droog, goed verlicht en goed geventileerd gebied.

Het product is ontworpen voor draagbaar gebruik. Het product mag niet worden gemonteerd op een werkbank, tenzij de fabrikant van de zaag specifieke instructies heeft gegeven over hoe dat moet worden gedaan. Niet gebruiken om metaal of metselwerk te zagen.

Gebruik het product niet voor andere doeleinden dan waarvoor het is bestemd. Het gebruik van het werktuig voor niet-voorgeschreven gebruik kan leiden tot gevaarlijke situaties.

⚠ WAARSCHUWING

Lees aandachtig alle waarschuwingen, aanwijzingen en specificaties die bij deze machine worden meegeleverd en bestudeer de afbeeldingen. Als u onderstaande voorschriften niet opvolgt, kan dit leiden tot ongelukken zoals brand, elektrische schokken en/of ernstig lichamenlijk letsel.

Bewaar alle waarschuwingen en instructies voor toekomstig gebruik.

VEILIGHEIDSWAARSCHUWINGEN VAN DE CIRKELZAAG

ZAAGPROCEDURES

⚠ GEVAAR

Houd handen weg van het zaagbereik en zaagblad. De hand waarmee u de hoofdgriep niet vasthoudt moet de hulpgriep vasthouden of op de motorombouw rusten. Op die manier loopt u niet het gevaar dat uw handen in het zaagblad grijpen.

- **Raak niet onder het werkstuk.** Hier bestaat groot gevaar omdat de beschermkap hier het zaagblad niet bedekt.
- **Stel de zaagdiepte af al naar gelang de dikte van het werkstuk.** De tanden van het zaagblad mogen tijdens het zagen niet helemaal onder het werkstuk uitkomen.
- **Houd het werkstuk NOOIT met uw hand of tussen uw benen vast.** Maak het werkstuk vast op een stabiele ondergrond. Het is van uiterst belang om het werkstuk

goed vast te maken om lichamenlijk letsel te voorkomen en om het zaagblad niet te verbuigen waardoor u de macht over de machine zou kunnen verliezen.

- **Houd het apparaat vast bij de geïsoleerde handvatten tijdens werkzaamheden waarbij het snijaccessoire of de bevestigingen in contact kunnen komen met verborgen bedrading of het snoer van het apparaat zelf.** Contact met een snoer dat onder spanning staat, zal ertoe leiden dat blootgestelde metalen onderdelen van de machine onder spanning komen te staan, waardoor de gebruiker een elektrische schok kan krijgen.
- **Gebruik altijd een parallelgeleider of een rechte lat bij het schulpen.** Zo werkt u veel nauwkeuriger en voorkomt u dat het zaagblad wordt verbogen.
- **Gebruik altijd zaagbladen waarvan de grootte en de vorm geschikt zijn voor de dikte van de as.** Zaagbladen die niet geschikt zijn voor de as waarop ze moeten worden gemonteerd zullen niet op de juiste manier ronddraaien en kunnen u de macht over de machine doen verliezen.
- **Gebruik nooit schroeven of flenzen afkomstig van defecte of verkeerde zaagbladen.** De flenzen en de zaagbladschroeven zijn speciaal bedoeld voor uw type zaagmachine en verschaffen optimale zekerheid en prestaties.

TERUGSLAGOORZAKEN EN VERWANTE WAARSCHUWINGEN:

- terugslag is een plotselinge reactie op een afgeklemd, vastgelopen of scheefzittend zaagblad, waarbij de bediener de controle over de zaag verliest en de zaag omhoog het werkstuk uit springt, in de richting van de bediener;
- als het blad vastgeklemd raakt doordat de snede nauwer wordt, wordt het blad stilgezet en zorgt de reactie van de motor ervoor dat het apparaat meteen terugspringt in de richting van de bediener;
- Als het zaagblad verbogen raakt of verkeerd is uitgelijnd, bestaat het gevaar dat de tanden die zich aan de andere kant van het zaagblad bevinden, zich in het houtoppervlak drukken, wat het zaagblad plotseling uit het werkstuk doet springen in de richting van de gebruiker.

Terugslag is dus het gevolg van foutief gebruik van de machine en/of van onjuiste procedures of omstandigheden. Terugslag kan worden vermeden door de volgende voorzorgsmaatregelen te nemen.

- **Pak de zaagmachine stevig met twee handen vast en houd uw armen zo dat ze een eventuele terugslag kunnen opvangen. Ga altijd aan één kant van het zaagblad staan als u met de zaagmachine werkt, nooit in het verlengde van het zaagblad.** Een terugslag werpt de zaagmachine plotseling naar achteren, maar deze beweging kan worden opgevangen als de gebruiker daarop bedacht is en zich daarop voorbereidt.
- **Wanneer de zaagmachine vastloopt of als u het zagen om de één of andere reden wilt onderbreken, laat u de drukschakelaar los en houd u de zaagmachine net zolang in het werkstuk tot het blad geheel tot stilstand is gekomen. Probeer de zaag nooit uit het werkstuk te verwijderen of de zaag**



terug te trekken wanneer het blad in beweging is, anders kan deze terugslaan. Als het zaagblad zich vastklemt, dient u de oorzaak daarvan op te zoeken en de nodige maatregelen nemen om te voorkomen dat het nog eens gebeurt.

- **Voordat u de zaagmachine opnieuw aanzet om door te gaan met zagen, dient u het zaagblad goed uit te lijnen met de zaagsnede en te zorgen dat de tanden niet in aanraking zijn met het werkstuk.** Als het zaagblad vastraakt, kan deze teruglopen of -springen van het werkstuk wanneer de zaag opnieuw gestart wordt.
- **Ondersteun lange werkstukken om te voorkomen dat het zaagblad vast komt te zitten en om op die manier het gevaar van terugslag te vermijden.** Lange werkstukken hebben de neiging onder hun eigen gewicht door te buigen. U kunt aan twee kanten van het werkstuk voor ondersteuning zorgen, dicht bij de zaaglijn en aan het uiteinde van het werkstuk.
- **Gebruik geen botte of beschadigde zaagbladen.** Botte of verkeerd gemonteerde zaagbladen veroorzaken een dunne snede die een buitengewone wrijving van het zaagblad met zich meebrengt en dus een groter gevaar oplevert voor verbuigen en terugslag.
- **Controleer of de instelknoppen voor zaagdiepte en afschuinhoek goed zijn geblokkeerd voordat u begint met zagen.** Als de afstellingen van het zaagblad tijdens het zagen veranderen, bestaat de kans dat het zaagblad zich vastklemt en dat er een terugslag optreedt.
- **Wees extra voorzichtig wanneer u in bestaande muren of andere blinde plaatsen boort.** Het zaagblad zou in aanraking kunnen komen met verborgen elementen met kans op een terugslag.

ONDERSTE BESCHERMFUNCTIE

- **Controleer steeds of de onderste beschermkap het zaagblad wel goed bedekt voordat u de machine gebruikt.** Gebruik de zaagmachine niet als de onderste beschermkap niet vrij kan worden bewogen en als het niet onmiddellijk over het zaagblad terugklapt. **Blokkeer of bevestig de onderste beschermkap nooit in de geopende stand.** Als de zaagmachine per ongeluk valt, zou de onderste beschermkap verbogen kunnen worden. Zet de onderste beschermkap met behulp van de knop omhoog en controleer of de kap zonder moeite kan worden bewogen en nooit met het zaagblad of enig ander onderdeel in aanraking komt, ongeacht de zaaghoek of de zaagdiepte.
- **Controleer of de veer van de onderste beschermkap in goede staat verkeert en naar behoren werkt. Als de beschermkap of de veer niet goed werkt, dient u deze te laten repareren of te vervangen voordat u de zaagmachine gaat gebruiken.** De neergelaten beschermkap kan traag werken vanwege beschadigde onderdelen, plakkerige afzettingen of een opstapeling van vuil.
- **De neergelaten beschermkap mag uitsluitend handmatig worden teruggetrokken voor speciale insneden, zoals “insteekzaagsneden” en “samengestelde zaagsneden”.** Zet de onderste beschermkap omhoog, daarna dient u de onderste kap meteen los te laten zodra het zaagblad in het werkstuk

dringt. Voor alle andere typen zaagsneden regelt de onderste beschermkap zich zelf automatisch.

- **Controleer of de onderste beschermkap wel goed over het zaagblad zit voordat u de zaagmachine op een werkbank of op de grond neerzet.** Als het zaagblad niet goed is afgedekt, kan het door inertie nog draaien en alles wat zich in zijn baan bevindt doorzagen. Wees erop bedacht dat het zaagblad nog enige tijd blijft doordraaien nadat u de motor heeft uitgezet.

VEILIGHEIDSLINSTRUCTIES VOOR HET HOUTZAAGBLAD

- Lees vóór gebruik van het zaagblad en het elektrische gereedschap zorgvuldig de handleiding en de instructies door.
- Het elektrische gereedschap moet in goede conditie zijn, waarbij de spindel zonder vervorming en trilling is.
- Gebruik de zaag niet zonder de beveiligingselementen in positie. Zorg dat de bescherming goed blijft werken en goed onderhouden blijft.
- Let erop dat de gebruiker voldoende is getraind in de veiligheidsmaatregelen, instelling en het gebruik van het elektrische gereedschap.
- Draag bij het gebruik van het elektrische gereedschap altijd oog- en gehoorbescherming. Het wordt aanbevolen om handschoenen te dragen en stevige, niet-slippende schoenen.
- Voor u een accessoire gebruikt, raadpleegt u de gebruiksaanwijzing. Het onjuiste gebruik van een accessoire kan leiden tot schade en verhoogt de kans op letsel.
- Gebruik uitsluitend zaagbladen die in deze gebruiksaanwijzing worden gespecificeerd en die overeenstemmen met EN 847 - 1.
- Houd rekening met de maximumsnelheid die op het zaagblad is aangeduid. Controleer of de snelheid die op het zaagblad staat vermeld ten minste gelijk is aan de snelheid die op de zaag staat vermeld.
- Gebruik altijd zaagbladen waarvan de grootte en de vorm geschikt zijn voor de dikte van de as. Zaagbladen die niet geschikt zijn voor de as waarop ze moeten worden gemonteerd zullen niet op de juiste manier ronddraaien en kunnen u de macht over de machine doen verliezen.
- Gebruik geen zaagbladen met een grotere of kleinere diameter dan aangewezen. Gebruik geen afstandhouders om het zaagblad op de as te doen passen.
- Controleer de punten van het zaagblad vóór gebruik op schade en een abnormaal uiterlijk. Punten die zijn beschadigd of loszitten kunnen tijdens het gebruik veranderen in vliegende objecten en verhogen het risico op persoonlijk letsel.
- Gescheurde zaagbladen of welke van vorm veranderd zijn, mogen niet gebruikt worden. Gebruik geen zaagbladen die beschadigd of vervormd zijn.
- Gooi de zaag weg als het is beschadigd, vervormd, verbogen of gescheurd; repareren is niet toegestaan.
- Gebruik geen HSS-zaagbladen.
- Zorg ervoor dat het zaagblad correct is gemonteerd voor u het gebruikt. Haal de bout van het zaagblad vóór gebruik stevig aan (aanhaalmoment ongeveer 10-15

EN
FR
DE
ES
IT
NL
PT
DA
SV
FI
NO
RU
PL
CS
HU
RO
LV
LT
ET
HR
SL
SK
BG
UK
TR
EL



Nm).

- De bevestigingsschroef en -moeren moeten met de juiste spanner aangehaald worden.
- Het verlengen van de spanner of aanhalen met behulp van hamerslagen is niet toegestaan.
- Zorg ervoor dat alle zaagbladen en flensen schoon zijn en de inspringzijden van de kraag zich tegen het zaagblad bevinden.
- Zorg ervoor dat het zaagblad in de juiste richting draait.
- Voor u begint te werken, maakt u een testsnede zonder dat de motor is ingeschakeld zodat de positie van het zaagblad, de werking van de beschermers m.b.t. andere machine-onderdelen en het werkstuk kunnen worden gecontroleerd.
- Laat de machine nooit onbeheerd draaien.
- Gebruik geen smeermiddelen op het zaagblad wanneer dit draait.
- Voer nooit reinigings- of onderhoudswerken uit wanneer de machine nog draait en de kop zich niet in de rustpositie bevindt.
- Probeer een elektrisch gereedschap dat in beweging is nooit snel te stoppen door een gereedschap of ander middel tegen het zaagblad aan te duwen. Hierdoor kunnen onbedoeld ernstige ongelukken ontstaan.
- Voordat u zaagbladen verwisselt of onderhoud uitvoert moet de zaag van het elektriciteitsnet worden afgehaald of de accu worden ontkoppeld.
- Let bij het in- en uitpakken goed op het zaagblad. U kunt zich snel verwonden aan de scherpe punten van het zaagblad.
- Gebruik een houder of draag handschoenen wanneer u een zaagblad hanteert.
- Bewaar het zaagblad in de oorspronkelijke verpakking of een andere geschikte verpakking. Bewaar het product op een droge plek, uit de buurt van chemicaliën die het mes kunnen beschadigen.

WAARSCHUWING

- Daag gezichts- en gehoorbescherming.
- Voorkom dat de zaagbladpunten oververhitten. Gebruik geen botte of beschadigde zaagbladen. Forceer de machine niet.
- Enkel het gebruik van zaagbladen is aangewezen.

AANVULLENDE VEILIGHEIDSWAARSCHUWINGEN

- Monteer nooit een slijpschijf op dit apparaat.
- Gebruik alleen blad diameter(s) die overeenkomen met de markeringen.
- Kies het juiste zaagblad voor het te zagen materiaal.
- Gebruik alleen zaagbladen die geschikt zijn voor een toerental (snelheid) dat gelijk is of hoger dan het toerental dat vermeld staat op het gereedschap.
- Gebruik alleen door de fabrikant aanbevolen zaagbladen die voldoen aan de richtlijn EN 847-1, indien bedoeld voor het zagen van hout en vergelijkbaar materiaal.
- Draag een stofmasker.
- Uitsluitend voor RCS1400: Een stroomstoot veroorzaakt stroomschommelingen die andere

elektrische producten op dezelfde stroomtoevoer kunnen beïnvloeden. Verbind het product met een stroombron waarvan de impedantie gelijk is aan $Z_{max}=0.459 \Omega$ om de spanningsschommelingen te minimaliseren.

LASERVEILIGHEID (RCS1600)



- De lasergeleiderstraling die in deze zaagmachine wordt gebruikt is klasse 2 met maximum $\leq 1mW$ en 650nm golflengtes. Staar niet rechtstreeks in de laserstraal. Het niet voldoen aan de regels kan ernstig persoonlijk letsel tot gevolg hebben.



We hebben een zelfklevend etiket in uw taal voorzien en vragen dat u dit boven de Engelse tekst op het waarschuwingsetiket aanbrengt voor u de machine in gebruik neemt.

- Staar niet in de laserstraal tijdens de werking.
- Projecteer de laserstraal niet rechtstreeks in de ogen van anderen. Ernstige oogletsels kunnen ontstaan.
- Plaats de laser niet in een positie die ertoe kan leiden dat iemand per ongeluk of opzettelijk in de laserstraal kijkt.
- Gebruik geen optische hulpmiddelen om de laserstraal te zien.
- Gebruik de laser niet in de buurt van kinderen en laat kinderen de laser niet bedienen.
- Probeer reparaties aan de laser niet zelf uit te voeren.
- Probeer nooit onderdelen van het lasertoestel zelf te vervangen.
- Alle reparaties mogen uitsluitend door de laserfabrikant of een geautoriseerde onderhoudsagent worden uitgevoerd.
- Vervang de laser niet door een ander type.

RESTRISCO'S

Zelfs wanneer het product zoals voorgeschreven wordt gebruikt, blijft het onmogelijk om alle restrisco's te voorkomen. De volgende gevaren kunnen optreden bij gebruik en de gebruiker dient speciaal op te letten om het volgende te voorkomen:

- Letsel veroorzaakt door terugslag
 - Zorg ervoor dat u de informatie in deze handleiding leest en begrijpt.
- Verwonding veroorzaakt door stof
 - Stof kan de ogen of luchtwegen indringen. Draag altijd gezichtsbescherming. Draag gepaste stofmaskers met filters die bescherming bieden tegen deeltjes van het materiaal dat wordt gesneden. Eten, drinken of roken verboden in het werkgebied. Zorg voor voldoende ventilatie.
- Verwondingen veroorzaakt door een elektrische schok.

- Het zaagblad kan in contact komen met verborgen kabels, waardoor bepaalde onderdelen van het product onder spanning komen te staan. Houd het product altijd aan de aangegeven handvatten vast en wees voorzichtig wanneer u in een muur of vloer zaagt, waar kabels verborgen kunnen zijn.

OPMERKING: Wanneer u werkt in muren, plafonds of vloeren, moet u voorzichtig zijn om elektrische kabels en gas- of waterleidingen te vermijden.

- Verwondingen veroorzaakt door contact met het zaagblad.
 - De zaagbladen zijn heel scherp en worden tijdens gebruik warm. Draag handschoenen wanneer u de zaagbladen vangt. Houd steeds de handen weg van het zaagbereik. Houd het werkstuk NOOIT met uw hand of tussen uw benen vast. Klem het werkstuk indien mogelijk vast.
- Letsel veroorzaakt door trillingen
 - Beperk blootstelling. Zie "Risico's Beperken".

RISICOBEPERKING

Vibraties van handgereedschap kan in bepaalde individuele gevallen leiden tot het syndroom van Raynaud. Symptomen kunnen ondermeer tintelingen, gevoelloosheid en bleek worden van de vingers omvatten, wat normaal gezien duidelijk wordt bij blootstelling aan koude. Erfelijke factoren, blootstelling aan koude en vocht, dieet, roken en werkrouetine kunnen allemaal bijdragen tot de ontwikkeling van deze symptomen. Er kunnen door de bediener maatregelen worden genomen om de gevolgen van de trillingen te beperken:

- Houd bij koud weer uw lichaam warm. Draag handschoenen wanneer u de machine gebruikt om handen en polsen warm te houden. Men neemt aan dat koud weer een belangrijke factor is die bijdraagt tot het Syndroom van Raynaud.
- Doe oefeningen om de bloeddoorstroming te bevorderen na elke periode van gebruik.
- Neem regelmatig een pauze. Beperk het aantal uren dat u per dag wordt blootgesteld.

Wanneer u enige van de symptomen van deze aandoening ervaart, stop dan onmiddellijk met het gebruik van het toestel en raadpleeg uw dokter

⚠ WAARSCHUWING

Letsels kunnen optreden of verergeren door langdurig gebruik van een gereedschap. Als u een werktuig gedurende langere periodes gebruikt, neem dan regelmatig pauze.

KEN UW PRODUCT

Zie pagina 135.

1. Hendel
2. Ontgrendelknop van de drukschakelaar
3. Bovenste beschermkap
4. Stofpoortadapter
5. Hendel van de onderste beschermkap
6. Zaagbladbout
7. Onderste beschermkap

8. Hendel, geïsoleerd grijpoppervlak
9. Hoekschaal
10. Vergrendeling hoekschaal
11. Geleidingsvergrendeling lengtesnede
12. Voetplaat
13. Laserkop (RCS1600)
14. Zaagblad
15. Speciale sleutel
16. Schulpgeleider

ONDERHOUD

⚠ WAARSCHUWING

Het product mag nooit worden aangesloten op de netvoeding bij het aansluiten van onderdelen, maken van afstellingen, schoonmaken, uitvoeren van onderhoud of als het product niet wordt gebruikt. Door het product los te koppelen van de stroomtoevoer voorkomt u incidenteel opstarten, wat ernstig letsel kan veroorzaken.

⚠ WAARSCHUWING

Gebruik bij het onderhoud uitsluitend de originele reserveonderdelen, accessoires en bijzetstukken van de fabrikant. Gebruik van niet originele onderdelen kan gevaar opleveren of schade aan de machine veroorzaken.

⚠ WAARSCHUWING

Remvloeistof, benzine, producten op basis van petroleum, kruipolie, enz mogen nooit in contact komen met kunststof onderdelen. Chemicaliën kunnen kunststof beschadigen, verzwakken of verwoesten, wat kan leiden tot ernstig letsel.

- Voorkom het gebruik van oplosmiddelen wanneer u kunststof onderdelen reinigt. De meeste kunststoffen kunnen worden beschadigd door de in de handel zijnde oplosmiddelen. Gebruik een schone doek om vuil of stof te verwijderen.
- Zorg ervoor dat het werktuig van de stroomvoorziening wordt ontkoppeld voor u het zaagblad vastmaakt of verwijdert. Reinig het product en het beveiligingssysteem met schone doeken.
- Draag altijd een veiligheidsbril of gezichtsbescherming met zijdelingse bescherming terwijl u het werktuig gebruikt of wanneer u stof blaast. Als het werk stof veroorzaakt, draag dan ook een stofmasker.
- Als het stroomsnoer beschadigd is, mag deze uitsluitend worden vervangen door de fabrikant of door een geautoriseerd onderhoudscentrum om risico te voorkomen. Neem contact op met een geautoriseerd onderhoudscentrum.
- Alle reparaties moeten worden uitgevoerd door een Erkend Servicecentrum teneinde de veilige en betrouwbare werking van de machine te garanderen.

EN
FR
DE
ES
IT
NL
PT
DA
SV
FI
NO
RU
PL
CS
HU
RO
LV
LT
ET
HR
SL
SK
BG
UK
TR
EL

SMERING

Alle lagers in het product zijn gesmeerd met voldoende kwalitatief smeermiddel voor de gehele levensduur van het product bij normale gebruiksomstandigheden. Extra smering is daarom niet noodzakelijk.

MILIEUBESCHERMING



Zorg dat grondstoffen worden gerecycleerd in plaats van weggegooid als afval. Om het milieu te beschermen dient de machine, de accessoires en de verpakking gesorteerd bij een erkend recyclingcentrum te worden aangeleverd.

SYMBOLEN OP HET PRODUCT



Veiligheidswaarschuwing

V

Volt

Hz

Hertz

~

Wisselstroom

W

Watt

n_o

Onbelast toerental

min⁻¹

Aantal toeren of omwentelingen per minuut



Klasse II, dubbelgeïsoleerd



Hout



Zaag geen metalen



Draag gehoorbescherming



Draag gezichtsbescherming



Laserstraling.
Kijk niet in de laserstraal.
Klasse 2 laserproduct
λ: 650nm; P≤1mW
EN 60825-1:2014



Gevaar! Scherp zaagblad.



Niet aan regen blootstellen



Maaibreedte



Zaagbladtanden



EG conformiteit



EurAsian-symbool van overeenstemming



Oekraïens conformiteitssymbool



Lees de instructies zorgvuldig voordat u de machine in gebruik neemt.



Elektrisch afval mag niet samen met ander huishoudafval worden weggegooid. Gelieve te recyclen indien de mogelijkheid bestaat. Neem contact op met uw gemeente of handelaar om advies te krijgen over recyclage.

SYMBOLEN IN DE GEBRUIKSAANWIJZING



Verbind met de stroombron.



Ontkoppel van de stroombron.



Onderdelen of accessoires afzonderlijk gekocht



Vergrendeling



Ontgrendeling



Opmerking

De volgende kernwoorden en verklaringen zijn bedoeld om de gevaarniveaus die op dit toestel betrekking hebben, te verklaren.

GEVAAR

Wijst op een gevaarlijke situatie die, indien ze niet wordt vermeden, kan leiden tot ernstige verwondingen of de dood.

WAARSCHUWING

Wijst op een mogelijk gevaarlijke situatie die, indien ze niet wordt vermeden, kan leiden tot ernstige verwondingen of de dood.

LET OP

Wijst op een mogelijk gevaarlijke situatie die, indien ze niet wordt vermeden, kan leiden tot lichte of middelmatige verwondingen.

LET OP

(Zonder veiligheidssymbool) Geeft een situatie aan die materiële schade zou kunnen veroorzaken.v



No design da nossa serra circular demos prioridade à segurança, ao desempenho e à fiabilidade.

UTILIZAÇÃO PREVISTA

A serra circular destina-se a ser utilizada por adultos que tenham lido e compreendido as instruções e os avisos neste Manual e que possam ser considerados responsáveis pelas suas acções.

O produto foi concebido para o corte transversal de madeira ou materiais similares até uma profundidade máxima de 54 mm. O produto tem capacidade para a realização de cortes em linha reta e biselados entre 0 e 45 graus. Durante a utilização, mantenha a base da ferramenta encostada à peça de trabalho. Apenas deverá ser utilizada numa área seca, bem iluminada e bem ventilada.

O produto foi concebido para ser manipulado directamente com as mãos. O produto não se destina a ser montado numa bancada de trabalho, excepto quando o fabricante da serra der instruções específicas sobre como fazer essa montagem. Não use para cortar metal ou alvenaria.

Utilize o produto exclusivamente para o uso para o qual foi concebido. O uso da ferramenta eléctrica para as operações diferentes daquelas a que se destina podem causar uma situação perigosa.

⚠ AVISO

Leia com atenção todas as advertências, instruções e especificações fornecidas com a ferramenta, e consulte as ilustrações. O incumprimento das instruções seguintes pode ocasionar acidentes como incêndios, choques eléctricos e/ou ferimentos graves.

Guarde todos os avisos e instruções para futuras consultas.

AVISOS DE SEGURANÇA DA SERRA CIRCULAR

PROCEDIMENTOS DE CORTE

⚠ PERIGO

Mantenha as mãos afastadas da área de corte e da lâmina. A mão que não segura a pega principal da ferramenta deve segurar a pega auxiliar ou então ficar sobre a carcaça motor. Desta maneira, as suas mãos não correm o risco de ficar na zona de corte, na trajectória da lâmina.

- **Não tente alcançar a parte de baixo da peça de trabalho.** neste lugar, o protector da lâmina não pode protegê-lo porque não cobre a lâmina.
- **Ajuste a profundidade de corte em função da espessura da peça a trabalhar.** Os dentes da lâmina não devem ultrapassar completamente debaixo da peça a trabalhar durante o corte.
- **NUNCA segure a peça a trabalhar com a mão ou entre as pernas.** Fixe-a num suporte estável. É primordial que fixe correctamente a peça a trabalhar para evitar qualquer risco de ferimentos e não dobrar a

lâmina para não perder o controlo da ferramenta.

- **Quando executar uma operação em que a ferramenta de corte possa entrar em contacto com fios condutores ocultos ou com o próprio cabo, agarre a ferramenta eléctrica apenas pelas superfícies de prensão isoladas.** O contacto com um cabo com corrente eléctrica fará com que as partes metálicas da ferramenta eléctrica se carreguem e pode provocar uma descarga eléctrica ao utilizador
- **Utilize sempre uma guia de corte paralelo ou uma ripa direita quando fizer um corte paralelo.** A precisão do corte será melhorada e evitará os riscos de dobragem da lâmina.
- **Utilize sempre lâminas de tamanho e de forma adaptadas ao furo do eixo.** Lâminas não adaptadas ao eixo onde elas devem ser montadas não trabalharão correctamente e provocarão uma perda de controlo da ferramenta.
- **Nunca utilize parafusos nem fixadores de lâmina defeituosos ou não adaptados.** Os fixadores e o parafuso da lâmina foram especialmente concebidos para o seu modelo de serra, para proporcionar uma maior segurança e uma melhor eficácia.

CAUSAS DO RICOCHETE E AVISOS RELACIONADOS:

- o ressalto consiste numa reacção repentina a uma lâmina dobrada, presa ou desalinhada, que faz com que a serra descontrolada se levanta e projete da peça de trabalho em direcção ao operador;
- quando a lâmina fica presa ou encravada devido ao fecho do corte, a lâmina para e a reacção do motor faz com que a unidade ressalte rapidamente na direcção do operador;
- Se a lâmina se torcer ou se estiver mal alinhada, os dentes situados atrás da lâmina podem enterrar-se na superfície da madeira, o que fará sair bruscamente a lâmina da peça a trabalhar em direcção do utilizador.

O coice é portanto o resultado de uma má utilização da ferramenta e/ou de procedimentos ou de condições de corte incorrectas. Pode ser evitado tendo o cuidado de cumprir certas precauções.

- **Segure firmemente a serra com ambas as mãos e ponha os seus braços de forma que possam resistir a um coice eventual.** Fique de um lado da serra quando estiver a trabalhar mas nunca no alinhamento da lâmina. O coice projecta subitamente a serra para trás mas este movimento pode ser controlado se o utilizador estiver à espera disso e se preparar.
- **Se a lâmina ficar entalada ou se tiver que interromper o corte por um motivo qualquer, solte o gatilho e mantenha a serra na peça a trabalhar até que a lâmina deixe completamente de girar.** Nunca tente retirar a serra da peça de trabalho ou puxe para trás enquanto a lâmina estiver em movimento ou poderá ocorrer um ricochete. Se a lâmina ficar entalada, procure a causa disso e tome as medidas necessárias para que isso não volte a acontecer.
- **Antes de voltar a pôr a serra a trabalhar para retomar um corte, alinhe correctamente a lâmina com o traço de serra e verifique se os dentes não**

EN
FR
DE
ES
IT
NL
PT
DA
SV
FI
NO
RU
PL
CS
HU
RO
LV
LT
ET
HR
SK
BG
UK
TR
EL



tocam na peça a trabalhar. Se uma lâmina se unir, pode subir ou ressaltar da peça de trabalho ao ligar a serra novamente.

- **Agunte a peças compridas a trabalhar para evitar que a lâmina fique entalada e para que minimize assim os riscos de coices.** As peças a trabalhar compridas têm tendência a abaular devido ao próprio peso. Pode pôr suportes dos dois lados da peça a trabalhar, perto da linha de corte e ao nível da extremidade da peça.
- **Não utilize lâminas embotadas ou danificadas.** As lâminas não afiadas ou mal montadas produzirão um corte de serra fino, o que provoca uma fricção excessiva da lâmina e portanto maiores riscos de torção e de coice.
- **Antes de começar um corte, verifique se os botões de ajuste da profundidade e da inclinação estão correctamente bloqueados.** Se os ajustes da posição da lâmina se modificarem durante o corte, a lâmina pode ficar entalada e ocorrer um coice.
- **Tenha extrema cautela ao serrar em paredes existentes ou outras zonas cegas.** A lâmina poderia chocar contra elementos ocultos, o que poderia provocar um coice.

FUNÇÃO DA PROTECÇÃO INFERIOR

- **Antes de cada utilização, verifique se o protector da lâmina inferior cobre correctamente a lâmina. Não utilize a serra se o protector da lâmina inferior não puder ser movido livremente e se não se fechar instantaneamente sobre a lâmina. Não fixe nem nunca prenda o protector da lâmina inferior na posição aberta.** Se a serra cair por descuido, o protector da lâmina inferior poderia ficar dobrado. Levante o protector da lâmina inferior por meio do manípulo e verifique se pode ser manipulado facilmente e se não toca na lâmina nem em nenhuma outra peça, qualquer que seja o ângulo e a profundidade de corte escolhidos.
- **Verifique se a mola do protector da lâmina inferior está em bom estado e se funciona correctamente. Se o protector da lâmina ou a mola não funcionarem correctamente, mande repará-los ou substituir antes da utilizar a serra.** A protecção inferior pode funcionar lentamente devido a peças danificadas, depósitos pegajosos ou a uma acumulação de detritos.
- **A protecção inferior pode ser recolhida manualmente apenas para cortes especiais como "cortes de mergulho" e "cortes compostos".** Levante o protector da lâmina inferior por meio da alavanca. Em seguida, assim que a lâmina penetrar na peça a trabalhar, solte o protector da lâmina inferior. Para todos os outros tipos de corte, o protector da lâmina inferior fica automaticamente no seu devido lugar.
- **Verifique sempre se o protector da lâmina inferior cobre bem a lâmina antes de colocar a serra numa bancada ou no chão.** Se a lâmina não ficar correctamente coberta, ela pode rodar por inércia e cortar tudo o que se encontrar na sua trajectória. Tenha consciência do facto de que a lâmina continua a rodar

durante um certo tempo depois da paragem do motor

INSTRUÇÕES DE SEGURANÇA PARA A LÂMINA PARA CORTE DE MADEIRA

- Antes de usar a lâmina da serra e a ferramenta eléctrica, leia o Manual e as instruções com atenção.
- A ferramenta eléctrica tem obrigatoriamente de estar em boas condições: o eixo rotativo não pode ter deformações nem vibrações.
- Não utilize a serra sem ter as guardas aplicadas em posição. Conserve as guardas em bom estado de funcionamento e manutenção.
- Certifique-se de que o operador recebeu a formação adequada para as precauções de segurança, a afinação e a operação da ferramenta eléctrica.
- Quando utilizar a ferramenta eléctrica, use sempre óculos fechados e protecção para os ouvidos. É recomendado utilizar luvas e calçado resistente e antiderrapante.
- Antes de utilizar qualquer acessório, consulte o manual de instruções. A utilização incorrecta de um acessório pode causar danos e aumentar o potencial de risco de ferimentos.
- Use lâminas apenas especificadas neste manual, em conformidade com EN 847-1.
- Observe a velocidade máxima marcada na lâmina da serra. Assegure que a velocidade indicada no disco da serra é pelo menos igual à velocidade indicada na serra.
- Utilize sempre lâminas de tamanho e de forma adaptadas ao furo do eixo. Lâminas não adaptadas ao eixo onde elas devem ser montadas não trabalharão correctamente e provocarão uma perda de controlo da ferramenta.
- Não utilize lâminas de diâmetro maior ou mais pequeno que o recomendado. Não utilize qualquer espaçador para encaixar a lâmina no eixo.
- Antes de cada utilização, inspeccione a lâmina da serra, procurando danos ou defeitos visíveis. Pontas danificadas ou frouxas podem soltar-se da lâmina e ser projectadas pelo ar durante a utilização, aumentando o risco de ferimentos.
- Não utilizar lâminas de corte fissuradas ou deformadas. Não use folhas de serra danificadas ou deformadas.
- Deite fora a lâmina da serra se estiver danificada, deformada, distorcida ou rachada. Não são permitidas reparações à lâmina da serra.
- Não utilize lâminas HSS.
- Certifique-se que a lâmina da serra está correctamente montada antes de a utilizar. Antes da utilização, dê aperto ao parafuso da lâmina (binário de aperto aprox. 10 a 15 Nm).
- Parafusos e porcas de fixação têm obrigatoriamente de ter o aperto correcto, utilizando uma chave de porcas adequada.
- Não é permitido utilizar a chave de porcas com extensor, nem dar aperto à martelada.
- Certifique-se que a lâmina e as flanges estão limpas e os lados encaixados do aro estão contra a lâmina.



- Certifique-se que a lâmina gira na direcção correcta.
- Antes de proceder ao trabalho, faça um corte de teste sem o motor ligado de modo a verificar a posição da lâmina, a operação das proteções relativamente a outras peças da máquina e a peça a trabalhar.
- Nunca deixe uma ferramenta em funcionamento sem vigilância.
- Não aplique lubrificantes na lâmina quando estiver em funcionamento.
- Nunca realize qualquer trabalho de limpeza ou manutenção quando a máquina ainda se encontra em funcionamento e a cabeça não estiver na posição de descanso.
- Nunca tente parar mais rapidamente uma ferramenta eléctrica em movimento encostando uma ferramenta à lâmina, nem de qualquer outra forma. Embora não intencionalmente, podem ser causados acidentes graves desta forma.
- Antes de trocar as lâminas ou de fazer manutenção, desligue a alimentação eléctrica da serra, desenchaxando a ficha da tomada de rede eléctrica ou tirando a bateria.
- Tenha cuidado com a lâmina sempre que a tirar da embalagem e a guardar na embalagem. É fácil sofrer ferimentos causados pelas pontas afiadas da lâmina.
- Use um suporte ou luvas de protecção ao manusear uma lâmina de serra.
- Guarde e armazene a lâmina na embalagem de origem ou noutra embalagem adequada. Mantenha a lâmina em condições secas e afastada de produtos químicos, devido ao risco de danificar a lâmina.

- Use máscara contra pó.
- Só para RCS1400: Um pico de corrente causa variações de voltagem e pode afectar outros aparelhos eléctricos na mesma linha eléctrica. Ligue o dispositivo à tomada eléctrica com uma impedância de $Z_{max}=0.459 \Omega$ para minimizar as flutuações de voltagem.

SEGURANÇA LASER (RCS1600)



- A radiação do guia laser utilizada nesta serra é de Classe 2 com comprimentos de onda máximos de $\leq 1mW$ e 650nm. Não olhe directamente para o feixe laser. O não cumprimento destas regras pode resultar em graves lesões físicas.



- Fornecemos uma etiqueta adesiva na sua língua e pedimos que a coloque no local do texto em inglês, na etiqueta de aviso, antes de colocar a máquina em funcionamento pela primeira vez.
- Não olhe para o feixe durante o funcionamento.
- Não projecta o feixe laser directamente para os olhos de outras pessoas. Poderão ocorrer graves lesões nos olhos.
- Não coloque o laser numa posição que possa fazer com que alguém olhe fixamente no feixe laser intencionalmente ou sem intenção.
- Não utilize ferramentas ópticas para ver o feixe laser.
- Não opere o laser perto de crianças ou não deixe crianças operar o laser.
- Não tente reparar o dispositivo laser por si próprio.
- Não tente substituir sozinho(a) qualquer peça do aparelho laser.
- Qualquer reparação deve ser executada pelo fabricante de laser ou um agente de assistência autorizado.
- Não substitua o laser por outro de tipo diferente.

AVISO

- Use protecção para os olhos e ouvidos.
- Evite o sobreaquecimento as pontas de lâmina. Não utilize lâminas embotadas ou danificadas. Não force a ferramenta.
- Utilize apenas lâminas de serra recomendadas.

AVISOS DE SEGURANÇA ADICIONAIS

- Nunca utilize um disco abrasivo.
- Certifique-se de que a lâmina fixa está ajustada de modo a que a distância entre a lâmina fixa e o rebordo da lâmina não seja superior a 5 mm e o rebordo da lâmina não se alongue mais do que 5 mm além da extremidade mais baixa da lâmina fixa.
- Utilize apenas o(s) diâmetro(s) da lâmina de acordo com as marcações.
- Identifique a lâmina da serra correcta para o material a cortar.
- Utilize apenas lâminas de serra com a indicação de velocidade igual ou superior à assinalada na ferramenta.
- Utilize apenas as lâminas recomendadas pelo fabricante, que estejam em conformidade com a norma EN 847-1, se destinadas a madeiras ou materiais análogos.

RISCOS RESIDUAIS

Mesmo quando se utiliza o produto segundo as instruções, continua a ser impossível eliminar por completo certos fatores de risco residuais. Podem surgir os seguintes riscos durante o uso e o operador deve prestar especial atenção para evitar o seguinte:

- Lesões por ricochete
 - Leia e compreenda a informação dada neste Manual.
- Prejuízo causado pela poeira
 - O pó pode entrar nos olhos ou no sistema respiratório. Use sempre protecção para os olhos. Use uma máscara de controlo do pó indicada com filtros de pó adequados para proteger das partículas



produzidas pelo corte do material. Não coma, beba ou fume na área de trabalho. Assegurar uma ventilação adequada.

- Lesões causado por choque elétrico
 - A lâmina pode tocar em fios ocultos, fazendo com que partes do produto ganhem vida. Segure sempre o produto pelas pegadas designadas e tome cuidado ao efetuar cortes cegos em paredes e pisos onde os cabos podem estar escondidos.

NOTA: Quando trabalhar em paredes, tetos ou pisos, tome cuidado para evitar cabos elétricos e tubos de gás ou água.

- Ferimentos por contacto com a lâmina
 - As lâminas são muito afiadas e ficam quentes durante a utilização. Use luvas ao trocar as lâminas. Mantenha sempre as mãos afastadas da área de corte. NUNCA segure a peça a trabalhar com a mão ou entre as pernas. Sempre que possível, fixe a peça de trabalho.
- Lesões por vibração
 - Limite a exposição. Consulte o ponto "Redução De Riscos".

REDUÇÃO DO RISCO

Informou-se que as vibrações das ferramentas manuais podem contribuir para uma doença chamada síndrome de Raynaud em certos indivíduos. Os sintomas podem incluir formiguelo, entorpecimento e empalidecimento dos dedos, habitualmente visível aquando da exposição ao frio. Estima-se que os factores hereditários, exposição ao frio e humidade, dieta, tabagismo e práticas de trabalho contribuem todos para o desenvolvimento destes sintomas. Existem medidas que podem ser tomadas pelo operador para possivelmente reduzir os efeitos da vibração:

- Mantenha o seu corpo quente durante o tempo frio. Ao operar a unidade, use luvas para manter as mãos e os pulsos quentes. Encontra-se reportado que o tempo frio é um grande factor que contribui para o Síndrome de Raynaud.
- Após cada período de operação, exercite para aumentar a circulação sanguínea.
- Faça pausas frequentes no trabalho. Limite o tempo de exposição por dia.

Caso sinta algum dos sintomas desta doença, interrompa de imediato a sua utilização e consulte o seu médico sobre estes sintomas.

⚠ AVISO

As lesões podem ser causadas ou agravadas pelo uso prolongado de uma ferramenta. Ao usar qualquer ferramenta durante períodos prolongados, assegure-se que faz intervalos regulares.

CONHEÇA O SEU PRODUTO

Consulte a página 135.

1. Gatilho
2. Botão de desbloqueio do gatilho

3. Protector da lâmina superior
4. Adaptador de porta de pó
5. Alavanca do protector da lâmina inferior
6. Parafuso da lâmina
7. Protector da lâmina inferior
8. Pega, superfícies de prensão isoladas
9. Escala de ângulos
10. Tranca da escala de ângulos
11. Tranca da guia de corte longitudinal
12. Base
13. Cabeça de laser (RCS1600)
14. Lâmina
15. Chave de serviço
16. Guia de corte/graminho

MANUTENÇÃO

⚠ AVISO

O produto não deve nunca ligado à corrente eléctrica durante a montagem de peças, a realização de ajustes, limpeza, operações de manutenção ou quando não está em uso. Desligar o produto da fonte de alimentação eléctrica irá impedir o arranque acidental que poderia causar ferimentos graves.

⚠ AVISO

Na manutenção utilize apenas peças sobresselentes, acessórios e auxiliares originais do fabricante. O uso de quaisquer outras peças pode criar perigo ou causar danos ao aparelho.

⚠ AVISO

Nunca, em qualquer momento, deixe que fluidos de travagem, gasolina, produtos petrolíferos, óleos de perfuração, etc., entrem em contacto com as peças de plástico. Estes produtos químicos contêm substâncias que podem danificar, deteriorar ou destruir o plástico, o que poderia provocar ferimentos graves.

- Evite usar solventes ao limpar as peças de plástico. A maioria dos plásticos pode ser danificada pelos solventes vendidos no comércio. Utilize um pano limpo para remover as sujidades, o pó, etc.
- Certifique-se que desliga a ferramenta da rede eléctrica antes de instalar ou remover a lâmina serra. Utilize panos limpos para limpar o produto e o sistema das guardas.
- Use sempre óculos de protecção ou óculos de segurança com protecções laterais durante a operação da ferramenta eléctrica ou quando estiver a levantar poeira no ar. Caso a operação seja poeirenta, use também uma máscara contra o pó.
- Se o cabo de alimentação estiver danificado, deverá ser substituído unicamente pelo fabricante ou por um centro de serviço autorizado para evitar riscos. Contacte o centro de serviço autorizado.
- Para uma maior segurança e fiabilidade, todas as reparações devem ser realizadas por um centro de

assistência autorizado.

LUBRIFICAÇÃO

Todos os rolamentos deste produto estão lubrificados com um montante suficiente de lubrificante de elevado nível, de acordo com a duração de vida do produto em condições normais de funcionamento. Por conseguinte, não requer nenhuma lubrificação suplementar.

PROTECÇÃO DO AMBIENTE



Recicle os materiais em vez de pô-los directamente no lixo doméstico. Para proteger o ambiente, a ferramenta, os acessórios e as embalagens devem ser seleccionados.

SÍMBOLOS NO PRODUTO



Alerta de segurança

V

Volts

Hz

Hertz

~

Corrente alterna

W

Watts

n_o

Velocidade em vazio

min⁻¹

Número de rotações ou movimentos por minuto



Classe II, com duplo isolamento



Madeira



Não corte metais



Use protecção para os ouvidos



Use protecção para os olhos



Radiação do laser.
Não olhe directamente para o feixe.
Produto laser de Classe 2
λ: 650nm; P≤1mW
EN 60825-1:2014



Perigo! Lâmina afiada.



Não exponha à chuva



Largura do corte



Dentes da lâmina



Conformidade CE



Marca de conformidade EurAsian



Marca de conformidade ucraniana



Agradecemos que leia atentamente as instruções antes de iniciar a máquina.



Os aparelhos eléctricos antigos não devem ser eliminados juntamente com o lixo doméstico. Recicle onde existem instalações para o efeito. Verifique com as suas Autoridades Locais ou revendedor para obter informações sobre reciclagem.

SÍMBOLOS NESTE MANUAL



Conecte à fonte de alimentação.



Desconecte da fonte de alimentação.



As peças ou acessórios vendem-se separadamente



Bloqueio



Abrir



Nota

As seguintes palavras de sinal e significados destinam-se a explicar os níveis de risco associados a este produto.

⚠ PERIGO

Indica uma situação de perigo iminente, a qual, se não for evitada, pode resultar em morte ou ferimentos graves.

⚠ AVISO

Indica uma situação potencialmente perigosa que, se não for evitada, pode resultar em morte ou ferimentos graves.

⚠ CAUTELA

Indica uma situação potencialmente perigosa que, se não for evitada, pode resultar em ferimentos leves ou moderados.

CAUTELA

(Sem símbolo de segurança) Indica uma situação que pode provocar danos materiais.



Ved udformningen af din rundsav har vi givet topprioritet til sikkerhed, gode resultater og driftssikkerhed.

TILTÆNKT ANVENDELSESFORMÅL

Rundsaven er kun beregnet til at blive brugt af voksne, som har læst og forstået instruktionerne og advarslerne i denne vejledning og som kan betragtes som værende ansvarlige for deres handlinger.

Dette produkt er udviklet til tvær- og længdeskæring af træ til en maks. dybde på 54 mm. Produktet kan foretage lige og smigskårne snit mellem 0 og 45 grader. Den må kun bruges, når det nederste af værktøjet er i kontakt med arbejdsområdet. Den må kun bruges på tørre, velbelyste og godt ventilerede steder.

Produktet er designet til håndholdt brug. Produktet må ikke monteres på en arbejdsbænk uden specifikke instruktioner om, hvordan det gøres givet af savens producent. Må ikke bruges til skæring i metal eller murværk.

Produktet må kun bruges til de formål, der er angivet under formålsbestemt/korrekt brug. Brug af elværktøjet i strid med det tiltænkte anvendelsesformål kan medføre farlige situationer.

⚠ ADVARSEL

Læs alle omhyggeligt alle advarsler, anvisninger og specifikationer, som følger med maskinen, og studer illustrationerne. Hvis nedenstående forskrifter ikke overholdes, kan der ske uheld og ulykker som brand, elektrisk stød og/eller alvorlige personskader.

Gem alle advarsler og brugsanvisninger til senere brug.

SIKKERHEDSADVARSLER OM RUNDSAV

SKÆREPROCEDURER

⚠ FARE

Hold hænderne på afstand af skæreområdet og klingens bane. Den hånd, der ikke griber om værktøjets hovedhåndtag, skal holde om hjælpehåndtaget eller hvile på motorskærmen. Hænderne risikerer så ikke at komme ind i saveområdet i klingens bane.

- **Ræk ikke hånden ind under emnet.** der yder klingskærmen nemlig ingen beskyttelse, for den dækker ikke klingens bane.
- **Indstil savedybden efter arbejdsstykkets tykkelse.** Klingetænderne må ikke stikke helt ned under arbejdsstykket under savningen.
- **Hold ALDRIG arbejdsstykket med hånden eller mellem benene.** Spænd det fast på et stabilt underlag. Det er meget vigtigt at spænde arbejdsstykket godt fast for ikke at komme til skade, bøje klingens bane eller miste kontrollen over værktøjet.
- **Hold kun på elværktøjet på de isolerede gribeblader ved udførelse af en opgave, hvor skæreværktøjet og fastgørelser kan komme i berøring med skjulte ledninger eller egen ledning.** Kontakt med strømførende kabler kan gøre udsatte metaldele af

elværktøjet strømførende og kan give operatøren elektrisk stød.

- **Brug altid parallelsavestyr eller en lige liste ved savning af parallelsnit.** Savepræcisionen bliver større, og klingens risikorer ikke at blive bøjet.
- **Brug altid klinger med en størrelse og facon, der passer til akselboringen.** Klinger, som ikke passer til akslen, de skal monteres på, vil ikke dreje ordentligt rundt og kan bevirke, at man mister kontrollen over værktøjet.
- **Brug aldrig klingskruer eller -flanger, som er defekte eller uegnede.** Klingeflangerne og -skrueerne er specielt beregnet til den enkelte savmodel for optimal sikkerhed og ydeevne.

ÅRSAGER TIL TILBAGESLAG ('KICKBACK') OG TILHØRENDE ADVARSLER:

- Tilbageslag er en pludselig reaktion på en fastklemt, fastkørt eller forkert justeret savklinge, der forårsager, at en ukontrolleret savklinge løfter sig op og ud af arbejdsområdet i retning af operatøren.
- Når klingens bane bliver fastklemt eller fastlåst stramt ved, at kanten lukker sig, kører klingens bane fast, og motorens reaktion fører enheden hurtigt tilbage i retning af operatøren.
- Hvis klingens bane vrider sig eller er rettet forkert ind, risikerer tænderne ved klingens bane at gå ned i træfladen, hvilket får klingens bane til at hoppe brat ud af arbejdsstykket og mod brugeren.

Tilbageslag skyldes altså, at værktøjet bruges forkert, og/eller at saveforholdene eller fremgangsmåden er u hensigtsmæssige. Det kan undgås, hvis der tages nogle forholdsregler.

- **Grib godt fat om saven med begge hænder, og hold armene således, at de kontrollerer et eventuelt tilbageslag.** Stå på den ene side af saven under arbejdet og aldrig i forlængelse af klingens bane. Ved tilbageslag slynges saven pludselig bagud, men denne bevægelse kan kontrolleres, hvis brugeren er forberedt på det.
- **Hvis klingens bane sætter sig fast, eller hvis snittet skal afbrydes af en eller anden årsag, slippes start-stopknappen, og saven holdes i arbejdsstykket, indtil klingens bane er holdt helt op med at dreje rundt.** Man må aldrig forsøge at tage saven ud af emnet eller trække saven tilbage, så længe klingens bane er i bevægelse, da der ellers er fare for tilbageslag. Hvis klingens bane sætter sig fast, søges årsagen, og de nødvendige forholdsregler tages for at undgå, at det sker igen.
- **Inden saven startes igen for at genoptage savningen, rettes klingens bane omhyggeligt ind efter savsnittet, og det sikres, at tænderne ikke rører ved arbejdsstykket.** Når en savklinge binder, kan den springe op eller slå tilbage fra arbejdsområdet, når saven bliver genstartet.
- **Sørg for at understøtte lange emner for at undgå, at klingens bane sætter sig fast, og formindsk risikoen for tilbageslag.** Lange emner har tendens til at bukke under deres egen vægt. Der kan indsættes støtteanordninger i begge sider af arbejdsstykket, tæt ved savelinien og ved arbejdsstykkets yderpunkt.
- **Brug aldrig sløve eller beskadede savklinger.** Hvis





klingen ikke er skarp, eller hvis den er monteret forkert, får den for stor friktionsmodstand i savsnittet, hvilket øger risikoen for, at den vrider sig og for, at saven springer tilbage.

- **Inden snittet påbegyndes, kontrolleres at dybde- og hældningsindstillingsknapperne er spændt forsvarligt.** Hvis klingens positionsindstillinger ændres under savningen, kan klingen sættes sig fast og saven springe tilbage.
- **Vær ekstra forsigtig, når du saver ind i eksisterende vægge eller blinde områder.** Klingens kan ramme skjulte elementer og forårsage tilbageslag.

UNDESKÆRMENS FUNKTION

- **Inden brug kontrolleres, at den nederste klingskærm dækker klingen rigtigt.** Brug ikke saven, hvis den nederste klingskærm ikke kan bevæges frit, og hvis den ikke lukker øjeblikkeligt om klingen. Fastgør eller hold aldrig den nederste klingskærm i åben stilling. Hvis saven falder på gulvet, kan den nederste klingskærm blive bøjet. Løft den nederste klingskærm op ved hjælp af grebet, og se efter, om den kan bevæges uden besvær og ikke rører ved hverken klingen eller andre dele usanset savevinkel og –dybde.
- **Se efter, om den nederste klingskærms fjeder er i god stand og virker efter hensigten.** Hvis klingskærmen eller fjederen ikke virker rigtigt, skal de repareres eller udskiftes, inden saven bruges. Den nederste skærm kan gå trægt pga. beskadigede dele, gummirester eller ansamling af rester/spåner.
- **Den nederste skærm må kun trækkes manuelt tilbage til udførelse af specielle snit** såsom "lømmesnit" og "sammensatte snit". Løft den nederste klingskærm op ved hjælp af grebet. Så snart klingen går ned i arbejdsstykket, slippes den nederste klingskærm. For alle andre typer snit går den nederste klingskærm på plads af sig selv.
- **Se altid efter, om den nederste klingskærm nu også dækker klingen, inden saven lægges på et arbejdsbord eller på gulvet.** Hvis klingen ikke er dækket rigtigt, kan den dreje rundt på grund af træghed og skære det, der befinder sig i dens bane. Vær opmærksom på, at klingen bliver ved med at dreje rundt et stykke tid, efter motoren er standset.

AFSKÆRMNINGENS FUNKTION

- **Kontroller, at afskærmningen lukke korrekt før hver brug.** Brug ikke saven, hvis afskærmningen ikke bevæger sig frit og omslutter klingen øjeblikkeligt. Opspænd eller fastbind aldrig afskærmningen, så klingen bliver blottagt. Hvis saven ved en fejl bliver tabt, kan afskærmningen blive bøjet. Kontroller for at sikre, at afskærmningen bevæger sig frit og ikke er i berøring med klingen eller nogen anden del i alle vinkler og dybder på snittet.
- **Kontroller funktion og tilstand på afskærmningens retur fjeder.** Hvis klingskærmen eller fjederen ikke virker rigtigt, skal de repareres eller udskiftes, inden saven bruges. Afskærmningen kan fungere sløvt på grund af beskadigede dele, afsætninger af gummi eller ophobninger af affald.
- **Kontroller, at bundpladen på saven ikke skubber sig, når der foretages "dybdesnit".** Klingskift

sidedærts vil forårsage binding eller sandsynligvis tilbageslag.

- **Læg altid mærke til, om afskærmningen dækker klingen, inden saven sættes med på bænken eller gulvet.** Hvis klingen ikke er dækket rigtigt, kan den dreje rundt på grund af træghed og skære det, der befinder sig i dens bane. Vær opmærksom på, at klingen bliver ved med at dreje rundt et stykke tid, efter motoren er standset.

SPALTEKNIVSFUNKTION

- **Brug den korrekte savklinge til spaltekniven.** For at spaltekniven skal fungere, skal kroppen på klingen være tyndere end spaltekniven, og skærebredden for klingen skal være større end tykkelsen på spaltekniven.
- **Juster spaltekniven som beskrevet i denne instruktionsmanual.** Ukorrekt mellemrum, positionering og justering kan gøre spaltekniven ineffektiv, hvad angår forebyggelse af tilbageslag.
- **Brug altid spaltekniven undtagen ved dybdesnit.** Spaltekniven skal sættes på plads efter dybdesnit. Spaltekniven forårsager forstyrrelse under skæring og kan skabe tilbageslag.
- **For at spaltekniven kan fungere, skal den være aktiv i arbejdsområdet.** Spaltekniven er ikke effektiv til forebyggelse af tilbageslag under korte skæringer.
- **Brug ikke saven, hvis spaltekniven er bøjet.** Selv en mindre forstyrrelse kan sænke lukkehastigheden på en afskærmning.

SIKKERHEDSINSTRUKTIONER FOR TRÆSKÆRENDE KLINGE

- Læs vejledningen og instruktionerne omhyggeligt, før du bruger rundsaven og det elektriske værktøj.
- Det elektriske værktøj skal være i god stand, og spindlen må ikke være deformt og må ikke vibrere.
- Saven må ikke anvendes, hvis afskærmningerne ikke er i position. Hold afskærmningerne i god stand, og sørg for at vedligeholde dem.
- Sørg for, at operatøren er tilstrækkelig godt trænet i de sikkerhedsmæssige forholdsregler samt justeringen og betjeningen af det elektriske værktøj.
- Ved brug af det elektriske værktøj skal du altid anvende sikkerhedsbriller og hørevæm. Det anbefales at bruge handsker og kraftige skridsikre sko.
- Konsulter brugsanvisningen inden brug af ekstraudstyr/tilbehør. Forkert anvendelse af tilbehør kan forårsage skader og øge risikoen for personskader.
- Brug kun klinger, som er specificeret i denne brugsanvisning, og som overholder EN 847-1.
- Overhold den maksimale hastighed, der er markeret på savklingen. Kontrollér, at den hastighed, der er anført på savklingen, som minimum svarer til den hastighed, der er anført på saven.
- Brug altid klinger med en størrelse og facon, der passer til akselboringen. Klinger, som ikke passer til akslen, de skal monteres på, vil ikke dreje ordentligt rundt og kan bevirke, at man mister kontrollen over værktøjet.
- Undlad brug af klinger med større eller mindre diameter end anbefalet. Undlad brug af mellemstykker for at få klingen til at passe til spindlen.
- Før hver anvendelse skal du kontrollere spidsen af

EN
FR
DE
ES
IT
NL
PT
DA
SV
FI
NO
RU
PL
CS
RO
HU
LV
LT
ET
HR
SK
BG
UK
TR
EL



savklingen for skader og kontrollere, om den ser normal ud. Spidser, der er beskadigede eller løse, kan under brug flyve af, hvorved risikoen for personskade øges.

- Ridsede savklinger eller sådanne, som har ændret form, må ikke bruges. Benyt ikke savblade, der er beskadiget eller deformeret.
- Hvis en savklinge er beskadiget, deform, skæv eller revnet, skal den smides ud. Reparation er ikke tilladt.
- Undlad brug af HHS-klinger.
- Sørg for, at savklingen er monteret korrekt inden brugtagning. Klingebolten skal strammes godt før brug (stram til ca. 10-15 Nm).
- Spændeskruen og møtrikkerne skal strammes ved hjælp af den passende skruenøgle.
- Det er ikke tilladt at forlænge skruenøglen eller stramme den ved at slå på den med en hammer.
- Sørg for, at alle klinger og flanger er rene, og at manchettens forsænkede sider ligger an mod klingen.
- Kontrollér, at klingen roterer i den rigtige retning.
- Inden påbegyndelse af arbejdet skal man foretage et prøvesnit uden tændt motor, så man kontrollerer klingens position og skærmens funktionsmåde i forhold til maskindelene og emnet.
- Lad aldrig værktøjet køre uden opsyn.
- Undlad at påføre smøremidler på klingen, mens denne kører.
- Der må aldrig udføres rengøring eller vedligeholdelsesarbejde, mens maskinen kører og skærehovedet ikke er i hvileposition.
- Forsøg aldrig hurtigt at standse et elektrisk værktøj, der er tændt, ved at sætte værktøjet eller klingen i spænd eller på anden vis. På denne måde kan der opstå utilsigtede alvorlige ulykker.
- Før der skiftes klinge, eller før der udføres vedligeholdelse, skal der slukkes for strømmen, eller batteriet skal tages ud.
- Vær forsigtig med klingen, når du pakker den ud eller pakker den ind. Man kan let komme til skade pga. klingens skarpe spids.
- Brug en holder, eller bær handsker, under håndtering savklinger.
- Klingen skal opbevares i den originale emballage eller anden egnet indpakning. Opbevar under tørre forhold og på afstand af kemikalier, som kan beskadige klingen.

⚠ ADVARSEL

- Bær øjen- og høreværn.
- Undgå overophedning af klingespidserne. Brug aldrig sløve eller beskadigede savklinger. Undlad at tvinge værktøjet.
- Brug kun anbefalede savklingetyper.

EKSTRA SIKKERHEDSADVARSLER

- Brug aldrig slibeskiver.
- Brug kun klingediameter(e) i overensstemmelse med mærkninger.
- Find det korrekte savklinge til brug til det materiale, der skal skæres.
- Brug kun savklinger afmærket med en hastighed

svarende til eller højere end den hastighed, der er afmærket på værktøjet.

- Brug kun savklinger anbefalet af fabrikanten, og som er i overensstemmelse med EN 847-1 ved brug til træ og tilsvarende materialer.
- Bær støvmaske.
- Kun til RCS1400: En strømspids forårsager spændingssvingninger og kan påvirke andre elektriske produkter tilsluttet samme strømforsyningslinje. Produktet skal slutes til en strømforsyning med en impedans svarende til $Z_{max}=0.459 \Omega$ for at minimere spændingssvingninger.

LASERSIKKERHED (RCS1600)



- Laserstrømråden i saven er klasse 2 med max $\leq 1mW$ og 650 nm bølglængder. Undlad at se direkte ind i laserstrålen. Manglende overholdelse af disse regler kan medføre alvorlig personskade.



Vi har medsendt en selvkøbende mærkat på dit sprog og beder dig nu om at påsætte denne i stedet for den engelske tekst oven på advarselmærkaten, inden maskinen tages i brug første gang.

- Undlad at se ind i strålen under arbejdet.
- Ret ikke laserstrålen direkte mod øjnene på andre personer. Fare for alvorlige øjenskader.
- Anbring ikke laseren i en position, der kan bevirke, at andre bevidst eller ubevidst stirrer ind i laserstrålen.
- Undlad at bruge optiske værktøjer til visning af laserstrålen.
- Brug ikke laseren i nærheden af børn, og lad ikke børn bruge laseren.
- Forsøg ikke selv at reparere laseranordningen.
- Forsøg ikke selv at skifte nogen dele af laseranordningen.
- Reparation må kun udføres af laserproducenten eller en autoriseret servicerepræsentant.
- Udskift ikke laseren med en anden type.

UUNDGÅELIGE RISICI

Selv om produktet anvendes som foreskrevet, er det stadig umuligt at eliminere visse uundgåelige risikofaktorer fuldstændigt. Følgende risici kan opstå under brug, og operatøren bør være særligt opmærksom for at undgå følgende:

- Personskader forårsaget af tilbageslag ("kickback")
 - Sørg for at læse og forstå denne vejledning.
- Personskader forårsaget af støv
 - Der kan komme støv i øjnene eller åndedrætsorganerne. Der skal altid benyttes øjenværn. Bær passende støvkontrolmaske med filtre egnet til beskyttelse mod partikler fra materiale,

der bliver skåret. Undlad at spise, drikke eller ryge i arbejdsområdet. Sørg for tilstrækkelig ventilation på arbejdspladsen.

- Personskade som følge af elektrisk stød
 - Klingen kan køre mod skjulte kabler, hvorved dele af produktet kan blive strømførende. Hold altid produktet i de hertil indrettede håndtag, og pas på ved blindskæring i vægge og gulve, hvor der kan være skjulte kabler.

BEMÆRK: Når der arbejdes i vægge, lofter eller gulve, skal man sørge for at undgå el-, gas- eller vandledninger.

- Personskade som følge af kontakt med klingerne
 - Klingerne er meget skarpe og bliver varme under brug. Benyt handsker, når der skiftes klinger. Hænderne skal altid holdes på afstand af skæreområdet. Hold ALDRIG arbejdsstykket med hånden eller mellem benene. Emnet skal så vidt muligt altid fastspændes.
- Personskader forårsaget af vibration
 - Begræns eksponering. Se "Risikoreduktion".

RISIKOREDUKTION

Der er rapporteret om, at vibrationer fra håndholdte værktøjer kan være medvirkende til en lidelse kaldet Raynauds syndrom hos visse personer. Symptomerne herpå kan være prikken, følelsesløshed og blegning af fingrene, der normalt viser sig ved kuldepåvirkning. Faktorer som arvelighed, udsættelse for kulde og fugt, kost, rygning og arbejdsvaner menes alle at medvirke til udviklingen af disse symptomer. Der findes forholdsregler, som operatøren kan træffe for at begrænse påvirkningen fra vibrationer:

- Hold kroppen varm i koldt vejr. Brug handsker, så hænder og vriste holdes varme under arbejdet. Der er rapporteret om, at koldt vejr er en væsentlig faktor til Raynauds syndrom.
- Motionér efter hver arbejdsperiode for at øge blodcirkulationen.
- Hold hyppige arbejdspauser. Begræns eksponeringen for vibrationer pr. dag.

Hvis du mærker nogen af symptomerne på denne tilstand, skal du straks ophøre med arbejdet og søge læge.

⚠ ADVARSEL

Længere tids brug af et værktøj kan forårsage - eller forværre - personskader. Når man bruger et værktøj i længere perioder ad gangen, skal man huske at holde hyppige pauser.

KEND PRODUKTET

Se side 135.

1. Udløser
2. Start-stopknappens opløsningsknap
3. Øverste klingskærm
4. Støvåbnings-adapter
5. Greb for nederste klingskærm
6. Klingebolt
7. Nederste klingskærm
8. Håndtag, isoleret gribeblade

9. Vinkelskala
10. Lås til vinkelskala
11. Lås til flængebeskyttelse
12. Bundplade
13. Laserhoved (RCS1600)
14. Klinge
15. Servicenøgle
16. Parallellanslag

VEDLIGEHOJDELSE

⚠ ADVARSEL

Produktet må aldrig sluttes til en strømforsyning, mens man er i færd med at samle dele, foretage justeringer, rengøre, udføre vedligeholdelsesarbejde, eller når produktet ikke anvendes. Frakobling af produktet fra strømforsyningen vil forhindre utilsigtet start, hvilket kan medføre alvorlig personskade.

⚠ ADVARSEL

Ved service Brug kun originale reservedele, ekstraudstyr og tilbehør fra producenten. Brug af alternative dele kan forårsage farlige situationer eller ødelægge produktet.

⚠ ADVARSEL

Sørg for, at bremsevæske, benzin, petroleumsbaserede produkter, penetreringsolie, mv., aldrig kommer i kontakt med plastdele. Disse kemiske produkter indeholder stoffer, som kan beskadige, mørne eller ødelægge plastrmateriale, så man risikerer at komme alvorligt til skade.

- Undgå brug af opløsningsmidler til rengøring af plastdele. De fleste plasttyper bliver ødelagt, hvis de renses med almindelige gængse opløsningsmidler. Fjern snavs, støv m.v. med en ren klud.
- Husk at afbryde værktøjet fra strømforsyningen inden montering eller udtagning af savklingen. Rengør produktet og beskyttelsessystemet med rene klude.
- Bær altid sikkerhedsbriller med sideskjolde under betjening af elværktøjet eller ved støv-ophvirvling. Hvis der ophvirvles støv under arbejdet, bæres også støvmaske.
- Hvis strømforsyningskablet beskadiges, skal det udskiftes af producenten eller på et autoriseret servicecenter for at undgå risici. Kontakt et autoriseret servicecenter.
- Af hensyn til større sikkerhed og pålidelighed skal alt reparationsarbejde udføres på et autoriseret RYOBI-servicecenter.

SMØRING

Alle lejerne i produktet er smurt for produktets levetid under normale driftsbetingelser med en tilstrækkelig mængde højkvalitetssmøremiddel. Det er derfor ikke nødvendigt med yderligere smøring.

MILJØBESKYTTELSE



Råmaterialerne skal genbruges og ikke bortskaffes som almindeligt affald. Af hensyn til miljøet skal redskab, tilbehør og emballage sorteres.

SYMBOLER PÅ PRODUKTET



Sikkerhedsadvarsel

V

Volt

Hz

Hertz

~

Vekselstrøm

W

Watt

n_o

Tomgangshastighed

min⁻¹

Antal omdrejninger eller bevægelser pr. Minut



Klasse II, dobbeltisoleret



Træ



Undlad at skære i metal



Benyt høreværn



Benyt øjenværn



Laserstråling.
Se aldrig direkte ind i strålen.
Klasse 2-laserprodukt
λ: 650nm; P≤1mW
EN 60825-1:2014



Fare! Skarp klinge.



Må ikke udsættes for regn



Snitbredde



Klingetænder



CE-overensstemmelse



EurAsian overensstemmelsesmærke



Ukrainsk overensstemmelsesmærke



Læs venligst vejledningen grundigt igennem før maskinen tages i brug.



Elektriske affaldsprodukter bør ikke afskaffes sammen med husholdningsaffald. Genbrug venligst hvor faciliteterne tillader dette. Tjek med din lokale kommune eller forhandler for genbrugsråd.

SYMBOLER I BRUGSANVISNINGEN



Slut til strømforsyningen.



Kobl fra strømforsyningen.



Dele eller tilbehør, der sælges separat



Lås



Oplås



Bemærk

De følgende ikoner og betydninger er beregnet til at forklare risikoen involveret i at anvende denne enhed.

FARE

Indikerer en umiddelbart farlig situation, som - hvis den ikke afværges - vil medføre dødsfald eller alvorlig personskade.

ADVARSEL

Indikerer en potentielt farlig situation, som - hvis den ikke afværges - kan medføre dødsfald eller alvorlig personskade.

VÆR OPMÆRKSOM

Indikerer en potentielt farlig situation, som - hvis den ikke afværges - kan medføre mindre eller middelsvær personskade.

VÆR OPMÆRKSOM

(Uden sikkerhedssymbol) indikerer en situation som kan føre til skade af personlig ejendom.



Säkerhet, prestanda och tillförlitlighet har varit högsta prioritet vid utformningen av din cirkelsåg.

ANVÄNDNINGSMOMRÅDE

Cirkelsågen är endast avsett att användas av vuxna som har läst och förstått instruktionerna och varningarna i denna manual och vilka kan anses ansvariga för sina handlingar. Produkten är utformad för sågning i riktning med eller på tvären över träfibren eller liknande material med ett maximalt djup på 54 mm. Produkten kan utföra raka eller fasade skärningar mellan 0 och 45 grader. Den ska användas med verktygsbasen liggande mot arbetsstycket. Den får bara användas i torra, välbelysta och välventilerade utrymmen.

Produkten är utformad för bärbar användning. Produkten får inte monteras på en arbetsbänk, såvida inte tillverkaren av sågen har givit specifika anvisningar om hur detta ska göras. Såga inte i metall eller sten.

Använd inte produkten på något annat sätt än vad som är avsett. Användning av el-verktyget för andra områden än de avsedda kan resultera i en riskfylld situation.

⚠ VARNING

Läs uppmärksamt alla varningar, instruktioner och specifikationer som bifogas med detta verktyg och studera bilderna. Underlåtenhet att respektera dessa föreskrifter kan leda till olyckor som brand, elektriska stötar och/eller allvariga kroppsskador.

Behåll dessa varningar och anvisningar för framtida referens.

SÄKERHETSVARNINGAR FÖR CIRKELSÅG

KAPNINGSFÖRFARANDE

⚠ FARA

Håll händerna borta från bladet och arbetsområdet. Handen som inte håller i verktygets huvudhandtag ska antingen hålla i hjälphandtaget eller placeras på motorhuset. Det finns då ingen risk för att händerna befinner sig inom skärområdet, i sågklingans bana.

- **Sträck dig inte in under arbetsstycket.** på denna plats kan skyddskåpan inte skydda dig, för den täcker inte klingan.
- **Ställ in skärjupet beroende på arbetsstyckets tjocklek.** Tänderna på sågklingan får inte helt skjuta ut under arbetsstycket under sågningen.
- **Håll ALDRIG arbetsstycket med handen eller mellan benen.** Fäst det på ett stadigt underlag. Det är av största vikt att fästa arbetsstycket stadigt, för att undvika risker för kroppsskador och att inte böja sågklingan, för att inte förlora kontrollen över verktyget.
- **Håll endast elverktyget i de isolerade greppytorna vid en användning där sågverktyget kan komma i kontakt med dolda ledningar eller dess egen kabel.** Kontakt med strömförande kabel gör metalldelar på

verktyget strömförande och kan ge användaren en elektrisk stöt.

- **Använd alltid ett parallellanslag eller ett rakt städ då du utför ett parallellsnitt.** Skärprecisionen blir bättre och du undviker att böja sågklingan.
- **Använd alltid sågklingor vars storlek och form är anpassade till axelns fästhål.** Sågklingor som inte är anpassade till axeln på vilken de ska monteras roterar inte normalt och leder till att man förlorar kontrollen.
- **Använd aldrig defekta eller olämpliga skruvar eller flänsar för sågklingorna.** Flänsarna och skruvarna har konstruerats speciellt för din sågmodell, för optimal säkerhet och optimala prestanda.

ORSAKER TILL BAKSLAG OCH RELATERADE VARNINGAR:

- återstuds är en plötslig reaktion på ett fastklämt eller felinriktat sågblad, vilket orsakar en okontrollerad såg att lyftas upp och bort från arbetsstycket mot operatören;
- när bladet kläms fast för hårt i sågsnittets nedstängning, låser sig bladet och motorreaktionen driver enheten snabbt mot operatören;
- Om sågklingan vrids eller är felaktigt inställd, riskerar tänderna som finns på baksidan av den att sjunka in i träytan, vilket gör att sågklingan plötsligt kommer ut ur arbetsstycket i riktning mot användaren.

Ett bakslag är alltså resultatet av en felaktig användning av verktyget och/eller av felaktiga arbetsmetoder eller arbetsförhållanden. Det kan undvikas genom att vidta några försiktighetsåtgärder.

- **Håll stadigt i sågen med båda händerna och placera armarna så att de kan kontrollera ett eventuellt bakslag.** Stå på den ena sidan av sågen då du arbetar, aldrig i linje med sågklingan. Bakslaget slungar plötsligt sågen bakåt, men denna rörelse kan kontrolleras om användaren är förberedd på den.
- **Om sågklingan kilas fast eller om du måste avbryta arbetet av någon orsak, släpp strömbrytaren och håll sågen kvar i arbetsstycket ända tills sågklingan helt slutat att rotera. Försök aldrig att ta bort sågklingan från arbetsstycket, eller att dra sågklingan bakåt, samtidigt som klingan roterar; ett återkast kan ske.** Om sågklingan kilas fast, ta reda på orsaken och vidta nödvändiga åtgärder för att detta inte upprepas.
- **Innan du startar sågen för att fortsätta arbetet, ställ in sågklingan rätt i förhållande till sågspåret och kontrollera att tänderna inte rör vid arbetsstycket.** Om ett sågblad fastnar, kan det röra sig uppåt eller återstudsas från arbetsstycket när sågen startas om.
- **Kom ihåg att stöda långa arbetsstycken för att undvika att sågklingan kilas fast och för att begränsa riskerna för bakslag.** Långa arbetsstycken tenderar att böja sig under sin egen vikt. Du kan placera stöd på båda sidorna av arbetsstycket, nära skärinjen och vid änden av arbetsstycket.
- **Använd inte slöa eller skadade sågklingor.** Ovassa eller fel monterade sågklingor ger ett smalt sågspår som leder till en extrem friktion av sågklingan och till





större risker för vridning och bakslag.

- **Kontrollera innan du börjar arbeta att knapparna för inställning av skärdjup och lutning är stadigt låsta.** Om inställningarna av sågklingans läge ändras under arbetet kan sågklingan fastna och ett bakslag uppstå.
- **Var extra försiktig vid sågning i befintliga väggar eller andra dolda ytor.** Sågklingan kan stöta till dolda komponenter, vilket leder till bakslag.

NEDRE SKYDDETS FUNKTION

- **Kontrollera före varje användning att den nedre skyddskåpan täcker sågklingan korrekt. Använd inte sågen om den nedre skyddskåpan inte kan manövreras fritt och om den inte tillsluts ögonblickligen kring sågklingan. Fäst aldrig den nedre skyddskåpan i öppet läge.** Om sågen föll av misstag skulle den nedre skyddskåpan kunna vika sig. Lyft upp den nedre skyddskåpan med handtaget och kontrollera att den kan hanteras utan svårighet samt att den inte rör vid sågklingan eller någon annan del, oavsett den vinkel och det skärdjup som valts.
- **Kontrollera att den nedre skyddskåpan fjäder är i gott skick och fungerar normalt. Om skyddskåpan eller fjädern inte fungerar normalt, låt dem repareras eller bytas ut innan du använder sågen.** Det nedre skyddet kan hacka beroende på skadade delar, gummiavlagringar eller ansamling av skräp.
- **Det nedre skyddet kan dras in manuellt för specialskärning som instick och vinklar.** Lyft upp den nedre skyddskåpan med hjälp av handtaget. Släpp sedan den nedre skyddskåpan så fort sågklingan tränger in i arbetsstycket. Vid alla andra slag av snitt sätts den nedre skyddskåpan på plats automatiskt.
- **Kontrollera alltid att den nedre skyddskåpan täcker sågklingan väl innan du placerar sågen på en arbetsbänk eller på golvet.** Om sågklingan inte är korrekt täckt, kan den rotera av tröghetskraften och säga det som befinner sig i dess bana. Var medveten om att sågklingan fortsätter att rotera en stund efter att motorn stängts av.

SÄKERHETSINSTRUKTIONER FÖR SKÄRBLAD FÖR TRÄ

- Läs manualen och instruktionerna noggrant innan du använder sågbladet och det eldrivna verktyget.
- Det eldrivna verktyget måste vara i gott skick, spindeln deformations- och vibrationsfri.
- Använd inte sågen utan att skydden sitter på plats. Underhåll och sköt skydden så att de hålls i bra skick.
- Se till att operatören är väl förtrogen med hur det eldrivna verktyget fungerar samt dess säkerhetsanvisningar och inställning.
- Bär alltid skyddsglasögon och hörselskydd när du använder det eldrivna verktyget. Vi rekommenderar att du använder handskar och robusta, halkfria skor.
- Läs alltid bruksanvisningen innan ett tillbehör skall användas. Felaktig användning av ett tillbehör kan orsaka skador och ökar risken för olyckor.
- Använd endast klingor som specificerats i denna manual, enligt EN 847-1.

- Observera den maximala hastigheten som finns angiven på sågklingan. Kontrollera att hastigheten som anges på sågklingan är minst lika hög som den som anges på sågen.
- Använd alltid sågklingor vars storlek och form är anpassade till axelns fästhål. Sågklingor som inte är anpassade till axeln på vilken de ska monteras roterar inte normalt och leder till att man förlorar kontrollen.
- Använd inte klingor av större eller mindre diameter än vad som rekommenderas. Använd inte brickor för att få klingan att passa på tappen.
- Kontrollera spetsarna på sågbladet med avseende på skador och onormalt utseende innan du använder det. Skadade eller löst sittande spetsar kan bli flygande objekt när sågen används och ökar risken för personskador.
- Spruckna sågklingor eller sådana som förändrat form får ej användas! Använd inga sågblad som har tagit skada eller är defomererade.
- Du får aldrig reparera sågbladet om det är skadat, deformerat, förvridet eller sprucket - om det har skador ska det skrotas.
- Använd inte HSS-klingor.
- Säkerställ att klingan är korrekt monterad innan den används. Dra åt skruven på bladet ordentligt före användning (åtdragsmoment ca. 10-15 Nm).
- Fästskruvar och -muttrar ska dras åt med lämplig skruvnyckel.
- Extension av skruvnyckeln eller åtdragning med hjälp av hammarslag är inte tillåtet.
- Se till att alla klingor och glansar är rena och de ingröpta sidorna av kragen är vända mot klingan.
- Kontrollera att klingan roterar i rätt riktning.
- Före arbete bör du göra en provkapning utan motorn påslagen så att läget för bladet och skydden i förhållande till andra maskiner och arbeten kan kontrolleras.
- Lämna aldrig ett verktyg som är igång.
- Applicera en smörjmedel på bladet när det är igång.
- Utför aldrig rengöring eller underhållsarbete medan maskinen är igång och huvudet inte är i läge.
- Försök aldrig snabbstoppa ett eldrivet verktyg i drift genom att anbringa ett verktyg eller något annat mot bladet. Allvarliga olyckor kan inträffa på det viset.
- Koppla ur sågen från strömförsörjningen eller batteriet innan du byter blad eller utför underhåll.
- Hantera bladet med varsamhet vid upp- och nedpackning. Det är lätt att skära sig på de vassa bladspetsarna.
- Använd en hållare eller handskar när du handskas med sågklingan.

Förvara bladet i originalförpackningen eller annan lämplig förpackning. Förvara på en torr plats och på avstånd från kemikalier som kan skada skärbladet.





⚠ VARNING

- Använd ögon- och hörselskydd.
- Undvik överhettning av sågtänderna. Använd inte slöa eller skadade sågklingor. Använd inte kraft mot verktyget.
- Använd enbart rekommenderade sågblad.

YTTERLIGARE SÄKERHETSFÖRESKRIFTER

- Använd aldrig en slipskiva.
- Använd endast bladdiameter i enlighet med markeringarna.
- Identifiera korrekt sågblad att använda till materialet som ska skäras.
- Använd endast sågblad som är markerade med en hastighet som är lika eller högre än hastigheten som anges på verktyget.
- Använd endast sågblad som rekommenderas av tillverkaren, som överensstämmer med EN 847-1, om avsett för trä och analogt material.
- Använd dammskydd.
- Enbart för RCS1400: Spänningstopp ger spänningsvariationer och kan påverka andra elektrisk produkter anslutna till samma källa. Anslut produkten till en strömkälla med impedans $Z_{max} = 0,459 \Omega$ för att minimera svängningar.

LASER SÄKERHET (RCS1600)



- Strålningen från laserstrålen som används i sågen är av Klass 2 med maximalt $\leq 1\text{mW}$ och 650 nm våglängd. Titta inte rakt in i laserstrålen. Om inte riktlinjerna följs kan det leda till allvarlig personskada.



Det medföljer en klisteretikett på ditt språk och vi ber dig att sätta den på plats i stället för den engelska texten på varningsetiketten före första användning av maskinen.

- Titta inte in i laserstrålen under användning.
- Rikta inte laserstrålen direkt mot andra personers ögon. Allvarlig ögonskada kan uppstå.
- Placera inte lasern i ett läge där någon kan titta in i laserstrålen medvetet eller av misstag.
- Använd inga optiska instrument för att titta på laserstrålen.
- Använd inte lasern i närheten av barn och låt inte heller barn använda lasern.
- Försök inte att laga laserenheten själv.
- Försök inte själv utföra ändringar på laserapparaten.
- Reparationer får endast utföras av lasertillverkaren

eller en auktoriserad serviceagent.

- Byt inte ut lasern mot någon annan typ.

RESIDUALRISK

Även om produkten används enligt instruktionerna går det inte att eliminera alla eventuella riskfaktorer. Följande risker kan uppstå vid användning och operatören ska vara extra uppmärksam för att undvika följande:

- Skador orsakade av kickback
 - Läs och förstå informationen i denna manual.
- Skador orsakade av damm
 - Damm kan komma in i ögon eller andningsvägarna. Använd alltid lämpligt ögonskydd. Bär lämplig dammskyddsmask med filter som är lämpliga för att skydda mot partiklar från materialet som skärs. Ät, drick eller rök inte på arbetsområdet. Sörj för bra ventilation.

- Skador orsakade av elektrisk stöt
 - Bladet kan komma i kontakt med aktiva kablar så att delar av produkten blir strömförande. Håll produkten i avsedda grepp och var noga vid sågning i väggar och golv där det kan finnas dolda kablar.

NOTERA: Vid arbete i väggar, golv eller tak ska du vara noga med att undvika el-, gas- och vattenledningar.

- Skador orsakade av kontakt med bladet
 - Bladen är mycket vassa och blir heta under användning. Använd handskar vid byte av blad. Håll alltid händerna på säkert avstånd från sågområdet. Håll ALDRIG arbetsstycket med handen eller mellan benen. Kläm alltid fast arbetsstycket om så är möjligt.
- Skador orsakad av vibrationer
 - Begränsa exponeringen. Se "Riskreducering".

RISKMINSKNING

Det finns rapporter om att vibrationer från handhållna produkter kan bidra till ett tillstånd som kallas Raynauds syndrom för vissa personer. Symptomen brukar vara att det sticker i fingrarna och att de domnar bort; fingrarna kan också bli vita, särskilt vid kyla. Årftliga faktorer, kyla och fukt, diet, rökning och arbetsrutiner tros alla bidra till att orsaka dessa symptom. Det finns förebyggande åtgärder som du kan vidta för att försöka minska vibrationernas påverkan:

- Håll dig varm när du arbetar i kallt väder. Använd handskar för att hålla kvar värmen i händer och handleder. Kyla har rapporterats som en viktig del i utvecklandet av Raynauds syndrom.
- Träna och rör på dig efter varje användningstillfälle för att öka blodcirkulationen.
- Ta ofta pauser från arbetet. Begränsa tiden du utsätter dig varje dag.

Upphör omedelbart om du upplever några av dessa symptom och uppsök din läkare.

EN
FR
DE
ES
NL
PT
DA
SV
FI
NO
RU
PL
CS
HU
RO
LV
LT
ET
HR
SL
SK
BG
UK
TR
EL



⚠ VARNING

Risk för person- eller slitageskador vid användning av verktyget under lång tid. Om verktyget används under längre perioder krävs regelbundna pauser.

LÄR KÄNNA DIN PRODUKT

Se sidan 135.

1. Avtryckare
2. Knapp för upplåsning av gasreglaget
3. Övre skyddskåpa
4. Dammportadapter
5. Inställningsspak till den nedre skyddskåpan
6. Bladskruv
7. Nedre skyddskåpa
8. Handtag, isolerad greppyta
9. Vinkelskala (Angle scale)
10. Vinkelskala, lås (Angle scale lock)
11. Rip-styrskena, lås (Rip guide lock)
12. Bottenplatta
13. Laserhuvud (RCS1600)
14. Sägklinga
15. Servicenöckel
16. Klyvguide

UNDERHÅLL

⚠ VARNING

Produkten får aldrig anslutas till strömkälla under montering, justeringar, rengöring, underhåll eller när produkten inte används. Att koppla bort produkten från strömförsörjningen förhindrar oavsiktlig start som kan orsaka allvarliga olycksfall.

⚠ VARNING

Under servicearbete ska enbart tillverkarens originaldelar och -tillbehör användas. Användning av andra delar kan orsaka fara eller produktskada.

⚠ VARNING

Låt aldrig bromsvätska, bensin, petroleumbaserade produkter, penetrerande oljor och liknande komma i kontakt med plastdelar. Dessa kemiska produkter innehåller ämnen som kan skada, försvaga eller förstöra plasten, vilket kunde försorsaka allvarliga kroppsskador.

- Undvik att använda lösningsmedel vid rengöring av plastdelar. Flertalet plaster kan skadas vid användning av vissa lösningsmedel som säljs i affärerna. Använd en ren tygtrasa för att torka bort smuts, damm, osv.
- Koppla alltid bort verktyget från eluttaget innan du sätter dit eller tar bort sågklingan. Rengör produkten och skyddssystemet med rena dukar.
- Använd alltid skyddsglasögon när du använder verktyget eller när du blåser damm. Använd en ansiktsmask om det dammar mycket.

- För att minska risken får en skadad strömsladd endast repareras av tillverkaren eller ett auktoriserat servicecenter. Kontakta auktoriserat servicecenter.
- För säkerhet och pålitlighet ska alla reparationer utföras av auktoriserat RYOBI reparationscenter.

SMÖRJNING

Alla lager i produkten har smorts med tillräcklig mängd högklassig smörjmedel för produktens livslängd under normala driftförhållanden. Därför behövs ingen ytterligare smörjning.

MILJÖSKYDD



Råmaterialen ska återvinnas i stället för att kastas i hushållsavfallet. För att skona miljön ska verktyget, tillbehören och emballagen sorteras.

SYMBOLER PÅ PRODUKTEN



Säkerhetsvarning

V

Volt

Hz

Hertz

~

Växelström

W

Watt

n_o

Tomgångshastighet

min⁻¹

Antal varv eller rörelser per minut



Klass II, dubbelisolerad



Trä



Såga inte i produkter av metall



Bär hörselskydd.



Använd skyddsglasögon



Laserstrålning.
Titta inte direkt mot strålen.
Laserprodukt av Klass 2
λ: 650nm; P≤1mW
EN 60825-1:2014



Fara! Vass klinga.



Skydda mot regn



Skärbredd



Sågtand



CE-överensstämmelse



EurAsian överensstämmelsesymbol



Ukrainskt märke för överensstämmelse



Läs instruktionerna ordentligt innan start av maskinen.



Gamla elektroniska produkter ska inte kastas med hushållssoporna. Återvinn där sådana faciliteter finns. Kontrollera med din lokala myndighet eller säljaren för att få återvinningstips.

SYMBOLER I MANUALEN



Anslut till eluttag.



Koppla bort från eluttag.



Delar och utrustning säljs separat



Lås



Lås upp



Notera

Följande signalord och betydelser är tänkta att förklara de olika risknivåerna som är associerade med denna produkt.

⚠ FARA

Visar på en direkt riskfylld situation som, om den inte undviks, kan orsaka dödsfall eller allvarlig personskada.

⚠ VARNING

Visar på en potentiellt riskfylld situation som, om den inte undviks, kan orsaka dödsfall eller allvarlig personskada.

⚠ FÖRSIKTIGHET

Visar på en potentiellt riskfylld situation som, om den inte undviks, kan orsaka mindre eller måttlig personskada.

FÖRSIKTIGHET

(Utan säkerhetssymbolen) Indikerar en situation som kan leda till egendomsskada.

Pyörösahan suunnittelussa on kiinnitetty erityistä huomiota turvallisuuteen, suorituskykyyn ja käyttövarmuuteen.

KÄYTTÖTARKOITUS

Pyörösahaa saavat käyttää vain aikuiset, jotka ovat lukeneet tässä käyttöohjeessa olevat ohjeet ja varoitukset ja ymmärtävät niiden sisällön ja joiden voidaan katsoa olevan vastuussa omista teoistaan.

Tuote on suunniteltu enintään 54 mm syvän puun tai vastaavan materiaalin poikkileikkuuseen. Tuotteella voidaan tehdä suoria tai viistoleikkauksia asteissa 0–45. Sahaa saa käyttää vain siten, että työkalun alaosa on kosketuksessa työkappaleeseen. Laitetta saa käyttää vain kuivassa, hyvin valaistussa ja hyvin tuuletetussa tilassa.

Kone on suunniteltu käsin pideltäväksi. Koneetta ei saa asentaa työpenkkiin ilman sahan valmistajalta saatuja ohjeita siitä, kuinka asentaminen tehdään. Älä käytä metallin tai kiven leikkaamiseen.

Älä käytä tätä tuotetta millään muulla tavalla kuin mihin sen on tarkoitettu. Sähkötyökalun käyttö muuhun kuin sille tarkoitettuun työhön voi aiheuttaa vaarallisia tilanteita.

VAROITUS

Lue tarkkaavaisesti kaikki tämän työkalun kanssa toimitetut varoitukset, ohjeet ja spesifikaatiot, ja katso lisäksi kuvat. Seuraavassa esitettyjen ohjeiden laiminlyönnistä saattaa olla seurauksena onnettomuuksia kuten tulipalot, sähköiskut ja/tai vakavia kehon vammoja.

Säästä kaikki varoitukset ja ohjeet tulevaa käyttöä varten.

PYÖRÖSAHAA KOSKEVAT TURVAVAROITUKSET

KATKAISEMINEN

VAARA

Älä kosketa leikkuualueetta tai terää. Käsi, joka ei ole työkalun peruskahvalla on pidettävä lisäkahvalla tai asetettava moottorin suojukselle. Näin kädet eivät pääse leikkuualueelle, terän kulkureitille.

- **Älä kurota työkappaleen alle.** Teränsuojus ei voi tällöin suojata käsiä, koska se ei peitä terää.
- **Sovita sahausvyvyys työkappaleen paksuuden mukaisesti.** Terän hampaisto ei saa tulla kokonaan työkappaleen yli leikkauksen aikana.
- **Älä KOSKAAN pidä työkappaletta käsin tai reisien välissä.** Kiinnitä se tukevalle kannattimelle. Työkappale on ehdottomasti kiinnitettävä oikein loukkaantumisvaaran ehkäisemiseksi ja ettei terä pääsisä taipumaan, jolloin vaarana on työkalun hallinnan menettäminen.
- **Pitele sähkötyökalua vain eristetyistä tarttumapinnoista, kun käytät sitä olosuhteissa, joissa leikkuutyökalu saattaa osua piilossa oleviin johdoin tai omaan johtoonsa.** Jos sähkötyökalu

koskettaa sähköistettyä johtoa, työkalun metalliosat voivat sähköistyä ja aiheuttaa käyttäjälle sähköiskun.

- **Kun teet halkaisua, käytä aina rinnakaista leikkuuohjainta tai suoraa reunalistaa.** Leikkuutullos paranee ja terä ei pääse taipumaan.
- **Käytä aina akselille sopivia teräkokoja ja -muotoja.** Akselille sopimattomat terät eivät pyöri oikealla tavalla ja voivat aiheuttaa työkalun hallinnan menettämisen.
- **Älä koskaan käytä viallisia tai sopimattomia terän ruuveja ja laippoja.** Terän laipat ja ruuvit on suunniteltu kyseessä olevalle sahamallille optimaalisen turvallisuuden ja tehokkuuden takaamiseksi.

TAKAPOTKU JA SIIHEN LIITTYVÄT VAROITUKSET:

- takaisku on äkillinen reaktio, joka johtuu puristuksiin joutuneesta, jumittuneesta tai epäkohdistuneesta sahanterästä, ja se saa aikaan sahan hallitsemattoman nousun pois työkappaleesta käyttäjää kohden;
- jos terä puristuu tai jumittuu tiukasti sahausraon sulkeutuessa, terä pysähtyy ja moottorin toiminta tuo yksikön nopeasti takaisin käyttäjää kohden;
- Jos terä vääntyy tai on huonosti linjattu, terän takahampaisto voi uppoutua puun pintaan, jonka seurauksena terä irtaantuu äkkiä työstettävästä kappaleesta käyttäjää kohti.

Takaisku aiheutuu siis työkalun huonosta käytöstä ja/ tai vääristä sahausmenetelmistä tai -olosuhteista. Tämä voidaan ehkäistä varokeinoja noudattamalla.

- **Pidä sahasta tukevasti kaksin käsin ja käsivarret niin, että voit hallita mahdollisen takaiskun.** Asetu sahan jommallekummalle puolelle, älä koskaan asetu terää vastapäätä. Takaisku sinkoa sahan äkkikipikaisesti taaksepäin. Tätä liikettä voidaan kuitenkin hallita, jos käyttäjä on siihen varautunut.
- **Jos terä juuttuu tai joudut jostain syystä keskeyttämään sahauskeskeytyksen, vapauta liipaisin ja pidä sahaa työkappaleella kunnes terä lakkaa kokonaan pyörimästä. Älä koskaan yritä irrottaa sahaa työkappaleesta tai vedä sahaa taaksepäin terän pyöriessä, muutoin voit aiheuttaa takapotkun.** Jos terä juuttuu, etsi syy ja noudata tarvittavia toimia, ettei näin pääse tapahtumaan uudelleen.
- **Ennen kuin käynnistät sahan työn jatkamiseksi, linjaa terä oikein leikkuuviivalle ja tarkasta, ettei hampaisto kosketa työkappaleeseen.** Jos sahanterä jumiuuu, se voi nousta tai iskeytyä taaksepäin työkappaleesta, kun saha käynnistetään uudelleen.
- **Kannata pitkiä kappaleita, ettei terä pääse tarttumaan, jolloin vältät takaiskuvaaran.** Pitkillä työkappaleilla on taipumusta keinua oman painovoiman johdosta. Voit asettaa kannattimia työkappaleen molemmille puolille, lähelle leikkuuviivaa ja kappaleen päätyä.
- **Älä käytä tylsyleneitä tai viallisia teriä.** Tylsät tai huonosti asennetut terät tekevät ohuen jäljen, aiheuttaen liiallista kitkaa, jonka seurauksena on suurempi vääntymis- ja takaiskuvaara.
- **Tarkasta ennen sahauskeskeytyksen aloitusta, että sahausvyvyden ja kaltevuuden säätönäpit ovat oikein lukittuina.** Jos terän asentossäädöt muuttuvat

sahausten aikana, on vaarana terän tarttuminen ja takaiskun ilmaantuminen.

- **Ole erittäin varovainen sahatessasi olemassa oleviin seinämiin tai muihin sokeisiin kohtiin niiden keskeltä alkavaa leikkausta.** Terä voi osua piilossa oleviin esteisiin, mikä aiheuttaa takaiskun.

ALASUOJUKSEN TOIMINTA

- **Tarkasta aina ennen käyttöä, että alempi teränsuojaus peittää terän oikein. Älä käytä sahaa, jos alempaa teränsuojasta ei voida käyttää vapaasti ja jos se ei käänny heti terälle. Älä koskaan lukitse tai kiinnitä alempaa teränsuojasta "auki" asentoon.** Jos saha putoaa epähuomiossa, alempi teränsuojaus voi taipua. Nosta alempaa teränsuojasta vivulla ja varmista, että sitä voidaan käyttää vaivattomasti ja ettei se kosketa terään eikä muihin osiin missään sahauskulmassa ja -syvytydessä.
- **Varmista, että alemman teränsuojuksen jousi on hyväkuntoinen ja toimii oikein. Jos teränsuojaus tai jousi ei toimi oikein, korjauta tai vaihda ne ennen sahan käyttöä.** Alasuoja voi toimia hitaasti vioittumisen, tahmeiden jäämien ja roskakeräymien takia.
- **Alasuoja voidaan vetää sisään manuaalisesti ainoastaan erikoistapauksessa, kuten tehtäessä uppo- tai yhdistelmäleikkauksia.** Nosta alempaa teränsuojasta sen käyttövivusta. Vapauta sitten alempi teränsuojaus heti, kun terä uppoutuu työkappaleeseen. Alempi teränsuojaus asettuu automaattisesti paikalleen kaikissa muissa sahaustavoissa.
- **Varmista, että alempi teränsuojaus peittää terän hyvin aina ennen, kuin asetat sahan työpöydälle tai maahan.** Jos terä ei peity hyvin, se voi pyöriä inertiaivoimalla ja leikata kaiken kulkureitillä olevan. Ole tietoinen siitä, että terä jatkaa pyörimistä vielä hetken aikaa moottorin sammutuksen jälkeen.

PUUNKATKAISUTERÄN KÄYTTÖÄ KOSKEVAT TURVAOHJEET

- Perekdy huolellisesti käyttöoppaan ja ohjeiden sisältöön, ennen kuin alat käyttää sahanterää ja sähkötyökalua
- Sähkötyökalun on oltava hyvässä kunnossa ja karan on oltava suora ja täristämätön.
- Älä käytä sahaa, elleivät kaikki suojukset ole paikoillaan. Pidä suojukset hyvässä kunnossa ja huolla niitä asianmukaisesti.
- Varmista, että käyttäjä on saanut perehdytyksen sähkötyökalun käyttöön ja säätöön ja että hän on saanut laitteen turvakoulutuksen.
- Pidä aina suojalaseja ja kuulosuojaimia, kun käytät sähkötyökalua. On suositeltavaa käyttää käsineitä ja tukevia, luistamattomia kenkiä.
- Tutustu käyttöoppaaseen ennen lisälaitteiden käyttöä. Lisälaitteen väärä käyttötapa voi johtaa vahinkoon ja mahdolliseen henkilövammaan.
- Käytä ainoastaan tämän käyttöoppaan mukaisia teriä, jotka noudattavat EN 847-1 -standardia.
- Noudata terään merkittyä maksiminopeutta. Varmista, että sahanterään merkitty nopeus on vähintään yhtä

suuri kuin sahaan merkitty nopeus.

- Käytä aina akselille sopivia teräkokoja ja -muotoja. Akselille sopimattomat terät eivät pyöri oikealla tavalla ja voivat aiheuttaa työkalun hallinnan menettämisen.
- Älä käytä suositeltua suurempia tai pienempiä teriä. Älä käytä välielvyjä sovittaessasi terää karaan.
- Aina ennen käytön alkamista tarkista, näkyvykö sahanterän kärjissä vaurioita tai epäsäännöllistä kuluneisuutta. Vaurioituneet ja löystyneet kärjet voivat sinkoutua hallitsemattomasti ympäristöön ja aiheuttaa henkilövammoja.
- Rikkinäisiä sahanterä tai sellaisia, jotka ovat muuttaneet muotoaan ei saa käyttää! Älä käytä sahanterä, jotka ovat vahingoittuneet tai vääntyneet.
- Hävitä sahanterä, joka on vaurioitunut, vääntynyt, kiero tai murtunut. Terän korjaaminen ei ole sallittua.
- Älä käytä pikateräksisiä teriä.
- Tarkista ennen käyttöä, että sahanterä on asennettu oikein. Ennen käytön alkamista kiristä terän kiinnitysruuvi huolellisesti (kiristysmomentti on noin 10-15 Nm).
- Kiinnitysruuvi ja mutterit on kiristettävä siihen tarkoitetulla kiinnitystyökalulla.
- Kiinnitystyökalun jatkaminen tai varasan iskuilla tehty kiristys ei ole sallittua.
- Varmista, että terä ja laipat ovat puhtaat ja että holkin uralliset sivut ovat terää vasten.
- Tarkista, että terä pyörii oikeaan suuntaan.
- Tee ennen työn aloittamista koeleikkaus moottori päällä, jotta voit tarkistaa terän sijainnin ja suojien toiminnan laitteen osiin ja työkappaleeseen nähden.
- Älä koskaan jätä käynnissä olevaa laitetta vartioimatta.
- Älä voitele terää sen pyöriessä.
- Älä koskaan puhdista tai huolla konetta sen käydessä ja pään ollessa poissa lepoasennosta.
- Älä koskaan yritä pysäyttää liikkeessä olevaa sähkötyökalua nopeasti painamalla työkalulla tai muulla väineellä vasten pyörivää terää. Tällainen menettely voi johtaa vakaviin onnettomuuksiin.
- Kytke saha irti verkkovirrasta tai irrota sen akku, ennen kuin alat vaihtaa teriä tai tehdä laitteen kunnossapitotöitä.
- Käsittele terää varoen pakatessasi sitä tai purkaessasi sitä pakkauksesta. Terän terävät kärjet aiheuttavat helposti vammoja.
- Käytä sahanterää käsitellessäsi telinettä tai käsineitä.
- Pidä ja säilytä terä sen alkuperäispakkauksessa tai muussa sopivassa pakkauksessa. Säilytä kuivissa tiloissa ja etäällä kemikaaleista, jotka voivat vahingoittaa terää.

VAROITUS

- Käytä näkö- ja kuulosuojauksia.
- Älä anna terän kärkien ylikuumeta. Älä käytä tylsyneitä tai viallisia teriä. Älä pakota laitetta.
- Käytä ainoastaan suositeltuja sahanterä.



MUITA TURVALLISUUSVAROITUKSIA

- Älä koskaan käytä hiomalaikkaa.
- Käytä ainoastaan merkintöjen mukaista terän läpimittaa.
- Valitse käytettävä sahanterä leikattavan materiaalin mukaan.
- Käytä ainoastaan terää, johon on merkitty sama tai suurempi nopeus kuin työkalussa.
- Käytä ainoastaan valmistajan suosittelemia ja EN 847-1 -standardia vastaavia sahanteräiä, jos niitä on tarkoitus käyttää puulle ja vastaaville materiaaleille.
- Käytä pölynaamaria.
- Vain RCS1400: Virtapiikki aiheuttaa jännitteen heilahtelua ja voi vaikuttaa muihin samaan syöttöverkkoon kytkettyihin tuotteisiin. Minimoidaksesi jänniteheilahtelun kytke tuote pistorasiaan, jonka impedanssi on $Z_{max}=0.459 \Omega$.

LASERIN TURVALLISUUSOHJEET (RCS1600)



- Sahan laserohjaimen säteily on luikkaa 2, enimmäisteho $\leq 1mW$ ja aallonpituus 650 nm. Älä katso lasersädettä suoraan. Säätöjen laiminlyönti voi johtaa vakavaan loukkaantumiseen.



- Olemme lähettäneet sinulle tarran sinun kielelläsi ja pyydämme nyt, että liimaat sen englanninkielisen varoitustarran tilalle ennen koneen ensimmäistä käyttöä.

- Älä katso sädettä käytön aikana.
- Älä suuntaa lasersädettä suoraan muiden silmiin. Tästä voisi koitua vakava silmävamma.
- Älä aseta laseria siten, että kukaan voisi katsoa lasersädettä tahallaan tai vahingossa.
- Älä katso lasersädettä optisilla laitteilla.
- Älä käytä laseria lasten lähellä äläkä anna lasten käyttää sitä.
- Älä yritä korjata laserlaitetta itse.
- Älä yritä vaihtaa mitään laserilaitteen osia itse.
- Korjaustyöt on aina jätettävä laserin valmistajan tai valtuutetun huoltomiehen tehtäväksi.
- Älä vaihda laseria toisen tyyppiseen.

KÄYTÖN RISKIT

Vaikka tuotetta käytettäisiin ohjeiden mukaisesti, ei ole mahdollista täysin eliminoida tiettyjä käyttöön liittyviä riskitekijöitä. Käytössä voi aiheutua seuraavia vaaroja, ja käyttäjän tulee kiinnittää erityistä huomiota niiden välttämiseen:

- Takapotkun aiheuttama vamma
 - Perehdy tämän käyttöohjeen sisältöön huolellisesti.
- Pölyn aiheuttama vamma
 - Pölyä voi päästä silmiin tai hengitysteihin. Käytä aina suojalaseja. Käytä asianmukaista pölymaskia, jonka suodatin suojaa leikattavasta materiaalista irtaavilta pölyhiukkasilta. Älä syö, juo tai tupakoi työalueella. Huolehdi riittävästä tuuletuksesta.
- Sähköiskun aiheuttama vamma.
 - Terä saattaa osua piilossa oleviin johtoihin, jolloin tuotteen osat sähköistyvät. Pitele tuotetta aina kahvoista ja ole varovainen leikatessasi seiniä tai lattioita, joissa saattaa olla sähköjohtoja.
- HUOM: Kun käsittelet seiniä, kattoja tai lattioita, varo osumasta sähköjohtoihin ja kaasu- tai vesiputkiin.
- Terän koskettamisesta aiheutunut vamma
 - Terät ovat hyvin teräviä ja kuumenevat käytössä. Käytä käsineitä vaihtaessasi teriä. Pidä kädet aina poissa leikkuualueelta. Älä KOSKAAN pidä työkalua käsin tai reisien välissä. Kiinnitä työkalupalle puristimilla aina kun mahdollista.
- Tärinän aiheuttama vamma
 - Vältä altistumista. Katso kohta Riskien Vähentäminen.

RISKIEN VÄHENTÄMINEN

Raporttien mukaan käsityökalujen tärinä voi joidenkin kohdalla myötävaikuttaa Raynaudin oireen ilmenemiseen. Oireita ovat pistely, turtuus ja sormien kalpeneminen, yleensä kylmässä ilmassa. Perinnölliset tekijät, kylmyys ja kosteus, ruokavalio, tupakointi sekä työtavat voivat kaikki myötävaikuttaa näiden oireiden ilmenemiseen. Käyttäjä voi ehkäistä tärinän aiheuttamia vaikutuksia seuraavasti:

- Pidä itsesi lämpimänä kylmällä säällä. Käytä laitteen käytön aikana käsineitä, jotta kätesi ja ranteesi pysyvät lämpöisinä. Raporttien mukaan kylmä ilma on tärkeä tekijä Raynaud's Syndromen (Raunaudin oireiden) ilmenemisessä.
- Harjoita kunkin käyttöjakson jälkeen liikuntaa, jotta verenkierto lisääntyy.
- Pidä työn aikana säännöllisesti taukoja. Rajoita päivittäisen tärinän määrää.

Jos mitään yllä mainittuja oireita ilmenee, lopeta heti laitteen käyttö ja kerro oireista lääkärille.

VAROITUS

Laitteen pitkittynyt käyttö voi aiheuttaa tai vaikeuttaa vammoja. Kun käytät mitä tahansa laitetta pitkiä aikoja, muista pitää säännöllisiä taukoja.

TUNNE TUOTTEESI

Katso sivu 135.

1. Liipaisin
2. Liipaisimen lukinnan vapautusnappi
3. Ylempi teränsuojus
4. Pölyaukon sovitin
5. Alemman teränsuojuksen käyttövipu



6. Teräpultti
7. Alempi teränsuojus
8. Kahva, eristetty tartuntapinta
9. Jiirikulman asteikko
10. Jiirikulman salpa
11. Sivuohjaimen salpa
12. Pohja
13. Laserpää (RCS1600)
14. Terä
15. Säästöavain
16. Ohjauslaite

HUOLTO

VAROITUS

Tuotetta ei tule koskaan kytkeä pistorasiaan osia koottaessa, säätöjä tehtäessä, puhdistettaessa, huollon aikana tai kun tuotetta ei aiota käyttää. Laitteen irrottaminen virtalähteestä estää vahingossa tapahtuvan käynnistymisen, mikä voi aiheuttaa vakavan loukkaantumisen.

VAROITUS

Käytä huollossa ainoastaan alkuperäisiä valmistajan tuottamia varaosia, lisälaitteita ja lisävarusteita. Muunlaisten osien käyttö voi aiheuttaa vaaran tai vioittaa laitetta.

VAROITUS

Älä koskaan päästä jarrunesteitä, bensiiniä, öljytuotteita, läpääseviä öljyjä tms. kosketuksiin muoviosien kanssa. Nämä kemialliset tuotteet sisältävät aineita, jotka voivat vaurioittaa, heikentää tai tuhota muovin minkä seurauksena voi aiheutua vakavia ruumiinvammoja.

- Älä puhdista muoviosia liuottimilla. Suurin osa muoveista ei siedä markkinoilla olevia määrättyjä liuotteita, jotka vahingoittavat niitä. Käytä puhdasta riepua lian, pölyn jne. puhdistukseen.
- Muista irrottaa laite virtalähteestä, ennen kuin kiinnität tai irrotat sahanterän. Puhdista tuote ja suojajärjestelmä puhtaalla kankaalla.
- Käytä aina sähkölaitetta käyttäessäsi tai pölyä puhaltaessasi suojalaseja, joissa on sivusuojaimet. Käytä lisäksi pölynaamaria, jos työ on pölyistä.
- Jos virtajohto vioittuu, se on vaihdettava valmistajalta tai sen edustajalta saatavaan erikoisjohtoon tai kokoonpanoon.
- Jotta laite toimisi turvallisesti ja luotettavasti, kaikki korjaukset tulee antaa valtuutetun huoltopisteen hoitettavaksi.

VOITELU

Tuotteen laitteen laakerit on voideltu laitteen eliniäksi normaaliolosuhteissa riittävällä määrällä korkealaatuista voiteluainetta. Tästä syystä työkalu ei kaipaa lisävoitelua.

YMPÄRISTÖNSUOJELU



Älä hävitä raaka-aineita jätteinä vaan vie ne kierrätykseen. Ympäristönsuojelun kannalta työkalu, lisäksi r uusteet ja pakkausmateriaali on lajiteltava.

TUOTTEESSA OLEVAT SYMBOLIT



Turvallisuusvaroitus

V

Voltti

Hz

Hertz

~

Vaihtovirta

W

Watti

n₀

Tyhjäkäyntinopeus

min⁻¹

Kierrosten tai liikkeiden määrä minuutissa



Luokka II, kaksoiseristetty



Puu



Älä leikkaa metallia



Käytä kuulosuojaimia



Käytä suojalaseja



Laser-säteilyä.
Älä katso sädettä.
luokan laser-tuote
λ: 650nm; P≤1mW
EN 60825-1:2014



Vaara! Terävä terä.



Älä jätä sateeseen



Leikkauksen leveys



Terän hampaat



Todistus CE-sääntöjen noudattamisesta



EurAsian-vaatimustenmukaisuusmerkki



Ukrainalainen
säädöstenmukaisuusmerkintä

001



Lue ohjeet huolellisesti ennen laitteen käynnistämistä.



Käytöstä poistettavia sähkölaitteita ei pidä hävittää talousjätteiden mukana. Ne on mahdollisuuksien mukaan pantava kiertoon. Kierrätysohjeita antavat kunnan viranomaiset ja vähittäiskauppiat.

KÄSIKIRJAN SYMBOLIT



Kytke virtalähteeseen.



Irrota virtalähteestä.



Osat ja lisävarusteet on hankittava erikseen



Lukko



Avaa



Huom

Seuraavat signaalisanat ja merkitykset on tarkoitettu selittämään tähän tuotteeseen liittyviä riskin tasoja.

VAARA

Ilmoittaa välittömästä vaaratilanteesta, joka saattaa aiheuttaa kuoleman tai vakavan vamman.

VAROITUS

Ilmoittaa mahdollisesta vaaratilanteesta, joka saattaa aiheuttaa kuoleman tai vakavan vamman.

VAROITUS

Ilmoittaa mahdollisesta vaaratilanteesta, joka saattaa aiheuttaa pienen tai kohtalaisen vamman.

VAROITUS

(Ilman varoitusmerkkiä) Tilanne, joka voi aiheuttaa materiaalista vahinkoa.



Sikkerhet, ytelse og pålitelighet har hatt topp prioritet under konstruksjonen av denne sirkelsagen.

TILTENKT BRUK

Den skal bare brukes av voksne som har lest og forstått instruksjonene og advarslene i denne håndboken, og som kan anses som ansvarlige for sine handlinger.

Produktet er utformet for lengde- og tverrkapping av tre eller lignende materialer til en maksimal dybde på 54 mm. Produktet kan foreta rette eller avfasede kutt mellom 0 og 45 grader. Den skal brukes slik at nedre kant av verktøyet er i kontakt med arbeidsstykket. Den skal bare brukes på et tørt og godt opplyst område med god ventilasjon.

Produktet er designet for håndholdt bruk. Produktet skal ikke monteres på en arbeidsbenk, med mindre det gis spesifikke instruksjoner fra sagprodusenten om hvordan dette gjøres. Ikke bruk for skjæring av metall eller mur.

Ikke bruk produktet på noe annen måte enn det som er beskrevet som tiltenkt bruk. Bruk av elektrisk verktøy på en måte det ikke var tiltenkt kan skape farlige situasjoner.

⚠ ADVARSEL

Les nøye gjennom alle advarslene, instruksene og spesifikasjonene som følger med verktøyet, og se på tegningene. Hvis forskriftene nedenfor ikke overholdes, kan det forårsake ulykker som brann, elektrisk støt og/eller alvorlige personskader.

Ta vare på alle advarsler og anvisninger for senere bruk.

SIKKERHETSADVARSLER VED BRUK AV SIKKELSAG

SAGEPROSEDYRER

⚠ FARE

Hold hendene vekke fra skjæreområdet og skjærebladet. Hånden som ikke holder verktøyet hovedhåndtak skal holde støttehåndtaket eller ligge på motorhuset. Dermed risikerer ikke hendene dine å ligge i sageområdet, i bladets sagspor.

- **Ikke berør området under arbeidsstykket.** Der kan ikke bladbeskytteren beskytte deg, da det ikke dekker bladet.
- **Still inn sagedybden alt etter arbeidsstykkets tykkelse.** Bladets tenner skal ikke stikke helt ut under arbeidsstykket under sagingen.
- **Hold ALDRI arbeidsstykket med hånden din eller mellom bena.** Fest det på et stabilt underlag. Det er veldig viktig å feste arbeidsstykket riktig slik at du ikke utsetter deg selv for personskader og ikke å bøye bladet eller miste kontroll over verktøyet.
- **Hold bare i de isolerte gripeoverflatene når du utfører operasjoner med elektroverktøyet der skjæreverktøyet kan komme i kontakt med skjulte kabler eller sin egen ledning.** Kontakt med

en strømførende ledning vil også gjøre de synlige metalldelene på verktøyet strømførende og gi brukeren elektrisk støt.

- **Bruk alltid et parallellanslag eller et rett trestykke når du kløyver.** Sagingen blir mer presis og du unngår å bøye bladet.
- **Bruk alltid et blad som har en størrelse og en form som passer til spindelens diameter.** Et blad som ikke passer til spindelen som det skal monteres på vil ikke gå rundt riktig og kan få deg til å miste kontroll over verktøyet.
- **Bruk aldri skruer eller bladskiver som er defekte eller uegnet.** Bladskiver og skruer er spesiallaget til din sagmodell, for optimal sikkerhet og ytelse.

ÅRSAKER TIL TILBAKESLAG OG TILHØRENDE ADVARSLER:

- Rekyll er en plutselig reaksjon på et klemt, fastkjørt eller feiljustert sagblad, som forårsaker at et ukontrollert sagblad løftes opp og ut av arbeidsstykket og mot operatøren.
- Når bladet er klemt eller godt fastkjørt med lukningen ned, stopper bladet, og motorreaksjonen driver enheten hurtig tilbake mot operatøren.
- Hvis bladet vris eller er dårlig stilt, kan tennene på baksiden av bladet trenge inn i treverket, noe som kan få bladet til å gå plutselig ut av arbeidsstykket mot brukeren.

Tilbakekast er altså forårsaket av gal bruk av verktøyet og/eller gale sageprosedyrer eller –forhold. Det kan unngås ved å ta visse forholdsregler.

- **Hold sagen godt med begge hender og legg armene dine slik at de kan kontrollere et eventuelt tilbakekast. Stå på den ene siden av sagen når du arbeider, men aldri i linje med bladet.** Tilbakekast slynger plutselig sagen bakover, men denne bevegelsen kan kontrolleres hvis brukeren er forberedt.
- **Hvis bladet klemmes fast, eller hvis du av en eller annen grunn må avbryte sagingen, må du slippe av/ på bryteren og holde sagen i arbeidsstykket helt til bladet har sluttet å rotere. Forsøk aldri å fjerne arbeidsstykket fra sagen eller trekke det bakover mens sagbladet fortsatt er i bevegelse idet dette kan føre til at sagbladet hogger i arbeidsstykket.** Hvis bladet står fast, må du forsøke å finne årsaken og ta nødvendige foranstaltninger for at det ikke skal skje igjen.
- **Før du starter sagen igjen for å fortsette med et sagsnitt, må du stille bladet i linje med sagsporet og sjekke at tennene ikke rører arbeidsstykket.** Hvis et sagblad binder, kan det gå opp eller hoppe tilbake fra arbeidsstykket når sagen startes på nytt.
- **Sørg for å støtte lange arbeidsstykker for å unngå at bladet låses fast og begrense faren for tilbakekast.** Lange arbeidsstykker har lett for å bøyes under sin egne vekt. Du kan plassere støtter på begge sider av arbeidsstykket, i nærheten av sagsporet og ved arbeidsstykkets ende.
- **Bruk ikke sløve eller skadete blad.** Blad som ikke er skjerpet eller som er dårlig montert vil lage et tynnere





sagspor som vil forårsake for stor friksjon av bladet og dermed en større fare for vridning og tilbakekast.

- **Før du begynner et snitt, må du se etter at knappene for innstilling av dybde og skråstilling er låst godt fast.** Hvis innstillingene av bladposisjonen endres under sagingen, kan bladet låses fast og det kan oppstå tilbakekast.
- **Vis ekstra forsiktighet når du sager inn i en vegg eller andre lukkede områder.** Bladet kan komme bort i skjulte elementer, noe som kan medføre tilbakekast.

FUNKSJONEN TIL NEDRE BESKYTTELSE

- **Før hver bruk må du kontrollere at den nedre bladbeskyttelsen dekker bladet som det skal. Bruk ikke sagen dersom den nedre bladbeskyttelsen ikke aktiveres fritt og det ikke senkes øyeblikkelig på bladet. Den nedre bladbeskyttelsen skal aldri festes eller fastspennes i åpen stilling.** Dersom sagen tilfeldigvis faller, kan den nedre bladbeskytteren bøyes. Løft opp den nedre bladbeskytteren ved hjelp av hendelen og påse at det kan håndteres uten vanskeligheter og at det ikke rører bladet eller en annen del, uavhengig av saguevinkelen og –dybden du har valgt.
- **Se etter at den nedre bladbeskytters fjær er i god stand og fungerer riktig. Hvis bladbeskytteren eller fjæren ikke fungerer riktig, må de repareres eller skiftes ut før sagen brukes.** Den nedre skjoldet kan bevege seg tregt som følge av skadede deler, avleiringer eller oppbygging av avfall.
- **Det nedre skjoldet kan kun trekkes tilbake for hånd ved spesielle oppgaver, som "dypkutt" og "kombinertkutt."** Løft opp den nedre bladbeskytteren ved hjelp av hendelen. Straks bladet trenger inn i arbeidsstykket, kan du slippe den nedre bladbeskytteren. For alle andre sagsnitt, settes den nedre bladbeskytteren automatisk på plass.
- **Sjekk alltid at den nedre bladbeskytteren dekker bladet godt før du legger sagen på en arbeidsbenk eller på gulvet.** Dersom bladet ikke er riktig tildekket, kan det gå rundt av seg selv og skjære det som befinner seg i sagbanen. Du må være klar over at bladet fortsetter å gå rundt en liten stund etter at motoren har stoppet.

SIKERHETSREGLER FOR SAGBLAD FOR TREVRIRKE

- Les bruksanvisningen og instruksjonene nøye før du bruker sagbladet og elektroverktøyet.
- Elektroverktøyet må være i god stand, og spindelen må være uten deformasjoner eller vibrasjoner.
- Sagen må bare brukes når beskyttelsen er på plass. Hold beskyttelsen i god stand og vedlikehold regelmessig.
- Pass på at operatøren er tilstrekkelig opplært i sikkerhetsforanstaltninger, justering og drift av elektroverktøyet.
- Bruk alltid vernebriller og hørselvern når du bruker verktøyet. Operatøren bør bruke hansker og solide og sklisikre sko.
- Før det benyttes noen form for tilbehør, se brukermanualen. Feil bruk av tilbehør kan føre til skader og øke risikoen for personskade.

- Bruk bare sagblader som er spesifisert i denne manualen og er i henhold til EN 847-1.
- Observer maksimumshastigheten som er angitt på sagbladet. Påse at hastigheten som er merket av på sagbladet er minst lik hastigheten merket av på selve sagen.
- Bruk alltid et blad som har en størrelse og en form som passer til spindelens diameter. Et blad som ikke passer til spindelen som det skal monteres på vil ikke gå rundt riktig og kan få deg til å miste kontroll over verktøyet.
- Ikke bruk blader med større eller mindre diameter enn anbefalt. Ikke bruk avstandsstykker for å få bladet til å passe på spindelen.
- Kontroller at tuppene på sagbladet ikke er skadet eller ser unormale ut før hver bruk. Tupper som er skadet eller sitter løst, kan løsne og fly gjennom luften, med økt risiko for personskade.
- Sagblad som har sprekker eller som har endret form må ikke brukes! Ikke bruk sageblader som er skadet eller deformerte.
- Kast sagbladet hvis det er skadet, deformert, forvridd eller har sprekker. Det skal ikke repareres.
- Ikke bruk HSS-blader.
- Påse at sagbladet er korrekt montert før sagen tas i bruk. Stram bladets festebolt godt til før bruk (tiltrekningsmoment på 10–15 Nm).
- Festeskruen og mutterne skal strammes til med korrekt skiftenøkkel.
- Det er ikke tillatt å bruke forlenger til skiftenøkkel eller stramme til ved hjelp av hammer.
- Påse at bladet og flensene er rene og at de forsenede sidene av kragen er mot sagbladet.
- Påse at sagbladet roterer i korrekt retning.
- Før du starter arbeidet, gjør et liksomkutt uten at motoren er på for å se at bladet er posisjonert riktig, beskyttelsene er på i forhold til andre maskindeler og sjekk også selve emne.
- La aldri sagen gå uten betjening.
- Ikke påfør smøremidler på sagbladet mens det er i bevegelse.
- Foreta aldri rengjøring eller vedlikehold på sagen mens sagbladet fortsatt er i bevegelse og hodet ikke er i hvileposisjon.
- Når et elektroverktøy er i bevegelse, bør du aldri prøve å stoppe det raskt ved å kjøre et verktøy eller andre gjenstander mot bladet. Dette kan føre til alvorlige ulykker.
- Koble strømforsyningen eller batteriet fra sagen før du skifter blad eller utfører vedlikehold.
- Pass nøye på bladet under pakking og utpakking. Det er lett å bli skadet av de skarpe spissene på sagtennene.
- Bruk en holder eller hansker når du håndterer sagblad.
- Bladet bør alltid oppbevares og lagres i originalemballasjen eller en annen egnet emballasje. Må oppbevares tørt og unna kjemikalier som kan skade bladet.





⚠ ADVARSEL

- Bruk øyne- og ørebeskyttelse.
- Unngå overoppheting av bladtuppene. Bruk ikke sløve eller skadete blad. Ikke press verktøyet.
- Bruk kun anbefalte sagblader.

SPEISIELLE SIKKERHETSADVARSLER

- Bruk aldri slipeskive.
- Bruk kun bladdiameter(e) i samsvar med merkingene.
- Identifiser riktig sagblad som skal brukes for å kappe materialet.
- Bruk kun de sagbladene som er merket med en fart som er lik eller høyere enn farten som er angitt på sagen.
- Bruk kun sagblader som anbefales av produsenten, som samsvarer med EN 847-1, hvis beregnet til tre og lignende materialer.
- Bruk støvmaske.
- Kun for RCS1400: Strømskansen skaper spenningsvariasjoner og kan påvirke andre elektriske apparater på den samme kursen. Koble produktet til en strømforsyning med en impedans lik $Z_{max}=0.459 \Omega$ for å minimere spenningsvingninger.

LASERSIKKERHET (RCS1600)



- Laserstrålen som brukes i sagen er Class 2, med maksimum $\leq 1\text{mW}$ og 650 nm bølgelengde. Ikke stirr direkte inn i laserstrålen. Å unnlate å følge reglene vil kunne føre til alvorlig personskade.



Vi har levert deg en selvklebende etikett på ditt språk og ber deg nå erstatte etiketten med engelsk tekst med denne advarseletiketten før du tar maskinen i bruk.

- Ikke se inn i laserstrålen under arbeid.
- Ikke rett laserstrålen direkte inn i øynene på andre. Alvorlig øyeskade kan oppstå som resultat.
- Ikke plasser laseren i en posisjon som kan føre til at noen bevisst eller ubevisst vil kunne stirre direkte inn i laserstrålen.
- Ikke bruk optisk verktøy for å se laserstrålen.
- Ikke bruk laseren når det er barn til stede eller la barn få bruke laseren.
- Ikke gjør forsøk på å reparere laserutstyret selv.
- Ikke gjør forsøk på å skifte noen del av laserutstyret selv.
- Enhver reparasjon må bare utføres av laserprodusenten eller et autorisert laserverksted.

- Ikke skift ut laseren med en annen type.

GJENVÆRENDE RISIKO

Også når produktet brukes som beskrevet, er det ikke mulig å utelukke risiko for brukere eller personer i nærheten. Følgende farer kan oppstå ved bruk og operatøren bør være spesielt oppmerksom på å unngå/sikre følgende:

- Personskader pga. tilbakeslag
 - Les og sikre deg at du forstår informasjonen i denne håndboken.
 - Skader skapt av støv.
 - Støv kan komme i øyne eller lungesystemet. Bruk til enhver tid øyebeskyttelse. Bruk egnet støvkontrollmaske med filtre som egnert seg til å beskytte mot partikler fra materialet som kuttes. Ikke spis, drikk eller røyk i arbeidsområdet. Husk god ventilasjon.
 - Skade på grunn av elektrisk støv
 - Bladet kan komme i kontakt med skulte ledninger, som kan gjøre deler av produktet strømførende. Hold produktet alltid i håndtakene og pass på når du kutter i vegger og gulv der det kan være skjulte kabler.
- NB:** Når det arbeides på vegger, tak eller gulv må det påses at det ikke bores i elektriske ledninger og vann- eller gassrør.

- Personskader utløst av kontakt med bladet
 - Sagbladene er meget skarpe og blir meget varme ved bruk. Bruk hansker når du skifter bladene. Hold hendene til enhver tid unna kutteområdet. Hold ALDRI arbeidstykke med hånden din eller mellom bena. Klem fast arbeidsemne når det er mulig.
- Personskader pga. vibrasjon
 - Begrense eksponering. Se "Farereduksjon".

FAREREDUKSJON

Det har blitt rapportert at vibrasjonene fra håndholdt verktøy kan bidra til en tilstand som heter Raynauds syndrom hos enkelte. Symptomene kan omfatte følelsesløshet og gjøre fingrene bleke, vanligvis synlig ved eksponering til lave temperaturer. Arvelige faktorer, eksponering mot lave temperaturer og fuktighet, diett, røyking og arbeidspraksis blir alle ansett for å kunne bidra til å utvikle disse symptomene. Brukeren kan iverksette tiltak for mulig å redusere virkningene av vibrasjonene:

- Hold kroppen din varm i kaldt vær. Bruk hansker og hold hender og vrister varme ved bruk av gressklipperen. Det er rapportert at kaldt vær er en viktig faktor som bidrar til Raynauds Syndrom.
- Etter hver arbeidsperiode bør det utføres øvelser for å øke blodsirkulasjonen.
- Ta ofte pauser fra arbeidet som utføres. Begrens mengden av eksponering pr. dag.

Hvis du opplever noen av symptomene på denne tilstanden må du øyeblikkelig avbryte arbeidet og oppsøke en lege med disse symptomene.



⚠ ADVARSEL

Skader kan oppstå eller forsterkes ved forlenget bruk av et verktøy. Når du bruker et verktøy over en lenger tidsperiode, husk å ta regelmessige pauser.

KJENN DITT PRODUKT.

Se side 135.

1. Avtrekker
2. Strømbryterens frigjøringsknapp
3. Øvre bladbeskytter
4. Støvportadapter
5. Hendel for nedre bladbeskytter
6. Bolt
7. Nedre bladbeskytter
8. Håndtak, isolert gripeoverflate
9. Vinkelskala
10. Lås for vinkelskala
11. Lås for rivestyling
12. Fotplate
13. Laserhode (RCS1600)
14. Blad
15. Skrunøkkel
16. Parallellanlegg

VEDLIKEHOLD

⚠ ADVARSEL

Produktet skal aldri kobles til en strømforsyning mens du monterer på deler, gjør justeringer, rengjør, utfører vedlikehold eller når produktet ikke er i bruk. Koble verktøyet fra strømmen slik at du unngår at det utilsiktet starter, noe som kan føre til alvorlige skader.

⚠ ADVARSEL

For service av maskinen, bruk kun produsentens originale reservedeler, tilleggsutstyr og påsatser. Bruk av andre deler kan skape fare eller føre til skade på produktet.

⚠ ADVARSEL

Du må aldri la bremsevæske, drivstoff, petroleumsbaserte produkter, rustoppløsende olje osv. komme i kontakt med plastikkdeler. Slike kjemiske produkter inneholder stoffer som kan skade, svekke eller ødelegge platen, noe som kan medføre alvorlige kroppsskader.

- Unngå bruk av løsemidler når du rengjør plastdelene. De fleste plastmaterialene kan skades ved bruk av løsningsmidlene som fås i handelen. Bruk en ren klut til å tørke bort smuss, støv osv.
- Vær sikker på at støpslet er trukket ut av strømkontakten før det demonteres eller monteres sagblad. Rengjør produktet og styresystemet med rene kluter.
- Bruk alltid vernebriller eller sikkerhetsbriller med sidebeskyttelse ved bruk av elektrisk verktøy eller når det blåses støv. Hvis arbeidet utløser støv, bruk også

en støvmaske.

- Hvis strømledningen blir skadet, må den skiftes ut med sen spesialledning eller komponent som fås hos produsenten eller dens serviceforhandler.
- Før store sikkerhet og pålitelighet, bør alle reparasjoner utføres av et autorisert servicesenter.

SMØRING

Alle lager i dette produktet skal smøres med en tilstrekkelig mengde med et høyverdig smøremiddel for å sikre lang levetid under normale driftsforhold. Det er derfor unødvendig med tilleggs smøring.

MILJØVERN



Resirkuler råmaterialer istedenfor å kaste dem i søppele. Verktøyet, tilbehørene og emballasjen bør sorteres for miljøvennlig resirkulering.

SYMBOLER PÅ PRODUKTET



Sikkerhetsadvarsel

V

Volt

Hz

Hertz

~

Vekselstrøm

W

Watt

n₀

Hastighet ubelastet

min⁻¹

Antall omdreininger eller bevegelser pr. Minutt



Class II, dobbeltisolert



Tre



Ikke sag i metall



Bruk hørselsvern



Bruk øyeskyttelse



Laserstråling.
Ikke stirr inn i laserstrålen.
Class 2 laserprodukt
λ: 650nm; P≤1mW
EN 60825-1:2014



Fare! Skarpt blad.



Ikke utsett utstyret for regn



Bredde på kappet



Bladtenner



CE samsvarserklæring



EurAsian Konformitetstegn



Ukrainsk merke for konformitet



Vennligst les instruksjonene nøye før du starter maskinen.



Avfall fra elektriske produkter skal ikke kastes sammen med husholdningsavfall. Vennligst resirkulervedeksisterende avfallsbehandlingssted. Undersøk hos dine lokale myndigheter eller forhandler for råd om resirkulering.

SYMBOLER I MANUALEN



Koble til strømnettet.



Koble fra strømnettet.



Deler eller tilbehør solgt separat



Lås



Låse opp



Nb

Følgende symboler og betydninger forklarer risikonivået som er assosiert med dette produktet.

FARE

Indikerer en umiddelbart farlig situasjon, som, dersom den ikke unngås, kan føre til alvorlig personskade eller død.

ADVARSEL

Indikerer en potensiell farlig situasjon, som, dersom den ikke unngås, kan føre til alvorlig personskade eller død.

ADVARSEL

Indikerer en potensiell farlig situasjon, som, dersom den ikke unngås, kan føre til mindre eller moderate skader.

ADVARSEL

(Uten sikkerhetssymbol) Indikerer en situasjon som kan resultere i skader på eiendom.

EN

FR

DE

ES

IT

NL

PT

DA

SV

FI

NO

RU

PL

CS

HU

RO

LV

LT

ET

HR

SL

SK

BG

UK

TR

EL



При производстве циркулярной пилы наибольшее внимание уделяется безопасности, эксплуатационным характеристикам и надежности инструмента.

НАЗНАЧЕНИЕ

Циркулярная пила предназначена только для использования взрослыми, изучившими все инструкции и предостережения настоящего руководства и несущими ответственность за свои действия.

Изделие предназначено для продольного и поперечного распила древесины или аналогичного материала на глубину до 54 мм. Изделие может выполнять распил под прямым углом или под наклоном от 0 до 45 градусов. При использовании основание инструмента должно соприкасаться с обрабатываемым изделием. Пользоваться пилой следует только в сухих, хорошо освещенных и вентилируемых помещениях.

Изделие предназначено для использования в портативном режиме. Запрещается устанавливать изделие на верстак, если нет специальных инструкций производителя пилы, регламентирующих порядок такого крепления. Не используйте инструмент для распиливания металла и каменной кладки.

Используйте устройство строго по назначению, указанному в настоящем руководстве. Использование данного электроинструмента не по назначению может создать опасную ситуацию.

⚠ ОСТОРОЖНО

Прочтите все указания, инструкции, иллюстрации и спецификации, поставляемый с этим электроинструментом. Несоблюдение всех инструкций, указанных ниже, может привести к поражению электрическим током, пожару и / или серьезным травмам.

Сохраните все предупреждения и инструкции для дальнейшего использования.

ПРЕДОСТЕРЕЖЕНИЕ О БЕЗОПАСНОМ ИСПОЛЬЗОВАНИИ ЦИРКУЛЯРНОЙ ПИЛЫ

ВЫПОЛНЕНИЕ РАЗРЕЗОВ

⚠ ОПАСНО

Не держите руки в области резания и режущего диска. Вторую руку кладите на дополнительную рукоятку или корпус двигателя. Держите инструмент двумя руками, это позволит избежать попадания рук под пильный диск.

- Не помещайте руки под обрабатываемую деталь. Защитный кожух не может защитить Вас от лезвия под заготовки.
- Отрегулируйте глубину пропила в соответствии с толщиной заготовки. Не допускайте, чтобы пильный диск проходил заготовку более, чем на высоту зуба.

- **Никогда не поддерживайте отпиливаемый материал.** Закрепите изделие на устойчивой платформе. Важно следить за своей безопасностью, избегать заклинивания диска или потери контроля над инструментом.
- **При выполнении операций, при которых режущий инструмент может задеть скрытые провода или шнур самого инструмента, удерживайте инструмент только за изолированные захватные поверхности.** Касание провода, находящегося под напряжением, может вызвать протекание электрического тока через металлические части электроинструмента и привести к поражению оператора электрическим током.
- **Во время работы используйте параллельный упор или направляющую.** Это улучшит точность резки и снизит риск заклинивания диска.
- **Всегда используйте пильные диски правильного размера и формы, с соответствующим диаметром посадочного отверстия.** Диски с посадочным отверстием не соответствующим диаметру шпинделя пилы будут работать с биением, что может привести к потере контроля над инструментом.
- **Никогда не используйте поврежденные или нештатные шайбы или болты крепления пильного диска.** Крепеж пильного диска был специально разработан для данного инструмента и обеспечивает наилучшее качество работы и безопасность.

ПРИЧИНЫ ОТСКОКОВ И СВЯЗАННЫЕ С НИМИ ПРЕДУПРЕЖДЕНИЯ:

- отдача — спонтанная реакция на зажатие, заклинивание или смещение пильного полотна, в результате чего пила резко отбрасывается вверх и в сторону от обрабатываемой детали, по направлению к оператору;
- при зажатии или заклинивании полотна внутри пропила происходит блокирование полотна, и двигатель по инерции толкает прибор в сторону оператора;
- Если пильный диск установлен неправильно, зубья развернуты в противоположную сторону или имеется биение, удар тыльной стороной зуба о заготовку приведет к подпрыгиванию пилы по направлению к оператору.

Отдача является результатом ненадлежащего использования инструмента и/или неправильной работы оператора, и ее можно избежать путем принятия надлежащих мер предосторожности, которые приводятся ниже.

- **Держите инструмент двумя руками так, чтобы вы могли противостоять отдаче. Стойте сбоку от пильного диска, но не на линии пропила.** При отдаче можно сохранить контроль над инструментом, если предпринять соответствующие меры предосторожности.
- **В случае, если пильный диск останавливается из-за заклинивания или по какой-либо**





другой причине, выключите пилу и держите ее неподвижно до полной остановки диска. **Никогда не пытайтесь извлечь пилу из заготовки или потянуть пилу назад при вращающемся режущем диске, так как это может привести к отскоку.** Обязательно установите и устраните причину заклинивания.

- **Перед возобновлением работы установите пилу так, чтобы диск оказался в пропилах, но зубья не касались материала.** Если пильное полотно искривлено, существует опасность его смещения или отдачи внутри обрабатываемой детали при повторном запуске.
- **Предусматривайте дополнительные упоры при работе с крупногабаритными заготовками, чтобы минимизировать риск защемления диска или отдачи.** Крупные заготовки как правило прогибаются под своим весом. Упоры должны устанавливаться под заготовкой с обеих сторон от линии реза и рядом с краем заготовки.
- **Не используйте тупые или поврежденные пильные диски.** В результате использования изношенного диска получается более узкий пропил, что приводит к увеличению трения и повышает вероятность заклинивания.
- **Рычаги установки глубины пропила и угла резания должны быть жестко зафиксированы до начала работы.** Изменение положения пильного диска во время работы может привести к заклиниванию и отдаче.
- **Соблюдайте предельную осторожность при выполнении врезок в существующие стены или другие глухие зоны.** Выступающий с другой стороны объекта диск может наткнуться на неожиданное препятствие, что приведет к обратному удару.

ФУНКЦИЯ НИЖНЕГО ЗАЩИТНОГО УСТРОЙСТВА

- **Перед началом работы проверьте правильность работы нижнего защитного кожуха. Не начинайте работать, если нижний защитный кожух не движется легко и не закрывается немедленно. Никогда не пытайтесь зафиксировать нижний защитный кожух в открытом положении.** При падении пилы нижний защитный кожух может быть поврежден. Перед началом работы проверьте, что кожух движется свободно и не соприкасается с пильным диском независимо от глубины погружения диска или угла его наклона.
- **Проверьте правильность работы возвратной пружины нижнего защитного кожуха. В случае неправильной работы, обратитесь в сервисный центр.** Причиной медленного срабатывания нижнего защитного кожуха может быть повреждение деталей пилы или отходы производства, скопившиеся под кожухом.
- **Нижний защитный кожух можно отводить вручную только при выполнении работ особого вида, таких как «врезка» или выполнения сложных резов.** Удерживайте нижний кожух за рычаг, после того, как лезвие выйдет в материал

- отпустите защитный кожух. Для всех других видов работ защитный кожух должен действовать автоматически.

- **Всегда следите за тем, чтобы нижний защитный кожух был опущен перед тем, как вы положите пилу на верстак или пол.** Отсутствие защиты на движущемся пильном диске приведет к тому, что пила начнет «пятиться», при этом диск будет пилить все на своем пути. Не забывайте о времени, которое требуется для полной остановки пильного диска после нажатия клавиши выключения инструмента.

ИНСТРУКЦИЯ ПО ТЕХНИКЕ БЕЗОПАСНОГО ОБРАБОТКИ С ПОЛОТНОМ ДЛЯ РЕЗКИ ДРЕВЕСИНЫ

- Перед использованием режущего полотна и электроинструмента внимательно прочитайте настоящее руководство пользователя и инструкции.
- Электроинструмент должен быть в рабочем состоянии, шпиндель не должен быть деформирован и не должен вибрировать.
- Не используйте пилу, если предохранители не установлены в соответствующее положение. Защитные приспособления должны поддерживаться в хорошем рабочем состоянии и надлежащим образом обслуживаться.
- Оператор должен быть обучен технике безопасности при работе с электроинструментом, правилам настройки и эксплуатации электроинструмента.
- При работе с электроинструментом всегда носите очки и пользуйтесь защитой органов слуха. Рекомендуется при работе с инструментом носить перчатки и прочную, нескользящую обувь.
- Перед использованием принадлежностей обязательно прочитайте информацию о них в руководстве по эксплуатации. Ненадлежащее использование оборудования может привести к его повреждению, а также повышает риск получения травмы.
- Используйте только режущие диски, указанные в данном руководстве и удовлетворяющие требованиям стандарта EN 847-1.
- Во время работы не допускайте превышения максимальной скорости вращения, указанной на режущем диске. Убедитесь, что скорость, указанная на пильном диске, больше или равна скорости, указанной на пиле.
- Всегда используйте пильные диски правильного размера и формы, с соответствующим диаметром посадочного отверстия. Диски с посадочным отверстием не соответствующим диаметру шпинделя пилы будут работать с биением, что может привести к потере контроля над инструментом.
- Используйте режущие диски только предписанного диаметра! Не используйте прокладки для закрепления режущего диска в шпинделе.
- Перед каждым использованием проверяйте лезвия режущего полотна на отсутствие повреждений и видимых отклонений. Поврежденные и

EN
FR
DE
ES
IT
NL
PT
DA
SV
FI
NO
RU
PL
CS
HU
RO
LV
LT
ET
HR
SL
SK
BG
UK
TR
EL



болтающиеся лезвия могут отлетать при использовании, что повышает риск получения травмы.

- Не используйте треснувшие или погнутые полотна пилы. Не используйте поврежденные или деформированные пильные полотна.
- Поврежденное, деформированное, изогнутое или треснутое режущее полотно необходимо сдать в лом, ремонт такого полотна запрещен.
- Не пользуйтесь режущими дисками из быстрорежущей стали.
- Перед работой проверьте, правильно ли установлен режущий диск пилы. Тщательно затяните болт крепления полотна перед использованием (крутящий момент затяжки примерно 10-15 Нм).
- Болты и гайки креплений должны быть затянуты соответствующим гаечным ключом.
- Перетяжка гаечным ключом, а также с помощью молотка запрещена.
- Следите за чистотой дисков и фланцев, проследите также, чтобы углубленные стороны втулки прилегали к режущему диску.
- Убедитесь в том, что режущий диск вращается в нужном направлении.
- Перед работой выполните имитирующий рез с выключенным двигателем, чтобы проверить положение лезвия, функционирование защитных приспособлений по отношению к другим деталям устройства и заготовке.
- Никогда не оставляйте инструмент работающим без присмотра.
- Не пытайтесь смазать маслом режущий диск во время его работы.
- Запрещается проводить работы по техническому обслуживанию и очистке, если устройство все еще работает, а его головная часть не вернулась в исходное положение.
- Не пытайтесь остановить электроинструмент во время его движения, прижимая полотно к инструменту или другим деталям. Это может привести к тяжелым травмам.
- Перед заменой полотен и проведения технического обслуживания отключите пилу от электропитания или аккумулятора.
- При упаковке и распаковывании осторожно обращайтесь с полотном. Острые наконечники полотна могут причинить повреждения.
- При работе с режущим диском пилы пользуйтесь держателем или надевайте перчатки.
- Храните полотно в оригинальной или другой соответствующей упаковке. Хранить в сухом месте, не допуская воздействия химических средств, которые могут повредить лезвие.

⚠ ОСТОРОЖНО

- Надевайте средства защиты органов слуха и защитные очки.
- Не допускайте перегрева зубьев режущего полотна. Не используйте тупые или поврежденные пильные диски. Не увеличивайте скорость работы инструмента.
- Используйте только рекомендуемые режущие полотна.

ДОПОЛНИТЕЛЬНЫЕ ПРЕДУПРЕЖДЕНИЯ ПО ТЕХНИКЕ БЕЗОПАСНОСТИ

- Не используйте абразивные круги.
- Диаметр(ы) полотна следует подбирать в соответствии с маркировкой.
- Полотно должно соответствовать обрабатываемому материалу.
- Необходимо использовать полотно, маркировка скорости которого совпадает со значением скорости, указанном на инструменте, или превышает его.
- При распиле древесины или аналогичных материалов допускается использование только пильных полотен, рекомендованных производителем в соответствии со стандартом EN 847-1.
- Надевайте пылезащитную маску.
- Только для RCS1400: Резкое увеличение нагрузки приводит к флуктуации напряжения, что может повлиять на работу других электроприборов, подключенных к данной линии питания. Подключите устройство к источнику питания с полным сопротивлением, равным $Z_{max}=0.459 \Omega$, для минимизации колебаний напряжения.

ПРАВИЛА ТЕХНИКИ БЕЗОПАСНОСТИ ПРИ РАБОТЕ С ЛАЗЕРОМ (RCS1600)



LASER RADIATION
DO NOT STARE INTO BEAM
CLASS 2 LASER PRODUCT
λ: 650nm; P_A1mW
EN 60825-1:2014

- Излучение лазерного указателя, используемое в данном инструменте, соответствует классу 2 с мощностью излучения не более $\leq 1\text{mW}$ и длиной волны 650 нм. Не смотрите прямо на лазерный луч. Несоблюдение правил может привести к серьезным травмам.

LASER RADIATION
DO NOT STARE INTO BEAM
CLASS 2 LASER PRODUCT
λ: 650nm; P_A1mW
EN 60825-1:2014

В комплект поставки входит наклейка на вашем языке. Необходимо, чтобы вы наклеили ее на предупредительную надпись на английском языке перед началом эксплуатации устройства.

- Не смотрите на лазерный луч во время работы.



- Не направляйте лазерный луч в глаза других лиц. Это может привести к тяжелым нарушениям зрения.
- Не устанавливайте лазер в такое положение, чтобы кто-либо мог намеренно или случайно посмотреть прямо на лазерный луч.
- Не используйте оптических инструментов для рассматривания лазерного луча.
- Не используйте лазер в присутствии детей и не разрешайте им пользоваться лазером.
- Не пытайтесь самостоятельно ремонтировать лазерное устройство.
- Не пытайтесь самостоятельно заменить какие-либо части лазерного устройства.
- Любой ремонт должен выполняться только изготовителем лазера или уполномоченным сервисным агентом.
- Не заменяйте лазер лазером другого типа.

ОСТАТОЧНЫЕ РИСКИ

Даже когда изделие используют согласно инструкциям, невозможно полностью устранить факторы риска. Следующие опасности могут возникнуть во время его использования, и во избежание их рабочий должен обратить особое внимание на следующее:

- Травмы, вызываемые отбрасыванием
 - Внимательно прочитайте и изучите настоящее руководство пользователя.
- Травмы, вызываемые пылью
 - Пыль может попасть в глаза или в дыхательную систему. Обязательно носите устройства для защиты глаз. Используйте надлежащую пылезащитную маску с фильтрами для блокирования частиц обрабатываемого материала. Не ешьте, не пейте и не курите в рабочей зоне. Обеспечьте достаточную вентиляцию.
- Травмы, вызываемые поражением электрическим током
 - Пильное полотно может задеть скрытую проводку, при этом детали изделия окажутся под напряжением. Держите изделие только за предназначенные для этого ручки и будьте осторожны при пилении стен и полов, где могут быть скрыты кабели.

ПРИМЕЧАНИЕ: При выполнении работ на стенах, потолках или полах следите за тем, чтобы не задеть электрические кабели и газовые или водопроводные трубы.

- Травмы, вызываемые контактом с пильным полотном
 - Режущее полотно будет нагреваться во время использования. Выполняйте замену полотна в перчатках. Не допускайте попадания рук в зону резания. Никогда не поддерживайте отпиливаемый материал. По возможности закрепляйте заготовку.
- Травмы, вызываемые вибрацией
 - Ограничивайте воздействие. См «Снижение Риска».

СНИЖЕНИЕ РИСКА

Сообщалось, что вибрация ручных электроинструментов у отдельных лиц может способствовать состоянию, которое называется синдром Рейно. К симптомам могут относиться покалывание, онемение и побеление пальцев (как при переохлаждении). Считают, что наследственные факторы, охлаждение и влажность, диета, курение и практический опыт способствуют развитию этих симптомов. Ниже приводятся меры, которые может принять оператор для снижения воздействия вибрации:

- Одевайтесь теплее в холодную погоду. При работе с устройством пользуйтесь перчатками, чтобы руки и запястья были в тепле. Считается, что холодная погода является основным фактором, способствующим возникновению болезни Рейно (Raynaud's Syndrome).
- После каждого этапа работы выполните упражнения для усиления кровообращения.
- Чаще делайте перерывы в работе. Сократите длительность ежедневного пребывания на открытом воздухе.

При появлении каких-либо из указанных симптомов сразу же прекратите работу и обратитесь по их поводу к врачу.

⚠ ОСТОРОЖНО

Продолжительное использование инструмента без перерыва может привести к травмам. При использовании инструмента в течение длительного времени делайте регулярные перерывы.

ИЗУЧИТЕ ИЗДЕЛИЕ

Стр 135.

1. Курок
2. Кнопка разблокировки курка
3. Верхняя охранник
4. Насадка пылеприемника
5. Нижний рычаг охранник
6. Болт крепления полотна
7. Нижняя охранник
8. Ручка, изолированная поверхность захвата
9. Угловая шкала
10. Фиксатор угловой шкалы
11. Фиксатор направляющей для продольного распила
12. База
13. Лазерная головка (RCS1600)
14. Лезвие
15. Гаечный ключ
16. Направляющая резки



ЭКСПЛУАТАЦИЯ

ОСТОРОЖНО

При потере электропитания или другом самопроизвольном выключении машины немедленно переведите клавишу выключателя в положение «ОТКЛЮЧЕНО» и отсоедините вилку от розетки. Если при потере напряжения машина осталась включенной то при возобновлении питания она самопроизвольно заработает, что может привести к телесному повреждению и(или) материальному ущербу.

ТЕХНИЧЕСКОЕ ОБСЛУЖИВАНИЕ

ОСТОРОЖНО

Прибор ни в коем случае не должен подсоединяться к источнику питания, когда вы разбираете его компоненты, выполняете регулировку, очистку, проводите техническое обслуживание, или когда прибор не используется. Отключение инструмента от источника питания предотвращает его случайный пуск, который может привести к получению тяжелой травмы.

ОСТОРОЖНО

При выполнении технического обслуживания используйте только оригинальные запчасти, аксессуары и насадки от производителя. Использование других запчастей может представлять опасность или повредить изделия.

ОСТОРОЖНО

Никогда не допускайте контакта тормозной жидкости, бензина, продуктов на нефтяной основе, пропиточного масла и т. д. с пластмассовыми частями. Эти химикаты содержат вещества, которые могут испортить, ослабить или разрушить пластмассу. Это ведет к тяжелым травмам.

- Избегайте использования растворителей во время чистки пластмассовых частей. Многие пластмассы чувствительны к воздействию различных бытовых растворителей и в результате их использования могут разрушиться. Для снятия грязи, пыли и пр. пользуйтесь чистой тряпкой
- Отключите инструмент от питающей сети перед установкой или снятием режущего полотна. Очищайте инструмент и систему предохранения чистой тканью.
- Всегда надевайте предохранительные или защитные очки с боковыми защитными экранами при работе с данным инструментом или сдувании пыли. Если во время работы образуется много пыли, также надевайте пылезащитную маску.

- Если шнур питания поврежден, его нужно заменить на специальный шнур или на комплект, доступный от производителя или его сервисного представителя.
- Для большей безопасности и надежности все ремонтные работы должны выполняться в авторизованном сервисном центре!

СМАЗКА

Все подшипники в изделии смазаны достаточным количеством высокосортной смазки для продолжительной эксплуатации изделия в нормальных рабочих условиях. Поэтому дополнительная смазка не требуется.

ЗАЩИТА ОКРУЖАЮЩЕЙ СРЕДЫ



Утилизируйте как сырье, а не выбрасывайте как мусор. Машина, аксессуары и упаковка должны быть отсортированы.

УСЛОВНЫЕ ОБОЗНАЧЕНИЯ НА ПРОДУКТЕ



Сигнал опасности

V

Вольт

Hz

Герц

~

Переменный ток

W

Ватт

n_o

Скорость на холостом ходу

min⁻¹

Оборотов или возвратно-поступательных движений в минуту



Класс защиты II, двойная изоляция



Древесина



Запрещается резать металлы



Применяйте средства защиты органов слуха



Применяйте средства защиты органов зрения



Лазерное излучение.
Не смотрите на луч лазера.
Лазерное изделие класса 2
λ: 650nm; P≤1mW
EN 60825-1:2014



Опасно! Острый режущий диск!



Не подвергайте инструмент воздействию дождя



Ширина разреза



Число зубьев



Соответствие требованиям СЕ



Знак Евразийского Соответствия Сертификат Соответствия № TC RU C-DE.AE61.B.07917 Срок действия Сертификата Соответствия По 11.07.2021 АНО Экспертизы и контроля качества – Центр сертификации «Евро-Тест» 109147 РФ, город Москва, улица Малая Калитниковская дом 7



Украинский знак стандартизации



Перед использованием прибора внимательно ознакомьтесь с данной инструкцией.



Отработанная электротехническая продукция должна уничтожаться вместе с бытовыми отходами. Утилизируйте, если имеется специальное техническое оборудование. По вопросам утилизации проконсультируйтесь с местным органом власти или предприятием розничной торговли.



ОПАСНО

Указывает на потенциально опасную ситуацию, которая, если ее не избежать, приведет к летальному исходу или серьезной травме.

ОСТОРОЖНО

Указывает на потенциально опасную ситуацию, которая, если ее не избежать, может привести к летальному исходу или серьезной травме.

ВНИМАНИЕ

Указывает на потенциально опасную ситуацию, которая, если ее не избежать, может привести к травме легкой или средней тяжести.

ВНИМАНИЕ

(Без Символа Тревоги Безопасности) Указывает ситуацию, которая может кончиться повреждением собственности.

- EN
- FR
- DE
- ES
- IT
- NL
- PT
- DA
- SV
- FI
- NO
- RU**
- PL
- CS
- HU
- RO
- LV
- LT
- ET
- HR
- SL
- SK
- BG
- UK
- TR
- EL

ОБОЗНАЧЕНИЯ В РУКОВОДСТВЕ



Подключите к источнику питания.



Отключите от источника питания.



Детали или принадлежности, приобретаемые отдельно



Зафиксировать



Расцепить



Примечание

Следующие сигнальные слова и значения предназначены, чтобы объяснить уровни риска, связанного с этим изделием.

Транспортировка:

Категорически не допускается падение и любые механические воздействия на упаковку при транспортировке.

При разгрузке/погрузке не допускается использование любого вида техники, работающей по принципу зажима упаковки.

Хранение:

Необходимо хранить в сухом месте.

Необходимо хранить вдали от источников повышенных температур и воздействия солнечных лучей.

При хранении необходимо избегать резкого перепада температур.

Хранение без упаковки не допускается.

Срок службы изделия:

Срок службы изделия составляет 5 лет.

Не рекомендуется к эксплуатации по истечении 5 лет хранения с даты изготовления без предварительной проверки.

Дата изготовления (код даты) отштампован на поверхности корпуса изделия.

Пример:

W17 Y2015, где Y2015 - год изготовления

W17 – неделя изготовления

Определить месяц изготовления можно согласно приведенной ниже таблице, на примере 2015 года.

Обратите внимание! Количество недель в месяце различается от года в год.

Месяц	Январь	Февраль	Март	Апрель	Май	Июнь	Июль	Август	Сентябрь	Октябрь	Ноябрь	Декабрь	Год
Неделя	01	05	09	14	18	22	27	31	36	40	44	49	2015
	02	06	10	15	19	23	28	32	37	41	45	50	
	03	07	11	16	20	24	29	33	38	42	46	51	
	04	08	12	17	21	25	30	34	39	43	47	52	
	05	09	13	18	22	26	31	35	40	44	48	53	
		14			27								

Najwyższymi priorytetami w trakcie projektowania zakupionej przez Państwa pilarki tarczowej były bezpieczeństwo, wydajność i niezawodność.

PRZEZNACZENIE

Opisywana pilarka tarczowa przeznaczona jest do stosowania wyłącznie przez osoby dorosłe, które zapoznały się z instrukcjami i ostrzeżeniami zawartymi w niniejszym dokumencie oraz zrozumiały je, a także mogą być uważane za odpowiedzialne za swoje postępowanie.

Produkt przeznaczony jest do cięcia drewna wzdłuż i w poprzek włókien na maksymalną głębokość 54 mm. Produkt może wykonywać cięcia proste lub ukośne w zakresie od 0 do 45° stopni. Należy je stosować tak, by jego podstawa pozostawała w kontakcie z obrabianym przedmiotem. Narzędzie należy stosować wyłącznie w miejscach suchych i należyście oświetlonych oraz wentylowanych.

Ten produkt przeznaczony jest do trzymania w dłoni. Tego produktu nie należy montować na stole warsztatowym, chyba że producent piły przekazał szczegółowe instrukcje dotyczące sposobu postępowania w tym zakresie. Nie należy używać do cięcia elementów metalowych ani betonowych.

Nie należy używać tego produktu niezgodnie z przeznaczeniem. Używanie narzędzi w sposób niezgodny z ich przeznaczeniem jest niebezpieczne.

⚠ OSTRZEŻENIE

Prosimy o uważne zapoznanie się z ostrzeżeniami, instrukcjami i specyfikacjami dostarczonymi z tym narzędziem oraz z zawartymi w nich ilustracjami. Nie przestrzeganie przedstawionych niżej zaleceń mogłoby pociągnąć za sobą wypadki takie jak pożary, porażenia prądem elektrycznym i/lub poważne obrażenia ciała.

Zachowaj wszystkie ostrzeżenia i instrukcje do wykorzystania w przyszłości.

OSTRZEŻENIA DOTYCZĄCE BEZPIECZEŃSTWA PRACY Z PILARKĄ TARCZOWĄ

PROCEDURY CIĘCIA

⚠ NIEBEZPIECZEŃSTWO

Trzymać dłonie z dala od miejsca cięcia i tarczy tnącej. Ręka, która nie trzyma głównego uchwytu narzędzia, powinna trzymać uchwyt pomocniczy lub opierać się na obudowie silnika. W ten sposób wasze ręce nie znajdują się w strefie cięcia, na torze tarczy.

- **Nie sięgać pod obrabiany przedmiot.** W tym miejscu osłona tarczy nie może Was chronić, gdyż nie pokrywa tarczy.
- **Wyregulujcie głębokość cięcia w zależności od grubości obrabianego przedmiotu.** Zęby tarczy nie powinny wystawać całkowicie pod obrabianym przedmiotem podczas cięcia.

- **NIGDY nie trzymajcie obrabianego przedmiotu ręką czy między nogami.** Przymocujcie obrabiany przedmiot do stabilnego wspornika. Najważniejsze jest należyte zamocowanie przedmiotu do obróbki, tak by uniknąć wszelkiego ryzyka zranienia, nie należy zginać tarczy by nie utracić kontroli nad narzędziem.
- **W trakcie pracy należy trzymać elektronarzędzie wyłącznie za izolowane uchwyty, ponieważ w przeciwnym przypadku osprzęt tnący może zetknąć się z ukrytymi przewodami lub własnym przewodem zasilającym narzędzia.** Zetknięcie z przewodem pod napięciem spowoduje, że wszystkie metalowe części elektronarzędzia będą również pod napięciem, co w rezultacie spowoduje porażenie prądem operatora.
- **Podczas wykonywania cięcia równoległego używajcie zawsze albo przewodnika cięcia równoległego albo prostej listwy.** Wtedy precyzja cięcia ulepszy się i unikniecie ryzyka zgnięcia tarczy.
- **Używajcie zawsze tarcz o wymiarze i kształcie dostosowanym do otworu mocującego wrzeciona.** Tarcze tnące nie dostosowane do wrzeciona, na którym mają być zamontowane nie będą się należyście obracały i mogą spowodować utratę kontroli nad narzędziem.
- **Nigdy nie używajcie śrub czy kołnierzy tarcz, które są zdefektowane lub niedostosowane.** Śruby i kołnierze tarcz zostały zaprojektowane specjalnie do waszego modelu pilarki z myślą o optymalnym bezpieczeństwie i osiągnięciu.

PRZYCZYNY ODRZUTU I POWIĄZANE OSTRZEŻENIA:

- odbicie to nagła reakcja na zaciśnięcie, zacięcie lub nieprawidłowe ustawienie tarczy piły, powodująca niekontrolowane podniesienie i wyrzucenie piły z obrabianego przedmiotu w kierunku operatora;
- gdy tarcza ulega zacięciu lub ściśnięciu przez zamykające się krawędzie, zostaje zatrzymana, a reakcja silnika powoduje szybki powrót urządzenia w kierunku operatora;
- Kiedy tarcza się wygina lub jest źle zrównana, zęby znajdujące się z tyłu tarczy mogą się zagłębić w drewnie, co spowoduje gwałtowny odrzut tarczy z obrabianego przedmiotu w kierunku użytkownika.

Odbicie jest wynikiem złego użycia narzędzia i/lub niepoprawnego sposobu lub warunków cięcia. Można go uniknąć podejmując środki ostrożności.

- **Należy mocno trzymać pilarkę dwoma rękami i ustawić ramiona tak, by móc kontrolować ewentualne odbicie.** Trzymajcie się zawsze z boku pilarki, kiedy jej używacie nigdy nie stawajcie w linii cięcia tarczy. Odbicie wyrzuci pilarkę do tyłu, ale może być kontrolowane, jeżeli użytkownik to przewiduje i jest na to przygotowany.
- **Jeżeli tarcza się zaklinuje, lub musicie z jakiegóż przyczyny przerwać cięcie, zwolnijcie spust i trzymajcie pilarkę w obrabianym przedmiocie do czasu aż tarcza zupełnie przestanie się obracać. Nie wolno próbować wyciągnąć piły z obrabianego materiału, podczas gdy tarcza tnąca jeszcze się obraca; grozi to wystąpieniem zjawiska odrzutu.** Kiedy tarcza się klinuje, szukajcie przyczyny i podejmijcie środki zapobiegawcze, by to się nie

powtórzyło.

- **Przed ponownym uruchomieniem pilarki do ponownego cięcia, zrównajcie należyście tarczę z nacięciem piły i sprawdźcie czy zęby nie dotykają przedmiotu do obróbki.** W przypadku zakleszczenia tarczy piły może ona przemieszczać się w górę lub odbijać się od obrabianego przedmiotu w momencie ponownego uruchomienia piły.
- **W celu zmniejszenia ryzyka zaklinowania tarczy lub odbicia, dopilnujcie by długie elementy były podparte.** Długie elementy do obróbki mają skłonność do uginania się pod własnym ciężarem. Możecie ustawić wsporniki po obu stronach przedmiotu do obróbki, blisko linii cięcia i na końcu przedmiotu.
- **Nie używajcie uszkodzonych lub stępionych tarcz.** Tarcze nienastrzone lub źle zamontowane będądawały cięcie powodujące nadmierne tarcie tarczy i zwiększenie ryzyka wygięcia czy odbicia.
- **Przed rozpoczęciem cięcia, sprawdźcie czy przyciski regulacji głębokości cięcia i nachylenia są należyście zablokowane.** Jeżeli ustawienia pozycji tarczy zmieniają się podczas cięcia, tarcza może się zaklinować i może nastąpić odbicie.
- **Należy zachować szczególną ostrożność w przypadku cięcia istniejących ścian lub innych konstrukcji nieprzelotowych.** Tarcza mogłaby uderzyć o ukryte przedmioty, co doprowadziłoby do odbicia.

DZIAŁANIE DOLNEJ OSŁONY

- **Przed każdym użyciem, należy sprawdzić czy wewnętrzna osłona tarczy, należyście zakrywa tarczę.** Nie używajcie waszej pilarki, jeżeli wewnętrzna osłona tarczy nie może być swobodnie uruchomiona i jeżeli nie opada natychmiast na tarczę. Nie należy mocować czy przyczepiać dolnej osłony tarczy w pozycji otwartej. Gdyby pilarka przypadkowo spadła, wewnętrzna osłona tarczy mogłaby się zgłąć. Podniesienie do góry dolną osłonę tarczy przy pomocy dźwigni i upewnijcie się, że można ją z łatwością manipulować i że nie dotyka ona ani tarczy ani żadnej innej części, bez względu na wybrany kąt i głębokość cięcia.
- **Upewnijcie się czy sprężyna wewnętrznej osłony tarczy jest poprawnie zainstalowana i czy jest w stanie sprawnym do działania.** Jeżeli osłona tarczy i sprężyna nie funkcjonują sprawnie, oddajcie je do naprawy lub wymiany przed użyciem pilarki. Pracę osłony dolnej może utrudniać kleisty osad, zanieczyszczenia lub uszkodzone elementy.
- **Osłonę dolną można wycofywać ręcznie wyłącznie w szczególnych przypadkach, jak np. do wykonania „cięcia wgłębego” lub „cięć złożonych”.** Podniesienie wewnętrznej osłony tarczy przy pomocy dźwigni. Następnie, gdy tylko tarcza wejdzie w obrabiany przedmiot, puścić wewnętrzną osłonę tarczy. Do innych rodzajów cięcia, wewnętrzną osłonę tarczy umiejscawia się automatycznie.
- **Przed położeniem waszej pilarki na stoliku warsztatowym czy na ziemi, należy sprawdzić czy wewnętrzna osłona tarczy, należyście zakrywa**

tarczę. Jeżeli tarcza nie jest należyście zakryta, może się obracać bezwładnościowo i ciąć to co znajduje się w jej torze cięcia. Zdajcie sobie sprawę z faktu, że tarcza obraca się jeszcze przez pewien czas po wyłączeniu silnika.

INSTRUKCJE BEZPIECZEŃSTWA DOTYCZĄCE TARCZY DO CIĘCIA DREWNA

- Przed przystąpieniem do użytkowania tarczy pilarki i samego narzędzia z napędem należy dokładnie zapoznać się z instrukcją oraz pozostałymi wskazówkami.
- Narzędzie z napędem musi znajdować się w dobrym stanie, a trzpień obrotowy nie może być zdeformowany ani wpadać w wibracje.
- Pilarki nie wolno stosować bez zamontowanych osłon. Należy zadbać o prawidłowe konserwowanie i działanie osłon.
- Należy upewnić się, że operator jest należyście przeszkolony w zakresie środków ostrożności, regulacji oraz obsługi narzędzia z napędem.
- W trakcie użytkowania narzędzia z napędem należy zawsze nosić okulary ochronne oraz środki ochrony słuchu. Zaleca się noszenie rękawic oraz solidnych, antypoślizgowych butów.
- Przed użyciem jakichkolwiek akcesoriów należy zapoznać się z instrukcją obsługi. Niewłaściwe stosowanie akcesoriów może prowadzić do uszkodzeń oraz zwiększać prawdopodobieństwo uszczerbku na zdrowiu.
- Stosować wyłącznie ostrza wyszczególnione w tym materiale, zgodne z EN 847-1.
- Należy przestrzegać ograniczenia maksymalnej prędkości dot. ostrza piły. Należy upewnić się, że prędkość podana na ostrzu piły jest przynajmniej taka sama jak prędkość podana na pile.
- Używajcie zawsze tarcz o wymiarze i kształcie dostosowanym do otworu mocującego wrzeciona. Tarcze tnące nie dostosowane do wrzeciona, na którym mają być zamontowane nie będą się należyście obracały i mogą spowodować utratę kontroli nad narzędziem.
- Nie używać ostrzy o większej lub mniejszej średnicy od zalecanej średnicy ostrza. Nie stosować żadnych przekładek/podkładek, aby umożliwić dopasowanie wrzeciona.
- Przed każdym użyciem należy sprawdzić końcówki tarczy pilarki pod kątem braku uszkodzeń lub nietypowego wyglądu. Uszkodzone lub luźne końcówki mogą odrywać się w trakcie pracy, co z kolei może prowadzić do poważnych urazów.
- Nie używać pękniętych lub zniekształconych brzeszczotów! Nie używać brzeszczotów/tarcz, które są zniekształcone lub uszkodzone.
- Tarczę pilarki należy wyrzucić na złom w przypadku gdy dojdzie do jej uszkodzenia, odkształcenia lub pęknięcia. Naprawianie tarczy jest niedopuszczalne.
- Nie stosować ostrzy HSS.
- Przed użyciem należy upewnić się, czy ostrze piły jest dobrze zamontowane. Przed rozpoczęciem pracy należy dokładnie dokręcić śrubę mocującą tarczę,



EN
FR
DE
ES
IT
NL
PT
DA
SV
FI
NO
RU
PL
CS
HU
RO
LV
LT
ET
HR
SL
SK
BG
UK
TR
EL

stosując moment obrotowy równy około 10–15 Nm.

- Śrubę mocującą i nakrętki należy dokręcać odpowiednim kluczem.
- Zabrania się stosowania przedłużeń kluczy lub dokręcania poprzez uderzanie młotkiem.
- Wszystkie ostrza i krawędzie maszyny muszą być czyste, a wpuszczone strony kołnierza muszą być skierowane w stronę ostrza.
- Sprawdzić, czy ostrza obracając się w odpowiednim kierunku.
- Przed pracą należy wykonać próbne cięcie przy włączonym silniku w celu sprawdzenia położenia ostrza, działania osłon w stosunku do innych części maszyny oraz obrabianego elementu.
- Nie wolno zostawiać maszyny podczas pracy bez nadzoru.
- Nie aplikować smarów na obracające się ostrze.
- Nie wolno wykonywać czyszczenia ani konserwacji, gdy maszyna nadal działa, a głowica nie znajduje się w położeniu spoczynkowym.
- Nigdy nie należy próbować zatrzymać narzędzia z napędem silnikowym poprzez zakleszczenie tarczy lub unieruchomienie jej w inny sposób. Postępowanie takie może prowadzić do poważnych wypadków.
- Przed przystąpieniem do wymiany tarczy lub rozpoczęciem prac konserwacyjnych należy odłączyć pilarkę od zasilania sieciowego bądź akumulatora.
- W trakcie pakowania i rozpakowywania należy zwracać szczególną uwagę na tarczę. Końcówki tarczy są ostre i mogą łatwo rozciąć skórę.
- Podczas obsługi należy stosować uchwyt lub nosić rękawice ochronne.
- Tarczę należy przechowywać w oryginalnym opakowaniu bądź innym odpowiednim opakowaniu. Przechowywać w suchym miejscu, z dala od substancji chemicznych, które mogłyby uszkodzić tarczę.

⚠ OSTRZEŻENIE

- Stosuj środki ochrony oczu i uszu.
- Unikaj przegrzewania końcówek ostrza. Nie używajcie uszkodzonych lub stępionych tarcz. Nie używaj siły podczas obsługi narzędzia.
- Należy stosować wyłącznie zalecane tarcze do piły.

DODATKOWE OSTRZEŻENIA BEZPIECZEŃSTWA

- Nigdy nie używajcie tarczy ścierniej.
- Stosować wyłącznie tarcze o średnicy(-ach) zgodnej(-ych) z oznaczeniami.
- Zidentyfikować prawidłową tarczę tnącą dopasowaną do przeznaczonego do cięcia materiału.
- Stosować wyłącznie tarcze, na których podano prędkość co najmniej równą prędkości podanej na narzędziu.
- Stosować wyłącznie tarcze zalecane przez producenta, które spełniają wymagania normy EN 847-1, o ile są przeznaczone do drewna i podobnych materiałów.
- Noś maskę przeciwpyłową.

- Tylko dla RCS1400: Impuls elektryczny powoduje wahania napięcia i może wpływać na pracę innych urządzeń elektrycznych podłączonych do tej samej linii zasilającej. Podłącz produkt do źródła zasilania o impedancji wynoszącej $Z_{max}=0.459 \Omega$, aby ograniczyć wahania napięcia.

BEZPIECZEŃSTWO DOTYCZĄCE LASERA (RCS1600)



- Zastosowany w urządzeniu laser to urządzenie klasy II o mocy $\leq 1mW$ i długości fali 650 nm. Nie wolno patrzeć bezpośrednio w wiązkę lasera. Nieprzestrzeganie zasad może spowodować poważne obrażenia ciała.



Dostarczyliśmy Tobie samoprzylepną etykietę w Twoim języku: przed pierwszym uruchomieniem maszyny przyklej tę etykietę w miejscu tekstu ostrzeżenia po angielsku.

- Nie patrzeć bezpośrednio w wiązkę lasera podczas pracy.
- Nie kierować lasera w stronę oczu osób postronnych. Groziłoby to poważnym uszkodzeniem wzroku.
- Nie umieszczać lasera w sposób pozwalający na świadome lub nieświadome skierowanie wzroku bezpośrednio na promień lasera.
- Nie używać przyrządów optycznych w celu podglądu wiązki lasera.
- Nie używać lasera w pobliżu dzieci ani nie zezwalać dzieciom na jego używanie.
- Nie wolno próbować samodzielnie naprawiać lasera.
- Nie próbować samodzielnie zmieniać żadnych części urządzenia laserowego.
- Naprawy należy powierzyć wyspecjalizowanemu serwisowi lub producentowi lasera.
- Nie wymieniać lasera na laser innego typu.

RYZYKO ZWIĄZANE Z UŻYTKOWANIEM

Nawet jeśli produkt jest używany zgodnie z zaleceniami, nadal nie jest możliwe wyeliminowanie określonych czynników ryzyka. Następujące zagrożenia mogą wystąpić podczas używania urządzenia i operator powinien zwracać szczególną uwagę na poniższe punkty:

- Urazy ciała spowodowane przez odskok
 - Należy ze zrozumieniem przeczytać informacje zawarte w niniejszej instrukcji.
- Urazy ciała spowodowane pyłem
 - Pył może dostać się do oczu i układu oddechowego. Stosować przez cały czas środki ochrony oczu. Nosić odpowiednią maskę przeciwpyłową z filtrami



odpowiednimi do ochrony przed cząstkami ciętego materiału. Nie jeść, nie pić i nie palić w miejscu pracy. Zapewnić odpowiednią wentylację.

- Urazy spowodowane porażeniem prądem elektrycznym
 - Ostrze może zetknąć się z ukrytymi przewodami, w rezultacie czego części produktu będą pod napięciem. Produkt zawsze należy trzymać za odpowiednie uchwyty i należy zachować ostrożność w przypadku cięcia otworów w ścianach i podłogach, gdzie mogą przebiegać kable.

UWAGA: Przy wykonywaniu prac na ścianach, sufitach lub podłogach należy unikać kontaktu z przewodami elektrycznymi oraz rurami gazowymi i wodnymi.

- Urazy spowodowane kontaktem z ostrzem
 - Ostrza są bardzo ostre i podczas pracy są gorące. Podczas wymiany ostrzy należy nosić rękawice. Przez cały czas należy trzymać ręce z dala od obszaru cięcia. NIGDY nie trzymajcie obrabianego przedmiotu ręką czy między nogami. Jeśli to możliwe, należy unieruchomić obrabiany materiał.
- Urazy ciała spowodowane przez wibracje
 - Ograniczyć narażenie na kontakt. Patrz "Ograniczenie Ryzyka".

OGRANICZENIE RYZYKA

Znane są przypadki wywołania u niektórych osób objawu Raynauda spowodowanego wibracjami ręcznych narzędzi. Typowe objawy to mrowienie, drętwienie i blednięcie palców, widoczne zwykle po wystawieniu na działanie zimna. Uważa się, że czynniki dziedziczne, wystawienie na działanie zimna i wilgoci, dieta, palenie papierosów i przyjęte zwyczaje przyczyniają się do rozwoju tych objawów. Istnieją środki zaradcze, które może podjąć operator narzędzia, aby zmniejszyć efekt wibracji:

- Zadbaj o niskich temperaturach o ciepłotę własnego ciała, zakładając odpowiednie ubranie. Podczas obsługi urządzenia należy nosić rękawice, aby dłonie i nadgarstki były ciepłe. Wiadomo, że niskie temperatury są główną przyczyną powstawania objawu Raynauda.
- Podczas przerw w pracy należy wykonywać ćwiczenia poprawiające krążenie krwi..
- Podczas pracy robić częste przerwy. Ograniczyć ekspozycję w ciągu dnia.

W razie doświadczenia dowolnego z wymienionych objawów, należy niezwłocznie zaprzestać użytkowania tego urządzenia i skontaktować się z lekarzem.

⚠ OSTRZEŻENIE

Długotrwałe użytkowanie narzędzia może spowodować obrażenia ciała lub nasilić dolegliwości zdrowotne. W przypadku używania narzędzia przed dłuższy czas należy pamiętać o regularnych przerwach.

INFORMACJE O PRODUKCIE

Patrz strona 135.

1. Przycisk uruchamiający
2. Przycisk odblokowania spustu przepustnicy
3. Górna osłona tarczy

4. Adapter wylotu pyłu
5. Dźwignia dolnej osłony tarczy
6. Śruba tarczy
7. Dolna osłona tarczy
8. Uchwyt, izolowana powierzchnia chwytana
9. Skala kątowna
10. Blokada skali kątownej
11. Blokada prowadnicy do cięcia wzdłużnego
12. Podstawa
13. Głowica laserowa (RCS1600)
14. Tarcza
15. Kluczyk
16. Prowadnica wzdłużna

KONSERWACJA

⚠ OSTRZEŻENIE

Produkt nigdy nie może być podłączony do źródła zasilania podczas montażu części, regulacji, czyszczenia, konserwacji lub gdy nie jest używany. Odlączenie produktu od zasilania pozwala zapobiec przypadkowemu uruchomieniu, które mogłoby spowodować obrażenia.

⚠ OSTRZEŻENIE

W przypadku serwisowania należy stosować wyłącznie oryginalne części zamienne. akcesoria oraz osprzęt producenta. Użycie jakiegokolwiek innej części mogłoby spowodować zagrożenie lub też uszkodzić wasze narzędzie.

⚠ OSTRZEŻENIE

Nie wolno dopuścić do kontaktu plastikowych części z płynem hamulcowym, benzyną, produktami ropopochodnymi, olejami penetrującymi itp. Te produkty chemiczne zawierają substancje, które mogłyby uszkodzić, osłabić lub zniszczyć plastik, co mogłoby spowodować poważne zranienie.

- Nie stosować rozpuszczalników do czyszczenia elementów plastikowych. Większość tworzyw sztucznych, mogłoby zostać uszkodzone przez użycie rozpuszczalników dostępnych w sprzedaży. Używajcie czystej szmatki do mycia zabrudzeń, pyłu, itd.
- Należy pamiętać, aby przed założeniem lub zdjęciem tarczy tnącej wyjąć wtyczkę z gniazda sieciowego. Produkt i zespół osłon należy czyścić czystymi szmatami.
- Podczas użytkowania elektronarzędzi lub wydmuchiwania pyłu należy zawsze nosić okulary ochronne z osłonami bocznymi. Jeśli wykonywanej pracy towarzyszy powstawanie pyłu, należy również stosować maskę przeciwpyłową.
- W przypadku uszkodzenia przewodu zasilającego należy wymienić go na specjalny przewód lub zespół dostępny u producenta lub przedstawiciela serwisu.
- Dla większego bezpieczeństwa i lepszej pewności, wszystkie naprawy powinny być wykonywane w

Autoryzowanym Punkcie Serwisowym.

SMAROWANIE

Wszystkie łożyska produktu są smarowane przy użyciu odpowiedniej ilości wysokiej jakości smaru na cały okres eksploatacji produktu przy uwzględnieniu normalnych warunków roboczych. W wyniku czego, nie zachodzi potrzeba dodatkowego smarowania.

OCHRONA ŚRODOWISKA



Surowce należy oddawać do powtórnego przetworzenia zamiast wyrzucać je na śmieci. Z myślą o ochronie środowiska, narzędzie, akcesoria i opakowania powinny być sortowane.

SYMBOLE PRODUKTU



Uwaga dotycząca bezpieczeństwa

V

Wolt

Hz

Herc

~

Prąd przemienny

W

Wat

n₀

Prędkość bez obciążenia

min⁻¹

Ilość obrotów czy ruchów na minutę



Klasa II, podwójna izolacja



Drewno



Nie ciąć metali



Stosować środki ochrony słuchu



Stosować środki ochrony wzroku



Promieniowanie lasera.
Nie patrzeć bezpośrednio w wiązkę lasera.
Urządzenie laserowe klasy 2
λ: 650nm; P≤1mW
EN 60825-1:2014



Niebezpieczeństwo! Tarcza tnąca powinna być ostra.



Nie narażaj na działanie deszczu



Szerokość cięcia



Liczba zębów tarczy



Zgodność CE



Znak zgodności EurAsian



Ukraiński znak zgodności



Przed uruchomieniem urządzenia prosimy uważnie przeczytać instrukcję



Zużyte produkty elektryczne nie powinny być utylizowane z odpadami domowymi. Prosimy poddawać recyklingowi w odpowiednich miejscach. Informacje o właściwych metodach recyklingu można uzyskać u władz lokalnych lub sprzedawcy.

SYMBOLE W INSTRUKCJI



Podłączyć do źródła zasilania.



Odłączyć od źródła zasilania.



Części lub akcesoria sprzedawane oddzielnie



Blokada



Odkręcenie uchwytu



Uwaga

Poniższe symbole i nazwy które im nadano, pozwalają wyjaśnić różne poziomy ryzyka związanego z używaniem tego narzędzia.

⚠ NIEBEZPIECZEŃSTWO

Oznacza bezpośrednio niebezpieczną sytuację, która, jeśli nie zostanie uniknięta, spowoduje śmierć lub poważne urazy ciała.

⚠ OSTRZEŻENIE

Oznacza potencjalnie niebezpieczną sytuację, która, jeśli nie zostanie uniknięta, może spowodować śmierć lub poważne urazy ciała.

⚠ UWAGA

Oznacza potencjalnie niebezpieczną sytuację, która, jeśli nie zostanie uniknięta, może spowodować niewielkie lub umiarkowane urazy ciała.

UWAGA

(Bez symbolu bezpieczeństwa) Wskazuje na sytuację mogącą spowodować straty materialne.



Při návrhu kotoučové pily byl kladen obzvláštní důraz na bezpečnost, výkon a spolehlivost.

ZAMÝŠLENÉ POUŽITÍ

Kotoučovou pilu smí používat pouze dospělé osoby, které si přečetly a řádně pochopily pokyny a varování v tomto návodu, a mohou být považovány za zodpovědné za své činy.

Produkt je určen pro podélné příčné řezání dřeva nebo podobných materiálů do maximální hloubky 54 mm. Produkt může provádět rovné nebo zkosené řezy v rozpětí 0 a 45 stupňů. Je určena k používání se základnou nástroje, k níž přiléhá obrobek. Pilu je vhodné používat v suchých, dobře osvětlených a ventilovaných prostorech.

Toto nářadí je určeno k ručnímu používání. Pokud výrobce pily neposkytuje konkrétní pokyny k takovému postupu, není nástroj určen k montáži na pracovní stůl. Nepoužívejte pro řezání kovu ani zdiva.

Nepoužívejte výrobek jinak než je uvedeno v určeném použití. Použití elektricky poháněného nástroje pro práce jiné, než zamýšlené by mohlo mít za následek nebezpečnou situaci.

VAROVÁNÍ

Přečtěte si pozorně upozornění, pokyny a technické specifikace dodané s nářadím a prohlédněte si ilustrace. Nedodržení uvedených pokynů může způsobit požár, úraz elektrickým proudem a/nebo jiné vážné zranění.

Uchovejte si všechny pokyny a varování pro budoucí nahlédnutí.

BEZPEČNOSTNÍ UPOZORNĚNÍ KE KOTOUČOVÉ PILE

POSTUP PŘI ŘEZÁNÍ

NEBEZPEČÍ

Udržujte ruce mimo oblast řezání a kotouč. Jednou rukou držte hlavní rukojeť a druhou rukou přídatnou rukojeť nebo ruku položte na kryt motoru. Tak se nemůže stát, že se vaše ruce dostanou do dráhy řezu nebo do dráhy pilového kotouče.

- **Nesahejte pod obrobek.** V tomto místě ochranný kryt kotouče neposkytuje ochranu, neboť nezakrývá kotouč.
- **Nastavte hloubku řezu podle síly řezaného materiálu.** Zuby pilového kotouče se při řezání nesmí zcela dostat pod úroveň řezaného materiálu.
- **Opracovávaný kus NIKDY nepřidržíte rukou v oblasti řezu a ani jej nedržíte mezi nohama.** Upevněte řezaný materiál do stabilního držáku. Řádné upevnění řezaného dílu je základním předpokladem bezpečného řezání. Správné upevnění zamezuje ohýbání pilového kotouče. Navíc budete mít nářadí pod kontrolou.
- **Pokud by řezný nástroj elektrického nářadí mohl přijít do styku se skrytými vodiči nebo vlastním**

napájecím přívodem, držte jej během používání pouze na izolovaných plochách. Kontakt s „živým“ vodičem způsobí, že kovové části elektrického nástroje se stanou také „živými“ a způsobí obsluze elektrický úraz.

- **Při provádění přímého (paralelního) řezu používejte vodičko nebo vodičí lištu.** Zvýší se přesnost řezu a omezí se riziko ohýbání kotouče.
- **Vždy používejte kotouč odpovídající velikosti a tvaru s vhodným upínacím průměrem.** Pilové kotouče s nesprávným upínacím průměrem se nebudou správně otáčet na hřídeli. Navíc existuje riziko, že ztratíte kontrolu nad nářadím.
- **Nikdy nepoužívejte poškozené nebo nevhodné šrouby a příruby.** Příruby a šrouby jsou specifické pro váš model pily a jsou zárukou bezpečnosti nářadí a optimálního výkonu.

ZPĚTNÝ VRH A SOUVISEJÍCÍ VAROVÁNÍ:

- Zpětný ráz je náhlá reakce na přichycený, zaseknutý nebo špatně zarovnaný pilový kotouč;
- Když je kotouč pevně přichycený nebo zaseknutý v zářezu, kotouč se zastaví a reakcí motoru se produkt rychle strhne směrem k uživateli;
- Pokud se pilový kotouč ohne nebo není v zákrytu, zuby v zadní části pilového kotouče se mohou zabořit do dřeva. Tím se pilový kotouč vymrští směrem k uživateli.

Zpětný vrh je tudíž způsoben nesprávným používáním nářadí a/nebo nevhodným postupem při řezání, případně nevhodnými podmínkami řezání. Zpětnému vrhu - vymrštění nářadí lze předcházet dodržováním několika základních opatření.

- **Držte pevně nářadí oběma rukama a paže mějte v takové poloze, abyste mohli zabránit případnému vymrštění nářadí. Při řezání stůjte po straně pily, nikdy v ose dráhy pilového kotouče.** Při zpětném vrhu dojde k náhlému vymrštění pily dozadu směrem k uživateli, ovšem tento pohyb lze kontrolovat, pokud si je uživatel nebezpečí vědom a je na něj připraven.
- **Pokud dojde k zablokování kotouče v řezaném materiálu, dejte prst ze spouštěče a ponechte pilový kotouč v řezaném materiálu, dokud se nepřestane točit. Nikdy se nepokoušejte pilu odtáhnout od obrobku nebo táhnout pilu zpět, když je kotouč v pohybu nebo nastane zpětný vrh.** Pokud pilový kotouč uvízne v řezaném materiálu, pokuste se nalézt příčinu a proveďte opravu, aby k zablokování kotouče již nemohlo dojít.
- **Než znovu uvedete pilu do provozu a budete pokračovat v řezu, srovnajte pilový kotouč přesně s dráhou řezu a zkontrolujte, zda se zuby pilového kotouče nedotýkají řezaného materiálu.** Pokud se kotouč prohýbá, dojde při opětovném spuštění k vysunu nebo zpětnému rázu z obrobku.
- **Při řezání dlouhých dílů je nutné používat podpěru, aby pilový kotouč neměl sklony v materiálu blokovat. Tím se omezí nebezpečí vymrštění pily.** Dlouhé díly mají tendenci se prohýbat v důsledku své vlastní váhy. Dlouhé díly můžete podepřít z obou stran, v blízkosti dráhy řezu a na konci řezaného dílu.





- **Nepoužívejte poškozené nebo tupé pilové kotouče.** Tupé nebo nesprávně nasazené pilové kotouče jsou zdrojem tření, které zvyšuje riziko ohnutí kotouče a jeho vymrštění z řezaného materiálu.
- **Než začnete řezat, zkontrolujte, zda jsou knoflík pro blokování řezné hloubky a knoflík pro nastavení naklopení řádně utaženy.** Pokud by v průběhu řezání došlo ke změně polohy pilového kotouče, pilový kotouč by se mohl zablokovat v řezaném materiálu a způsobit zpětný vrh.
- **Buďte velmi opatrní, když řezáte do zdi nebo jiných slepých oblastí.** Pilový kotouč by mohl narazit na skryté předměty a mohlo by dojít k vymrštění kotouče směrem na uživatele.

FUNKCE SPODNÍHO KRYTU

- **Před každým použitím pily zkontrolujte, zda dolní ochranný kryt správně překrývá pilový kotouč. Kotoučovou pilu nepoužívejte, pokud kryt pilového kotouče nelze snadno ovládat nebo jím nelze volně pohybovat. Nikdy neblokuje dolní kryt pilového kotouče v otevřené poloze.** Pokud by došlo k nechtěnému pádu pily, dolní kryt pilového kotouče by se mohl ohnout. Zdvihněte dolní kryt pilového kotouče pomocí páčky a zkontrolujte, zda lze ochranným krytem snadno pohybovat, zda se nedotýká pilového kotouče ani žádného jiného dílu pily, bez ohledu na nastavenou hloubku a úhel řezu.
- **Zkontrolujte, zda je v dobrém stavu pružina dolního ochranného krytu. Pokud ochranný kryt nebo pružina nepracují správně, nechte je opravit nebo vyměnit, než začnete s pilou pracovat.** Spodní kryt může fungovat liknavě z důvodu poškození dílů, lepiových usazenin nebo nahromadění nečistot.
- **Spodní kryt se ručně může zasouvat pouze pro speciální řezy, například „zanořovací řezy“ a „kombinované řezy“.** Dolní ochranný kryt zvedněte pomocí páčky. Jakmile se pilový kotouč dostane do záběru s řezaným dílem, pusťte dolní ochranný kryt. U všech ostatních typů řezů se dolní ochranný kryt sklopí automaticky.
- **Než postavíte pilu na pracovní stůl nebo na zem, zkontrolujte vždy, zda dolní ochranný kryt zakrývá pilový kotouč.** Pokud pilový kotouč není správně chráněn krytem, může se otáčet na základě setrvačnosti a přefíznout vše, co se nachází v dráze řezu. Při řezání nezapomeňte, že po vypnutí motoru se pilový kotouč ještě chvíli otáčí.

BEZPEČNOSTNÍ POKYNY K ŘEZNÝM KOTOUČŮM NA ŘEZÁNÍ DŘEVA

- Před použitím kotoučové pily a elektrického nástroje si pečlivě přečtěte pokyny v příručce.
- Elektrický nástroj musí být v dobrém stavu, včetně musí být prosté deformací a vibrací.
- Nepoužívejte pilu bez ochranných krytů namontovaných v příslušné poloze. Udržujte kryty v provozuschopném stavu a řádně je udržujte.
- Ujistěte se, že je obsluha dostatečně proškolená v bezpečnostních opatřeních, nastavení a práci s elektrickým nástrojem.

- Při používání elektrického nástroje vždy noste brýle a chrániče sluchu. Doporučujeme nosit rukavice a pevné, protiskluzové boty.
- Před použitím doplňku pečlivě přečtěte návod k používání. Při nesprávném používání příslušenství může dojít ke škodám a může se zvyšovat riziko zranění.
- Používejte pouze kotouče určené manuálem, dle EN 847-1.
- Sledujte maximální rychlost kotouče, vyznačenou na pilovém kotouči. Ujistěte se, že je rychlostní značení pilového kotouče alespoň stejné jako rychlostní značení na pile.
- Vždy používejte kotouč odpovídající velikosti a tvaru s vhodným upínacím průměrem. Pilové kotouče s nesprávným upínacím průměrem se nebudou správně otáčet na hřídeli. Navíc existuje riziko, že ztratíte kontrolu nad nářadím.
- Nepoužívejte kotouče o menším či větším průměru, než doporučeném. Nepoužívejte distanční vložky pro upevnění kotouče na vřeteno.
- Před každým použitím zkontrolujte výčnělky řezného kotouče, zda nejsou poškozeny nebo nevykazují vzhledové anomálie. Poškozené či uvolněné výčnělky mohou při používání odlétnout a případně způsobit zranění osob.
- Nepoužívejte prasklé nebo polámané pilové kotouče. Nepoužívejte poškozené nebo deformované pilové listy.
- Řezný kotouč zlikvidujte, je-li poškozen, zdeformován, zkroucen či je-li prasklý. Kotouč není dovoleno opravovat.
- Nepoužívejte HSS kotouče.
- Ujistěte se, že je pilový kotouč před použitím správně namontován. Před použitím bezpečně utáhněte šroub řezného kotouče (utahovací moment 10-15 Nm).
- Upevňovací šroub a matice musí být utaženy vhodným klíčem.
- Není dovoleno používat násady utahovacího klíče ani utahovat úderem kladiva.
- Zajistěte, aby všechny kotouče a přírby byly čistě a zahlušené strany objímek byly proti kotouči.
- Ujistěte se, že se pilový kotouč otáčí ve správném směru.
- Před prací proveďte zkušební řez bez zapnutého motoru tak, aby se dala zkontrolovat poloha nože, funkčnost krytů s ohledem na ostatní části stroje a obrobek.
- Nikdy nenechávejte činný nástroj bez dozoru.
- Nemažte kotouč, když běží.
- Nikdy nečistěte či neudržíte, když stroj ještě běží nebo hlava není v klidové poloze.
- Nikdy se nepokoušejte rychle zastavit elektrické nářadí zablokováním řezného kotouče nástrojem nebo jiným prostředkem. Mohlo by tak neúmyslně dojít k vážným zraněním.
- Před výměnou řezných kotoučů nebo provedením údržby odpojte pilu od napájení el. proudem.



- Při rozbalování a zabalování dejte pozor na řezný kotouč. O ostré výčnělky kotouče se lze snadno poranit.
- Používejte držák či nosíte rukavice při obsluze pilového kotouče.
- Řezný kotouč uchovávejte a uskladněte v originálním obalu nebo v jiném vhodném obalu. Uchovávejte v suchém prostředí a odděleně od chemikálií, které by mohly čepel poškodit.

⚠ VAROVÁNÍ

- Noste ochranu sluchu a zraku.
- Zabraňte přehřátí špiček nože. Nepoužívejte poškozené nebo tupé pilové kotouče. Nepoužívejte nadměrnou sílu na nástroj.
- Vždy používejte doporučené kotouče pily.

DOPLŇUJÍCÍ BEZPEČNOSTNÍ VAROVÁNÍ

- Nepoužívejte brusný kotouč.
- Používejte průměr pilových kotoučů podle označení.
- Vyberte správný pilový kotouč pro řezaný materiál.
- Používejte pouze pilové kotouče s označením otáček stejných nebo vyšších než je označení otáček pily.
- Pokud chcete produkt používat na dřevo a podobné materiály, používejte pouze pilové kotouče doporučené výrobcem, které odpovídají normě EN 847-1.
- Noste respirátor.
- Pouze pro RCS1400: Výkonové špičky způsobují napěťovou fluktuaci a mohou ovlivnit ostatní elektrické přístroje na stejném napájecím okruhu. Připojte výrobek ke zdroji napájení s impedancí rovné $Z_{max}=0.459 \Omega$ pro minimalizaci napěťové fluktuace.

LASEROVÁ BEZPEČNOST (RCS1600)



- Průvodní laserové vodiče vyzařování použité v pile je třídy 2 s maximem $\leq 1\text{mW}$ a vlnovými délkami 650 nm. Nikdy se nedívejte přímo do laserového paprsku. Nedodržení pravidel může způsobit vážné osobní poranění.



Dodaly jsme vám rovněž štítek ve vašem jazyce a nyní vás prosím žádáme, abyste jej nalepili na anglický text varovného štítku před prvním uvedením stroje do provozu.

- Nedívejte se do paprsku během práce.
- Nemířte přímo laserový paprsek do očí ostatních. Následkem může být vážné zranění oka.
- Neumísťujte laser do polohy, která může způsobit, že se jiná osoba (y) dívají ať už náhodně nebo úmyslně do laserového paprsku.

- Nepoužívejte optické nástroje pro sledování laserového paprsku.
- Nepoužívejte laser blízko dětí nebo nenechte děti pracovat s tímto laserem.
- Nepokoušejte se sami laserové zařízení opravovat.
- Nezkoušejte sami měnit jakoukoliv část laserového zařízení.
- Opravy smí být prováděny jen kvalifikovaným výrobcem laseru nebo pověřeným pracovníkem.
- Neměňte laser za jiný typ.

ZBYTKOVÁ RIZIKA

Dokonce, i když se výrobek provozuje jak je předepsáno, je stále nemožné zcela eliminovat veškeré zbytkové rizikové faktory. Následující nebezpečí mohou nastat při používání; vyhybejte se:

- Poranění způsobené zpětným rázem
 - Přečtěte si informace v této příručce a ujistěte se, že jste jim porozuměli.
- Zranění způsobené prachem
 - Prach může vniknout do očí nebo dýchací soustavy. Vždy noste adekvátní ochranu zraku. Používejte vhodnou masku s protiprachovými filtry na ochranu dýchacích cest proti částicím z řezaného materiálu. V pracovní oblasti výrobku nejíst, nepít, ani nekouřit. Zajistit dostatečné větrání pracoviště.
- Zranění způsobená elektrickým proudem
 - Kotouč se může dotknout skrytého elektrického vedení, což může způsobit, že část výrobku se stane živou. Vždy držte produkt za určené rukojeti a dejte pozor při řezání naslepo do stěn a podlah, kde mohou být skryty kabely.

POZNÁMKA: Při práci na stěnách, stropce nebo podlahách buďte opatrní a vyhněte se elektrickým kabelům a plynovému nebo vodnímu potrubí.

- Poranění způsobená kontaktem s kotoučem
 - Kotouče jsou velmi ostré a během používání se zahřívají. Při výměně kotouče noste ochranné rukavice. Udržujte vždy ruce v bezpečné vzdálenosti od řezného prostoru. Opracovávaný kus NIKDY nepřidržíte rukou v oblasti řezu a ani jej nedržte mezi nohama. Upínejte obrobek kdykoli je to možné.
- Poranění způsobené vibracemi
 - Limit expozice. Viz "Snižování Rizik".

SNÍŽENÍ RIZIKA

Bylo zjištěno, že vibrace z nástrojů mohou u některých osob přispívat ke stavu tzv Raynaud's Syndrome (Raynaudovu syndromu). Mezi jeho příznaky patří brnění, necitlivost a zblednutí prstů, patrně obvykle po pobytu v chladu. Vědci se domnívají, že k rozvoji těchto příznaků přispívají dědičné faktory, pobyt v chladu a vlhku, strava, kouření a pracovní návyky. Uživatel může omezit případné působení vibrací použitím vhodných opatření:

- Za chladného počasí se teple oblečte. Při práci s nástrojem si navlékněte rukavice, abyste udrželi ruce a zápěstí v teple. Bylo zjištěno, že chladné počasí je

hlavním faktorem přispívajícím k Raynaud's Syndrome (Raynaudovu syndromu).

- Během práce si v pravidelných intervalech zacvičte, abyste zvýšili krevní oběh.
- Zařazujte časté pracovní přestávky. Omezte dobu práce za den.

Jakmile pocítíte některý z výše uvedených příznaků tohoto syndromu, okamžitě přerušte práci a vyhledejte lékaře.

VAROVÁNÍ

Poranění mohou být způsobena, či zhoršena, prodlouženým používáním nástroje. Když používáte jakýkoliv nástroj delší dobu, dělejte pravidelné přestávky.

SEZNAMTE SE S VÝROBKEM

Viz strana 135.

1. Spoušť
2. Pojistka proti nechtěnému spuštění nářadí
3. Horní ochranný kryt pilového kotouče
4. Adaptér pro odsávání prachu
5. Páka dolního ochranného krytu pilového kotouče
6. Šroub na řezný kotouč
7. Dolní ochranný kryt pilového kotouče
8. Rukojeť s izolací a protiskluzovým povrchem
9. Měřítka úhlu
10. Nastavení měřítka úhlu
11. Zámek vodítka odřezávání
12. Základová deska
13. Laserová hlava (RCS1600)
14. Pilový kotouč
15. Servisní utahovací klíč
16. Sundavací doraz

ÚDRŽBA

VAROVÁNÍ

Výrobek nikdy nepřipojujte ke zdroji napájení, když se montují díly, provádí seřizování, čištění, údržba nebo když se nepoužívá. Odpojení nářadí od zdroje energie zabrání nechtěnému spuštění, které by mohlo způsobit vážné poranění.

VAROVÁNÍ

Při provádění servisu používejte pouze originální příslušenství, doplňky a náhradní díly výrobce. Použití jakýchkoliv jiných dílů může vytvořit nebezpečí nebo způsobit poškození výrobku.

VAROVÁNÍ

Nikdy nenechte přijít brzdové kapaliny, petrolej, výrobky založené na petroleji, pronikavé oleje, atd. do kontaktu s plastovými součástmi. Tyto výrobky obsahují chemikálie, které mohou poškodit, oslabit nebo zničit plastové části, případně snížit jejich životnost a být příčinou úrazu.

- Vyhněte se používání rozpouštědel, když čistíte plastové díly. Většina ředidel běžně dostupných v obchodní síti se nehodí k čištění plastových částí, neboť narušuje povrch plastů. K odstranění nečistot, prachu apod. používejte čistý hadr.
- Ujistěte se, že jste pilu odpojili od zdroje napájení před montáží a demontáží pilového kotouče. Produkt a systém vodítek vyčistěte čistou tkaninou.
- Vždy noste bezpečnostní brýle nebo bezpečnostní brýle s postranními štítky, když obsluhujete elektricky poháněný nástroj nebo při rodmýchávání (tvorbě) prachu. Pokud pracujete v prachu, noste také respirátor.
- Je-li napájecí kabel poškozen, musí být nahrazen speciálním kabelem nebo sestavou u výrobce nebo u jeho servisního zástupce.
- Pro větší bezpečnost a spolehlivost by veškeré opravy měly být prováděny autorizovaným servisním střediskem.

MAZÁNÍ

Veškerá ložiska nářadí byla výrobcem namazána dostatečným množstvím vysoce účinného maziva, které stačí na celou dobu životnosti produktu při normálních podmínkách používání. Žádné další mazání nářadí není nutné.

OCHRANA ŽIVOTNÍHO PROSTŘEDÍ



V rámci možností neodhazujte vysloužilé nářadí do domovního odpadu a upřednostněte jeho recyklaci. V souladu s předpisy na ochranu životního prostředí odkládejte vysloužilé nářadí, příslušenství i obalový materiál do tříděného odpadu.

SYMBOLY NA VÝROBKU



Bezpečnostní výstraha

V

Napětí

Hz

Hertz

~

Střídavý proud

W

Watt

n_o

Otáčky naprázdno

min⁻¹

Počet otáček nebo pohybů (kmitů) za minutu



Třída II, dvojité izolováváno



Dřevo



Neřezejte kov



Noste ochranu sluchu

- EN
- FR
- DE
- ES
- IT
- NL
- PT
- DA
- SV
- FI
- RU
- PL
- CS
- HU
- RO
- LV
- LT
- ET
- HR
- SL
- SK
- BG
- UK
- TR
- EL



Noste ochranu očí



Laserové záření.
Neďivejte se do paprsku.
Laserový výrobek třídy 2
 λ : 650nm; $P \leq 1\text{mW}$
EN 60825-1:2014



Nebezpečí! Ostrý kotouč.



Nevystavujte dešti



Šířka řezu



Zub kotouče



Shoda CE



Euroasijská značka shody



Ukrajinská značka shody



Před spuštěním přístroje si řádně přečtěte pokyny.



Odpad elektrických výrobků se nesmí likvidovat v domovním odpadu. Recyklujte prosím na sběrných místech. Ptejte se u místních úřadů nebo prodejce na postup při recyklaci.

vysvětlení úrovní nebezpečí spojených s tímto výrobkem.

NEBEZPEČÍ

Upozorňuje na bezprostředně nebezpečnou situaci, která vede k usmrcení nebo těžkému zranění.

VAROVÁNÍ

Upozorňuje na možnou nebezpečnou situaci, která by mohla vést ke smrtelnému úrazu nebo k závažnému zranění.

POZOR

Upozorňuje na možnou nebezpečnou situaci, která může vést k menšímu nebo lehkému zranění.

POZOR

(Bez bezpečnostního výstražného symbolu) Určuje situaci, která může mít za následek vážné poškození.

SYMBOLY POUŽITÉ V NÁVODU



Připojte k elektrické síti.



Odpojte od elektrické sítě.



Díly nebo příslušenství jsou v prodeji samostatně



Zamknuto



Odemknuto



Poznámka

Následující signální slova a významy jsou vhodné pro



A körfűrész kialakítása során elsődleges szempont volt a biztonság, a teljesítmény és a megbízhatóság.

RENDELTETÉSSZERŰ HASZNÁLAT

A körfűrész kizárólag olyan felnőttek használhatják, akik elolvasták és megértették a kézikönyv utasításait és figyelmeztetéseit, és tetteikért felelősséget tudnak vállalni.

A terméket úgy alakították ki, hogy legfeljebb 54 mm-es mélységben lehessen vele hasító és keresztvágást végezni fában vagy hasonló anyagokban. A termék egyenes vagy ferde vágásra alkalmas 0 és 45 fok között. Az eszköznek a munkadarabbal érintkező alapvázával együtt kell használni. Kizárólag száraz, jól megvilágított és jól átszellőztetett térben használható.

A terméket kézi használatra tervezték. A terméket nem szabad munkapadra szerelni, kivéve, ha a fűrész gyártója ennek módjáról konkrét útmutatást ad. Ne használja fémek és falazatok vágására.

Ne használja a terméket a rendeltetésétől eltérő célra. A szerszámgép rendeltetésétől eltérő műveletekre való használata veszélyes helyzeteket eredményezhet.

FIGYELEM

Figyelmesen olvassa el az ehhez a szerszámhoz mellékelt összes figyelmeztetést, utasítást és műszaki adatokat, valamint tanulmányozza az ábrákat is. Az alább részletezett előírások be nem tartása olyan baleseteket okozhat, mint pl. tűz, áramütés és/vagy súlyos testi sérülések.

A jövőbeli felhasználásra őrizze meg az összes figyelmeztetést és útmutatót.

BIZTONSÁGI FIGYELMEZTETÉSEK A KÖRFŰRÉSZHEZ

VÁGÁSI ELJÁRÁSOK

VESZÉLY

A kezét tartsa távol a vágási területtől és a fűrészlaptól. Az egyik kezével a szerszám fő markolatát, a másikkal pedig a segédgöngyöt kell fogni, vagy pedig a motor védőburkolatra (motorház) kell helyezni. Ily módon a kezei soha nem kerülnek a vágási területre, sem pedig a fűrészláncra meghosszabbított síkjába.

- **Ne nyúljon a munkadarab alá.** ezen a helyen a fűrészláncsavvédő nem takarja a fűrészláncát.
- **A vágásmélységet a munkadarab vastagságának megfelelően állítsa be.** A vágás során a fűrészláncsa fogai nem szabad, hogy teljesen a munkadarab alá menjenek.
- **SOHA ne tartsa a munkadarabot kézzel ill. a lábai közé szorítva.** A vágásra kerülő darabot egy stabil tartóeszközzel kell rögzíteni. A munkadarab helyes rögzítése elsődleges fontossággal bír a sérülésveszélyek elkerülése érdekében, valamint hogy ne hajoljon meg a fűrészláncsa, így a vágás során ne

veszítse el uralmát a szerszám felett.

- **Ha a nagy teljesítményű gépet olyan műveletnél használja, ahol a vágószerszám rejtett vezetőekkel vagy saját zsinórjával érintkezhet, akkor azt csak a szigetelt fogófelületnél tartsa meg.** Az „élő” vezetőekkel való érintkezés következtében a szerszám fém alkatrészei áram alá kerülnek, minek következtében a kezelőt áramütés érheti.
- **Használjon mindig párhuzamvezetőt vagy egy egyenes lécet, amikor párhuzamos vágást hajt végre.** A vágást pontosabban lehet így módon kivitelezni, valamint a fűrészláncsa eldeformálódásának veszélye is elkerülhető.
- **Kizárólag olyan tárcsákat használjon, melyek mérete és formája megfelel a tengely furatátmérőjének.** Egy, a hajtótengelynek nem megfelelő fűrészláncsa nem fog megfelelőképp fogorni, és így ahhoz vezethet, hogy elveszíti uralmát a gép felett.
- **Soha ne használjon sérült- ill. nem megfelelő fűrészláncsa csavart és alátétet.** A tárcsa alátétek és csavarok speciálisan az adott típusú fűrészhez lettek kifejlesztve - a maximális biztonság és teljesítmény érdekében.

A VISSZARÚGÁS OKAI ÉS KAPCSOLÓDÓ FIGYELMEZTETÉSEK:

- A visszaütés a szerszám hirtelen reakciója a fűrész beakadására, beszorulására vagy hibás beállítására, amely miatt az irányítást vesztett fűrész felfelé, a munkadarabból kifelé és a kezelő irányába emelkedik;
- Amikor a bevágás beszűkülése miatt a penge beakad vagy beszorul, a penge megáll, és a motor reakciója az egységet gyorsan a kezelő felé löki;
- Ha a fűrészláncsa elgörbül, vagy rosszul van beállítva, a tárcsa hátulján elhelyezkedő fogak belefúródhatnak a fa felületébe, és ez a fűrészláncsát a munkadarabbról hirtelen a szerszámot használó személy irányába vetheti.

A megugrás ily módon a szerszám nem megfelelő használatának és/vagy a helytelen vágási módoknak / körülményeknek az eredménye. Néhány óvintézkedés meghozatalával és figyelmes betartásával azonban elkerülhető ez a veszélyes jelenség.

- **Tartsa erősen, két kézzel a fűrész és oly módon helyezze át a kezeit, hogy egy esetleges megugrást kontrollálni tudjon.** Munka közben mindig a fűrész egyik oldalára helyezkedjen, és soha ne legyen a fűrészláncsa meghosszabbított síkjában. Megugrás esetén a fűrész hirtelen hátravetődik, de ezt a reakciót kontrollálni lehet, amennyiben a használó a jelenség tudatában van, és felkészül rá.
- **Ha a fűrészláncsa beszorul, vagy valamilyen okból kifolyólag meg kell szakítania a vágást, engedje el a kapcsolót, és tartsa a fűrész a munkadarabon ameddig, amíg a tárcsa forgása teljesen le nem áll. Ne próbálja eltávolítani a fűrész a munkadarabból vagy visszahúzni a fűrész, miközben a fűrészlap még mozogásban van, mert visszarágás történhet.** Ha a fűrészláncsa beszorul, keresse meg az okát, és hozza meg a szükséges intézkedéseket ahhoz, hogy ez ne ismétlődhesen meg újra.





- **Mielőtt a vágás folytatásához újraindítaná a fűrészzt, igazítsa a tárcsát pontosan a fűrésznyomba és ellenőrizze, hogy a fogak nem érnek-e a munkadarabhoz.** Ha a fűrészpenge elakad, felfelé mozdulhat vagy kiugorhat a munkadarabból a fűrész újraindításakor.
- **Ügyeljen arra, hogy a hosszú munkadarabokat támassza alá, ily módon elkerülhető, hogy a fűrész tárcsa beszoruljon, és ezáltal csökkenti a megugrás veszélyét.** A hosszú munkadarabok meghajolhatnak a súlyuk alatt. A munkadarabot ajánlatos két helyen alátámasztani, az egyik a vágásvonalhoz közel, a másik pedig a munkadarab végén legyen.
- **Ne használjon életlen ill. megrongálódott fűrész tárcsát.** Az életlen, vagy rosszul felszerelt fűrész tárcsák használatakor a fűrésznyom túl keskeny és így a tárcsa nagyon sűrűdik, ezáltal nagyobb a torziós igénybevétel- és a megugrás veszélye.
- **Mielőtt a vágáshoz kezdene, ellenőrizze, hogy a vágásmélység- és szögbeállító gombok megfelelően rögzítve vannak-e.** Ha a fűrész tárcsa pozícióját befolyásoló beállítások a vágás során módosulnak, a tárcsa beszorulhat és megnő a megugrás veszélye.
- **Különös figyelemmel járjon el, ha egy már meglévő falat fűrészrel vagy más nem látható területen végez munkát a géppel.** A fűrész tárcsa ilyenkor szemmel nem látható, a felület által rejtett tárgyakkal / szerkezeti elemekkel érintkezhet, és ez megugrást idézhet elő.

BIZTONSÁGI UTASÍTÁSOK A FAANYAGVÁGÓ KORONGHOZ

ALSÓ VÉDŐBURKOLAT FUNKCIÓ

- **Minden használat előtt ellenőrizze, hogy az alsó fűrész tárcsavédő megfelelőképp takarja-e a tárcsát.** Ne használja a fűrészzt, ha az alsó fűrész tárcsavédőt nem lehet szabadon mozgatni ill. ha nem záródik azonnal a tárcsára. Soha ne rögzítse, ill. kösse ki nyitott állapotban az alsó fűrész tárcsavédőt. Ha véletlenül leesik a fűrész, az alsó fűrész tárcsavédő meghajolhat. A kar segítségével emelje fel a tárcsavédőt, és bizonyosodjon meg arról, hogy nehézség nélkül mozgatható, valamint hogy se a fűrész tárcsához, se bármilyen más alkatrészhez nem ér, bármilyen legyen is a vágás szöge és mélysége.
- **Bizonyosodjon meg arról, hogy az alsó fűrész tárcsavédő rugója jó állapotban van és helyesen működik.** Amennyiben a fűrész tárcsavédő vagy a rugó nem megfelelőképp működik, javíttassa meg, vagy cseréltesse ki az adott elemet, mielőtt a fűrészzt használatba venné. Az alsó védőburkolat nehézkesen mozoghat sérült alkatrészek, gumilera kódások vagy a túl sok lerakódott szennyeződés miatt.
- **Az alsó védőburkolat manuálisan is visszahúzható, de ez csak a speciális vágásokhoz, például „beszúró vágásokhoz” és „kombinált vágásokhoz” engedélyezett.** A kar segítségével emelje fel az alsó fűrész tárcsavédőt. Ezután engedje el, amint a fűrész tárcsa belekap a munkadarabba. Bármilyen más típusú vágáshnál az alsó fűrész tárcsavédő automatikusan kerül a helyére.
- **Mielőtt a fűrészzt egy munkaasztalra vagy a földre tenné, mindig ellenőrizze, hogy az alsó fűrész tárcsavédő jól takarja-e a tárcsát.** Ha a fűrész tárcsa nincs megfelelőképp takarva, lendületből mozoghat, és elvághatja azt, ami az útjába kerül. Mindig legyen tudatában annak, hogy a fűrész tárcsa bizonyos ideig még forog a motor leállása után.
- Kérjük, gondosan olvassa el a kézikönyvet és az utasításokat, mielőtt használná a fűrészkorongot és a meghajtó eszközt.
- A meghajtó eszköznek megfelelő állapotban kell lennie, a tengelynek deformációtól és rezgéstől mentesen kell forognia.
- Ne használja a körfűrészzt, ha a védőelemek nincsenek a helyükön. A védőberendezések legyenek működőképes, megfelelően karbantartott állapotban.
- Ügyeljen arra, hogy a kezelő a biztonsági óvintézkedésekkel, a meghajtó eszköz beállításával és kezelésével kapcsolatban megfelelően képzett legyen.
- Mindig viseljen védőszemüveget és hallásvédelmet a meghajtó eszköz használata során. Javasoljuk, hogy viseljen védőkesztyűt és tartós, csúszásmentes cipőt.
- Bármilyen tartozék használata előtt olvassa el a használati útmutatót. Bármely tartozék helytelen használata az eszköz károsodását okozhatja, és növelheti a sérülésveszélyt.
- Csak az útmutatóban meghatározott fűrészlapot használjon, amely megfelel az EN 847-1 előírásainak.
- Ügyeljen a fűrészlapon látható maximális fordulatszámra. Ügyeljen arra, hogy a fűrészlap oldalán megadott fordulatszámérték legalább annyi legyen, mint a fűrészzen megadott.
- Kizárólag olyan tárcsákat használjon, melyek mérete és formája megfelel a tengely furatátmérőjének. Egy, a hajtótengelynek nem megfelelő fűrész tárcsa nem fog megfelelőképp forogni, és így ahhoz vezethet, hogy elveszíti uralmát a gép felett.
- Ne használjon az ajánlottnál nagyobb vagy kisebb átmérőjű fűrészlapokat. Ne használjon távtartókat ahhoz, hogy a fűrészlap illeszkedjen az orsóra.
- Használat előtt ellenőrizze a fűrészkorong éleit, nem sérültek-e meg, és nem tűnnek-e szabálytalannak. A sérült vagy kilazult fűrészkorong élek használata közben elrepülhetnek, és megnövelhetik a személyi sérülés kockázatát.
- Tilos repedt vagy deformált fűrészlapot használni! Ne használjon sérült vagy deformálódott vágólapot.
- Selejtezze le a fűrészkorongot, ha megsérült, eldeformálódott, eltorzult vagy megrepedt, javítása tilos.
- Ne használjon HSS fűrészlapokat.
- Használat előtt győződjön meg róla, hogy a fűrészlap megfelelően rögzítve van. Használat előtt szorítsa meg jól a korong csavarját (a meghúzási nyomaték kb. 10-15 Nm).
- Megfelelő csavarkulccsal kell megszorítani a csavart és az anyákat.





- A csavarkulcs meghosszabbítása, illetve a rá kifejett kalapácsütésekkel történő megszorítás tilos.
- Ellenőrizze, hogy a teljes fűrészlap és peremek tiszták, és a gallér rovatkás oldala van a fűrészlapnál.
- Ellenőrizze, hogy a fűrészlap a megfelelő irányba forog.
- A munka megkezdése előtt bekapcsolt motor nélkül végezzen egy próbavágást a vágótárcsa helyzete, a védőberendezések működése, a gép más részei és a munkadarab helyzete ellenőrzése céljából.
- Soha ne hagyja felügyelet nélkül a működő gépet.
- Ne vigyen fel kenőanyagot a fűrészlapra, ha forog.
- Ne hajtson végre semmilyen tisztítási vagy karbantartási műveletet, ha a gép még forog és a fej nincs nyugalmi pozícióban.
- Soha ne próbálja meg a működő meghajtó eszközt hirtelen, egy eszköz beékelésével vagy a korong bármilyen egyéb fékezésével leállítani. Nem szándékol, súlyos sérülések okozhatók ily módon.
- Válassza le a körfűrész a hálózati tápról vagy az akkumulátorról, mielőtt cserélné a korongot vagy elvégezné a karbantartást.
- Fordítson fokozott figyelmet a korongra a be- és kicsomagolása során. Az éles fogak hegyei könnyen okoznak sérülést.
- Használjon tartót vagy viseljen kesztyűt a fűrészlap kezelésékor.
- A korongot tartsa és tárolja eredeti csomagolásában, vagy egyéb megfelelő csomagolásban. Tartsa száraz körülmények között, távol olyan vegyi anyagoktól, melyek károsíthatják a fűrészlárcsát.

⚠ FIGYELEM

- Viseljen szem- és fülvédőt.
- Kerülje a fűrészlapok szélének túlmelegedését. Ne használjon életlen ill. megrongálódott fűrészlárcsát. Ne erőltesse a gépet.
- Csak javasolt fűrészlapokat használjon a géppel.

TOVÁBBI BIZTONSÁGI FIGYELMEZTETÉSEK

- Soha ne használjon a géppel dörzstárcsát!
- Csak a jelöléseknek megfelelő átmérőjű fűrészlap(ka)t használjon.
- Állapítsa meg, hogy melyik a helyes fűrészlap a vágandó anyaghoz.
- Csak az eszközön jelölt sebességgel egyenlő vagy annál magasabb értéket tartalmazó fűrészlapokat használjon.
- Csak a gyártó által ajánlott, az EN 847-1 szabványnak megfelelő, fához és hasonló anyagokhoz való fűrészpengéket használjon.
- Viseljen pormaszkot.
- Csak RCS1400: A pillanatnyi áramfelvétel kiugrások feszültségingadozást okozhatnak és ez az azonos áramkörbe kapcsolt más elektromos termékek működésére is hatással lehet. A feszültségfluktuációk minimalizálása érdekében a terméket olyan áramforráshoz csatlakoztassa, amelynek impedanciája

Z_{max}=0.459 Ω.

A LÉZER BIZTONSÁGOS HASZNÁLATA (RCS1600)



- A fűrészben használt lézersugár besorolása: Class 2, legfeljebb ≤1mW teljesítménnyel és 650 nm hullámhosszal. Ne nézzen közvetlenül a lézersugárba. A szabályok mellőzése súlyos személyi sérülést eredményezhet.



Egy az Ön nyelven írt szöveget tartalmazó öntapadó címkét adtuk Önnek, és arra kérjük, hogy cserélje le erre az angol nyelvű figyelmeztető címkét a gép első átvétele előtt.

- Ne nézzen a sugárba a gép használata közben.
- Ne irányítsa a lézersugarat mások szemébe. Ez komoly szemsérülést eredményezhet.
- Ne tegye le a lézert olyan helyzetben, hogy valaki szándékosan vagy véletlenül a lézersugár útjába kerülhessen.
- Ne használjon optikai eszközöket a lézersugár láthatóvá tételére.
- Ne használja a lézert gyerekek mellett, és ne engedje, hogy azt gyerekek használják.
- Ne próbálja egyedül megjavítani a lézerberendezést.
- Ne próbálja meg önmaga kicserélni a lézerkészülék egyik alkatrészét sem.
- A javításokat csak a lézer gyártója vagy a hivatalos szerveze végezheti el.
- Ne cserélje ki a lézert más típusúra.

VISSZAMARADÓ KOCKÁZATOK

Még a termék rendeltetésszerű használata esetén sem lehet teljesen kiküszöbölni minden kockázati tényezőt. A gép használata során a következő veszélyek merülhetnek fel, és a kezelőnek különösen oda kell figyelnie az alábbiak elkerülésére:

- Visszarúgás okozta sérülések
 - Olvassa el és értelmezze a kézikönyvben található információkat.
- Por okozta sérülések
 - A por a szemekbe vagy a légzőszervbe kerülhet. Mindig viseljen szemvédőt. Viseljen megfelelő, a vágott anyagból származó szemcsék ellen védő szűrőkel ellátott porvédő maszkot. Ne egyen, igyon vagy dohányozzon a munkaterületen. Biztosítson megfelelő szellőztetést.
- Áramütés okozta sérülések
 - A fűrészlap érintkezhet a nem látható vezetékkel,



ami miatt a termék alkatrészei áram alá kerülhetnek. A terméket mindig a kialakított fogantyúknál fogja, és ügyeljen a falakba és padlóba végzett vakvágásokkor, mert itt rejtett kábelek lehetnek.

MEGJEGYZÉS: Ha falon, mennyezeten vagy padlón dolgozik, vigyázzon az azokban található elektromos kábelekkel, gáz- és vízcsövekkel.

- Fűrészlappal való érintkezés okozta sérülés
 - A fűrészlapok nagyon élesek, és a használat közben felforrósodnak. A fűrészlapok cseréjekor viseljen kesztyűt. A kezéit mindig tartsa távol a vágási területtől. SOHA ne tartsa a munkadarabot kézzel ill. a lábai közé szorítva. Amikor lehetséges, szorítókkal rögzítse a munkadarabot.
- Vibráció okozta sérülések
 - Korlátozza a kitettséget. Lásd "Kockázatos csökkentés".

KOCKÁZATCSÖKKENTÉS

Ismert, hogy a kézi szerszámgépek használata során fellépő vibráció bizonyos személyeknél hozzájárulhat az úgynevezett Raynaud-szindróma (Raynaud's Syndrome) nevű állapot kialakulásához. A tünetei lehetnek: az ujjak zsibbadása, elfehéredése, szúrások érzése, amelyek hidegnek kitéve gyakran felerősödnek. Az örökítő tényezők, a hidegnek kitettség és verejtékezés, a diéta, a dohányzás és munka közben alkalmazott fogások valószínűleg mind hozzájárulhatnak ezen tünetek megjelenéséhez. A vibráció hatásainak csökkentése érdekében a kezelőnek be kell tartani az alábbi óvintézkedéseket:

- Hideg időben tartsa melegen a testét. A gép használatakor viseljen kesztyűt a kéz és a csukló melegen tartásához. Arról számoltak be, hogy a hideg időjárásnak fontos szerepe van a Raynaud-szindróma kialakulásában.
- Bizonyos időtartamú használat után mindig végezzen gyakorlatokat a vérkeringés javításához.
- Gyakran tartson munkaszünetet. Korlátozza a napi munkaidőt.

Ha ezen állapot bármelyik tünetét tapasztalja, azonnal hagyja abba a munkát, és tájékoztassa az orvosát a tünetekről.

▲ FIGYELEM

A gép hosszabb idejű folyamatos használata sérüléseket okozhat vagy súlyosbíthatja a tüneteket. Ha a gépet hosszú időn át kell használnia, tartson gyakran szünetet.

ISMERJE MEG A TERMÉKET

Lásd a 135. oldalon.

1. Kioldókapcsoló
2. Ravasz kireteszelő gomb
3. Felső fűrészlemez-védő
4. Porcsatlakozó adapter
5. Alsó fűrészlemez-védő kar
6. Korongcsavar
7. Alsó fűrészlemez-védő
8. Kar, szigetelt fogófelület

9. Irányszögmérő
10. Irányszög-beállító rögzítő
11. Fűrészezető iránytartó sín
12. Alaplap
13. Lézerfej (RCS1600)
14. Fűrészlemez
15. Szorítókulcs
16. Párhuzamvezető

KARBANTARTÁS

▲ FIGYELEM

Alkatrészek szerelésekor, beállítások végzésekor, tisztítások, karbantartás végzésekor, illetve használaton kívül mindig húzza ki a gépet az elektromos hálózatról. Ha a terméket leválasztja az áramellátásról, megakadályozza a véletlen elindítást, ami komoly sérülést okozhat.

▲ FIGYELEM

Szervizeléskor csak a gyártó eredeti cserealkatrészeit, kiegészítőit és rátéteit használja. Bármilyen más alkatrész használata veszélyes és a termék károsodását okozhatja.

▲ FIGYELEM

A műanyag részek semmilyen körülmények között nem érintkezhetnek fékolajjal, benzinnel, petróleum alapú termékekkel, beszívódó olajokkal stb. Ezek a vegyszerek olyan vegyületeket tartalmaznak, melyek megromláthatják, meglágyíthatják vagy lebontják a műanyagból készült részeket, ami súlyos testi sérüléseket is okozhat.

- A műanyag részek tisztítások tartózkodjon a tisztítószerek használatától. A kereskedelmi forgalomban kapható oldószerek rongáló hatással vannak a műanyagból készült elemek többségére. A por és egyéb szennyeződések stb. tisztítására használjon egy tiszta ruhadarabot
- A fűrészlappal felhelyezése és eltávolítása előtt ügyeljen arra, hogy kihúzza a szerszámot az elektromos hálózatról. Tiszta rongyokkal tisztítsa meg a terméket és a védőrendszert.
- Elektromos szerszámgépek használatakor vagy a por kifúvásakor mindig viseljen védőszemüveget, ami a szemet oldalról is védi. Ha a használat poros környezetben történik, vegyen fel egy pormaszkot is.
- Ha a tápkábel sérült, azt a gyártótól vagy a szervizképviseletől beszerezhető speciális kábellel vagy szerelvényt kell kicserélni.
- A nagyobb biztonság és megbízhatóság érdekében minden javítást hivatalos szervizközpontban kell elvégeztetni.

KENÉS

A termékben lévő összes csapágy a termék teljes élettartamára elegendő kenőanyaggal van feltöltve, normál

körülmények közötti használat esetén. Ebből kifolyólag nincs szükség arra, hogy a gép belső részeit kenje.

KÖRNYEZETVÉDELLEM



Segítse elő az alapanyagok újrahasznosítását azzal, hogy nem helyezi el őket a háztartási szemétkosárba. Környezetvédelmi megfontolásból az elhasznált gépet és tartozékokat, valamint a csomagolóanyagokat szelektív módon kell gyűjteni.

SZIMBÓLUMOK A TERMÉKEN



Biztonsági figyelmeztetés

V

Volt

Hz

Hertz

~

Váltóáram (AC)

W

Watt

n_o

Üresjárat fordulatszám

min⁻¹

Fordulatok ill. löketek száma percenként



II. osztály, kettős szigetelés



Fa



Ne vágjon fémet



Viseljen fülvédőt



Viseljen szemvédőt



Lézersugárzás.
Ne nézzen a lézersugárba.
osztályú lézeres termék
λ: 650nm; P≤1mW
EN 60825-1:2014



Veszély! Éles fűrészlap.



Ne tegye ki esőnek



Vágás szélessége



Fűrészlap fogai



CE megfelelés



Eurázsiai megfelelési jelzés



Ukrainai megfelelési nyilatkozat



A gép bekapcsolása előtt figyelmesen olvassa el az útmutatót.



A kiselejtezett elektromos termékeket nem szabad a háztartási hulladékkal együtt kidobni. Ezeket újra kell hasznosítani, ha van rá lehetőség. Az újrahasznosítással kapcsolatban érdeklődjön a helyi önkormányzatnál vagy a termék forgalmazójánál.

A KÉZIKÖNYVBEN HASZNÁLT SZIMBÓLUMOK



Csatlakoztassa az elektromos hálózathoz.



Húzza ki az elektromos hálózathoz.



Külön értékesített alkatrészek és kiegészítők



Retesz



Szétnyitás



Megjegyzés

A következő jelölőszavak és jelentések arra szolgálnak, hogy megmagyarázzák a termékkel kapcsolatos veszélyességi szinteket.

⚠ VESZÉLY

Egy bekövetkező veszélyes helyzetet jelez, ami, ha nem előzik meg, halált vagy komoly sérülést eredményez.

⚠ FIGYELEM

Egy potenciálisan bekövetkező veszélyes helyzetet jelez, ami, ha nem előzik meg, halált vagy súlyos sérülést eredményezhet.

⚠ VIGYÁZAT

Egy potenciálisan veszélyes helyzetet jelez, ami, ha nem előzik meg, kisebb vagy mérsékelten súlyos sérülést eredményezhet.

VIGYÁZAT

(Biztonsági figyelmeztető szimbólum nélkül) Egy olyan helyzetet jelez, ami anyagi kárt eredményezhet.



Siguranța, performanța și fiabilitatea au fost principalele noastre priorități la proiectarea fierăstrăului dvs. circular.

DOMENIU DE APLICAȚII

Fierăstrăul circular poate fi utilizat doar de persoane adulte care au citit și au înțeles instrucțiunile și avertismentele din acest manual și pot fi considerate responsabile pentru acțiunile proprii.

Produsul este destinat tăierii lemnului perpendicular pe fibră sau în lungul acesteia sau tăierii altor materiale similare până la o adâncime de maxim 54 mm. Produsul poate efectua tăieri drepte sau înclinate între 0 și 45 grade. Trebuie utilizat împreună cu baza aferentă, aflată în contact permanent cu piesa de prelucrat. Trebuie utilizat doar într-un mediu uscat, bine ventilat și iluminat corespunzător.

Produsul este conceput pentru a fi ținut în mână. Produsul nu trebuie montat pe un banc de lucru decât dacă s-au primit din partea producătorului ferăstrăului instrucțiuni specifice despre cum acest lucru poate fi realizat. Nu folosiți pentru tăierea metalului sau a zidăriei.

Nu folosiți produsul în niciun alt fel decât cel menționat pentru folosirea lui destinată. Utilizarea unelei electrice pentru alte operații decât cele preconizate poate duce la situații periculoase.

⚠️ AVERTISMENT

Citiți, cu atenție, toate avertismentele, instrucțiunile și specificațiile furnizate împreună cu aparatul, și consultați ilustrațiile. Nerespectarea instrucțiunilor prezentate în continuare poate provoca accidente cum ar fi incendii, electrocutare și/sau vătămări corporale grave.

Salvați toate avertizările și instrucțiunile pentru o consultare ulterioară.

AVERTISMENTE DE SIGURANȚĂ PRIVIND FIERĂSTRĂUL CIRCULAR

PROCEDURI DE TĂIERE

⚠️ PERICOL

Țineți-vă mâinile la distanță de zona de tăiere și de lamă. Mâna care nu ține mânerul principal al aparatului trebuie să țină mânerul auxiliar sau să fie așezată pe carcasa motorului. Astfel, mâinile dumneavoastră nu riscă să se găsească în zona de tăiere sau pe traiectoria lamei.

- **Nu atingeți partea de sub piesa de lucru.** În acest loc, apărătoarea lamei nu acoperă lama și nu vă poate proteja.
- **Reglați adâncimea de tăiere în funcție de grosimea piesei de prelucrat.** Dinții lamei nu trebuie să depășească în întregime grosimea piesei de prelucrat în timpul tăierii.
- **Nu țineți NICIODATĂ piesa de prelucrat cu mâna sau între picioare.** Fixați-o pe un suport stabil. Este primordial să fixați corect piesa de prelucrat pentru a nu

vă expune riscurilor de rănire și pentru a nu îndoi lama sau a pierde controlul tăierii.

- **Prindeți unealta electrică numai de suprafețele izolate de prindere, atunci când efectuați o operațiune în care unealta de tăiere poate veni în contact cu fire electrice ascunse sau cu propriul cablu.** Contactul cu fire electrice „descoperite” vor face expuse părțile din metal al aparatului electric să fie și ele „descoperite” și poate să electrocuteze operatorul.
- **Utilizați întotdeauna un ghid de tăiere paralelă sau o riglă atunci când efectuați o tăiere paralelă.** Precizia tăierii va fi mai bună și veți evita riscul de îndoire a lamei.
- **Utilizați întotdeauna lame de mărimea și forma adaptate la diametrul axului.** Lamele neadaptate la axul pe care trebuie să fie montate nu se vor roti corect și pot conduce la o pierdere a controlului asupra aparatului.
- **Nu utilizați niciodată șuruburi sau flanșe de lamă defecte sau neadaptate.** Flanșele și șuruburile de lamă au fost concepute special pentru modelul de ferăstrău, pentru o siguranță și o performanță optime.

CAUZE ALE RECULULUI ȘI AVERTIZĂRI PRIVITOARE LA EL:

- reculul este reacția bruscă a lamei de fierăstrău care este îndoită, blocată sau nealinată, determinând fierăstrăul scăpat de sub control să se ridice și să iasă din piesă, spre operator;
- atunci când lama este strânsă sau blocată strâns de fantă, aceasta se oprește, iar motorul în funcțiune face ca unitatea să se îndrepte rapid spre operator;
- Dacă lama se îndoaie sau este aliniată incorect, dinții situați în partea din spate a lamei riscă să intre în suprafața lemnului, ceea ce va face ca lama să iasă brusc din piesa de prelucrat în direcția utilizatorului.

Reculul este deci rezultatul unei utilizări incorecte a aparatului și/sau a procedurilor sau a condițiilor de tăiere incorecte. Reculul poate fi evitat printr-o atenție deosebită acordată respectării unor precauțiuni.

- **Țineți bine ferăstrăul cu ambele mâini și poziționați-vă brațele astfel încât să puteți controla un eventual recul.** Așezați-vă într-o parte a ferăstrăului atunci când lucrați, nu stați niciodată pe direcția lamei. Reculul proiectează brusc ferăstrăul în spate, dar această mișcare poate fi controlată dacă utilizatorul se așteaptă la ea și se pregătește.
- **Dacă lama se blochează, sau dacă trebuie să întrerupeți tăierea din orice motiv, eliberați trăgaciul și mențineți ferăstrăul în piesa de prelucrat până când lama se oprește complet din rotație.** Nu încercați să scoateți ferăstrăul din piesa de lucru și nu trageți ferăstrăul înapoi când pânza se află în mișcare; în caz contrar, poate surveni reculul. Dacă lama se agață, căutați cauza și luați măsurile necesare pentru ca acest lucru să nu se mai repete.
- **Înainte de a reporni ferăstrăul pentru a continua tăierea, aliniați corect lama cu traseul de tăiere și verificați ca dinții lamei să nu atingă piesa de prelucrat.** Dacă lama fierăstrăului se blochează, aceasta se poate mișca sau ieși din piesa de prelucrat,





la repornirea fierăstrăului.

- **Aveți grijă să susțineți piesele de prelucrat lungi pentru a evita ca lama să se agațe și pentru a limita astfel riscurile de reculuri.** Piesele de prelucrat lungi au tendința să se îndoaie sub propria lor greutate. Puteți așeza suporturi pe ambele părți ale piesei de prelucrat, aproape de linia de tăiere și la nivelul capetelor piesei.
- **Nu utilizați lame tocite sau deteriorate.** Lamele care nu sunt ascuțite sau sunt montate necorespunzător vor produce un traseu de tăiere care va duce la o frecare excesivă a lamei și deci la riscuri mai mari de îndoire sau de recul.
- **Înainte de a începe o tăiere, verificați dacă butoanele de reglare a adâncimii și a înclinării sunt blocate corect.** Dacă reglările poziției lamei se modifică în timpul tăierii, lama riscă să se agațe și se poate produce un recul.
- **Folosiți atenție sporită când tăiați în zidăria existentă sau alte zone fără vizibilitate.** Lama ar putea lovi elemente ascunse, ceea ce ar provoca un recul.

FUNCȚIE DE COBORÂRE A APĂRĂTORII

- **Înainte de fiecare utilizare, verificați dacă apărătoarea inferioară a lamei acoperă corect lama. Nu utilizați ferăstrăul dacă apărătoarea inferioară a lamei nu poate fi acționată liber și dacă nu se rabatează instantaneu peste lamă. Nu fixați și nu prindeți niciodată apărătoarea inferioară a lamei în poziție deschisă.** Dacă ferăstrăul ar cădea din greșeală, apărătoarea inferioară a lamei s-ar putea îndoi. Ridicați apărătoarea inferioară a lamei cu ajutorul manetei și asigurați-vă că aceasta poate fi manipulată fără dificultate și că nu atinge nici lama, nici o altă piesă, indiferent de unghiul și de adâncimea de tăiere alese.
- **Asigurați-vă că resortul apărătorii inferioare a lamei este în stare bună și funcționează corect. Dacă apărătoarea lamei sau resortul nu funcționează corect, duceți-le la reparat sau la înlocuit înainte de a utiliza ferăstrăul.** Elementul de protecție inferior poate opera lent din cauza pieselor deteriorate, depunerilor lipicioase sau acumulării de reziduuri.
- **Elementul de protecție inferior poate fi retras manual numai în cazul operațiilor speciale de tăiere, precum „tăieturile înclinate” și „tăieturile compuse”.** Ridicați apărătoarea inferioară a lamei cu ajutorul mânerului. Apoi, de îndată ce lama intră în piesa de prelucrat, eliberați apărătoarea inferioară a lamei. Pentru toate celelalte tipuri de tăieri, apărătoarea inferioară a lamei se așează automat în poziție.
- **Verificați întotdeauna ca apărătoarea inferioară a lamei să acopere bine lama, înainte de a așeza ferăstrăul pe un banc de lucru sau pe sol.** Dacă lama nu este acoperită corect, ea se poate să se rotească din inerție și să taie ce se găsește pe traiectoria ei. Rețineți că lama continuă să se rotească pentru un anumit timp după oprirea motorului.

INSTRUCȚIUNI DE SIGURANȚĂ PENTRU LAMA DE TĂIERE A LEMNULUI

- Citiți cu atenție manualul și instrucțiunile înainte de a utiliza lama și fierăstrăul.
- Fierăstrăul trebuie să se afle în stare de funcționare optimă, iar axul nu trebuie să fie deformat sau să provoace vibrații.
- Nu utilizați fierăstrăul fără a avea dispozitivele de siguranță în poziția de lucru. Țineți apărătorile în stare bună de funcționare și întreținute corespunzător.
- Asigurați-vă că operatorul este instruit în mod adecvat și cunoaște toate măsurile de precauție, modulele de operare și modulele de ajustare ale echipamentului.
- Purtați întotdeauna ochelari și căști de protecție atunci când utilizați acest echipament. Purtați mănuși de protecție și încălțăminte rezistentă, cu talpa aderentă.
- Înainte de a utiliza orice accesoriu, consultați manualul de instrucțiuni. Utilizarea necorespunzătoare a unui accesoriu poate deteriora echipamentul și crește șansele de accidentare.
- Folosiți numai pânze specificate în acest manual, în conformitate cu EN 847-1.
- Respectați turajia maximă marcată pe pânza de ferăstrău. Asigurați-vă că viteza marcată pe discul ferăstrăului este cel puțin egală cu viteza marcată pe ferăstrău.
- Utilizați întotdeauna lame de mărimea și forma adaptate la diametrul axului. Lamele neadaptate la axul pe care trebuie să fie montate nu se vor roti corect și pot conduce la o pierdere a controlului asupra aparatului.
- Nu folosiți pânze cu diametrul mai mare sau mai mic decât cel recomandat. Nu utilizați distanțiere pentru a fixa pânza pe ax.
- Verificați dinții lamei căutând semne de deteriorare sau aspect anormal înainte de fiecare utilizare. Dinții uzați sau deteriorați pot deveni proiectile în timpul utilizării, crescând riscul unor accidente grave.
- Nu folosiți lame de ferăstrău crăpate sau deformate. Nu folosiți pânze de circular deteriorate ori deformate.
- Casați lama dacă este deteriorată, deformată sau crăpată; repararea nu este permisă.
- Nu utilizați pânze din oțel rapid (HSS).
- Asigurați-vă că pânza de ferăstrău este montată corect înainte de utilizare. Strângeți bine șurubul lamei înainte de utilizare (cuplu de strângere aprox. 10-15 Nm).
- Strângeți șuruburile și piulițele cu ajutorul unei chei adecvate.
- Nu este permisă strângerea șuruburilor cu prelungitoare (pentru creșterea cuplului) sau chei pneumatice.
- Asigurați-vă că toate pânzele și flanșele sunt curate și laturile încastrate ale manșonului se sprijină pe pânză.
- Asigurați-vă că pânza se rotește în direcția corectă.
- Înainte de lucru, faceți o tăiere de probă fără a avea motorul pornit în așa fel încât poziția discului, funcționarea apărătorilor față de alte părți ale aparatului și a piesei de lucru să se poată fi verificate.
- Nu lăsați niciodată unealta să funcționeze nesupravegheată.

EN
FR
DE
ES
IT
NL
PT
DA
SV
FI
NO
RU
PL
CS
HU
RO
LV
LT
ET
HR
SL
SK
BG
UK
TR
EL



- Nu aplicați lubrifianți pe pânză atunci când aceasta este în funcțiune.
- Nu efectuați niciodată orice lucrare de întreținere sau de curățare atunci când aparatul este încă în funcțiune, iar capul nu este în poziția de repaus.
- Nu încercați niciodată să opriți un echipament electric aflat în mișcare prin blocarea directă a piesei în mișcare cu o altă unealtă. Riscați să provocați accidente grave.
- Deconectați fierăstrăul de la rețeaua electrică sau de la baterie înainte de a schimba lamele sau de a efectua operații de întreținere.
- Manevrați lama cu atenție la ambalare și dezambalare. Există riscul de a vă răni în dinții ascuțiți ai lamei.
- Folosiți un suport sau purtați mănuși atunci când manipulați o pânză de ferăstrău.
- Păstrați lama în ambalajul original sau în alt ambalaj corespunzător. A se păstra în mediu uscat, lipsit de substanțe chimice care ar putea ataca lama.

⚠ AVERTISMENT

- Purtați protecție pentru ochi și urechi.
- Evitați supraîncăzirea vârfurilor lamei. Nu utilizați lame tocite sau deteriorate. Nu forțați unealta.
- Folosire recomandată doar de lame de fierăstrău.

AVERTIZĂRI SUPLIMENTARE DE SIGURANȚĂ

- Nu utilizați în niciun caz un disc abraziv.
- Utilizați numai discuri tăietoare cu diametrul corespunzător marcajelor.
- Identificați discul tăietor adecvat care se va utiliza pentru materialul ce va fi tăiat.
- Utilizați numai discuri tăietoare marcate cu o viteză mai mare sau egală cu cea marcată pe unealtă.
- Utilizați numai lamelele recomandate de producător, care sunt conforme cu EN 847-1, dacă acestea vor fi utilizate pe lemn și materiale anologice.
- Purtați mască de praf.
- Doar pentru RCS1400: O cădere a tensiunii cauzează fluctuații ale voltajului și poate afecta alte produse electrice de la aceeași sursă de curent. Conectați produsul la o sursă de curent cu o impedanță egală cu $Z_{max}=0.459 \Omega$ pentru a reduce fluctuațiile de voltaj.

SIGURANȚĂ LASER (RCS1600)



- A fűrészben használt lézersugár besorolása: Class 2, legfeljebb $\leq 1\text{mW}$ teljesítménnyel és 650 nm hullámhosszal. Nu priviți direct în raza laser. Neurmarea acestor reguli poate rezulta în vătămare personală gravă.



- V-am furnizat o etichetă autocolantă în limba dumneavoastră și vă cerem să o așezați în locul etichetei de avertizare în engleză înainte de a opera aparatul
- Nu priviți în rază în timpul funcționării.
- Nu proiectați raza laser direct în ochii altor persoane. Pot rezulta leziuni oculare grave.
- Nu amplasați laserul într-o poziție în care se poate privi în fascicul intenționat sau neintenționat.
- Nu utilizați instrumente optice pentru a vizualiza raza laser.
- Nu folosiți laserul în preajma copiilor și nu permiteți copiilor să opereze cu laserul.
- Nu încercați să reparați dispozitiv cu laser de unul singur.
- Nu încercați să schimbați nicio piesă a dispozitivului laser.
- Orice reparații trebuie să fie efectuate numai de către producătorul laserului sau de către agent de service autorizat.
- Nu înlocuiți laserul cu un alt laser, de alt tip.

RISCURI REZIDUALE

Chiar dacă produsul este folosit așa cum este descris, este totuși imposibil să se elimine complet anumiți factori de risc reziduali. Următoarele pericole ar putea apărea în timpul folosirii iar operatorul trebuie să acorde o atenție specială pentru a evita următoarele:

- Vătămare cauzată de recul.
 - Citiți și înțelegeți informațiile din acest manual.
- Vătămare cauzată de praf.
 - Praful ar putea să intre în ochi sau în sistemul respirator. Purtați întotdeauna protecție pentru ochi. Purtați mască de praf adecvată, cu filtru potrivit pentru protecția contra particulelor de la materialul care se taie. Nu mâncați, beți sau fumați în zona de lucru. Asigurați ventilația corespunzătoare.
- Vătămare cauzată de electrocutare.
 - Lama poate veni în contact cu firele electrice, cauzând părți ale produsului să devină conductoare electrice. Țineți produsul întotdeauna de mânerele desemnate și fiți atent la tăierea oarbă în pereți și podele unde pot fi ascunse fire electrice.
- **NOTĂ:** Atunci când lucrați la pereți, tavane sau podele, fiți atent pentru a evita cablurile electrice și țevile de gaz sau apă.
- Vătămare cauzată de contactul cu lama.
 - Lamele sunt foarte ascuțite și vor deveni fierbinți în timpul folosirii. Purtați mănuși la schimbarea lamelor. Țineți întotdeauna ferite mâinile de zona de tăiere. Nu țineți NICIODATĂ piesa de prelucrat cu mâna sau între picioare. Prindeți în clemă piesa de lucru oricând e posibil.
- Vătămare cauzată de vibrații.

- Limitați expunerea. Vezi „Reducerea Riscului”

REDUCEREA RISCULUI

S-a reținut că virabțiile de la sculele de mână pot contribui la starea numită Sindromul lui Raynaud, la anumite persoane. Simptomele pot include furnicăături, amorțeală și albirea degetelor, care apare, de obicei, după expunerea la frig. Factori ereditari, expunerea la frig și umiditate, dieta, fumatul și practicile de muncă contribuie la dezvoltarea acestor simptome. Există măsurător care pot fi efectuate de către operator pentru a reduce efectele de vibrațiilor:

- Păstrați-vă temperatura corporală ridicată pe vreme rece. Când operați unitatea purtați mănuși pentru a vă menține mâinile și încheieturile la căldură. S-a constatat că vremea rece este un factor major care contribuie la sindromul Raynaud.
- După fiecare perioadă de operare, trebuie făcute exerciții pentru a crește circulația sângelui.
- Trebuie făcute pauze la intervale de timp regulate. Limitați expunerea zilnică.

Dacă sunt experimentate oricare dintre simptomele acestei afecțiuni, trebuie întreruptă utilizarea și consultat un medic.

⚠️ AVERTISMENT

Poti fi cauzate, sau agravate vătămări prin folosirea prelungită a sculei. Atunci când folosiți o sculă pentru perioade prelungite, asigurați-vă că luați pauze regulate.

CUNOAȘTEȚI-VĂ PRODUSUL.

Vezi pagina 135.

1. Declanșator
2. Butonul de deblocare a butonului de pornire
3. Protecția superioară a lamei
4. Adaptor port praf
5. Levier Al Protecției Inferioare A Lamei
6. Șurubul lamei
7. Protecția inferioară a lamei
8. Mâner, suprafață de contact izolată
9. Reglajul unghiular
10. Siguranța reglajului unghiular
11. Siguranța ghidajului longitudinal
12. Talpă
13. Sistem de direcționare cu laser (RCS1600)
14. Lamă
15. Cheie de serviciu
16. Ghidaj de tăiere

ÎNTREȚINEREA

⚠️ AVERTISMENT

Produsul nu trebuie conectat niciodată la priză atunci când asamblați părțile, faceți reglaje, curățați sau faceți întreținerea, sau atunci când părodusul nu este folosit. Deconectarea produsului de la alimentare va preveni pornirea accidentală, care poate provoca răni grave.

⚠️ AVERTISMENT

La efectuarea service-ului, folosiți doar piese de schimb, accesorii și atașamente originale ale producătorului. Utilizarea altor piese poate crea situații periculoase sau poate conduce la deteriorarea produsului.

⚠️ AVERTISMENT

Nu lăsați niciun moment ca lichidele de frână, produsele pe bază de petrol, uleiurile penetrante etc să intre în contact cu părțile din plastic. Aceste produse chimice conțin substanțe care pot distruge, fragiliza sau deteriora plasticul.

- Evitați utilizarea solvenților atunci când curățați piesele din plastic. Majoritatea materialelor plastice pot să fie deteriorate prin utilizarea unor solvenți vânduți în comerț. Utilizați o cârpă curată pentru a curăța murdăriile, praful etc.
- Asigurați-vă că deconectați unealta de la sursa de alimentare înainte de atașarea sau înlăturarea lamei ferăstrăului. Curățați produsul și sistemul de protecție cu cârpe curate.
- Atunci când operați scula electrică sau când îndepărtați praful, purtați întotdeauna ochelari de protecție sau ochelari de protecție cu apărători laterale. Dacă mediu de lucru este plin de praf, purtați întotdeauna o mască împotriva prafului.
- În cazul în care cablul de alimentare este deteriorat, trebuie înlocuit cu un cablu sau montaj special disponibil la producător sau agentul service.
- Pentru o mai mare siguranță și încredere, toate reparațiile trebuie să îndeplinească la un centru service autorizat.

LUBRIFIEREA

Toți rulmenții din interiorul produsului sunt lubrifiați cu o cantitate suficientă de lubrifianț de calitate înaltă pentru durata produsului în condiții normale de folosire. În consecință, nici o ungere suplimentară nu este necesară.

PROTECȚIA MEDIULUI ÎNCONJURĂTOR



Reciclați materiile prime în loc să le aruncați la gunoi, împreună cu deșeurile menajere. Pentru a proteja mediul înconjurător, mașina, accesoriile acesteia și ambalajele trebuie triate.

SIMBOLURILE DE PE PRODUS



Alertă de siguranță

V

Volți

Hz

Herți

~

Curent alternativ

W

Wați

n_o

Viteză în gol

min⁻¹ Număr de rotații sau de mișcări pe minut



Clasa II, dublu izolat



Lemn



Nu tăiați metal



Purtați echipamente de protecție a auzului



Purtați echipamente de protecție a vederii



Radiație laser.
Nu priviți direct în rază.
Produs cu laser clasa 2
λ: 650nm; P≤1mW
EN 60825-1:2014



Pericol! Pânză ascuțită.



Nu expuneți în ploaie



Lățime a tăierii



Dinte lamă



Conformitate CE



Marcaj de conformitate EurAsian



Semn de conformitate ucrainean



Vă rugăm citiți instrucțiunile cu atenție înainte de pornirea aparatului.



Deșeurile produselor electrice nu trebuie scum înlăturate împreună cu deșeurile casnice. Vă rugăm reciclați acolo unde există facilități. Verificați la autoritatea dvs locală sau la vânzător pentru sfaturi privind reciclarea.



Deconectați de la sursa de curent.



Piese sau accesorii vândute separat



Piedică



Deblocare



Notă

Rmătoarele cuvinte simbol și înțelesul lor au intenția de a explica nivelele de risc asociate cu acest produs.

PERICOL

Indică o situație imediată de pericol, care dacă nu este evitată va rezulta în deces sau rănire gravă.

AVERTISMENT

Indică o situație potențială de pericol, care dacă nu este evitată poate rezulta în deces sau rănire gravă.

PRECAUȚIE

Indică o situație potențial periculoasă, care dacă nu este eviată, poate rezulta în vătămare minoră sau moderată.

PRECAUȚIE

(Fără simbol de alertă de siguranță) Indică o situație ce poate rezulta în distrugerea proprietății.

SIMBOLURILE DIN MANUAL



Conectați la sursa de curent.



Drošībai, veiktspējai un uzticamībai ir pievērsta vislielākā uzmanība, radot jūsu ripzāģi.

PAREDZĒTĀ LIETOŠANA

Rotācijas instruments paredzēts lietošanai tikai pieaugušiem, kuri izlasījuši un sapratuši šīs rokasgrāmatas norādes un brīdinājumus un var tikt uzskatīti par atbildīgiem par savu rīcību.

Zāģis paredzēts koka un līdzīgu materiālu garenvirziena vai šķērsvirziena zāģēšanai ar maksimālo dziļumu līdz 54 milimetriem. Tas var veidot griezumus perpendikulāri virsmai vai leņķī starp 0 un 45 grādiem. Instrumentu jālieto tā, lai tā pamatne saskartos ar apstrādājamo materiālu. Zāģis paredzēts lietošanai sausos apstākļos ar izcilu apkārtējo apgaismojumu un atbilstošu ventilāciju. Zāģis ir paredzēts izmantošanai ar rokām. Zāģis ir paredzēts nostiprināšanai uz darba galda, ja vien ražotājs nav sniedzis specifiskas instrukcijas, par to kā izmantot šo precī. Neizmantojiet griešanai metālā vai mūrī. Neizmantojiet ierīci citiem mērķiem, bet tikai tam paredzētajiem. Izmantojot elektroinstrumentu darbībā, kas nav paredzētas, var rasties bīstama situācija.

⚠ BRĪDINĀJUMS

Izlasiet visus drošības brīdinājumus, instrukcijas, specifikācijas un apskatiet attēlus šī elektroinstrumenta dokumentācijā. Visu tālāk uzskaitīto norāžu neievērošana var izraisīt elektrošoku, aizdegšanos un/vai smagus ievainojumus.

Visus brīdinājumus un norādījumus saglabājiet turpmākām uziņām.

RIPZĀĢA DROŠĪBAS BRĪDINĀJUMI

ZĀĢĒŠANAS DARBĪBAS

⚠ BĪSTAMI

Sargājiet rokas no griešanas zonas un asmens. Turiet savu otru roku uz papildu roktura vai motora korpusa. Ja abas rokas tur zāģi, tad tajās nevar iezāģēt ar ripu.

- Nesniedzieties zem sagataves. Aizsargs nevar pasargāt jūs no ripas zem sagataves.
- Noregulējiet griešanas dziļumu līdzvērtīgi sagataves biežumam. Zem sagataves jābūt redzamam mazāk par pilnu zobu.
- Nekādā gadījumā neturiet zāģējamo sagatavi rokās vai pāri kājām. Piestipriniet sagatavi pie stabilas pamatnes. Ir svarīgi pareizi atbalstīt sagatavi, lai mazinātu ķermeņa atsegumu, ripas ķeršanos vai kontroles zaudēšanu.
- Turiet elektroinstrumentu aiz izolētām satveršanas virsmām, kad veicat darbības, kur griešanas instruments var saskarties ar apslēptu elektroinstalāciju vai savu kabeli. Saskarsme ar "dziļu" vadu padarīs ierīces neapklātās metāla daļas "dzīvas" un var radīt elektrošoku lietotājam.

- Zāģējot šķērseniski, izmantojiet vadlīniju vai vadotni ar taisnu malu. Tas uzlabo griezuma precizitāti un mazina ripas ķeršanās risku.
- Obligāti izmantojiet pareiza izmēra un formas (rombeveida vai trīsstūrveida zobu) zobus. Ripas, kuru forma neatbilst zāģa stiprināšanas ietaisēm, kustēsies ekscentriski, kas mazina kontroli pār zāģi.
- Nedrīkst izmantot bojātas vai nepareizas paplāksnes vai skrūves. Geležčīgu poveržlēs ir varžtai yra specialiai pagaminti jūsu pjūklui, siekiant geriausių pjovimo rezultātų ir saugumo pjaunant.

ATSITIENA CĒĻŅI UN AR TO SAISTĪTIE BRĪDINĀJUMI:

- Papildu drošības instrukcijas visiem zāģiem Atsitiena iemesli un tā novēršana; atsitiens ir pēkšņa reakcija uz iespiestu, ieliektu vai nepareizi noregulētu zāģa ripu, kas var pasist nepietiekami labi novadītu zāģi uz augšu un ārā no sagataves pret operatoru;
- Kad ripu iespiež vai ieliec iegriezuma saspiešanās, ripa tiek bremsēta, un motora reakcija strauji virza instrumentu atpakaļ pret operatoru;
- Ja ripa tiek saliekta vai izregulējas griezumā, ripas zobi var iecirsties materiāla augšējā virsmā, liekot ripai izlekt no griezuma pret operatoru;

Atsitiens rodas no zāģa nepareizas lietošanas un/vai nepareizas darba procedūras vai apstākļiem; no tā var izvairīties, veicot pareizus drošības pasākumus.

- Turiet zāģi stingri un novietojiet rokas tā, lai tās noturētu pret potenciālo atsitienu. Novietojiet ķermeni abās ripas pusēs, bet ne vienā līnijā ar ripu. Atsitiens var likt zāģim atlekt atpakaļ, bet operators var kontrolēt tā spēkus, ja tiek veikti pareizi drošības pasākumi.
- Kad ripa ķeras vai zāģēšana tiek pārtraukta kādu citu iemeslu dēļ, atļaidiet slēdža mēlīti un turiet zāģi nekustīgi materiālā, līdz ripa pilnībā apstājas. Nekad nemēģiniet izcelt zāģi no sagataves vai vilkt zāģi atpakaļ, kamēr asmens pārvietojas, jo tas var izraisīt atsitienu. Izpētiet, kādi iemesli izraisa ripas ķeršanos, un novērsiet tos.
- Kad atkārtoti ieslēdzat zāģi, kas atrodas sagatavē, centrējiet ripu griezumā un pārbaudiet, vai ripas zobi nav iekērušies materiālā. Ja zāģa ripa iekeras, zāģi atkal iedarbinot, tas var palēkties vai atlekt atpakaļ no sagataves.
- Atbalstiet lielas plāksnes, lai mazinātu risku, ka ripa iekersies griezumā un atsīties atpakaļ. Lielas plāksnes parasti liecas no sava svāra. Balstus jānovieto zem plāksnes abās pusēs zāģējuma līnijas un plāksnes malas tuvumā.
- Nelietojiet ripas ar neasinātiem zobiem vai bojātas ripas. Neasinātas vai nepareizi iestatītas ripas rada šauru zāģējuma eju, kas rada pārāk lielu berzi, ripas ķeršanos un atsitienu.
- Ripas dziļuma un leņķa regulēšanas fiksatoriem jābūt droši pievilkti, pirms sākt zāģēšanu. Ja zāģēšanas procesā ripas ieregulējums novirzās, tā var saķerties un atsīties atpakaļ.
- Rīkojieties īpaši piesardzīgi, zāģējot esošajās





siēnas vai citās neredzamās vietās. Izvirzījusies ripa var atdurties pret objektiem, kas var izraisīt atsitieni.

APAKŠĒJĀ AIZSARGA FUNKCIJA

- Pirms katras izmantošanas pārbaudiet, vai kustīgais aizsargs pareizi aizveras. Nelietojiet zāģi, ja kustīgais aizsargs brīvi nekustas un uzreiz neaizveras. Nekādā gadījumā nefiksējiet kustīgo aizsargu atvērtā pozīcijā. Ja zāģis nejausi nokrīt, kustīgais aizsargs var saliekties. Paceliet kustīgo aizsargu ar atvelkamo rokturi un pārbaudiet, vai tas kustās brīvi un nepieskaras ripai vai citai daļai – jebkurā leņķī un griezuma dziļumā.
- Pārbaudiet kustīgā aizsarga atsperes darbību. Ja aizsargs un atspere nedarbojas pareizi, tiem pirms lietošanas jāveic apkope. Apakšējā aizsarga darbība var būt lēna bojātu detaļu, sveķu nogulsņu vai atbirumu uzkrāšanās dēļ.
- Apakšējo aizsargu var manuāli atbīdīt tikai īpašiem griezumiem, piemēram, “iegriezumiem” un “saliktiem griezumiem”. Paceliet kustīgo aizsargu ar atvelkamo rokturi un, tiklīdz ripa iekļūst materiālā, atlaidiet kustīgo aizsargu. Visiem citiem zāģēšanas darbiem kustīgajam aizsargam jāļauj atvirzīties pašam.
- Vienmēr pārliecinieties, vai kustīgais aizsargs apsedz ripu, pirms novietot zāģi uz sola vai grīdas. Nenosegta, kustīga ripa liks zāģim virzīties atpakaļ, iezāģējot visā, kas gadsies tā ceļā. Ņemiet vērā laiku, kas nepieciešams, lai ripa pēc slēdža mēlītes atlaišanas apstātos.

DROŠĪBAS NORĀDES KOKA ZĀGA RIPAI

- Lūdzu rūpīgi izlasiet rokasgrāmatu un norādes, pirms lietot zāģa asmeni un elektroinstrumentu.
- Elektroinstrumentam jābūt labā stāvoklī, tā asij bez deformācijas un vibrācijas.
- Neizmantojiet zāģi, ja tam nav aizsarga. Uzturiet aizsargus labā darba kārtībā un kārtīgi apkoptus.
- Nodrošiniet, ka lietotājs ir atbilstoši apmācīts piesardzības pasākumos un elektroinstrumenta regulēšanā un lietošanā.
- Izmantojot elektroinstrumentu, vienmēr nēsājiet aizsargbrilles un dzirdes aizsarglīdzekļus. Ieteicams valkāt cimdus un izturīgus, neslīdošus apavus.
- Pirms jebkura piederuma lietošanas skatiet informāciju lietošanas pamācībā. Papildaprīkojuma nepareiza lietošana var izraisīt bojājumus un palielināt ievainojumu gūšanas iespējas.
- Izmantojiet tikai šajā rokasgrāmatā norādītās ripas atbilstoši EN 847-1.
- Ievērojiet uz zāģa ripas norādīto maksimālo ātrumu. Pārliecinieties, ka uz zāģa plātnes norādītais ātrums, ir vismaz vienāds ar ātrumu, kas norādīts uz zāģa.
- Obligāti izmantojiet pareiza izmēra un formas zobus. Ripas, kuru forma neatbilst zāģa stiprināšanas ietaisēm, kustēsies ekscentriski, kas mazina kontroli pār zāģi.
- Neizmantojiet ripas, kuru diametrs ir lielāks vai mazāks par ieteicamo. Ripas uzstādīšanai uz ass neizmantojiet nekādas starplikas.
- Pārbaudiet zāģa asmens uzliku bojājumus vai normai

neatbilstošu izskatu pirms katras lietošanas reizes. Uzlikas, kas ir bojātas vai valīgas, lietošanas laikā var kļūt par lidojošiem priekšmetiem un palielināt ievainojumu gūšanas iespēju.

- Neizmantojiet ielplaisājušus vai izkropļotus zāģa asmeņus. Neizmantojiet bojātus vai deformētus zāģa asmeņus.
- Iznīciniet zāģa asmeni, ja tas bojāts, deformēts, salauzts vai splaisājais; remonts nav atļauts.
- Neizmantojiet HSS ripas.
- Pirms lietošanas pārliecinieties, vai zāģa ripa ir uzstādīta pareizi. Pirms lietošanas kārtīgi pievelciet asmens stiprinājuma skrūvi (novilkšanas spēks aptuveni 10-15 Nm).
- Stiprinājuma skrūve un uzgriežņi ir jānovelk, izmantojot atbilstošu uzgriežņu atslēgu.
- Uzgriežņa atslēgas pagarināšana vai uzgriežņa novilkšana ar āmura sitieniem nav atļauta.
- Pārliecinieties, vai visi asmeņi un atloki ir tīri un ieliktnā atvirzītās malas atrodas pret asmeni.
- Pārliecinieties, vai ripa griežas pareizajā virzienā.
- Pirms darba, veiciet izmēģinājuma zāģējumu, ar izslēgtu motoru, lai pārbaudītu asmens stāvokli, aizsargu darbību attiecībā pret pārējām iekārtas daļām un darba materiālu.
- Nekad neatstājiet darbojošos instrumentu bez uzraudzības.
- Neļaujiet ripu tās ekspluatācijas laikā.
- Nekad neveiciet nekādus tīrīšanas vai apkopes darbus, ja mašīna joprojām darbojas un tās galva nav miera pozīcijā.
- Nekad nemēģiniet apturēt kustībā esošu elektroinstrumentu, to noklīņojot vai citādi iedarbojoties uz asmeni. Šādā veidā nejausi var izraisīt nopietnus negadījumus.
- Atvienojiet zāģi no elektropadeves vai akumulatora, pirms veikt asmens nomaiņu vai apkopi.
- Veicot instrumenta izpakošanu vai iepakošanu, sargieties no asmens. Ar zāģripas aso zobu galiem ir viegli gūt ievainojumus.
- Strādājot ar zāģa ripu, izmantojiet turētāju vai nēsājiet cimdus.
- Turiet un glabājiet asmeni oriģinālajā vai citā piemērotā iepakojumā. Glabājiet sausa vietā atstātus no ķīmikālijām, kas var bojāt asmeni.

BRĪDINĀJUMS

- Lietojiet acu un ausu aizsarglīdzekļus.
- Nepārkarsējiet asmens uzgaļus. Nelietojiet ripas ar neasinātiem zobiem vai bojātās ripas. Nepārslodojiet instrumentu.
- Lietojiet tikai ieteiktos zāģa asmeņus.

PAPILDU DROŠĪBAS BRĪDINĀJUMI

- Neizmantojiet abrazīvās ripas.
- Izmantojiet tikai asmeņu diametru(s) saskaņā ar marķējumu.





- Atrodiet zāgējamam materiālam piemērotu zāga asmeni.
- Izmantojiet tikai zāga asmeņus, kas marķēti ar ātrumu, kas vienāds vai lielāks par ātrumu, kas norādīts uz instrumenta.
- Izmantojiet tikai ražotāja ieteiktos zāga asmeņus, kas atbilst standartam EN 847-1, ja paredzēts strādāt ar koku vai līdzīgiem materiāliem.
- Valkājiet putekļu masku.
- Tikai RCS1400: Elektrības kāpumi izraisa sprieguma svārstības un var ietekmēt citas elektroierīces tajā pašā elektrības slēgumā. Lai mazinātu sprieguma svārstības, pievienojiet izstrādājumu strāvas padevei, kuras pretestība ir vienāda ar $Z_{max}=0.459 \Omega$.

LĀZERA DROŠĪBA (RCS1600)



- Zāgu lāzera rādītāja starojums atbilst 2 klasei ar maksimālo jaudu $\leq 1mW$ jaudu un 650 nm viļņa garumu. Neskatieties tieši lāzera starā. Noteikumu neievērošanas rezultātā var rasties nopietni miesas bojājumi.



Komplektācijā ietilpst līmējama etiķete jūsu valodā, tāpēc, lūdzu, pielīmējiet to angļu valodas teksta vietā uz brīdinājuma etiķetes pirms iekārtas pirmās lietošanas reizes.

- Darba laikā neskatieties lāzera starā.
- Nevirziet lāzera staru tieši apkārtējo acīs. Var rasties nopietnas acu traumas.
- Nenovietojiet lāzeru vietā, kurā apkārtējie varētu tīši vai netīši skatīties lāzera starā.
- Neizmantojiet optiskos instrumentus, lai skatītos lāzera starā.
- Nelietojiet lāzeru bērnu tuvumā un neļaujiet bērniem darbināt lāzeru.
- Nemēģiniet pašrocīgi veikt lāzerierīces remontu.
- Nemēģiniet pats mainīt lāzerierīces daļas.
- Visus remontdarbus drīkst veikt tikai lāzera ražotājs vai pilnvarots servisa speciālists.
- Neaizstājiet ar cita veida lāzeru.

PALIEKOŠIE RISKI

Pat tad, ja ierīce tiek lietota, kā aprakstīts, joprojām nav iespējams pilnībā novērst atsevišķus riska faktorus. Lietošanas laikā var rasties šādas briesmas un strādniekam īpaša uzmanība jāpievērš šim:

- Vibrācijas radīti bojājumi
 - Izlasiet un izprotiet informāciju šajā rokasgrāmatā.
- Putekļu izraisītas traumas

- Putekļi var iekļūt acīs vai elpceļu sistēmā. Vienmēr nēsājiet acu aizsardzību. Valkājiet piemērotu putekļu aizsargmasku ar filtriem, kas piemēroti aizsardzībai pret griežamā materiāla putekļiem. Darba vietā neēdiet, nedzeriet un nesmēķējiet. Darba vietā nodrošiniet atbilstošu ventilāciju. Nodrošiniet pienācīgu ventilāciju.

Elektrošoka izraisīti savainojumi

- Asmens var saskarties ar slēptiem vadiem, radot to, ka preces daļas sakustās. Vienmēr turiet precī aiz paredzētā roktura un uzmanieties, kad zāgējat sienās un grīdās, nedzodot ko darāt, jo tur var būt paslēpti vadi.

PIEZĪME: Veicot darbus sienās, griestos vai grīdā, uzmanieties, lai nonāktu saskarē ar elektrības kabeļiem un gāzes vai ūdens caurulēm.

Asmens izraisīti savainojumi

- Asmeņi ir ļoti asi un lietošanas laikā uzkarst. Asmeņu nomainīšanas laikā valkājiet cimdus. Vienmēr turiet rokas drošā attālumā no griešanas vietas. Nekādā gadījumā neturiet zāgējamo sagatavi rokās vai pāri kājām. Nostipriniet apstrādājamo materiālu, kad vien iespējams.

Vibrācijas radīti bojājumi

- Ierobežojiet iedarbību. Skatīt "Risku Samazināšana".

RISKA SAMAZINĀŠANA

Ir ziņots, ka rokās turamu preču vibrācijas dažām personām var veicināt „Reino sindromu”. Simptomi var ietvert pirkstu tīkšķēšanu, nejutīgumu un nobālēšanu, parasti aukstā laikā. Tiek uzskatīts, ka tradicionālie faktori, aukstums un mitrums, uzturs, smēķēšana un darba prakse sekmē šo simptomu attīstību. Operatoros var veikt pasākumus, lai iespējami samazinātu vibrācijas efektu:

- Aukstā laikā ķermenim jābūt siltam. Darbinot ierīci, nēsājiet cimdus, lai rokas un plaukostas locītavas būtu siltas. Ir pētījumi, ka auksts laiks ir galvenais faktors, kas veicina Reino sindromu.
- Ik pēc laika apturiet darbu un veiciet vingrinājumus, kas uzlabo asins cirkulāciju.
- Strādājot jābūt biežiem pārtraukumiem. Ierobežojiet iedarbības ilgumu dienā.

Ja jūs izjūtat kādu no šiem simptomiem, nekavējoties apturiet ierīces lietošanu un sazinieties ar ārstu par šiem simptomiem.

BRĪDINĀJUMS

Ilgstoša instrumenta lietošana var izraisīt traumas vai pasliktināt veselības stāvokli. Ilgstoši lietojot jebkuru instrumentu, pārliecinieties, ka tiek veikti regulāri pārtraukumi.

IERĪCES IEPAZĪŠANA

Skatīt 135. lpp.

- Palaišanas slēdzis
- Drošinātāja poga



3. Augšējais aizsargs
4. Putekļu porta adapteris
5. Apakšējā aizsarga svira
6. Asmens skrūve
7. Apakšējais aizsargs
8. Rokturis, izolēta satveršanas virsma
9. Leņķa skala
10. Leņķa skalas fiksators
11. Platuma ierobežotāja fiksators
12. Pamatne
13. Lāzera marķiera izstarotājs (RCS1600)
14. Ripa
15. Uzgrieznis
16. Garengriezuma vadošā detaļa

APKOPE

⚠ BRĪDINĀJUMS

Produktu nekad nedrīkst pievienot barošanas padevei, veicot daļu montāžu, regulēšanu, tīrīšanu vai apkopi, kā arī laikā, kad tas netiek izmantots. Elektriķis vada atvienošana no sprieguma padeves novērsīs nejaūšu ieslēgšanu, kas var izraisīt smagus ievainojumus.

⚠ BRĪDINĀJUMS

Saņemot, izmantojiet tikai oriģinālas ražotāja rezerves daļas, piederumus un pielikumus. Jebkādi citu detaļu izmantošana var izraisīt bīstamību vai produkta bojājumus.

⚠ BRĪDINĀJUMS

Nekādā gadījumā plastmasas daļām neļaujiet nonākt saskarē ar bremžu šķidrums, benzīnu, naftas izstrādājumiem, eļļām ar paaugstinātu mitrināšanas spēju utt. Ķīmiskālijas var sabojāt, novājināt vai iznīcināt plastmasu, kas var izraisīt nopietnas personīgās traumas.

- Tīrot plastmasas daļas, izvairieties no šķīdinātāju lietošanas. Vairums plastmasu ir jutīgas pret dažāda veida pārdošanā esošajiem šķīdinātājiem un to izmantošanas rezultātā var tikt bojātas. Izmantojiet tīru drānu, lai notīrītu nefūrumus, oglekļa putekļus utt.
- Pirms zāģa asmens pievienošanas vai noņemšanas noteikti atslēdziet instrumentu no strāvas padeves. Notīriet instrumentu un aizsarg sistēmu ar tīru drānu.
- Elektroinstrumenta darbības vai putekļu pūšanas laikā vienmēr izmantojiet aizsargbrilles vai drošības brilles ar sānu aizsargiem. Ja darbība ir saistīta ar putekļu rašanos, uzlieciet arī putekļu masku.
- Ja padeves vads ir bojāts, to nepieciešams aizvietot ar speciālu vadu vai papildus vadu, kas pieejams pie ražotāja vai tā pakalpojumu sniedzēja aģenta.
- Lielākas drošības un uzticamības labad visi remontu jāveic pilnvarotā apkopes centrā.

EĻĻOŠANA

Visi izstrādājuma gultņi tiek eļļoti ar pietiekamu augstas kvalitātes smērvielas daudzumu, lai nodrošinātu produkta kalpošanas laiku normālos lietošanas apstākļos. Tāpēc papildu eļļošana nav nepieciešama.

VIDES AIZSARDZĪBA



Tā vietā, lai izejmateriālus izmetu atkritumos, nododiet tos otrreizējai pārstrādei. Mašīna, aksesuāri un iepakojums ir jāsašķiro un jānodod videi draudzīgā atkārtotas pārstrādes vietā.

UZ PRECES ESOŠIE SIMBOLI



Drošības brīdinājums

V

Volts

Hz

Herci

~

Maiņstrāva

W

Vati

n_o

Apgriezieni bez slodzes

min⁻¹

Apgriezieni minūtē



II klase, dubulta izolācija



Koks



Negrieziet metāla



Lietojiet dzirdes aizsargus



Valkājiet acu aizsarglīdzekļus



Lāzera starojums.
Neskatieties staru kūlī.
2. klases lāzera produkts
λ: 650nm; P≤1mW
EN 60825-1:2014



Bīstami! Ass asmens.



Sargājiet no lietus



Griezuma platums



Asmens zobi



CE atbilstība



EurAsian atbilstības marķējums



Ukrainas apstiprinājuma zīme



Pirms iedarbināt mašīnu, lūdzu rūpīgi izlasiet instrukcijas.



Izlietotie elektroprodukti nedrīkst tikt izmesti kopā ar mājsaimniecības atkritumiem. Lūdzu, nododiet tos attiecīgajās atkāršanas izmantošanas vietās. Sazinieties ar savu vietējo varas pārstāvi vai izplatītāju, lai noskaidrotu, kur iespējama atkārtota pārstrāde.

SIMBOLI ROKASGRĀMATĀ



Pievienojiet elektropadevei.



Atvienojiet no elektropadeves.



Atsevišķi nopērkamās daļas vai piederumi



Bloķētājs



Atbloķēt



Piezīme

Lai izskaidrotu risku, kas saistīti ar izstrādājumu, līmeni, paredzēti šādi norādījuma vārdi un jēdzieni.

BĪSTAMI

Norāda uz nenovēršami bīstamu situāciju, kas, ja netiks novērsta, izraisīs nāvi vai nopietnus miesas bojājumus.

BRĪDINĀJUMS

Norāda uz potenciāli bīstamu situāciju, kas, ja netiks novērsta, var izraisīt nāvi vai nopietnus miesas bojājumus.

UZMANĪBU

Norāda uz potenciāli bīstamu situāciju, kas, ja netiek novērsta, var izraisīt vieglus vai vidējus miesas bojājumus.

UZMANĪBU

(Bez drošības trauksmes simbola), kas norāda, uz situāciju, kas var novest pie īpašuma bojājuma.



Kuriant diskinio pjūklo konstrukciją, didžiausia pirmenybė buvo skiriama saugai, našumui ir patikimumui.

NAUDOJIMO PASKIRTIS

Diskinis pjūklas yra skirtas naudoti tik suaugusiems, kurie yra perskaitę ir supratę šiame vadove pateikiamas instrukcijas bei įspėjimus ir gali būti laikomi atsakingais už savo veiksmus.

Šis įrankis skirtas medienai ir panašioms medžiagoms įleidžiamaisiais ir skersiniais pjūviais iki maks. 54 mm gylio pjaustyti. Įrankis gali pjauti tiesiai arba įstrižai, 0–45 laipsnių kampais. Jį reikia naudoti įrankio pagrindą prispaudžiant prie ruošinio. Jį galima naudoti tik sausoje, gerai apšviestoje ir gerai vėdinamoje patalpoje.

Produktas sukurtas naudoti laikant rankose. Produkto negalima montuoti ant darbo stalo, išskyrus atvejus, kai pjūklo gamintojas tiksliai nurodo, kaip tai daryti. Įrankio nenaudokite pjauti metalą arba mūrą.

Gaminį galima naudoti tik pagal paskirtį. Naudokite elektrinį įrankį tik pagal tiesioginę paskirtį, kitaip sukelsite pavojingą situaciją.

⚠ ĮSPĖJIMAS

Perskaitykite visus saugos įspėjimus, visas instrukcijas, paveikslėlius ir techninius reikalavimus, pateikiamus su šiuo elektriniu įrankiu. Apačioje išdėstytų instrukcijų nesilaikymas gali sukelti elektros smūgį, gaisrą ir (ar) sunkius sužeidimus.

Kad tinkamai naudotumėte įrankį, žr. visus perspėjimus ir nurodymus.

DARBO SU DISKINIU PJŪKLU SAUGOS ĮSPĖJIMAI

PJOVIMO PROCEDŪROS

⚠ PAVOJUS

Rankas laikykite toliau nuo pjovimo zonos ir geležtės. Turiet savu otu roku uz papildu roktura vai motora korpusa. Ja abas rokas tur žągi, tad tajās nevar iezągēt ar rīpu.

- Rankų nekiškite po ruošiniu. Apsauginis gaubtas jūsų rankų po ruošiniu apsaugoti negali.
- Pjovimo gylį nustatykite pagal ruošinio storį. Po ruošiniu turi būti matomas dalis geležtės dantuko.
- Niekada pjaunamo ruošinio nelaikykite rankose ar ant kojų. Ruošinį pritvirtinkite prie stabilaus darbo paviršiaus. Ruošinį svarbu gerai atremti, siekiant sumažinti pavojų jūsų kūnui, geležčių sukibimą ar pjūklo nesuvaldymą.
- Dirbdami darbus, kurių metu pjovimo įrankis galėtų prisiliesti prie pslėptų laidų arba paties įrankio kabelio, laikykite elektrinį įrankį tik už izoliuotų paviršių. Susilietus su laidais, kuriais teka srovė, neizoliuotos elektrinio įrankio metalinės dalys taip pat gali tapti laidininkais ir įrankiu dirbantis asmuo gali

patirti elektros smūgį.

- Pjaunant išilgai, būtina visada naudoti išilginio pjovimo kreiptuvą ar tiesų kraštų kreiptuvą. Tokiu būdu užtikrinamas pjovimo tikslumas ir sumažinamas geležtės užsikirtimas.
- Visada naudokite veleno angų geležtes tinkamo dydžio ir formos (rombo formos, o ne apvalųjį). Geležtės, nepritaikytos pagal pjūklo montavimo detales, suksis ekscentriškai, dėl to pjūklo nesuvaldysite.
- Niekada nenaudokite pažeistų ar neteisingų geležčių poveržlių ar varžtų. Geležčių poveržlės ir varžtai yra specialiai pagaminti jūsų pjūklui, siekiant geriausių pjovimo rezultatų ir saugumo pjaunant.

ATATRANKOS PRIEŽASTYS IR SUSIJĘ ĮSPĖJIMAI:

- atatranka – tai staigi reakcija į suspaudimą, užstrigimą ar pjovimo disko išsiderinimą, kuri sukelia nekontroliuojamą pjūklo pakilimą ir atšokimą nuo ruošinio link operatoriaus;
- kai diskas suspaudžiamas arba smarkiai užstringa ruošinyje, diskas užsikerta ir sustoja, o variklio reakcijos jėga staiga atmeta įrankį link arba šalin nuo operatoriaus.;
- Jei geležtė išsikreipia ar tampa nelygi pjaunant, galinio krašto geležtės dantukai gali įpjauti viršutinį medienos sluoksnį, tokiu būdu priversdami geležtę išslysti iš prapjovos ir staiga pasislinkti atgal link operatoriaus.

Atgalinis smūgis yra netinkamo pjūklo naudojimo ir (ar) klaidingo darbo proceso ar sąlygų rezultatas. Jo galima išvengti laikantis atitinkamų žemiau išdėstytų apsaugos priemonių.

- Pjūklą tvirtai laikykite abiem delnais, o rankas laikykite taip, kad jos išlaikytų atgalinio smūgio jėgą. Stovėkite vienoje ar kitoje geležtės pusėje, bet ne vienoje linijoje su geležte. Dėl atgalinio smūgio pjūklas gali atšokti atgal, tačiau atgalinio smūgio jėgą operatorius gali suvaldyti, jei jis imasi tinkamų apsaugos priemonių.
- KJei geležtė kertasi ar dėl kitos priežasties trukdo normaliam pjovimui, atleiskite perjungiklį ir pjūklą ruošinyje laikykite jo nejudindami tol, kol geležtė visiškai sustos. Diskui sukantis niekada nebandykite pjūklo iš ruošinio ištraukti ar jo traukti atgal, nes galite sukelti atatranką. Nustatykite geležtės kirtimosi priežastis ir imkitės tinkamų veiksmų joms pašalinti.
- Jei pjūklą ruošinyje paleidžiate iš naujo, geležtę nustatykite prapjovos viduryje ir patikrinkite, ar dantukai nėra įlindę į ruošinį. Vėl įjungus pjūklą, užsikirtęs pjovimo diskas gali pakilti arba atšokti.
- Didelės plokštės paremkite, kad išvengtumėte geležčių suspaudimo ir atgalinio smūgio pavojaus. Dėl savo svorio didelės plokštės paprastai įlinksta. Atramas būtina padėti iš abiejų plokštės pusių po plokštėmis, šalia pjovimo linijos bei plokštės kraštų.
- Nenaudokite atšipusių ir pažeistų geležčių. Negaląstos ar netinkamai nustatytos geležtės pjauna siaurą prapjovą, taip sukeldamos per didelės trinties geležtės sukibimą ir atgalinį smūgį.
- Prieš pradėdami pjauti, geležtės gylio ir įstrižo





nustatymo užrakinimo svirtys turi būti tvirtos ir saugios. Jei pjovimo metu geležtės nustatymai pasikeičia, geležtė gali užsikirsti ir sukelti atgalinį smūgį.

- **Atlikdami pjovimą esančiose sienose ar kitose nematomose vietose, būkite ypač atsargūs.** Atsikišusi geležtė gali įpjauti objektus, kurie gali sukelti atgalinį smūgį.

APATINIO APSAUGINIO GAUBTO FUNKCIJA

- **Prieš pradėdami darbą visada patikrinkite, ar apatinis apsauginis gaubtas tinkamai užspaustas.** Jei šis apatinis apsauginis gaubtas laisvai nejudą ir iškart uždaromas, pjūklo nenaudokite. **Apatinio apsauginio gaubto niekada neužspauskite ar pritvirtinkite atviroje padėtyje.** Jei pjūklą atsitiktinai numesite, apatinis apsauginis gaubtas sulinks. Apatinį apsauginį gaubtą pakelkite ištraukiamo rankena bei užtikrinkite, kad jis laisvai juda ir nesiliečia į geležtę ar bet kurią kitą detalę visais pjovimo kampais ir gyliais.
- **Patikrinkite apatinio apsauginio gaubto spyruoklės veikimą.** Jei gaubtas ir spyruoklė tinkamai neveikia, prieš naudojimą būtinai atlikti jų techninę priežiūrą. Apatinis apsauginis gaubtas gali lėtai veikti dėl pažeistų detalių, sakų sancaupų ar susikaupusių atliekų.
- **Apatinį apsauginį gaubtą ištraukti rankomis galima tik specialiam pjovimui, pvz. „vidiniam pjovimui“ ir „sudurtiniam pjovimui“.** Apatinį apsauginį gaubtą pakelkite, ištraukdami rankeną ir kai tik geležtė įlenda į ruošinį, apatinį gaubtą atleiskite. Visiems kitiems pjovimo būdams, apatinis apsauginis gaubtas turi veikti automatiškai būdu.
- **Prieš padėdami pjūklą ant suolelio ar grindų, visada patikrinkite, ar apatinis apsauginis gaubtas dengia geležtę.** Dėl neapsaugotos, laisvai besisukančios geležtės pjūklas gali slinkti atbula kryptimi bei pjauti visus jo kelyje esančius daiktus. Atminkite, kad atleidus jungiklį, geležtei reikia laiko visiškai nustoti sukintis.

MEDŽIO PJOVIMO MENTĖS SAUGOS INSTRUKCIJOS

- Prieš naudodami pjūklo geležtę ir variklinį įrankį atidžiai perskaitykite vadovą ir instrukcijas.
- Variklinis įrankis turi būti gerai sutvarkytas ir geros būklės, suklys turi būti be deformacijų ir neivbruoti.
- Nenaudokite pjūklo neuždėję apsaugų. Apsauginiai įrenginiai turi būti geros darbo būklės ir tinkamai prižiūrimi.
- Pasirūpinkite, kad operatorius būtų tinkamai išmokytas variklinio įrankio saugos reikalavimų, reguliavimo ir naudojimo.
- Naudodami variklinį įrankį visada dėvėkite apsauginius akinius ir klausos apsaugos priemones. Rekomenduojama mėvėti pirštines ir avėti tvirtus, neslystančius batus.
- Prieš naudojant bet kokį priedą susipažinkite su jo naudojimo instrukcijomis. Netinkamai naudojant priedus gali būti padaryta žala ir kyla didesnis pavojus susižeisti.
- Naudokite tik šioje instrukcijoje nurodytas geležtes, atitinkančias standartą EN 847-1.
- Atkreipkite dėmesį į didžiausią leistiną greitį, pažymėtą ant pjūklo geležtės. Pasirūpinkite, kad greitis, nurodytas ant pjūklo geležtės, mažiausiai atitiktų greitį, nurodytą ant pjūklo.

- Visada naudokite veleno angų geležtes tinkamo dydžio ir formos. Geležtės, nepritaikytos pagal pjūklo montavimo detales, sukis ekscentriškai, dėl to pjūklo nesuvaldysite.
- Nenaudokite didesnio ar mažesnio skersmens geležčių nei rekomenduojama. Nenaudokite jokių tarpiklių, norėdami geležtę pritaikyti taip, kad ji atitiktų ašį.
- Prieš naudodami patikrinkite pjūklo geležtės ašmenis, ar jos nėra pažeistos ir ar nėra pasikeitusi jų išvaizda. Ašmenų galai, kurie yra pažeisti arba atspalaidavę, naudojant gali būti išsviesti ir padaryti sužalojimų.
- Nenaudokite įskilusių ar deformuotų geležčių. Nenaudokite pažeistų ar įtrūkusių pjūklo geležčių.
- Jei pjūklo geležtė yra pažeista, deformuota, persikreipusi ar įtrūkusi, ją atiduokite į atliekas; remontuoti jos negalima.
- Nenaudokite didelio greičio plieno (HSS) geležčių.
- Prieš naudojimą patikrinkite, ar pjūklo geležtė yra tinkamai pritvirtinta. Prieš naudodami tvirtai priveržkite peilio varžtą (priveržimo sukimo momentas maždaug 10-15 Nm).
- Varžtus ir veržles priveržkite naudodami tinkamą varžliaraktį.
- Neleidžiama naudoti varžliarakčio ilgutuvų arba priveržti smūgiuojant plaktuku.
- Užtikrinkite, kad visos geležtės ir jungės būtų švarios ir movos pusės su grioveliais būtų nustatytos prie disko.
- Užtikrinkite, kad geležtė suktųsi teisinga kryptimi.
- Prieš pradėdami darbą, atlikite tuščiaįgį pjūvį esant išjungtam varikliui, kad patikrintumėte geležtės padėtį bei tai, kaip veikia apsauginiai įrenginiai kitų staklių dalių bei ruošinio atžvilgiu.
- Niekada nepalikite veikiančio įrankio be priežiūros.
- Geležtei sukantis jos netepkite alyva.
- Niekada neatlikite jokių valymo ar techninės priežiūros darbų, kai įrenginys yra įjungtas ir veikiantis bei diskas sukasi.
- Niekada nemėginkite sustabdyti veikiančio variklinio įrankio staiga stabdydami įrankį ar kitą priemonę prieš peilio sukimosi kryptį. Tokie būdai netyčia gali įvykti rimtų nelaimingų atsitikimų.
- Atjunkite pjūklą nuo maitinimo iš tinklo ar akumuliatoriaus ir tik tada keiskite peilius arba atlikite techninę priežiūrą.
- Supakuodami arba išpakuodami atkreipkite dėmesį į peilį. Lengva susižaloti į aštrius peilio ašmenis.
- Dirbdami su pjūklo geležte naudokite laikiklį arba mėvėkite pirštines.
- Peilį saugokite ir laikykite originalioje pakuotėje ar kitoje tinkamoje pakuotėje. Laikykite sausoje vietoje ir atokiai nuo chemikalų, kurie gali pažeisti peilį.

⚠ ĮSPĖJIMAS

- Dėvėkite akių ir klausos apsaugos priemones.
- Atsargiai, kad neperkaistų pjoviklio galas. Nenaudokite atšipusių ir pažeistų geležčių. Nenaudokite įrankio jėga.
- Naudokite tik rekomenduojamas mūro geležtes.





PAPILDOMI SAUGOS PERSPĖJIMAI

- Su pjūkle nenaudokite jokių abrazyvinių žiedų.
- Naudokite tik tokio skersmens (tokių skersmenų) diskus, kokie yra nurodyti parametruose.
- Nustatykite, koks pjovimo diskas yra tinkamas konkrečiai medžiagai pjauti.
- Naudokite tik tokius pjovimo diskus, ant kurių nurodytas maksimalus sukimosi greitis prilygsta arba viršija ant įrankio nurodytą sukimosi greitį.
- Naudokite tik gamintojo rekomenduojamus pjovimo diskus, kurie atitinka standartą EN 847-1, skirtus medienai ir panašioms medžiagoms pjauti.
- Dėvėkite kaukę nuo dulkių.
- Tik RCS1400: Dėl srovės pertrūkio įtampa pradeda svyruoti bei gali turėti įtakos kitiems prie tos pačios energijos grandinės prijungtiems elektros prietaisams. Kad sumažintumėte įtampos svyravimus, gaminįjunkite į maitinimo tinklą, kurio tariamoji varža yra $Z_{max}=0.459 \Omega$.

SAUGA DIRBANT SU LAZERIU (RCS1600)



- Šio pjūklo lazerio kreiptuvo spinduliai yra 2 klasės max $\leq 1\text{mW}$ ir 650 nm bangų ilgio. Nežiūrėkite tiesiai į lazerio spindulį. Jei nesilaikysite taisyklių, galite rimtai susižaloti.



- Komplekte yra lipnioji etiketė jūsų kalba. Prašome, kad ją užklijuotumėte ant angliško įspėjamosios etiketės teksto prieš pradėdami eksploatuoti mechanizmą.
- Darbo metu nežiūrėkite į spindulį.
- Lazerio spindulio nenukreipkite tiesiai į kitų asmenų akis. Tai gali sunkiai sužeisti akis.
- Lazerio nelaikykite tokioje padėtyje, kad kiti asmenys būtų priversti tyčia ar netyčia žiūrėti į lazerio spindulius.
- Nenaudokite optinių įrankių siekiant žiūrėti į lazerio spindulį.
- Lazerio nenaudokite vaikams esant šalia, taip pat neleiskite vaikams juo naudotis.
- Nebandykite remontuoti lazerio įtaiso patys.
- Nebandykite patys pakeisti jokių lazerio detalių.
- Bet kokius remonto darbus gali atlikti tik lazerio gamintojas ar įgaliotas techninės priežiūros atstovas.
- Lazerio nekeiskite kitokios rūšies lazeriu.

ŠALUTINIS PAVOJUS

Net naudojant gaminį griežtai pagal paskirtį neįmanoma visiškai atmesti kai kurių liktinių rizikos veiksnių. Naudojant gali kilti toliau nurodyti pavojai ir naudotojas turi būti ypatingai atsargus, kad išvengtų šių pavojų:

- Atatrankos jėgos sukeliama pažeidimai
 - Perskaitykite ir supraskite šiam vadove pateikiamą informaciją.
 - Dulkių sukeliama žala
 - Dulkęs gali patekti į akis ar kvėpavimo sistemą. Būtinai dėvėti akių apsaugą. Dėvėkite atitinkamą apsaugos nuo dulkių kaukę su filtrais, tinkamais apsaugoti nuo apdirbamos medžiagos dalelių. Darbo vietoje negalima valgyti, gerti ar rūkyti. Užtikrinkite tinkamą ventiliaciją.
 - Elektros smūgio sukelta trauma
 - Geležtė gali prisiliesti prie paslėptos elektros instaliacijos ir pjūklelis gali tapti srovės laidininku. Gaminį būtina laikyti už tam skirtų rankenų ir atsargiai akluoju būdu pjauti sienas bei grindis, kuriose gali būti paslėpti laidai.
- PASTABA:** Šlifuojant sienas ar pjaunant jose angas, reikia būti atsargiems ir nepažeisti elektros laidų ar dujotiekio arba vandentiekio vamzdžių.
- Sužeidimai prisilietus prie geležtės
 - Geležtės labai aštrios ir pjaunant įkaista. Keičiant geležtes, reikia mūvėti pirštines. Rankas būtinai reikia laikyti atokiai nuo pjovimo srities. Niekada pjaunamo ruošinio nelaikykite rankose ar ant kojų. Kai yra galimybė, ruošinį reikia suspausti.
 - Vibracijos sukeliama pažeidimai
 - Ribokite buvimą darbo aplinkoje. Žr. "Rizikos Veiksnių Mažinimas".

RIZIKOS MAŽINIMAS

Pranešama, kad rankinių įrankių keliamos vibracijos kai kuriems asmenims gali paskatinti Reino sindromo vystymąsi. Šios ligos požymiai yra pirštų dilgčiojimas, nutirpimas ir pabalimas, paprastai pasireiškiantis nuo šalčio. Šie simptomai vystosi dėl paveldimų veiksnių, nesisaugant nuo šalčio ir drėgmės, dėl mitybos, rūkymo ir darbo praktikos. Operatorius gali imtis šių priemonių, kurios gali sumažinti vibracijos poveikį:

- Apsirenkite kuo šilčiau šaltu oru. Dirbant šiuo prietaisu mūvėkite pirštines, kad plaštakos ir riešai būtų laikomi šilčiau. Turime pranešimų, kad Raynaud sindromas labiausiai vystosi nuo šalto oro sąlygų.
- po darbo kiekvieną kartą pasportuokite, kad pagerėtų kraujotaka;
- dažnai darykite darbo pertraukas. Apribokite darbo laikotarpį per dieną.

Jei jums pasireiškia kokie nors šios būklės simptomai, nedelsdami nutraukite darbą ir kreipkitės į gydytoją.

⚠ ĮSPĖJIMAS

Ilgai naudojant įrankį, galima susižaloti arba pakenkti sveikatai. Ilgiau naudojant įrankius, reikia reguliariai daryti pertraukas.

GERAI IŠMANYKITE APIE GAMINĮ

Žiūrėti 135 psl.

1. Perjungiklis



2. Blokavimo mygtukas
3. Viršutinis apsauginis gaubtas
4. Dulkių angos adapteris
5. Apatinio apsauginio gaubto svirtis
6. Peilio varžtas
7. Apatinis apsauginis gaubtas
8. Rankena, izoliuotu paviršiumi
9. Kampinė skalė
10. Kampinės skalės užraktas
11. Išilginio pjovimo kreipiklio fiksatorius
12. Atraminė dalis
13. Lazerio galvutė (RCS1600)
14. Geležtė
15. Veržliaraktis
16. Pjovimo užtvaros kreiptuvas

PRIEŽIŪRA

⚠️ ĮSPĖJIMAS

Perforatoriaus jokiū būdu negalima jungti į maitinimo šaltinį montuojant dalis, reguliuojant, valant, atliekant priežiūros darbus ar jo nenaudojant. Atjungę įrenginį nuo elektros tinklo išvengsite netyčinio paleidimo, kuris gali tapti sunkaus susižalojimo priežastimi.

⚠️ ĮSPĖJIMAS

Atlikdami techninę priežiūrą, naudokite tik originalias gamintojo atsargines dalis, priedus ir įtaisus. Kitų detalių naudojimas gali sukelti pavojų ar sugadinti įrankį.

⚠️ ĮSPĖJIMAS

Stabdžių skysčiai, gazolinas ir benzino produktai, skvarbiuos alyvos ir pan. jokiū būdu negali patekti ant plastiko dalių. Juose yra chemikalų, kurie gali sugadinti, pažeisti arba susilpninti plastiką.

- Valydami plastikines detales, nenaudokite tirpiklių. Daugelis plastikų jautrūs įvairių tipų komerciniams tirpikliams ir juos naudojant galima pažeisti plastikines detales. Valydami purvą, anglies dulkes ir kt. naudokite švrią šluostę.
- Prieš montuodami ar nuimdami pjūklą geležtę, įrankį nuo elektros maitinimo šaltinio būtinai atjunkite. Gaminį ir jo apsaugos sistemą valykite švriomis šluostėmis.
- Dirbdami su elektriniu įrankiu ar kai pučiamos dulkės, visada dėvėkite apsauginius akinius ar akinius su šonine apsauga. Jei darbo metu kyla dulkės, taip pat dėvėkite kaukę nuo dulkių.
- Jeigu maitinimo laidas pažeisats, jį reikia pakeisti specialiu laidu ar montažo dalimis, kurias galima įsigyti iš gamintojo ar pardavimo atstovo techninio aptarnavimo centro.
- Kad būtų saugiau ir patikimiau, visus remonto darbus turi atlikti įgaliojotasis techninio aptarnavimo centras.

SUTĖPIMAS

Kad įprastomis darbo sąlygomis perforatorius ilgai nesusidėvėtų, visi jo guoliai sutepti reikiamu kiekiu aukštos

klasės tepalo. Todėl daugiau jo tepti neboreikia.

APLINKOS APSAUGA



Žaliavines medžiagas perdirbkite pakartotinai, o ne išmeskite kaip atliekas. Mechanizmas, priedai ir pakuotės turi būti laikomi pakartotinai perdirbti aplinkai nekenksmingu būdu.

SIMBOLIAI ANT ĮRENGINIO



Saugos perspėjimas

V

Volta

Hz

Hercai

~

Kintamoji srovė

W

Vatai

n°

Greitis be apkrovimo

min⁻¹

Apsukos ar judėjimas per minutę



II klasė, dviguba izoliacija



Mediena



Nepjaukite metalo



Dėvėkite klausos apsaugos priemones



Dėvėkite akių apsaugos priemones



Lazerio spindulio radiacija.
Nežiūrėkite tiesiai į spindulį.
2 klasės lazerio gaminys
λ: 650nm; P≤1mW
EN 60825-1:2014



Pavojus! Aštri geležtė.



Saugokite nuo lietaus.



Pjovimo plotis



Geležtės dantukų skaičius



CE atitiktis



„EurAsian“ atitikties ženklas



Ukrainos atitikties ženklas



Atidžiai perskaitykite instrukcijas prieš pradėdami naudoti mechanizmą.



Elektrinių produktų atliekos neturi būti metamos kartu su namų ūkio atliekomis. Prašome perdirbkite jas ten, kur yra tokios perdirbimo bazės. Dėl perdirbimo patarimo kreipkitės į savo vietinę savivaldybę ar pardavėją.

SIMBOLIAI VADOVE



Jungimas prie maitinimo lizdo.



Išjungimas iš maitinimo lizdo.



Detalės arba priedai yra parduodami atskirai



Bloktėtājs



Atrakinti



Pastaba

Šie signaliniai žodžiai yra skirti nurodyti su prietaiso naudojimu susijusio pavojaus lygį.

PAVOJUS

Rodo grėšiančią pavojingą situaciją, kurios neišvengus galima patirti mirtiną arba sunkų sužalojimą.

ĮSPĖJIMAS

Rodo potencialiai pavojingą situaciją, kurios neišvengus galima patirti mirtiną arba sunkų sužalojimą.

ATSARGIAI

Rodo potencialiai pavojingą situaciją, kurios neišvengus galima patirti nesunkų arba vidutinio sunkumo sužalojimą.

ATSARGIAI

(Be įspėjamojo šauktuko) Reiškia situaciją, kurioje galima sugadinti turtą.



Ketassae juures on peetud esmatähtsaks selle ohutust, töövõimet ja töökindlust.

OTSTARBEKOHANE KASUTAMINE

Ketassaag on mõeldud kasutamiseks täiskasvanutele, kes on lugenud läbi selles kasutusjuhendis olevad juhised ja hoiatused ning saavad neist aru, ja kes suudavad oma tegevuse eest vastutada.

Toode on mõeldud puidusse või sarnastesse materjalidesse maksimaalselt 54 mm sügavuste piki- ja ristõigete tegemiseks. Tootega saab teha sirglõikeid või kaldlõikeid vahemikus 0 ja 45 kraadi. Kasutamise ajal peab saetald toorikuga kokku puutama. Tööriista tohib kasutada ainult kuivas, hästi valgustatud ja ventileeritud töökohas.

Kasutamise ajal hoitakse toodet käes. Toodet tohib kinnitada tööpingi külge vaid siis, kui selle teostamiseks on olemas sae tootja konkreetsed juhised. Ärge kasutage metalli või müüritise lõikamiseks.

Ärge kasutage seadet ühelgi muul viisil kui mainitud sihtotstarbeks. Tööoperatsiooniks mitte ettenähtud elektritööriista kasutamine võib tekitada ohtliku olukorra.

⚠ HOIATUS

Lugege läbi kõik mehaanilise tööriista kohta esitatud ohuhoiatused ning tutvuge tööriista jooniste ja tehniliste andmetega. Allpool esitatud hoiatuste ja juhiste eiramise puhul on oht saada elektrilööki või raskeid kehavigastusi ning/või tekitada tulekahju.

Hoidke kõik hoiatused ja juhised edaspidiseks juhendumiseks alles.

KETASSAE OHUTUSNÕUDED

SAAGIMINE

⚠ OHT.

Hoidke käed saagimispiirkonnast ja saekettast eemal. Hoidke oma teist kätt lisakäepidemel või mootori korpusel. Kui saagi hoida kahe käega, siis ei saa oma käsi ohtu seada.

- **Ärge sirutage oma kätt tooriku alla.** Kaitse ei saa teid kaitsta saeketta eest tooriku all.
- **Reguleerige lõikesügavus välja vastavalt tooriku paksusele.** Tooriku alt peaks saeketas välja paistma vähem kui ühe hamba kõrguse võrra.
- **Ärge mingil juhul hoidke lõigatavat detaili oma käes või jala peal.** Kinnitage toorik kindlale alusele. Kinnitamine on väga oluline selleks, et vältida kehaga kokkupuutumise või haakumise ohtu ja kontrolli kaotamist sae üle.
- **Hoidke elektritööriista üksnes käepidemete isoleeritud pinnast, kui sooritate toimingut, mille käigus võib lõikeriist kokku puutuda varjatud elektrijuhtme või tööriista oma juhtmega.** Pinge all olevate juhtmetega kokku puutumisel jäävad tööriista isoleerimata metallosad pinge alla ja kasutaja võib

saada elektrilöögi.

- **Pikisaagimisel kasutage alati juhtjoonlauda või servajuhikut.** Sellega paraneb lõiketäpsus ja väheneb võimalus saeketta kinnijäämiseks.
- **Kasutage ainult õiget mõõtu ja õige (saeketta mitte teemantketta) völliavaga saeketast.** Sae kinnitusedetailidega mittesobivad saekettad pöörlevad eksstentsiaalset ja põhjustavad sellega kontrolli kadumist sae üle.
- **Ärge kasutage vigastatud või mittesobivaid saeketta äärikuid või polti.** Ainult komplektis olevad saeketta äärikud ja polt on sellele saele sobivad ning need tagavad optimaalse tootluse ja tööohutuse.

TAGASILÖÖK JA SELLEGA SEOTUD HOIATUSED.

- tagasilöök on kinnikiiluvast või valesti paigaldatud saekettast põhjustatud äkiline reaktsioon, mille tagajärjel tuleb saag lõikejoonest kontrollimatult välja ja liigub kasutaja suunas;
- kui saeketas on sulguvas lõikejoones kinni kiilunud, siis saeketas blokeerub ja mootori jõud paiskab sae tagasi kasutaja poole;
- kui saeketas saetees väändub või sellest hõlbib, siis võib saeketta hamba tagaserv siseneda puidu ülapiinna sisse ja põhjustada saeketta saeteest ülestõusmise ning paiskuda kasutaja suunas.

Tagasilöök on sae väärkasutamise, ebaõigete töövõtete või tööks mittevastavate töötingimuste tulemus ja seda saab vältida allpool esitatud ettevaatusabinõude rakendamiseiga.

- **Hoidke sae mõlemast käepidemest tugevasti kinni ja seadke käsivarred tagasilöögiõududele vastuvõtmiseks sobivasse asendisse. Seiske saeketta kõrval, mitte saeketta suunas.** Tagasilöök võib põhjustada sae tagasipaiskumise, aga kasutaja saab õigeid ettevaatusabinõusid rakendades tagasilöögiõudusid siiski hallata.
- **Kui saeketas jääb kinni või lõikamine mingil muul põhjusel katkeb, vabastage lüliti ja hoidke saagi liikumatuna tooriku sees seni kui saeketas täielikult seiskub. Ärge püüdke võtta lõikeketast toorikust välja või tõmmata saagi tagasi saeketta liikumise ajal, muidu võib ilmneda tagasilöök.** Uurige saeketta kinnijäämise põhjus välja ja võtke meetmeid selle kõrvaldamiseks.
- **Kui tooriku sees oleva sae uuesti käivitata, seadke saeketas saetele teljele ja kontrollige, et saehambad ei ole tooriku materjalis kinni.** Kui saeketas on kinni kiilunud, võib see töödeldavast detailist välja tulla või põhjustada sae taaskäivitamisel tagasilöögi.
- **Toetage suuri plaate, et minimeerida ketta kinnijäämise ning tagasilöögi riski.** Suurtel plaatidel on kalduvus oma raskuse all läbi vajuda. Toed tuleb paigutada paneeli alla, mõlemale küljele lõikejoone lähedale ja paneeli äärte alla.
- **Ärge kasutage nürvi või vigastatud saeketast.** Teritamata või valesti paigaldatud saekettad lõikavad kitsa saete, mis põhjustab ülemäärast hõõrdumist, saeketta kinnijäämist ja tagasilööki.
- **Saeketta sügavuse ja kalde reguleerimishoovad**

EN
FR
DE
ES
IT
NL
PT
DA
SV
FI
NO
RU
PL
CS
HU
RO
LV
LT
ET
HR
SL
SK
BG
UK
TR
EL





tuleb enne lõikamise alustamist tugevasti ning kindlalt kinni keerata. Kui saeketta seadistamise seadised saagimise ajal liiguvad, siis võib saeketas kinni jääda või anda tagasilöögi.

- **Olge olemasoleva seinasse või teistesse varjatud kohtadesse lõikamisel eriti ettevaatlik.** Saeketta väljalaulav osa võib lõikuda tundmatu objekti sisse ja põhjustada tagasilöögi.

SAEKETTA OHUTUSEESKIRJAD

- Enne saeketta ja elektrilise tööriista kasutamist lugege kasutusjuhend ja selles olevad juhised hoolikalt läbi.
- Elektriline tööriist peab olema heas seisukorras, võll ilma deformatsioonideta ja see ei tohi vibreerida.
- Ärge kasutage saagi, kui kettakaitseid ei ole oma kohale kinnitatud. Hoidke kaitseid töökorras ja nõuetekohaselt hooldatud olekus.
- Veenduge, et töötaja on saanud piisava koolituse ohustehnika, elektrilise tööriista seadistamise ja sellega töötamise alal.
- Kui kasutate elektrilist tööriista, kandke alati kaitseprille ja kõrvakaitseid. Soovitav on kanda kindaid ja tugevast materjalist mittelibiseva tallaga jalatseid.
- Enne ükskõik millise tarviku kasutamist tutvuge kasutusjuhendi vastavate nõuetega. Tarviku väärkasutamine võib põhjustada kahju ja suurendada võimalike vigastuste ohtu.
- Kasutage ainult kasutusjuhendis ettenähtud saekettaid, mis vastavad standardile EN 847-1.
- Pidage kinni saekettale märgitud maksimaalkiirusest. Veenduge, et saekettal märgitud pöörlemiskiirus on sael märgitud pöörlemiskiirusega vähemalt võrdne.
- Kasutage ainult õiget mõõtu ja õige võlliavaga saeketast. Sae kinnitustdetailidega mittesobivad saekettad pöörlevad ekstsentriliselt ja põhjustavad sellega kontrolli kadumist sae üle.
- Ärge kasutage saekettaid, mille läbimõõt on suurem või väiksem kui soovitatud. Ärge kasutage saeketta sobitamiseks mingeid vaheseibe.
- Kontrollige enne iga kasutuskorda, et saeketta hambad ei oleks kahjustatud ega ebatavalise välimusega. Kahjustatud või lahtised hambatipud võivad tööriista kasutamise ajal lenduda ja suurendada vigastuste ohtu.
- Ärge kasutage pragunenud ega aukliikku saeketast. Ärge kasutage saekettaid, mis on vigastatud või deformeerunud.
- Visake kahjustatud, deformeerunud, kõver või mõranenud saeketas ära; selle parandamine on keelatud.
- Ärge kasutage kiirlõiketerasest saekettaid.
- Enne kasutamist veenduge, et saeketas on nõuetekohaselt paigaldatud. Enne kasutamist keerake saeketta polt tugevalt kinni (pingutusmoment u 10-15 Nm).
- Kinnituspoltide ja -mutrite pingutamiseks kasutage sobivat mutrivõtit.
- Keelatud on kasutada mutrivõtme pikendust või lüüa haamriga.
- Veenduge, et saekettad ja äärikud on puhtad ja äärikud

tugipinnad on vastu saeketta pinda.

- Kontrollige, kas saetera pöörlemissuund on õige.
- Enne töö alustamist tehke lõiget imiteeriv liigutus mootorit käivitamata, et kontrollida lõikeketta asendit ja kaitsekatte liikumist teiste masinaosade ning toriku suhtes.
- Ärge jätke masinat pöörlema järelevatva.
- Ärge kandke töötamise ajal saekettale määrdeaineid.
- Ärge hakake tegema mingeid puhastus- või hooldustöid seni, kui masin pöörleb ja saepea ei ole liikumatus olekus.
- Ärge kunagi püüdke peatada töötavat elektritööriista liiga kiiresti, takistades saeketta liikumist. See võib tahtmatult põhjustada tõsiselt õnnetusi.
- Enne saeketaste vahetamist või hooldustöid lülitage saagivoluvõrgust või aku küljest lahti.
- Pakkimise ja lahtipakkimise käigus pöörake tähelepanu saekettale. Teravad saeketta hammaste tipud võivad teid kergesti vigastada.
- Kasutage saeketaste teisaldamisel katet või kandke kindaid.
- Hoidke ja hoiustage ketas originaalpakendis või mõnes muus sobivas pakendis. Hoidke kuivades tingimustes ja eemal kemikaalidest, mis võivad kahjustada saeketast.

⚠ HOIATUS

- Kandke kaitseprille ja kuulmiskaitsevahendeid.
- Vältige lõikeketta teraotste ülekuumenemist. Ärge kasutage nööri või vigastatud saeketast. Ärge kasutage töötamisel liigest jõudu.
- Kasutage ainult soovitatud saekettaid.

TÄIENDAVID OHUTUSJUHISED

- Ärge kasutage abrasiivlõikekettaid.
- Kasutage vaid märgistusele vastava läbimõõduga lõiketera.
- Tehke kindlaks, milline on õige saeketas materjali lõikamiseks.
- Kasutage vaid selliseid saekettaid, mille kiirus on võrdne või suurem kui tööriistale märgitud kiirus.
- Kasutage üksnes tootja poolt soovitatud puidule ja analoogsetele materjalidele mõeldud saekettaid, mis vastavad standardile EN 847-1.
- Kandke tolmutmaski.
- Ainult RCS1400 jaoks: Voolutõukesed põhjustavad pingekõikumisi ja võivad mõjutada samasse toiteahelasse ühendatud elektriseadmete tööd. Ühendage seade toitevõrku, mille näivtakistus on $Z_{max}=0.459 \Omega$, et pingekõikumisi minimeerida.



LASERI OHUTUS (RCS1600)



■ Sael kasutatava laseri kiirgus kuulub klassi 2, mille võimsus on $\leq 1\text{mW}$ ja lainepikkus 650 nm. Ärge vaadake laserikiirele otse vastu. Kasutusreeglite eiramine võib põhjustada tõsiseid kehavigastusi.



Enne seadme kasutamata hakkamist kleepige komplektis olev kleebis olemasoleva ingliskeelse hoiatussildi peale.

- Ärge vaadake laserikiirele töö ajal otse vastu.
- Ärge suunake laserikiirt kõrvalolijatele silma. See võib põhjustada raskeid silmavigastusi.
- Ärge paigutage seadet asendisse, mille puhul võib laserikiir tahtmatult või tahtlikult kellegi silma tabada.
- Ärge kasutage laserikiire vaatamiseks mingit optilist seadet.
- Ärge kasutage laserjuhikut laste juures ega laske lastel seda kasutada.
- Ärge püüdke laserjuhikut ise parandada.
- Ärge püüdke ise muuta ühegi laserjuhiku osa konstruktsiooni.
- Remonti tohib teha vaid laseri tootja või tema volitatud agent.
- Ärge varustage seda laserjuhikut muud tüüpi laseriga.

JJÄÄKRISKID

Isegi siis, kui seadet kasutatakse kirjeldatud viisil, ei ole võimalik kõrvaldada kõiki jääkriskide mõjureid. Töötamise ajal võivad tekkida järgmised ohud, millele operaator peab pöörama erilist tähelepanu.

- Tagasilöögist põhjustatud vigastus.
 - Lugege selles käsiraamatus toodud materjal läbi ja veenduge, et saate sellest aru.
- Tolmust põhjustatud kehavigastus
 - Tolm võib sattuda silma või hingamisorganitesse. Kandke alati silmakaitsevahendeid. Kasutage sobivat tolumumaski, mille filtrid kaitsevad lõigatava materjali osakeste eest. Ärge töökohal sööge, jooge ega suitsetage. Kindlustage nõuetekohane ventilatsioon
- Elektrilöögist põhjustatud vigastus
 - Lõiketera võib sattuda kokkupuutesse varjatud juhtmestikuga ja seadme osad satuvad pingele alla. Hoidke seadet alati ettenähtud käepidemetest ja olge ettevaatlik varjatud kaablite suhtes, kui teete sisselõikeid seintesse ja põrandatesse.

MÄRKUS: Avade puurimisel seintesse, põrandatesse olge ettevaatlik, et vältida kaableid, gaasi- ja veetorusid.

- Lõiketeraga kokkupuutesse sattumisest põhjustatud kehavigastus
 - Saelehed on väga teravad ja kuumenevad kasutamise ajal. Kandke saelettude vahetamise ajal kaitsekindaid. Hoidke käed alati lõikamispiirkonnast eemal. Ärge mingil juhul hoidke lõigatavat detaili oma käes või jala peal. Võimaluse korral kinnitage toorik kruustangide vahele.
- Vibratsioonist põhjustatud kehavigastus
 - Piirake kokkupuudet. Consulte el apartado "Reducción De Riesgos".

RISKI ALANDAMINE

Teadaolevalt võib käsitööriistade kasutamine põhjustada mõnedel inimestel seisundit, mida nimetakse Raynaud' sündroomiks. Sümptomidena võib ilmnedda sõrmede tuimus ja valkjaks muutumine, mis tavaliselt ilmneb külmas töötamisel. Nende sümptomite puhul tuleb hoiduda külmast ja niiskusest, dieedist ning suitsetamisest ja kasutada õigeid tööõivete. Vibratsiooni mõju vähendamiseks tuleb rakendada järgmisi abinõusid.

- Külma ilmaga hoidke oma keha soe. Kandke kindaid, et hoida oma käed ja randmed soojad. Uuringud näitavad, et Raynaud's Syndrome ilmneb põhiliselt külma ilmaga.
- Pärast külmas töötamist tehke harjutusi, et verevarustust kiirendada.
- Tehke regulaarselt töovahegaegaid. Piirake tööperioodi pikkust.

Kui ilmnevad haigustunnused, lõpetage kohe töö ja pöörduge arsti poole.

HOIATUS

Seadme pikaajalisel kasutamisel võite saada kehavigastusi või vigastused võivad süveneda. Seadme kasutamisel pika aja jooksul tuleb teha korralisi vahegaegaid.

ÕPPIGE OMA TOODET TUNDMA

Vt lk 135.

1. Päästik
2. Vabastusnupp
3. Ülemine kaitse
4. Tolmu kogumise adapter
5. Alumine kaitse hoob
6. Saeketta poit
7. Alumine kaitse
8. Isoleeritud haardepinna käepide
9. Lõikenurga skaala
10. Lõikenurga skaala lukk
11. Paralleeltõkis
12. Alusplaat
13. Laserpea (RCS1600)
14. Saeketas
15. Võti
16. Ristlõike juhik

HOOLDUS

⚠ HOIATUS

Seade ei tohi mingil juhul olla toitepinge all sel ajal kui kinnitate selle osi, teete reguleerimistoiminguid, puhastate või hooldate seadet ning siis kui seda ei kasutata. Toote eemaldamine toitevõrgust hoiab ära ootamatu käivitumise, mis võib põhjustada raskeid vigastusi.

⚠ HOIATUS

Kasutage teenindamisel ainult tootja originaalvaruosi, tarvikuid ja tööorganeid. Muude osade kasutamine võib tekitada ohuolukorra ja põhjustada seadme vigastumise.

⚠ HOIATUS

Ärge laske plastosadel mitte mingil juhul sattuda kokkupuutesse auto pidurivedeliku, bensiini, bensiinipõhiste toodete, immutusõlidega või muude samalaadsete vedelikega. Kemikaalid võivad kahjustada, nõrgendada või hävitada plastiku, mis võib omakorda põhjustada vigastusi kasutajale.

- Vältige plastosade puhastamisel lahustite kasutamist. Enamik plaste on tundlikud kaubandusvõrgust saadaolevate lahustite suhtes ja võivad nende mõjul oma omadusi kaotada. Tolmust, õlist, määrdest ja muust mustusest puhastamiseks kasutage puhast riidelappi.
- Enne saeketta kinnitamist või eemaldamist veenduge, et sae toide on lahti ühendatud. Puhastage toode ja kaitseüsteemid puhta lapiga.
- Töötamisel ja tolmü ärapuhumisel kandke alati silmamaski või küljekaitsetega kaitseprille. Kui töötlemine on tolmune, siis kandke tolmu maski.
- Vigastatud toitejuhe tuleb asendada nõuetele vastava juhtme või juhtmekomplektiga, mis on saadaval tootja või hooldusettevõtte käest.
- Kõik remonttööd tuleb lasta teha volitatud hoolduskeskuses, et tagada masina ohutus ja töövõime.

MÄÄRIMINE

Kõik selle tööriista laagrid on tehases täidetud piisava hulga kvaliteetse määrdega, mis tagab tavatingimustes nende töövõime kogu kasutusea jooksul. Seetõttu ei ole täiendav määrimine vajalik.

KESKKONNAKAITSE



Taaskasutage materjale nende jäätmekäitluse andmise asemel. Masin, selle lisaseadmed ja pakend tuleb jäätmekäitluseks keskkonناسõbralikult sorteerida.

MASINAL OLEVAD SÜMBOLID



Ohuhoiatus

V

Volt

Hz

Hertz

~

Vahelduvvool

W

Watt

n₀

Kiirus ilma koormuseta

min⁻¹

Pöörete või löökide arv minutis



Klass II, topeltisolatsiooniga



Puit



Ärge saagige metalle



Kandke kuulmise kaitsevahendeid



Kandke silmade kaitsevahendeid



Laserkiirus.

Ärge vaadake laserikiirele otse vastu.

klassi laserseade
λ: 650nm; P≤1mW
EN 60825-1:2014



Oht! Terav lõikeketas.



Ärge jätke vihma kätte



Lõikelaius



Lõiketera hammas



CE-vastavus



Euraasia vastavusmärk



Ukraina vastavusmärgis



Enne seadme kasutamist lugege palun kasutusjuhend hoolega läbi.



Mittekasutatavaid elektritooteid ei tohi visata olmejäätmete hulka. Vaid tuleb viia vastavasse kogumispunkti. Vajadusel küsige sellekohast nõu oma edasimüüjalt või vastavalt kohaliku omavalitsuse institutsioonilt.

KASUTUSJUHENDIS KASUTATUD SÜMBOLID



Ühendage toitevõrku.



Ühendage seade toitevõrgust lahti.



Eraldi ostetavad osad või tarvikud



Lukk



Lahtikeeramine



Märkus

Järgnevad märguandesõnad ja tähendused on mõeldud selle toote kasutamiseiga seotud riskitasemete kirjeldamiseks.

OHT.

Osutab ähvardavale ohuolukorrale, mille mittevältimine lõpeb surma või tõsise vigastusega.

HOIATUS

Osutab võimalikule ohuolukorrale, mille mittevältimine võib lõppeda surma või tõsise kehavigastusega.

ETTEVAATUST

Osutab võimalikule ohuolukorrale, mille mittevältimine võib lõppeda väiksemate või mõõdukate kehavigastustega.

ETTEVAATUST

(Ilma ohutussümbolit) Viitab olukorrale, mis võib põhjustada kahjustusi varale.



Dizajn Vaše kružne pile počiva na prioritetima sigurnosti, visokih performansi i pouzdanosti.

NAMJENA

Kružnu pilu smiju koristiti isključivo punoljetne osobe koje su pročitale i razumjele upute i upozorenja u ovom priručniku i koje se mogu smatrati odgovornima za svoje postupke.

Proizvod je projektiran za uzdužno i poprečno rezanje drveta ili sličnih materijala do maksimalne dubine od 54 mm. Proizvod može praviti ravne i kose rezove u rasponu od 0 do 45 stupnjeva. Osnovica alata za vrijeme korištenja mora biti u kontaktu s radnim komadom. Pila je namijenjena korištenju isključivo u suhim, dobro osvijetljenim i prozračenim prostorima.

Proizvod je namijenjen za ručnu uporabu. Proizvod se ne smije montirati na radni stol osim ako proizvođač pile ne da posebne i specifične upute o tome kako to učiniti. Nemojte koristiti za rezanje metala ili zidova.

Nemojte koristiti proizvod na bilo koji drugi način od onog za koji je namijenjen. Korištenje električnog alata za radove drugačije od njegove namjene može dovesti do opasne situacije.

⚠ UPOZORENJE

Pažljivo pročitajte sva upozorenja, upute i specifikacije priložene uz alat i pogledajte crteže. Nepoštivanje svih uputa može dovesti do električnog udara, požara i / ili teške ozljede.

Spremite sva upozorenja i upute za buduće korištenje.

SIGURNOSNA UPOZORENJA ZA KRUŽNU PILU

POSTUPCI REZANJA

⚠ OPASNOST

Držite ruke dalje od područja rezanja i oštrice. Ruka kojom ne držite glavnu ručku alata mora držati pomoćnu ručku ili se nalaziti na karteru motora. Tako ruke ne izlažete opasnosti da se nađu u zoni rezanja, odnosno na putu oštrice.

- **Ne posežite ispod izratka.** Podesite dubinu rezanja ovisno o debljini komada koji obrađujete.
- **Zupci oštrice ne smiju tijekom rezanja sasvim prelaziti komad koji obrađujete.** NIKAD komad koji obrađujete ne pridržavajte rukom ili između nogu.
- **Učvrstite ga na stabilni nosač.** Osigurajte i stegnite radni komad na stabilnu podlogu. Alat držite samo za izolirane i protuklizne dijelove kad radite na površini koja bi mogla sakriti električne žice ili kad se zbog posla kabel za napajanje može naći na putanji alata.
- **Kada režete tako da postoji mogućnost da alat za rezanje dotakne skriveno ožičenje uređaja ili njegov vlastiti kabel napajanja, električni alat držite samo za izolirane površine za hvatanje.** Dodirivanje "žive" žice može izložiti metalne dijelove alata električnoj

energiji i dovesti do strujnog udara na operatera.

- **Tako ćete poboljšati preciznost rezanja i izbjeći ćete savijanje oštrice.** Uvijek upotrebljavajte oštrice koje su svojom veličinom i oblikom prilagođene drvetu.
- **Oštrice koje nisu prilagođene osovini na koju se postavljaju neće se ispravno okretati te može doći do gubitka kontrole nad alatom.** Nikad ne upotrebljavajte vijke i podložne pločice koji su oštećeni ili neprilagođeni.
- **Podložne pločice i vijci osmišljeni su posebno za vaš model pile kako bi se postigli optimalna sigurnost i učinak.** Dodatna sigurnosna pravila za sve vrste pile

UPOZORENJA NA POVRATNI UDAR I DRUGE VEZANE OPASNOSTI:

- povratni udar je iznenadna reakcija na priklješten, zaglavljen ili neporavnan list pile, što uzrokuje nekontrolirano dizanje pile prema gore i izvan obratka prema rukovatelju;
- kada je oštrica priklještena ili čvrsto zaglavljena zbog propiljka koji se zatvara prema dolje, list pile se zaustavlja, a reakcija motora pokreće jedinicu brzo natrag prema rukovatelju;
- Poskakivanje je dakle rezultat loše uporabe alata i/ili nepravilnih postupaka ili uvjeta piljenja.

Može ga se izbjeći ako se poštuju neke mjere opreza.

- **Čvrsto držite pilu dvjema rukama i postavite ih tako da mogu kontrolirati eventualno poskakivanje. Dok radite, stojte s jedne strane pile, nikako u ravnini s oštricom.** Poskakivanjem pila odjednom poleti prema natrag, no taj je pokret moguće kontrolirati ako korisnik to očekuje i pripremljen je.
- **Ako se oštrica uklješti ili ako morate iz bilo kojeg razloga prekinuti s piljenjem, otpustite otponac i držite pilu u komadu koji obrađujete sve dok se oštrica sasvim ne prestane okretati.** Nikada ne pokušavajte ukloniti pilu iz izratka ili povlačiti pilu unatrag dok se oštrica miče ili može doći do povratnog udara. Ako se oštrica uklješti, potražite razlog tomu i poduzmite potrebne mjere kako se to ne bi ponovno desilo.
- **Prije nego što ponovno uključite pilu i nastavite s rezanjem, ispravno poravnajte oštricu s rezom pile na drvetu i provjerite da zupci ne dodiruju komad koji obrađujete.** Ako se list pile savije, on se može kretati prema gore ili se odbiti od obratka čim se pila ponovno pokrene.
- **Pridržavajte duge komade koje obrađujete kako biste izbjegli da se oštrica uklješti i sveli tako opasnost od poskakivanja na najmanju moguću mjeru.** Dugi komadi koje obrađujete znaju se saviti pod vlastitom težinom. S dvije strane komada koji obrađujete možete postaviti nosače i to u blizini linije rezanja i na krajevima komada.
- **Ne upotrebljavajte tupe ili oštećene oštrice.** Nenaoštrene oštrice ili oštrice koje su loše postavljene proizvest će tanki trag pile i izazvati pretjerano trenje oštrice te tako i veću opasnost od savijanja ili poskakivanja.





- **Prije nego što započnete s rezanjem, provjerite jesu li gumbi za podešavanje dubine i nagiba pravilno blokirani.** Ako dolazi do promjene podešavanja položaja oštrice tijekom rezanja, postoji opasnost da se oštrica uklješti i može doći do poskakivanja.
- **Budite izrazito oprezni kada pilite u postojećim zidovima ili u područjima u kojima ne vidite rez.** Oštrica bi mogla udariti u skrivene elemente, što bi moglo prouzročiti poskakivanje.

SMANJENA FUNKCIJA ZAŠTITE

- **Prije svake uporabe provjerite da donji štitnik ispravno prekriva oštricu. Ne upotrebljavajte pilu ako se donji štitnik oštrice ne može slobodno pomicati i ako se odmah ne poklopi na oštricu. Donji štitnik oštrice nikad ne učvršćujte i ne pričvršćujte kad je u otvorenom položaju.** Kad bi pila slučajno pala, donji štitnik oštrice mogao bi se savinuti. Podignite donji štitnik oštrice pomoću ručice i provjerite može li se njime rukovati bez poteškoća te da ne dodiruje ni oštricu ni bilo koji drugi dio bez obzira na kut ili odabranu dubinu rezanja.
- **Provjerite je li opruga donjeg štitnika oštrice u dobrom stanju i radi li ispravno. Ako štitnik oštrice ili opruga ne rade ispravno, dajte ih popraviti prije ponovne uporabe pile.** Donji štitnik može raditi polaganom uslijed oštećenja dijelova, naslaga ljepljivosti ili nakupina ostataka.
- **Donji štitnik može se ručno uvući samo za posebne rezove kao što su „prividni rezovi“ i „složeni rezovi“.** Podignite donji štitnik oštrice pomoću ručice. Zatim, čim oštrica uđe u komad koji obrađujete, otpustite donji štitnik oštrice. Za sve ostale vrste piljenja, donji štitnik oštrice automatski se postavlja na mjesto.
- **Uvijek prije postavljanja pile na postolje ili na pod provjerite prekriva li donji štitnik oštrice dobro prekriva oštricu.** Ako oštrica nije ispravno prekrivena, po inerciji se može okrenuti i rezati što god joj se nađe na putu. Imajte na umu da se oštrica nastavi vrtjeti neko vrijeme nakon zaustavljanja motora.

SIGURNOSNE UPUTE ZA OŠTRICU (LIST) ZA REZANJE DRVA

- Prije korištenja električnog alata i pribora (listova za pilu) pročitajte korisnički priručnik i upute za korištenje.
- Električni alat mora biti u dobrom stanju, osovina vrtnje mora biti bez deformacija i vibracija pri radu.
- Nemojte koristiti pilu ako štitnici nisu na svojim mjestima. Držite štitnike u dobrom stanju i pravilno održavanim.
- Rukovatelj alatom mora biti primjereno obučan po pitanju sigurnosnih mjera, podešavanja te rada s električnim alatom.
- Prilikom korištenja električnog alata uvijek koristite zaštitne naočale i rukavice. Preporučuje se nošenje zaštitnih rukavica i čvrstih cipela koje se ne klizaju.
- Prije korištenja bilo kakvog dodatnog pribora pogledajte upute za uporabu. Nepravilno korištenje pribora može uzrokovati oštećenje alata i povećati mogućnost ozljede.
- Koristite samo oštricu navedenu u ovim uputama koja je u skladu s EN 847-1.

- Održavajte maksimalnu brzinu naznačenu na listu pile. Provjerite je li brzina označena na oštrici noža približno jednaka brzini označenoj na pili.
- Oštrice koje nisu prilagođene osovini na koju se postavljaju neće se ispravno okretati te može doći do gubitka kontrole nad alatom. Nikad ne upotrebljavajte vijke i podložne pločice koji su oštećeni ili neprilagođeni.
- Nemojte koristiti oštrice većeg ili manjeg promjera od preporučenog. Nemojte koristiti nikakve razmačnike kako biste priključili oštricu na osovinu.
- Prije svakog korištenja provjerite izgledaju li zupci lista pravilno te je li list oštećen. Oštećeni ili labavi zupci mogu prilikom korištenja alata postati leteći objekti i povećati opasnost od tjelesnih ozljeda.
- Nemojte koristiti slomljene ili iskorištene oštrice pile. Nemojte koristiti oštrice pile koje su oštećene ili deformirane.
- List pile koji je oštećen, deformiran, iskrivljen ili napuknut nije dozvoljeno popravljati.
- Nemojte koristiti HSS oštrice.
- Prije korištenja osigurajte da je list pile točno montiran. Prije korištenja sigurno zategnite vijak lista (zatezni moment oko 10-15 Nm).
- Zatezne vijke i matice potrebno je zategnuti pomoću odgovarajućeg ključa.
- Nije dozvoljeno korištenje produljenja zateznog ključa ili zatezanje vijaka udarcima čekića.
- Osigurajte da su sve oštrice i pribornice čiste i da su upuštene strane spojnice prema oštrici.
- Osigurajte da su rotirajuće oštrice u točnom smjeru.
- prije rada, izvršite probni rez bez uključenog motora kako biste pozicionirali oštricu, rad štitnika u odnosu na druge dijelove uređaja i izradak mogu se također provjeriti.
- Nikada ne ostavljajte alat da radi bez nadzora.
- Ne podmazujte list pile kad je pokrenut.
- Nikad ne vršite čišćenje ili održavanje kad je uređaj još pokrenut i njegova glava nije u stanju mirovanja.
- Nikada nemojte pokušavati zaustaviti električni alat u kretanju tako da ga zaglavite ili na bilo koji drugi način pokušate djelovati na list pile. Tako možete prouzročiti ozbiljne nesreće.
- Prije zamjene listova ili izvođenja održavanja odspojite pilu s glavnog napajanja ili s baterije.
- Prilikom spremanja ili vađenja alata pazite na oštricu (list). U suprotnom se lako možete ozlijediti na oštre rubove lista.
- Koristite držač ili nosite rukavice prilikom rukovanja s listom pile.
- Oštricu (list) čuvajte i pohranjujte u originalnoj ambalaži ili u drugom odgovarajućem pakiranju. Čuvajte u suhim uvjetima i dalje od kemikalija koje mogu oštetiti oštricu.



⚠ UPOZORENJE

- Nosite sredstva za zaštitu vida i sluha.
- Izbjegavajte pregrijavanje vrhova oštrice. Ne upotrebljavajte tupe ili oštećene oštrice. Nemojte alat koristiti iznad njegovih mogućnosti.
- Koristite samo preporučene listove pile.

DODATNA SIGURNOSNA UPOZORENJA

- Nikad ne upotrebljavajte brusni disk.
- Koristite samo promjer(e) listova pile u skladu s oznakama.
- Pronađite odgovarajući list pile za materijal koji ćete rezati.
- Koristite samo listove pile na kojima se nalazi oznaka brzine koja je jednaka brzini označenoj na alatu ili veća od nje.
- Koristite samo list pile koji preporučuje proizvođač, koji je usklađen s normom EN 847-1, ako je namijenjen za drvo i analogne materijale.
- Nosite masku protiv prašine.
- Samo za RCS1400: Vršna struja uzrokuje fluktuacije napona i može utjecati na druge električne proizvode na istoj liniji napajanja. priključite uređaj na napajanje s impedancijom jednakom $Z_{max}=0.459 \Omega$ za minimiziranje fluktuacije napona.

SIGURNOST LASERA (RCS1600)



- Zračenje laserskog vodiča koji je korišten u ovoj pili je Klasa 2 s maksimalnim valnim duljinama $\leq 1mW$ i 650 nm. Nemojte gledati izravno u lasersku zraku. Nepoštivanje ovih pravila može rezultirati ozbiljnim osobnim ozljedama.



- Isporučit ćemo vam naljepnicu na vašem jeziku i zahtjevamo da naljepite umjeto engleskog teksta na naljepnici o upozorenju prije puštanja u rad uređaja.
- Nemojte gledati u zraku tijekom rada.
- Ne usmjerujte lasersku zraku izravno u oči drugih. Može doći do ozbiljnih povreda.
- Nemojte postavljati laseru položaj koji može prouzročiti da bilo tko namjerno ili nenamjerno gleda u lasersku zraku.
- Nemojte koristiti optičke alate za gledanje laserske zrake.
- Nemojte raditi s laserom oko djece ili dopustiti djeci da rade s laserom.
- Ne pokušavajte samostalno popraviti laserski uređaj.

- Ne pokušavajte samostalno promijeniti nijedan dio laserskog uređaja.
- Sve popravke mora izvršiti samo proizvođač lasera ili ovlašteni zastupnik.
- Ne zamjenjujte laser s drugačijom vrstom.

PREOSTALE OPASNOSTI

Čak i kad je proizvod korišten kao što je prethodno opisano, još uvijek nije moguće potpuno isključiti ostale čimbenike opasnosti. Može doći do sljedećih opasnosti prilikom korištenja i operater mora obratiti posebnu pozornost kako bi izbjegao sljedeće:

- Povrede uzrokovane povratnim udarom
 - Pročitajte s razumijevanjem informacije u ovom priručniku.
- Ozljede uzrokovane prašinom
 - Prašina može dospjeti u oči ili dišni sustav. Cijelo vrijeme nosite sredstva za zaštitu očiju. Nosite primjerenu masku za kontrolu prašine s filterima prikladnim za zaštitu od čestica rezanog materijala. Nemojte jesti, piti ili pušiti u radom području. Osigurajte odgovarajuću ventilaciju radnog mjesta.
- Može doći do povreda od električnog udara
 - Oštrica može dotaknuti skrivene žice, uzrokujući da djelovi proizvoda dođu pod napon. Uvijek proizvod držite za ručke i vodite brigu kod rezanja u zidovima i podovima gdje može biti skrivenih kabela.

NAPOMENA: Kada radite u zidovima, podovima ili stropovima, pazite da izbjegnute električne kabele, cijevi za plin i vodu.

- Ozljede uzrokovane kontaktom s oštricom
 - Oštrice su vrlo oštre i postaju vrlo vruće tijekom korištenja. Nosite rukavice tijekom izmjene oštrice. Držite ruke dalje od područja rezanja. Učvrstite ga na stabilni nosač. Pričvrstite izradak gdje got je moguće.
- Ozljede uzrokovane vibracijom
 - Ograničite izloženost. Pogledajte „Smanjenje Opasnosti”.

SMANJENJE OPASNOSTI

Prijavljeno je da vibracije alata kod određenih pojedinaca mogu doprinijeti stanju pod nazivom Raynaud's Syndrome. Simptomi mogu uključivati trnce, ukočenost i bjelinu prstiju, obično uočljivo po izlaganju hladnoći. Smatra se da nasljedne osobine, izlaganje hladnoći i vlazi, dijeta, pušenje i radni postupci pridonose razvoju ovih simptoma. Postoje mjere koje operater može poduzeti kako bi smanjio moguće učinke vibracije:

- Održavajte svoje tijelo toplim u hladnim vremenskim uvjetima. Kad radite s uređajem nosite rukavice kako biste ruke i zglobove održavali toplima. Prijavljeno je da je hladnoća glavni čimbenik koji doprinosi Raynaud's Syndrome.
- Nakon svakog perioda rada vježbajte kako biste povećali cirkulaciju krvi.
- Uzimajte česte stanke u radu. Ograničite količinu izlaganja po danu.

Ako osjetite neke od simptoma ovog stanja, odmah prekinite korištenje i obratite se svome liječniku vezano uz ove simptome.

⚠ UPOZORENJE

Ozljede mogu biti uzrokovane ili izazvane produljenim vremenskim razdobljem korištenja alata. Kada koristite bilo koji alat dulje vremena, osigurajte da uzimate povremene stanke.

UPOZNAJTE SVOJ PROIZVOD

Pogledajte stranicu 135.

1. Sklopka za pokretanje
2. Blokada otkopca
3. Gornji štitnik
4. Adapter ulaza prašine
5. Ručica donjeg štitnika
6. Vijak lista
7. Donji štitnik
8. Drška, izolirana površina za hvatanje
9. Kutna skala
10. Graničnik kutne skale
11. Graničnik vodilice uzdužnog reza
12. Baza
13. Laserska glava (RCS1600)
14. Oštrica
15. Iščaćenje
16. Letva za uzdužno rezanje

ODRŽAVANJE

⚠ UPOZORENJE

Proizvod nikad ne smije biti priključen na izvor napajanja kada sastavljate dijelove, vršite podešenja, čistite, izvodite održavanje ili kada se proizvod ne koristi. Isključivanjem proizvoda s izvora napajanja sprečavaju se slučajna pokretanja proizvoda koja mogu prouzročiti ozbiljne tjelesne ozljede.

⚠ UPOZORENJE

Prilikom servisiranja, koristite samo originalne zamjenske dijelove, dodatni pribor i priključke od proizvođača. Korištenje nekih drugih dijelova može dovesti do opasnosti ili uzrokovati oštećenje alat.

⚠ UPOZORENJE

Nikada ne dopustite kontakt plastičnih dijelova s tekućinom za kočnice, benzinom, proizvodima na bazi petroleja, sredstvima za odmaščivanje, idr. Kemikalije mogu oštetiti, oslabiti ili uništiti plastiku što može dovesti do ozbiljnih osobnih ozljeda.

- Prilikom čišćenja plastičnih dijelova izbjegavajte koristiti kemijska sredstva. Većina plastika je podložna različitim vrstama komercijalnih kemijskih sredstava za čišćenje i mogu se oštetiti prilikom njihovog korištenja.

Za uklanjanje nečistoća, prašine, ulja masti i drugog upotrebljavajte čistu krpu.

- Prije priključivanja ili uklanjanja lista pile osigurajte da je alat iskopčan iz izvora za napajanje. Čistim krpama očistite proizvod i sustav štitnika.
- Uvijek tijekom rada s električnim alatom ili prilikom ispuhivanja prašine nosite zaštitne naočale i zaštitne naočale s bočnim štitnicima. Ako radite u prašini nosite i masku za zaštitu od prašine.
- Ako je kabel za napajanje oštećen, mora se zamijeniti posebnim kabelom ili sklopom koji je dostupan od proizvođača ili njegovog zastupnika servisa.
- Radi veće sigurnosti i pouzdanosti, sve popravke treba izvoditi ovlaštenu servisni centar.

PODMAZIVANJE

Svi ležajevi u ovom proizvodu podmazani su s dovoljnom količinom visokokvalitetnog sredstva za podmazivanje za životni vijek proizvoda u normalnim radnim uvjetima. Stoga nije potrebno daljnje podmazivanje.

ZAŠTITA OKOLIŠA



Sirovine reciklirajte, umjesto da ih odlažete kao otpad. Kako biste zaštitili okoliš, alat, dodatke i ambalažu treba odvojeno baciti u otpad.

SIMBOLI NA PROIZVODU



Sigurnosno upozorenje

V

Volti

Hz

Herzi

~

Izmjenična struja

W

Wati

n_o

Brzina bez opterećenja

min⁻¹

Broj okreta ili pokreta u minuti



Klasa II, dvostruka izolacija



Drvo



Nemojte rezati metale



Nosite zaštitu za sluh



Nosite zaštitu za vid



Radijacija lasera.
Nemojte gledati u zraku.
Proizvod 2 laserskog razreda
λ: 650nm; P≤1mW
EN 60825-1:2014



Opasnost! Oštra oštrica.



Nemojte izlagati kiši



Širina reza



Zubi pile



CE usklađenost



EurAsian znak konformnosti



Ukrajinska oznaka za sukladnost



Molimo da pažljivo pročitate upute prije pokretanja stroja.



Otpadni električni proizvodi ne treba da se odlažu s otpadom iz domaćinstva. Molimo da reciklirate gdje je to moguće. Potražite savjet od lokalnih vlasti ili prodavca kako reciklirati.

UPOZORENJE

Naznačuje potencijalno opasnu situaciju, koja ako se ne izbjegne dovodi do smrti ili ozbiljnih ozljeda.

OPREZ

Naznačuje potencijalno opasnu situaciju, koja ako se ne izbjegne dovodi do lakših ili srednjih ozljeda.

OPREZ

(Bez simbola upozorenja sigurnosti) Označava situaciju koja može izazvati oštećenje imovine

SIMBOLI U PRIRUČNIKU



Priključite na napajanje.



Odspojite iz napajanja.



Dijelovi ili pribor prodan odvojeno



Brava



Otključavanje



Napomena

Slijedeće riječi upozorenja i značenja imaju namjeru da objasne nivo rizika u vezi s ovim proizvodom.

OPASNOST

Naznačuje prijeteću opasnu situaciju, koja ako se ne izbjegne dovodi do smrti ili ozbiljnih ozljeda.



Pri zasnovi te krožne žage smo se prednostno osredotočili na varnost, učinkovitost in zanesljivost.

NAMEN UPORABE

Krožno žago lahko uporabljajo samo odrasle osebe, ki so prebrale in razumejo navodila ter opozorila in tem priročniku ter so sposobne prevzeti odgovornost za svoja dejanja.

Izdelek je zasnovan za paranje in prečno rezanje lesa ali podobnega materiala do največje globine 54 mm. Izdelek lahko ustvarja ravne ali poševne reze od 0 do 45 stopinj. Žago uporabljajte tako, da je osnova orodja v stiku z obdelovancem. Žago je dovoljeno uporabljati samo na suhem ter dobro osvetljenem in prezračenem mestu.

Izdelek je zasnovan za ročno uporabo. Izdelek ni namenjen za namestitvev na delovni pult, razen če je ta način namestitve naveden v posebnih navodilih proizvajalca žage. Izdelka ne uporabljajte za rezanje kovin ali sten.

Izdelka ne uporabljajte na noben način, ki ni predpisan za to napravo. Uporaba električnega orodja za namene, ki so drugačni od tistih, za katere je bilo orodje zasnovano, lahko povzroči nevarne situacije.

⚠ OPOZORILO

Preberite vsa varnostna opozorila, navodila, ilustracije in specifikacije, ki so priložene temu električnemu orodju. Če ne upoštevate opozoril in navodil, lahko pride do električnega udara, ognja in/ali hudih poškodb.

Vsa opozorila in vsa navodila shranite za bodočo referenco.

VARNOSTNA OPOZORILO ZA KROŽNO ŽAGO

METODE REZANJA

⚠ NEVARNOST

Roke vedno držite proč od območja žaganja in od rezila. Drugo roko držite na pomožnem ročaju ali na ohišju motorja. Če žago držite z obema rokama, ju rezilo ne more porezati.

- **Ne segajte pod obdelovanec.** Pod obdelovancem vas ščitnik ne more zaščititi pred rezilom.
- **Rezalno dolžino prilagodite debelini obdelovanca.** Pod obdelovancem se lahko vidi manj kot en cel zob rezila.
- **Kosa, ki ga režete, nikoli ne držite v rokah ali preko noge.** Obdelovanec pritrdite na stabilno podlago. Pomembno je, da dobro podprete obdelovanec in tako zmanjšate izpostavljenost telesa, zatikanje rezila ali izgubo nadzora.
- **Med izvajanjem del, pri katerih bi rezalni nastavek lahko prišel v stik s skrito električno napeljavo ali lastnim kablom, električno orodje držite izključno za izolirana držala.** Stik orodja z deli, ki so pod napetostjo, lahko povzroči, da so tudi kovinski deli električnega orodja pod napetostjo in izpostavijo

uporabnika električnemu udaru.

- **Pri robnem odrezu vedno uporabljajte vzporedno vodilo ali ravno vodilo.** Na ta način bo rez bolj natančen in zmanjšalo se bo tveganje, da pride do zatikanja rezila.
- **Vedno uporabljajte rezila s pravilno velikostjo in obliko (trikotno ali okroglo) odprtine za vpenjanje.** Če se rezila ne ujemajo z montažnimi elementi žage, je njihovo vrtenje ekscentrično, kar povzroči izgubo nadzora.
- **Nikoli ne uporabljajte poškodovanih ali neustreznih podložk za rezilo ali sornika.** Podložke za rezila in sornik so posebej zasnovani za vašo žago, za njeno optimalno storilnost in varno delovanje.

VZROKI POVRATNIH UDARCEV IN POVEZANA OPOZORILO:

- povratni udarec je nenadna reakcija na priščipnjeno, zataknjeno ali neporavnano rezilo žage, ki povzroči, da žaga nenadzorovano izskoči iz obdelovanca proti operaterju;
- če se rezilo priščipne ali močno zatakne v krajniku med pomikom navzdol, se rezilo ustavi in reakcija motorja enoto zelo hitro potegne nazaj proti operaterju;
- Če se rezilo zvije ali ni poravnano v rezu, lahko zobje zadnjega roba rezila zagrižejo v gornjo površino lesa in povzročijo, da rezilo zleze iz reza in odskoči nazaj proti delavcu.

Odsunek je posledica nepravilne uporabe žage in/ali nepravilnih postopkov ali pogojev delovanja ter ga lahko preprečimo z upoštevanjem ustreznih spodaj navedenih varnostnih predpisov.

- **Žago trdno držite z obema rokama in postavite roke tako, da se upirajo silam odsunka. Postavite se s strani rezila, vendar ne v liniji z rezilom.** Odsunek lahko povzroči, da žaga odskoči nazaj, vendar lahko delavec nadzira sile odsunka, če upošteva ustrezne varnostne ukrepe.
- **Če se rezilo zatika ali če iz nekega razloga prekinete rezanje, sprostite stikalo in držite žago nepremično v obdelovancu, dokler se rezilo popolnoma ne zaustavi. Nikoli ne poskušajte odmakniti žage z obdelovanca ali povleči žago nazaj, ko se žagin list še vrti, saj lahko to privede do nevarnega povratnega udarca.** Preglejte orodje in ustrezno ukrepajte, da odpravite vzrok zatikanja rezila.
- **Pri ponovnem zagonu žage v obdelovancu centrirajte rezilo žage v rezu in preverite, da se zobje žage niso zagozdili v material.** Če se rezilo žage zatakne, lahko ob ponovnem zagonu žage izskoči ali povratno udari iz obdelovanca.
- **Velike plošče podprite, da zmanjšate nevarnost zagozdenja ali odsunka rezila.** Velike plošče se rade upogibajo pod lastno težo. Na obeh straneh plošče postavite opornike, blizu črte reza in blizu roba plošče.
- **Ne uporabljajte topih ali poškodovanih rezil.** Nenabrušena in nepravilno vstavljena rezila delajo ozek rez, ki povzroči preveliko trenje, zatikanje in odsunek rezila.
- **Pred začetkom rezanja morajo biti vzvodi za**





nastavitev globine in nagiba rezila trdno in varno pritrjeni. Če se med rezanjem premakne nastavitev rezila, lahko pride do zatikanja in odsunka.

- **Pri žaganju v obstoječo steno ali druge nepregledne površine bodite posebej pazljivi.** Štrleče rezilo lahko prereže predmete, kar lahko povzroči odsunek.

FUNKCIJA SPODNJEGA VAROVALA

- **Pred vsako uporabo preverite ali se spodnji ščitnik dobro zapira. Ne uporabljajte žage, če se spodnji ščitnik ne premika prosto in se ne zapre takoj. Spodnjega ščitnika nikoli ne spnite ali spojite v odprtem položaju.** Če žaga po nesreči pade, se spodnji ščitnik lahko upogne. Dvignite spodnji ščitnik z izvlečno ročico in preverite, ali se prosto premika in se ne dotika rezila ali nekega drugega dela v vseh kotih in globinah reza.
- **Preverite delovanje vzmeti spodnjega ščitnika. Če ščitnik in vzmet ne delujeta pravilno, ju morate pred uporabo servisirati.** Nihajni ščitnik se lahko zaradi poškodovanih delov, ostankov smole ali žaganja zapira počasi.
- **Nihajni ščitnik lahko odprete z roko le pri posebnih vrstah žaganja, npr. pri »potopnem žaganju« in »sestavljenem žaganju«.** Spodnji ščitnik dvignite z izvlečno ročico. Kakor hitro rezilo vstopi v material, spustite spodnji ščitnik. Pri vsakem drugem žaganju mora spodnji ščitnik delovati samodejno.
- **Preden položite žago na mizo ali na tla, vedno pazite, da spodnji ščitnik pokriva rezilo.** Nezaščiten zaustavljajoče se rezilo lahko povzroči vzvratno hojo žage, ki razreže vse, kar je na njeni poti. Zavedati se morate, da je potreben določen čas, da se rezilo zaustavi po sprostitvi stikala.

VARNOSTNA NAVODILA ZA LIST ZA RAZREZ LESA

- Pred uporabo žaginega lista in električnega orodja natančno preberite priročnik ter navodila.
- Električno orodje mora biti v brezhibnem stanju, vreteno pa ne sme biti deformirano in se ne sme tresti.
- Žage ne uporabljajte brez nameščenih varoval. varovala morajo biti v dobrem delovnem stanju in ustrezno vzdrževana.
- Zagotovite, da je upravljavec ustrezno usposobljen s področja previdnostnih varnostnih ukrepov ter prilagajanja in uporabe električnega orodja.
- Pri uporabi električnega orodja vedno nosite očala in glušnike. Priporočeno je nositi rokavice in robustne čevlje s protizdrsno podplatom.
- Preden uporabite kateri koli dodatek, preverite navodila za uporabo. Nepravilna uporaba dodatka lahko privede do poškodb in povečanega tveganja za telesne poškodbe.
- Uporabljajte le rezila, ki so določena v teh navodilih in so v skladu z EN 847-1.
- Upošteвайте maksimalno hitrost, ki je označena na rezilu. Prepričajte se, da je hitrost, označena na rezilu, vsaj enaka hitrosti, označeni na žagi.
- Vedno uporabljajte rezila s pravilno velikostjo in obliko odprtine za vpenjanje. Če se rezila ne ujemajo

z montažnimi elementi žage, je njihovo vrtenje ekscentrično, kar povzroči izgubo nadzora.

- Ne uporabljajte rezil večjega ali manjšega premera, kot je priporočeno. Ne uporabljajte distančnikov, da bi namestili rezilo na vreteno.
- Konice žaginega lista pred vsako uporabo pregledjte zaradi poškodb ali nepravilnega videza. Poškodovane ali zrahljane konice se lahko med uporabo snamejo in odletijo, s čimer povečajo možnost telesnih poškodb.
- Ne uporabljajte zviti ali počeni rezil. Nikoli ne uporabljajte poškodovanih ali deformiranih rezil.
- Poškodovane, deformirane, izkrivljene ali počene žagine liste zavrzite. Takšnih listov ne popravljajte.
- Ne uporabljajte rezil HSS.
- Pred uporabo zagotovite, da je rezilo pravilno nameščeno. Pred uporabo varno pritrдите vijak lista (s privijalnim navorom približno 10–15 Nm).
- Pritrdilne vijake in matice privijte z ustreznim izvijačem.
- Podaljševanje izvijača ali privijanje s pomočjo udarcev kladiva ni dovoljeno.
- Prepričajte se, da so vsa rezila in prirobnice čisti ter da so utori prirobnice usmerjeni proti rezilu.
- Prepričajte se, da se rezilo vrti v pravo smer.
- Pred začetkom dela najprej naredite »slepi« rez brez vključenega motorja, da preverite položaj rezila in delovanje zaščit glede na druge dele stroja ter glede na obdelovanec.
- Orodje nikoli ne pustite teči brez nadzora.
- Ne mažite rezila, ko se rezilo vrti.
- Stroja nikoli ne čistite ali vzdržujte, ko stroj teče in glava ni v položaju mirovanja.
- Delujočega električnega orodja nikoli ne zaustavite na hitro, tako da list zagostite z orodjem ali drugim predmetom. S tem lahko nenamerno povzročite hude nesreče.
- Pred menjavanjem listov ali vzdrževanjem žago izključite iz omrežnega ali baterijskega napajanja.
- Pri vlaganju v embalažo in pri odstranjevanju embalaže bodite pozorni na list, saj se lahko hitro poškodujete na njegovih ostrih konicah.
- Ko rokujete z rezilom uporabite držalo ali nosite rokavice.
- List shranjujte in skladiščite v prvotni ali drugi primerni embalaži. Shranjujte na suhem mestu in stran od kemičnih sredstev, ki lahko poškodujejo rezilo.

⚠ OPOZORILO

- Nosite zaščito za oči in ušesa.
- Pazite, da se konice rezil ne pregrejejo. Ne uporabljajte topih ali poškodovanih rezil. Orodja ne preobremenjujte.
- Uporabljajte le priporočena rezila.

DODATNA VARNOSTNA OPOZORILA

- Ne uporabljajte brusnih koles.
- Uporabljajte samo rezila premerov, ki so v skladu z



oznakami.

- Ugotovite ustrezno rezilo žage, ki ga je treba uporabiti za material, ki ga boste žagali.
- Uporabljajte samo rezila žag, na katerih je navedena hitrost, ki je enaka ali višja od hitrosti, navedeni na orodju.
- Za žaganje lesa in enakovrednih materialov uporabljajte izključno rezila žage, ki jih priporoča proizvajalec in so v skladu s standardom EN 847-1.
- Nosite protiprašno masko.
- Samo za RCS1400: Tokovna konica povzroči fluktuacije napetosti in lahko vpliva na druge električne izdelke na istem električnem vodju. Izdelek priključite na napajanje z impedanco $Z_{max}=0.459 \Omega$, da čim bolj zmanjšate napetostna nihanja.

LASERSKA VARNOST (RCS1600)



- Sevanje laserskega vodila, uporabljenega v žagi, je razreda 2, in sicer z močjo $\leq 1mW$ in valovno dolžino 650 nm. Ne glejte neposredno v laserski žarek. Neupoštevanje pravil lahko povzroči resne telesne poškodbe.



Prejeli ste nalepko v svojem jeziku, zato vas prosimo, da jo pritrpite na mesto angleškega besedila na opozorilni oznaki, preden stroj prvič uporabite.

- Med delovanjem ne glejte v laserski žarek.
- Laserskega žarka ne usmerjajte neposredno v oči drugih oseb. To lahko povzroči resno poškodbo oči.
- Laserja ne postavljajte tako, da bi lahko kdor koli namerno ali nenamerno pogledal neposredno v laserski žarek.
- Ne glejte laserskega žarka z optičnimi pripomočki.
- Laserja ne uporabljajte v bližini otrok in ne dovolite otrokom, da bi ga uporabljali.
- Laserske naprave nikoli ne poskušajte popravljati sami.
- Ne poskušajte spreminjati delov laserske naprave sami.
- Popravila lahko izvaja le proizvajalec laserja ali pooblaščen servisier.
- Laserja ne menjajte z laserjem druge vrste.

PREOSTALA TVEGANJA

Nekateri preostalih dejavnikov tveganja ni mogoče povsem odpraviti, tudi če ta izdelek uporabljate v skladu z navodili. Med uporabo se lahko pojavijo nekatere nevarnosti, upravljavec pa naj bo pozoren na naslednje:

- Poškodbe zaradi povratnega sunka
 - Preberite informacije v tem priročniku in se

prepričajte, da jih razumete.

- Poškodbe zaradi prahu
 - Prah lahko pride v stik z očmi ali v dihalni sistem. Vedno nosite zaščito za oči. Nosite ustrezno zaščitno masko s filtri, ki so primerni za zaščito pred delci materiala, ki ga režete. V delovnem območju je prepovedano jesti, piti in kaditi. Zagotovite ustrezno prezračevanje.
 - Poškodbe zaradi električnega udara
 - Rezilo lahko pride v stik s skrito napeljavo, zaradi česar lahko določeni deli izdelka podivjajo. Izdelek vedno držite za označene ročaje in bodite previdni pri rezanju v stene in tla, kjer se lahko nahajajo kabli.
- OPOMBA:** Pri delu v stenah, stropih ali tleh pazite, da se izognite električnim kablom ali plinskimi ali vodovodnim napeljavam.
- Poškodba zaradi stika z rezilom
 - Rezila so zelo ostra in med uporabo postanejo vroča. Ko zamenjujete rezila, nosite rokavice. Z rokami nikoli ne posegajte v območje rezanja. Kosa, ki ga režete, nikoli ne držite v rokah ali preko noge. Obdelovanec vedno, kadar je mogoče, fiksirajte.
 - Poškodbe zaradi vibracij
 - Omejite izpostavljenost. Glejte »Zmanjševanje Tveganj«.

ZMANJŠANJE TVEGANJA

Poročali so že, da lahko vibracije ročnih orodij pri nekaterih posameznikih pripomorejo k razvoju Raynaudovega sindroma. Simptomi so lahko mravljinca, otrplost in pobeljeni prsti, kar je običajno vidno, kadar je oseba izpostavljena mrazu. Dedni dejavniki, izpostavljenost mrazu in vlagi, dieta, kajenje in delovne navade naj bi pripomogle k razvoju teh simptomov. Za zmanjšanje učinkov vibracij lahko upravljavec upošteva naslednja navodila:

- Poskrbite, da bo vaše telo na mrazu toplo. Med upravljanjem nosite rokavice in tako ohranjajte toploto vaših dlani in zapestij. Kot poročajo, je mraz glavni dejavnik, ki prispeva k Raynaudovemu sindromu.
- Po vsakem obdobju upravljanja naprave telovadite in tako pospešite krvni obtok.
- Pogosto si vzemite odmor. Omejite dnevno količino izpostavljenosti.

Če zaznavate kakršnekoli simptome takšnega stanja, takoj prenehajte z uporabo naprave in se posvetujte z zdravnikom.

⚠ OPOZORILO

Zaradi daljše uporabe orodja lahko pride do poškodb oz. se morebitne poškodbe poslabšajo. Kadar orodje uporabljate dalj časa, si večkrat vzemite odmor.

SPOZNAJTE SVOJ IZDELEK

Glej stran 135.

1. Sprožilo
2. Gumb za zaklep delovanja

3. Gornji ščitnik
4. Adapter za vsesavanje prahu
5. Vzvod spodnjega ščitnika
6. Vijak lista
7. Spodnji ščitnik
8. Ročaj, izolirano držalo
9. Kotna skala
10. Zaklep kotne skale
11. Zaklep vzdolžnega prislona
12. Podstavek
13. Laserska glava (RCS1600)
14. Rezilo
15. Ključ
16. Vzdolžno vodilo

VZDRŽEVANJE

⚠ OPOZORILO

Ko sestavljate dele, prilagajate, čistite ali vzdržujete orodje, ali ko izdelka ne uporabljate, ga nikoli ne imejte priključenega na vir napajanja. Če izdelek izklopite iz napajanja, preprečite nenameren zagon, ki bi lahko povzročil resne telesne poškodbe.

⚠ OPOZORILO

Za servisiranje uporabljajte le proizvajalčeve originalne nadomestne dele, dodatke in nastavke. Uporaba drugih delov lahko pomeni tveganje ali povzroči škodo na izdelku.

⚠ OPOZORILO

Zavorna tekočina, gorivo, izdelki na osnovi nafte, prodirajoče olje ipd. nikoli ne smejo priti v stik s plastičnimi deli. Kemikalije lahko poškodujejo, oslabijo ali uničijo plastiko, kar lahko ima za posledico tudi resne telesne poškodbe.

- Pri čiščenju plastičnih delov se izogibajte topilom. Večina vrst plastik se lahko pri uporabi različnih komercialnih topil poškoduje. Za odstranjevanje umazanije, saj in podobnega uporabljajte čisto krpo.
- Pred nameščanjem ali odstranjevanjem rezila žage se prepričajte, da ste orodje odklopili z napajanja. Pripomoček in sistem varoval očistite z čistimi krpami.
- Vedno nosite zaščitna očala s stranskimi ščitniki, ko uporabljate električna orodja ali ko spihujete prah. Če pri delu nastaja prah, nosite tudi zaščitno masko proti prahu.
- Če je napajalni kabel poškodovan, ga mora zaradi izogibanja tveganja zamenjati proizvajalec ali pooblaščen servis. Kontaktirajte pooblaščen servisni center.
- Za večjo varnost in zanesljivost mora vsa popravila izvesti pooblaščen servisni center RYOBI.

MAZANJE

Vsi ležaji na napravi so namazani z dovolj kakovostnega maziva, tako da mazanje naprave ob normalni uporabi

do konca življenjske dobe naprave ni več potrebno. Zato dodatno mazanje ni potrebno.

ZAŠČITA OKOLJA



Namesto, da napravo zavržete, reciklirajte surovine. Napravo, pribor in embalažo je treba sortirati za okolju prijazno recikliranje.

SIMBOLI NA IZDELKU



Varnostno opozorilo

V

Volti

Hz

Hertz

~

Izmenični tok

W

Watt

n₀

Hitrost brez obremenitve

min⁻¹

Vrtljavej ali nihavej na minuto



Razred II, dvojno izolirano



Les



Ne žaganje kovin



Nosite zaščito za ušesa



Nosite zaščito za oči



Lasersko sevanje.
Ne glejte v žarek.
Laserski izdelek 2. razreda
λ: 650nm; P≤1mW
EN 60825-1:2014



Nevarnost! Ostro rezilo.



Ne izpostavljajte dežju



Širina rezanja



Zobje rezila



Skladnost CE



EurAsian oznaka o skladnosti



Ukrajinska oznaka za skladnost



Prosimo, da si pred zagonom naprave pozorno preberete navodila



Odpadne električne izdelke ne odlagajte skupaj z ostalimi gospodinjstvi odpadki. Reciklažo opravljajte na predpisanih mestih. Za nasvet se obrnite na lokalne oblasti.

SIMBOLI V PRIROČNIKU



Priključite na električno napajanje.



Odklopite z električnega napajanja.



Deli ali dodatki so na prodaj ločeno



Zaklenjeno



Odklenjeno



Opomba

Sledeče signalne besede in pomeni naj bi pojasnili ravni tveganja, ki so povezane s tem izdelkom.

NEVARNOST

Označuje neizogibno nevarno stanje, ki lahko povzroči smrt ali hude poškodbe, če ga ne preprečite.

OPOZORILO

Označuje morebitno nevarno stanje, ki bi lahko povzročilo smrt ali hude poškodbe, če ga ne preprečite.

POZOR

Označuje morebitno nevarno stanje, ki lahko povzroči manjše ali zmerne poškodbe, če se ga ne preprečite.

POZOR

(Brez simbola Varnostni alarm) Označuje stanje, ki lahko privede do poškodovanja lastnine.



Bezpečnosť, efektívnosť a spoľahlivosť boli prvoradá pri navrhovaní vašej kotúčovej píly.

ÚČEL POUŽITIA

Kotúčovú pílu môžu používať len svojprávné dospelé osoby, ktoré si prečítali a porozumeli pokynom a varovaniam v tejto príručke.

Tento výrobok je určený na pozdĺžne aj priečne rezanie dreva a podobných materiálov do maximálnej hĺbky 54 mm. Týmto výrobkom možno vykonávať rovné a šikmé rezy v rozsahu 0 až 45 stupňov. Pri kontakte s obrobkom sa používa základová doska nástroja. Je určená na použitie iba v suchom, dobre osvetlenom a dobre vetranom mieste.

Tento produkt bol navrhnutý na ručné používanie. Tento výrobok nie je určený na namontovanie na pracovný stôl, ak výrobca píly neuvádza špecifické pokyny, ako to urobiť. Nepoužívajte na rezanie kovu alebo muriva.

Tento produkt nepoužívajte žiadnym iným spôsobom, ako je uvedené v účele použitia. Pri používaní mechanického nástroja na iné ako určené činnosti môže dôjsť k nebezpečným situáciám.

⚠ VAROVANIE

Prečítajte si všetky výstrahy, pokyny, vyobrazenia a špecifikácie dodané k tomuto elektrickému nástroju. Pri nedodržaní týchto výstrah a pokynov môže dôjsť k úrazu elektrickým prúdom, požiaru a/alebo závažnému poraneniu

Odložte všetky výstrahy a pokyny pre budúce použitie.

BEZPEČNOSTNÉ VÝSTRAHY PRE KOTÚČOVÚ PÍLU

POSTUPY REZANIA

⚠ NEBEZPEČENSTVO

Ruky nedávajte do blízkosti oblasti rezania a ostria. Druhú ruku nechajte na pomocnej rukoväti alebo kryte motora. Ak držíte rukoväť s obidvomi rukami, kotúč ich neporeže.

- **Nesiahajte pod obrobok.** Kryt vás neochráni pred kotúčom.
- **Hĺbku rezania nastavte podľa hrúbky obrobku.** Pod obrobkom by mal byť viditeľný menej ako jeden zub zo zubov ostria.
- **Nikdy nedržte rezaný kus materiálu rukami alebo križom na nohách.** Zaisťte obrobok k stabilnej podložke. Je dôležité obrobok správne podprieť, aby sa čo najviac minimalizovalo vystavenie tela, zovieranie ostria alebo strata kontroly.
- **Pri vykonávaní činnosti, kedy môže rezný nástroj prísť do kontaktu so skrytou kabelážou alebo vlastným káblom, držte elektrické náradie len za izolované povrchy na uchopenie.** Styk so „živým“ vodičom tiež spôsobí, že kovové časti elektrického nástroja sa tiež stanú „živými“ a môžu obsluhujúcej

osobe spôsobiť zásah elektrickým prúdom.

- **Pri pozdĺžnom rezaní vždy použite paralelné vodidlo alebo rovné vodítko.** Zlepší sa tak kvalita rezu a zníži sa pravdepodobnosť zovretia ostria.
- **Vždy používajte ostria s otvormi na hriadeľ správnej veľkosti a tvaru (kosoštvorcové alebo okrúhle).** Ostria, ktoré nie sú kompatibilné s montážnym technickým vybavením píly, budú bežať excentricky a spôsobia stratu kontroly.
- **Nikdy nepoužívajte poškodené alebo nevhodné podložky alebo maticu.** Podložky ostria boli špeciálne navrhnuté pre túto pílu na dosiahnutie optimálnej výkonnosti a bezpečnej prevádzky.

SPÁTNÝ NÁRAZ A SÚVISIACE VÝSTRAHY:

- spätný náraz je náhla reakcia zovretej, uviaznutej alebo nesprávne zarovnanej pílovej čepele, ktorá spôsobí nekontrolované zdvihnutie píly z obrobku smerom k obsluhu;
- keď sa čepeľ zasekne alebo pevne uviazne v uzatvorenom reze, zastaví sa a reakcia motora bude hnať jednotku rýchlo dozadu, smerom k obsluhu;
- Ak sa ostrie v reze skrúti alebo vyosí, zuby na zadnom okraji ostria sa môžu zaryť do horného povrchu dreva, čo spôsobí, že ostrie sa vyšplhá zo zárezu a odskočí smerom k obsluhujúcej osobe.

Spätný náraz je výsledok nesprávneho používania píly a/alebo nesprávnych prevádzkových postupov a možno mu predchádzať vykonávaním príslušných predbežných opatrení uvedených nižšie.

- **Udržiavajte pevný úchop na pile a držte telo a rameno v polohe, ktorá vám umožní odolávať sile spätného nárazu.** Telo umiestnite na jednu stranu ostria, nie do jeho línie. Spätý náraz by mohol spôsobiť odskočenie píly dozadu, ale sily spätného nárazu môže obsluhujúca osoba ovládať, ak vykoná príslušné opatrenia.
- **Keď sa kotúč zoviera alebo z akejkolvek príčiny prerušíte rez, uvoľnite spínač a držte pílu nehybne v materiáli, kým sa ostrie úplne nezastaví. Nikdy sa nepokúšajte vybrať pílu z obrobku alebo ťahať ju dozadu, kým sa ostrie pohybuje, inak môže dôjsť k spätnému nárazu.** Zistite a vykonajte nápravné kroky a eliminujte príčinu zovierania ostria.
- **Pri opätovnom spustení píly v obrobku vycentrujte ostrie píly v záreze a dbajte na to, aby zuby píly nezapadali do materiálu.** Ak píla uviazne, po opätovnom spustení sa môže posunúť smerom nahor alebo dojde k spätnému nárazu smerom od obrobku.
- **Veľké panely podprite, aby sa minimalizovalo riziko zovretia kotúča a spätného nárazu.** Veľké panely sa zvyknú prehýbať pod vlastnou váhou. Podpery sa musia umiestniť pod panel na oboch stranách, v blízkosti línie rezania a v blízkosti okraja panela.
- **Nepoužívajte otupené alebo poškodené príslušenstvo.** Nezaostrené alebo nesprávne nasadené kotúče vytvárajú úzky zárez a dochádza k nadmernému treniu, zovieraniu ostria a spätnému nárazu.





- **Páčky nastavenia hĺbky a úkosu ostria musia byť pred rezaním utiahnuté a zaistené.** Ak sa nastavenie kotúča počas rezania posunie, môže spôsobiť zovretie a spätný náraz.
- **Pri pílení do existujúcich stien alebo iných neznámych priestorov dbajte na opatrnosť.** Vychýňajúce ostrie môže porezať objekty a následne spôsobiť spätný náraz.

FUNKCIA SPODNÉHO KRYTU

- **Pred každým použitím skontrolujte, spodný kryt, či je správne uzavretý. Nepracujte s pilou, ak sa spodný kryt voľne nepohybuje a ihneď sa neuzavrie. Nikdy neupínajte ani neuväzujte spodný kryt do otvorenej polohy.** Ak píla náhodne spadne, spodný kryt sa môže ohnúť. Nadvihnite spodný kryt pomocou zaťahovacej páčky a skontrolujte, či sa voľne pohybuje a nedotýka sa ostria ani žiadnej inej časti, a to pri všetkých uhloch a hĺbkach rezu.
- **Skontrolujte funkčnosť pružiny spodného krytu. Ak kryt a pružina nefungujú správne, pred použitím sa na nich musí vykonať servis.** Spodný kryt môže fungovať lenivo, keď sú niektoré časti poškodené, sú na ňom lepkavé usadeniny alebo nahromadené nečistoty.
- **Spodný kryt možno zatiahnuť manuálne len pri špeciálnych rezoch, ako sú „zapichovacie rezy“ a „zložené rezy“.** Nadvihnite spodný kryt pomocou zaťahovacej páčky a hneď, ako ostrie prenikne do materiálu, musíte spodný kryt uvoľniť. Pri všetkých iných rezoch by mal spodný kryt pracovať automaticky.
- **Predtým, ako položíte pílu na pracovný stól alebo dlážku, vždy skontrolujte, či spodný kryt zakrýva ostrie.** Nechránené ostrie bežiacie na voľnobeh spôsobí spätný pohyb píly, pričom poreže všetko v ceste. Dávajte pozor na čas, ktorý potrvá, kým sa ostrie zastaví po uvoľnení spínača.

BEZPEČNOSTNÉ POKYNY PRE WOOD CUTTING BLADE

- Pred použitím pilového kotúča a elektrického náradia si starostlivo prečítajte túto príručku a pokyny.
- Elektrické náradie musí byť v dobrom stave, vreteno musí byť bez deformácií a vibrácií.
- Nepoužívajte pílu bez nasadených ochranných krytov. Ochranné kryty udržiavajte v dobrom prevádzkovom stave a správne udržiavané.
- Ubezpečte sa, že operátor je dostatočne vyškolený z hľadiska bezpečnostných opatrení, nastavenia a prevádzky elektrického náradia.
- Pri používaní tohto elektrického náradia vždy používajte ochranné okuliare a ochranu sluchu. Odporúča sa používať rukavice a pevnú, protišmykovú obuv.
- Pred použitím akéhokoľvek príslušenstva si pozrite návod na použitie. Nesprávne používanie príslušenstva môže spôsobiť poškodenie a zvýšiť možnosť poranenia.
- Používajte len ostria špecifikované v tomto návode, ktoré spĺňajú normu EN 847-1.
- Dodržiavajte označenie maximálnej rýchlosti na pilovom ostrí. Skontrolujte, či rýchlosť vyznačená na pilovom ostrí je minimálne rovná rýchlosti vyznačenej

na píle.

- Vždy používajte ostria s otvormi na hriadeľ správnej veľkosti a tvaru. Ostria, ktoré nie sú kompatibilné s montážnym technickým vybavením píly, budú bežať excentricky a spôsobia stratu kontroly.
- Nepoužívajte ostria väčšieho alebo menšieho priemeru ako odporúčané. Nepoužívajte žiadne rozpieryky umožňujúce prispôsobenie ostria do vretena.
- Pred každým použitím skontrolujte, či nie sú hroty zubov pilového kotúča poškodené alebo príliš nevystupujú. Hroty, ktoré sú poškodené alebo uvoľnené, môžu pri použití odletieť a zvýšiť riziko zranenia osôb.
- Nepoužívajte prasknuté alebo porušené pilové kotúče. Nepoužívajte poškodené alebo deformované pilové kotúče.
- Ak je pilový kotúč poškodený, deformovaný, pokrivený alebo prasknutý, vyhodte ho do šrotu; oprava ja zakázaná.
- Nepoužívajte ostria HSS.
- Pred použitím skontrolujte, či je pilové ostrie namontované správne. Pred použitím zaistíte skrutku pilového kotúča dotiahnutím (uťahovací moment približne 10 - 15 Nm).
- Upevňovacia skrutka a matice musia byť dotiahnuté pomocou príslušného skrutkovača.
- Uvoľnenie alebo dotiahnutie skrutky údermi kladiva na skrutkovač je zakázané.
- Dbajte na to, aby všetky ostria a príruby boli čisté a zapustené strany objímky boli oproti ostriu.
- Skontrolujte, či sa ostrie otáča v správnom smere.
- Pred započatím práce vykonajte skúšobný rez so zapnutým motorom, na kontrolu polohy ostria, funkčnosti ochranných krytov vzhľadom na ostatné súčasti stroja a obrobku.
- Stroj nikdy nenechajte spustený bez dozoru.
- Na ostrie nenanášajte mazivá počas behu.
- Nikdy nevykonávajte čistenie alebo údržbu, keď je stroj ešte spustený a hlava nie je v pokojovej polohe.
- Nikdy sa nepokúšajte elektrické náradie rýchlo zastaviť zablokovaním pilového kotúča pomocou náradia alebo iných prostriedkov zasunutím oproti kotúču. Týmto spôsobom by mohli byť neúmyselne spôsobené vážne zranenia.
- Pred výmenou pilového kotúča alebo vykonávaním údržby odpojte pílu od elektrickej siete alebo od batérie.
- Dávajte pozor na pilový kotúč pri balení a rozbalovaní. Na ostrí čepele kotúča sa dá ľahko poraniť.
- Pri manipulácii s pilovým ostrím používajte držiak alebo noste rukavice.
- Uschovávajte a uskladňujte pilový kotúč v originálnom obale alebo inom vhodnom obale. Uchovávajte v suchom prostredí mimo chemikálií, ktoré môžu poškodiť čepeľ.

EN
FR
DE
ES
NL
PT
DA
SV
FI
NO
RU
PL
CS
HU
RO
LV
LT
ET
HR
SL
SK
BG
UK
TR
EL



VAROVANIE

- Používajte chrániče zraku a sluchu.
- Dbajte na to, aby nedošlo k prehriatiu hrotov ostria. Nepoužívajte otupené alebo poškodené príslušenstvo. Na nástroj nevyvíjajte silu.
- Používajte len odporúčané ostria.

AKUMULÁTOR – BEZPEČNOSTNÉ VÝSTRAHY

- Nepoužívajte žiadne abrazívne kotúče.
- Požívajte len čepele s priemerom podľa označenia.
- Nájdite správnu čepeľ na použitie na rezaný materiál.
- Používajte len také pílové čepele, ktoré sú označené rýchlosťou, ktorá sa rovná alebo je vyššia než rýchlosť vyznačená na náradí.
- Používajte pílové čepele odporúčané výrobcom, ktoré vyhovujú požiadavkám normy EN 847-1, ak sú určené pre drevo a obdobné materiály.
- Používajte protiprachovú masku.
- Len pre RCS1400: Napájacia špička spôsobí fluktuácie napätia a môže mať vplyv na ostatné elektrické zariadenia na rovnakom elektrickom vedení. Produkt pripojte do elektrickej siete s impedanciou $Z_{max}=0.459 \Omega$, minimalizujete tak fluktuácie napätia.

BEZPEČNOSŤ PRI PRÁCI S LASEROM (RCS1600)



- Vyžarovanie laserového navádzania použitého v pile je Trieda 2 s maximálnym výkonom $\leq 1\text{mW}$ a vlnovou dĺžkou 650 nm. Nepozerať priamo do laserového lúča. Pri nedodržiavaní týchto pravidiel by mohlo dôjsť k vážnemu poraneniu osôb.



Dodali sme vám lepiaci štítok vo vašom jazyku a teraz odporúčame, aby ste ho pred prvým uvedením zariadenia do prevádzky nalepili namiesto anglického textu na výstražný štítok.

- Počas činnosti nepozerajte do lúča.
- Nesviette laserovým lúčom priamo do očí iných osôb. Mohlo by dôjsť k vážnemu poraneniu očí.
- Nepracujte s laserom v polohe, pri ktorej by sa mohol niekto, či už úmyselne alebo neúmyselne, pozrieť do laserového lúča.
- Nepoužívajte optické nástroje na zobrazenie laserového lúča.
- Nepoužívajte laser v blízkosti detí ani nedovoľte deťom pracovať s laserom.
- Nepokúšajte sa opravovať laserové zariadenie sami.
- Nepokúšajte sa sami vymieňať žiadne diely laserového

zariadenia.

- Akékoľvek opravy môže vykonávať len výrobca lasera alebo autorizovaný servisný pracovník.
- Nevymieňajte laser za iný typ.

ZVYŠKOVÁ RIZIKOVOSŤ

Aj keď sa nástroj používa podľa predpisu, nie je možné eliminovať určité zvyškové rizikové faktory. Pri použití vznikajú nasledujúce riziká a obsluhujúca osoba musí venovať zvláštnu pozornosť, aby nedošlo k nasledovnému:

- Zranenie spôsobené spätným nárazom
 - Prečítajte si a oboznámte sa s informáciami v tejto príručke.
- Zranenie spôsobené prachom
 - Prach vám môže vniknúť do očí alebo respiračného systému. Neustále používajte ochranu zraku. Používajte vhodnú masku na ochranu pred prachom vybavenú filtrami, ktoré chránia pred časticami z rezaného materiálu. Na pracovisku nejedzte, nepite ani nefajčite. Zaisťte správne vetranie.
- Zranenie spôsobené zásahom elektrickým prúdom
 - Ostrie sa môže dostať do kontaktu so skrytým vedením, následkom čoho môžu byť diely produktu pod prúdom. Produkt vždy držte za určené rukoväte a dávajte pozor pri rezaní naslepo do stien a podláh, kde sa môžu nachádzať skryté káble.

POZNÁMKA: Pri práci na stenách, stropoch alebo dlážkach dávajte pozor, aby ste nezasiahli elektrické káble a plynové či vodovodné potrubie.

- Zranenie spôsobené kontaktom s ostrím
 - Čepele sú veľmi ostré a pri práci budú veľmi horúce. Pri výmene čepeľí používajte rukavice. Držte ruky neustále mimo dosahu priestoru rezania. Nikdy nedržte rezaný kus materiálu rukami alebo križom na nohách. Upnite obrobok vždy, keď je to možné.
- Zranenie spôsobené vibráciami
 - Obmedzte expozíciu. Pozrite časť „Znižovanie Rizika“.

OBMEDZENIE RIZIKA

Boli hlásené prípady, kedy vibrácie z ručných nástrojov u niektorých osôb prispeli k stavu nazývanému Raynaudov syndróm. K symptómom patria: trpnutie, znecitlivenie a blednutie prstov, zvyčajne zjavné po vystavení zime. Je známe, že k vývoju týchto symptómov prispievajú: dedičné faktory, vystavovanie zime a vlhkosti, diéta, fajčenie a pracovné návyky. Opatrenia, ktoré môže vykonať obsluhujúca osoba na možné zníženie účinkov vibrácií:

- V studenom počasí udržiavajte svoje telo v teple. Pri práci so zariadením noste rukavice, aby ste mali ruky a zápästia v teple. Boli hlásené prípady, kedy hlavným faktorom prispievajúcim k Raynaudovmu syndrómu bolo studené počasie.
- Po každom určitom časovom úseku prevádzky cvičte, aby ste zlepšili krvný obeh.
- Počas práce si doprajte časté prestávky. Obmedzte počet vystavení za deň.

Ak zistíte ktorýkoľvek zo symptómov tohto stavu, okamžite

prerušte používanie zariadenia, navštívte svojho lekára a povedzte mu o symptómoch.

VAROVANIE

Dlhodobé používanie nástroja môže spôsobiť alebo zhoršiť poranenia. Pri používaní nástroja príliš dlhé obdobia si vždy doprajte pravidelné prestávky.

OBOZNÁMTE SA S VAŠIM PRODUKTOM

Vid' strana 135.

1. Spínač
2. Poistné tlačidlo
3. Horný kryt
4. Adaptér prachového otvoru
5. Páčka spodného krytu
6. Skrutka pilového kotúča
7. Spodný kryt
8. Rúčka, izolovaný povrch na držanie
9. Uholová stupnica
10. Zarážka uhlovej stupnice
11. Zarážka pozdĺžneho vodidla
12. Základňa
13. Laserová hlavica (RCS1600)
14. Ostrie
15. Kľúč
16. Vodidlo zlomu

ÚDRŽBA

VAROVANIE

Tento produkt sa nikdy nesmie pripájať do elektrickej siete, keď montujete diely, vykonávate úpravy, čistíte alebo vykonávate údržbu, alebo keď produkt nepoužívate. Odpojenie výrobku od zdroja napájania zabráni náhodnému spusteniu, ktoré by mohlo spôsobiť vážne poranenie.

VAROVANIE

Pri servise používajte len originálne náhradné diely, príslušenstvo a nástavce výrobcu. Použitie iných dielov môže predstavovať riziko alebo spôsobiť poškodenie produktu.

VAROVANIE

Dbajte na to, aby do kontaktu s plastovými dielmi nikdy neprišli do kontaktu brzdové kvapaliny, benzín, ropné produkty, prenikavé oleje a pod. Chemikálie môžu poškodiť, oslabiť, alebo zničiť plastové časti a tak spôsobiť vážne zranenie.

- Vyhybajte sa použitiu rozpúšťadiel pri čistení plastových častí. Veľšina plastických materiálov je občutlivo na rôzne vrstvy komerčially dostupných topil v nich z njihovo uporabo lahko poškodujemo. Na odstránenie špiny, uhlíkového prachu a pod. použite čisté tkaniny. Vždy odpojte nástroj od elektrickej siete

pred montážou alebo demontážou ostria píly. Čistite výrobok a ochranný systém s čistou tkaninou.

- Pri práci s mechanickým nástrojom alebo ofukovaní prachu vždy používajte ochranné okuliare alebo ochranné okuliare s bočnými chráničmi. Ak pri práci vzniká prach, používajte aj protiprachovú masku.
- Ak sa kábel poškodí, je potrebné ho vymeniť za špeciálny kábel alebo súpravu dostupnú od výrobcu alebo jeho servisného zástupcu.
- Pre vyššiu bezpečnosť a spoľahlivosť sa musia všetky opravy vykonávať v autorizovanom servisnom centre.

MAZANIE

Všetky ložiská v produkte sú namazané dostatočným množstvom mazivom vysokej akosti na celú životnosť produktu pri bežných prevádzkových podmienkach. Preto nie je potrebné žiadne ďalšie mazanie.

OCHRANA ŽIVOTNÉHO PROSTREDIA



Surové materiály recyklujte, nelikvidujte ich ako odpad. Stroj, príslušenstvo a obaly by sa mali triedene recyklovať spôsobom šetrným k životnému prostrediu.

SYMBOLY NA PRODUKTE



Buďte ostražití

V

Napätie

Hz

Hertz

~

Striedavý prúd

W

Watty

n_o

Otáčky bez zataženia

min⁻¹

Počet otáčok za minútu



Trieda II, dvojité izolácia



Drevo



Nerežte kovové



Noste ochranu sluchu



Noste ochranu zraku



Laserové vyžarovanie.
Nepozerajte priamo do lúča.
Laserový produkt Triedy 2
λ: 650nm; P≤1mW
EN 60825-1:2014



Nebezpečnosť! Ostré čepele.



Nevystavujte dažďu



Šírka rezu



Zúbky čepele



Zhoda CE



Euroázijská značka zhody



Ukrajinské označenie zhody



Pred zapnutím zariadenia si prosím prečítajte inštrukcie



Opotrebované elektrické zariadenia by ste nemali odhadzovať do domového odpadu. Prosíme o recykláciu ak je možné. Kontaktujte miestne úrady, alebo predajcu pre viac informácií ohľadom ekologického spracovania.

poranenie.

UPOZORNENIE

Označuje potenciálne nebezpečnú situáciu, ktorá, ak jej nepredídete, môže spôsobiť menšie alebo stredne závažné poranenie.

UPOZORNENIE

(Bez výstražnej značky s výkričníkom) Označuje situáciu, ktorá môže zapríčiniť škody na majetku.

SYMBOLY V NÁVODE



Pripojte do elektrickej siete.



Odpojte z elektrickej siete.



Diely alebo príslušenstvo predávané samostatne



Zamknuté



Odomknuté



Poznámka

Nasledujúce značky a významy vysvetľujú úroveň rizika spojeným s výrobkom.

NEBEZPEČENSTVO

Označuje bezprostredne nebezpečnú situáciu, ktorá, ak jej nepredídete, spôsobí usmrtenie alebo vážne poranenie.

VAROVANIE

Označuje potenciálne nebezpečnú situáciu, ktorá, ak jej nepredídete, môže spôsobiť usmrtenie alebo vážne



EN
FR
DE
ES
IT
NL
PT
DA
SV
FI
NO
RU
PL
CS
HU
RO
LV
LT
ET
HR
SL
SK
BG
UK
TR
EL

Безопасността, производителността и надеждността са аспектите, на които е отделен най-голям приоритет при проектирането на вашия циркулярен трион.

ПРЕДНАЗНАЧЕНИЕ

Циркулярният трион е предназначен за използване само от възрастни, които са прочели и разбрали инструкциите и предупрежденията в настоящото ръководство и могат да бъдат считани като отговорни за своите действия.

Инструментът е проектиран за надлъжно и напречно рязане на дърво и подобни материали до максимална дълбочина от 54 mm. Той може да прави или скосени разрези между 0 и 45 градуса. Инструментът трябва да се използва, когато основата му е в контакт с работния детайл. Трябва да се използва на сухи, добре осветени и вентилирани места.

Проектиран е за ръчна употреба. Инструментът не трябва да се монтира върху работен плот, освен ако производителят на продукта не е дал конкретни инструкции как да се направи това. Не използвайте инструмента за рязане на метал или зидария.

Не го използвайте за никакви други цели. Използването на електрически инструменти за различни от предвидените от производителя приложения повишава опасността от възникване на трудови злополуки.

⚠ ПРЕДУПРЕЖДЕНИЕ

Прочетете всички предупреждения за безопасност инструкции, илюстрации и спецификации, предоставени с този електрически инструмент. Неспазването на инструкциите, изброени по-долу, може да доведе до електрически удар, пожар и/или тежки физически травми.

Съхранявайте всички предупреждения и инструкции за бъдещи справки.

ПРЕДУПРЕЖДЕНИЯ ЗА БЕЗОПАСНОСТ ПРИ РАБОТА С ЦИРКУЛЯРНИЯ ТРИОН

ПРОЦЕДУРИ ЗА РЯЗАНЕ

⚠ ОПАСНОСТ

Дръжте ръцете си далече от зоната на рязане и острието. Дръжте другата си ръка върху спомагателната ръкохватка или корпуса на двигателя. Ако и двете ръце държат триона, те не могат да бъдат порязани от острието.

- **Не поставяйте ръката си под работния детайл.** Предпазителят не може да ви защити от острието под работния детайл.
- **Регулирайте дълбочината на рязане според дебелината на работния детайл.** Под работния детайл трябва да се вижда по-малко от цялата дължина на зъбите на острието.
- **Никога не дръжте материала, който режете, в ръце или през краката си.** Закрепете работния детайл към стабилна платформа. Важно е да

закрепвате детайла правилно, за да се намалат до минимум рискът за тялото, извиването на острието или загубата на контрол.

- **Дръжте електрически инструмент само за изолираните повърхности за хващане, когато извършвате операция, при която режещият инструмент може да влезе в контакт със скрити проводници или със собствения си кабел.** Контактът с проводник, по който тече ток, може да доведе до протичането на ток по неизолираните метални части на електрическия инструмент и да причини токов удар на оператора.
- **Когато правите надлъжен разрез, винаги използвайте ограда за нацепване или прав ъглов водач.** Това подобрява точността при рязане и намалява възможността от огъване на острието.
- **Винаги използвайте остриета с правилен размер и форма (диамантени пред кръгли) с дупки.** Остриета, които не съответстват на монтажната рамка на триона, ще работят ексцентрично, причинявайки загуба на контрол.
- **Никога не използвайте повредени или неправилни болтове или шайби за остриетата.** Шайбите и болтовете на остриетата са направени специално за вашия трион за оптимално изпълнение и безопасност при работа.

ПРИЧИНИ ЗА ОТКАТ И СВЪРЗАНИ С ТОВА ПРЕДУПРЕЖДЕНИЯ:

- откатът е внезапна реакция на притиснато, огънато или изкривено острие, което води до неконтролиран отскок на триона от работния детайл към оператора;
 - когато острието е притиснато или здраво захванато в прореза, то засяда и реакцията на мотора започва да издърпва уреда назад към оператора;
 - Ако острието се усуче или изкриви в прореза, зъбите в задния край на острието може да задълбавят в горната повърхност на дървото, което ще причини отскачане на острието от прореза към оператора.
- Откатът е следствие на неправилно използване на електрическия инструмент. Той може да бъде предотвратен с предприемане на подходящи предпазни мерки, които са описани по-долу:
- **Поддържайте здрав захват с две ръце върху машината и застанете така, че да можете да противостоите на откатните сили.** Разположете тялото си от която и да е страна на острието, но не и успоредно с него. Откатът може да накара острието да отскочи назад, но операторът може да контролира тези сили, ако се вземат подходящи предпазни мерки.
 - **Когато острието е захванато или когато рязането се прекъсне по някаква причина, освободете спусъка и дръжте триона в покой в материала, докато острието напълно спре. Никога не опитвайте да изваждате триона от работния детайл или да го дърпате назад, докато острието се движи, тъй като може да се получи откат.** Направете проверка и предприемете коригиращи действия, за да отстраните причината за огъване на острието.
 - **При рестартиране на триона в работния детайл, центрирайте острието на триона в прореза и проверете дали зъбите не са захванати в**





материала. Ако острието на триона се огъне, може да се извади или да отскочи от детайла при рестартиране на триона.

- **Поддържайте по-големите панели, за да намалите риска от защипване и откат на острието.** Големите панели могат да се огънат от собствената си тежест. Трябва да се поставят подпори под панела, от двете страни, близо до линията на рязане и до ръба на панела.
- **Не използвайте тъпи или повредени остриета.** Неподострените или неправилно поставени остриета правят тесни прорези, което причинява прекомерно триене, огъване на острието и откат.
- **Регулиращите заключващи лостове за дълбочината на острието и за наклона трябва да са затегнати здраво преди да се пристъпи към рязане.** Ако регулирането на острието се измести по време на рязане, то може да причини огъване и откат.
- **Бъдете особено внимателни, когато режете в съществуващите стени или други слепи зони.** Издаденото острие може да среже предмети, които могат да причинят откат.

ФУНКЦИЯ НА ДОЛНИЯ ПРЕДПАЗИТЕЛ

- **Проверявайте долния предпазител за правилно затваряне преди всяка употреба. Не работете с триона, ако долният предпазител не се движи свободно и затворете веднага острието. Никога не закрепвайте или не завързвайте долния предпазител така, че острието да е открито.** Ако трионът падне случайно, долният предпазител може да се огъне. Повдигнете долния предпазител с прибиращата се ръкохватка и се уверете, че той се движи свободно и не докосва острието или друга част във всички ъгли и дълбочини на срязване.
- **Проверете работата на възвратната пружина на долния предпазител. Ако предпазителят и възвратната пружина на работят правилно, те трябва да се сервизират преди употреба.** Долният предпазител може да работи бавно поради повредени части, смолисти натрупвания или натрупване на отпадъци.
- **Долният предпазител може да се прибира ръчно само за специални разрези, като напр. „потъващо рязане“ и „комбинирани разрези“.** Повдигнете долния предпазител с прибиращата се ръкохватка и когато острието влезе в материала, предпазителят трябва да бъде освободен. За всякакви други видове рязане долният предпазител трябва да работи автоматично.
- **Винаги наблюдавайте дали долният предпазител покрива острието преди да оставите триона на пейка или на пода.** Незащитено, работещо по инерция острие ще причини движение на триона назад и ще нареже всичко по пътя си. Внимавайте за времето, необходимо на острието да спре след отпускане на превключателя.

ИНСТРУКЦИИ ЗА РАБОТА С ОСТРИЕТА ЗА РЯЗАНЕ НА ДЪРВО

- Моля, прочетете ръководството и инструкциите внимателно, преди да използвате острието на триона и електрическия инструмент.

- Електрическият инструмент трябва да бъде в добро състояние, шпинделът да не е деформиран и да няма вибрации.
- Не използвайте триона, ако предпазителите не са поставени на място. Дръжте предпазителите в добро състояние за работа и извършвайте подходяща поддръжка.
- Уверете се, че операторът има подходящо обучение за мерки за безопасност, регулиране и работа с електрическия инструмент.
- Винаги носете предпазни очила и антифони, когато използвате електрическия инструмент. Препоръчително е да носите ръкавици и здрави, непързалиящи се обувки.
- Преди да използвате какъвто и да е аксесоар се консултирайте с ръководството. Неправилната употреба на аксесоар може да причини повреда и да увеличи възможността от нараняване.
- Използвайте само остриета, посочени в настоящото ръководство, които са в съответствие с EN 847-1.
- Наблюдавайте максималната скорост, отбелязана на острието на триона. Уверете се, че скоростта, отбелязана на острието на триона, е поне равна на скоростта, отбелязана на триона.
- Винаги използвайте остриета с правилен размер и форма с дупки. Остриета, които не съответстват на монтажната рамка на триона, ще работят ексцентрично, причинявайки загуба на контрол.
- Не използвайте остриета с по-голям или с по-малък диаметър от препоръчителния. Не използвайте раздетелители, за да напаснете острието върху шпиндела.
- Проверявайте върховете на циркулярното острие за повреда и необичаен външен вид преди всяка употреба. Върховете, които са повредени или хлабави, могат да се превърнат в летящи предмети при употреба и да увеличат възможността от физически наранявания.
- Не използвайте пукнати или изкривени циркулярни остриета. Не използвайте циркулярни остриета, които са повредени или деформирани
- Изхвърлете циркулярното острие, ако е повредено, деформирано, изкривено или пукнато; не е разрешен ремонт.
- Не използвайте остриета от бързорезеща стомана.
- Уверете се, че циркулярното острие е монтирано правилно. Затегнете здраво болта на острието преди употреба (момент на затягане приблизително 10-15 Nm).
- Винтовете и гайките за закрепване трябва да се затягат с помощта на подходящ ключ.
- Не се разрешава удължаване на ключа или затягане с чук.
- Уверете се, че острието и фланците са чисти, а вдлъбнатите страни на пръстена са срещу острието.
- Уверете се, че острието се върти в правилната посока.
- Преди употреба направете пробен разрез, без да включвате мотора, за да проверите позицията на острието, работата на предпазителите по отношение на други части на машината и работния детайл.



- Никога не оставяйте електрическия инструмент без надзор.
- Не използвайте лубриканти върху острието, докато се върти.
- Никога не извършвайте дейности по почистване или поддръжка, докато електрическият инструмент все още работи и главата не е в позиция на покой.
- Никога не опитвайте да спирате ръязко инструмент в движение, опитвайки се да го заклещите или с някакви други средства срещу острието. По този начин могат да възникнат сериозни нещастни случаи.
- Изключете триона от ел. мрежа или извадете батерията, преди да смените остриетата или да извършите поддръжка.
- Обърнете внимание на опаковането и разопаковането на острието. Може лесно да се нараните на острият ръбов на острието.
- Използвайте държач за острие или носете ръкавици, когато работите с циркулярно острие.
- Дръжте и съхранявайте острието в оригиналната или в друга подходяща опаковка. Дръжте острието на сухо и далече от химикали, които могат да го повредят.

⚠ ПРЕДУПРЕЖДЕНИЕ

- Носете средства за защита на зрението и слуха.
- Избягвайте прегряване на върховете на острието. Не използвайте тъпи или повредени остриета. Не насилвайте продукта.
- Използвайте само препоръчителните циркулярни остриета.

ДОПЪЛНИТЕЛНИ ПРЕДУПРЕЖДЕНИЯ ЗА БЕЗОПАСНОСТ

- Не използвайте абразивни дискове.
- Използвайте само дискове с диаметри в съответствие с маркировките.
- Установете правилния циркулярен диск за материала, който трябва да се отреже.
- Използвайте само циркулярни дискове, маркирани със скоростр, авна или по-висока от скоростта, маркирана върху инструмента.
- Използвайте само препоръчани от производителя остриета за трион, които отговарят на EN 847-1, ако са предназначени за дърво и аналогични материали.
- Носете подходяща маска против прах.
- Само за RCS1400: Резкият скок на мощността причинява флукутации на напрежението и може да повлияе на други електрически изделия на същата силова линия. Свържете изделието към електрозахранване с импеданс, равен или по-малък от Zmax=0.459 ома, за да минимизирате флукуациите на напрежението.

ПРАВИЛА ЗА БЕЗОПАСНОСТ ПРИ РАБОТА С ЛАЗЕР (RCS1600)



- Лазерното лъчение, използвано в този трион, е от Клас 2 с максимум ≤1mW и дължина на вълните 650 nm. Не се възбъртайте в лъча. Несъответствието с правилата може да доведе до сериозни физически наранявания.



- Ние сме ви предоставили самозалепващ се етикет на вашия език и ви молим да го поставите върху съществуващия етикет на английски език, който се намира отстрани на инструмента, преди да въведете машината в експлоатация за първи път.
- Не се вглеждайте в лъча по време на работа.
- Не насочвайте лазерния лъч директно в очите на другите. Това може да доведе до сериозно нараняване на очите.
- Не поставяйте лазера в позиция, която би могла да накара някой да се вгледа в него волно или неволно.
- Не използвайте оптически инструменти за разглеждане на лазерния лъч.
- Не работете с лазера близо до деца или не позволявайте на деца да го използват.
- Не опитвайте да ремонтирате лазерното устройство сами.
- Не опитвайте да сменят никакви части на лазерното устройство сами.
- Всички ремонтни дейности трябва да се извършват само от производителя на лазера или оторизиран сервизен представител.
- Не сменяйте лазера с различен вид.

НЕПРЕДВИДЕНИ РИСКОВЕ

Дори когато продуктът се използва по предназначение, е невъзможно напълно да се ограничи влиянието на определени рискови фактори. Могат да възникнат следните опасности и операторът трябва да обърне особено внимание, за да ги избегне:

- Наранявания, причинени от откат
 - Прочетете и разберете информацията в ръководството.
- Наранявания, причинени от прах
 - Прахът може да влезе в очите или в дихателната система. По всяко време носете защитни средства за очите. Носете подходяща маска против прах с филтри, подходящи за защита срещу частици от материала, който режете, и абразивни частици от аксесоарите. Не употребявайте храни, напитки или цигари в зоната на работа. Осигурете подходяща вентилация.
- Наранявания, причинени от токов удар
 - Острието може да засегне скрити проводници, което да доведе до протичане на ел. ток

по частите. Винаги дръжте продукта за определените за това ръкохватки и внимавайте, когато пробивате на сяпю стени и подове, в които може да има скрити проводници.

ЗАБЕЛЕЖКА: Когато работите в стени, тавани или подове, избягвайте засягането на електрически кабели, газови и водни тръби.

- Нараняване поради контакт с острието
 - Остриетата са много остри и ще загреят по време на употреба. Носете ръкавици, когато смените остриетата. Дръжте ръцете си далече от зоната на рязане през цялото време. Никога не дръжте материала, който режете, в ръце или през краката си. Пристегнете работния детайл в менгеме, когато е възможно.
- Нараняване, причинено от вибрация.
 - Ограничете излагането. Вижте „Намаляване на риска“.

НАМАЛЯВАНЕ НА РИСКА

Известно е, че вибрациите, произвеждани от ръчни инструменти може да предизвикат у някои индивиди заболяване, наречено Синдром на Рейнолд (Raynaud's Syndrome). Симптомите може да включват изтръпване, схващане и изbledняване на пръстите, обикновено се забелязват при излагане на студ. Смята се, че наследствените фактори, излагането на студ и влага, диетите, пушенето и някои работни навици допринасят за развитието на тези симптоми. Могат да се вземат някои мерки, които могат да се предприемат от оператора, за да се намалат ефектите от вибрациите:

- Поддържайте телесната температура в студено време. Когато боравите с инструмента, носете ръкавици, за да поддържате ръцете и китките си топли. Според изследвания главният фактор, допринасящ за развитието на Raynaud's Syndrome, е студеното време.
- Правете упражнения за активизиране на кръвообращението след всеки работен цикъл.
- Редовно излизайте в почивка. Ограничете излагането на вибрации на ден.

При поява на някой от симптомите на това заболяване, незабавно прекратете употребата на инструмента и посетете лекар.

⚠ ПРЕДУПРЕЖДЕНИЕ

Продължителното използване на инструмента може да доведе до наранявания или влошаване. При използване на инструмента за продължителни периоди от време правете чести почивки.

ОПОЗНАЙТЕ ВАШИЯ ПРОДУКТ

Вж. страница 135.

1. Спусък
2. Фиксиращ бутон
3. Горен предпазител
4. Адаптер за изхода за отделяне на праха
5. Лост за прибиране на долния предпазител
6. Болт на острието
7. Долен предпазител

8. Ръкохватка, изолирана повърхност за захващане
9. Ъглова скала
10. Врътка за заключване на ъгловата скала
11. Заключване на надлъжния водач
12. Основа
13. Лазерна глава (RCS1600)
14. Острие
15. Гаечен ключ
16. Надлъжен водач

ПОДДРЪЖКА

⚠ ПРЕДУПРЕЖДЕНИЕ

Продуктът не трябва никога да се включва в захранване, когато сглобявате части, правите настройки, почиствате, извършвате поддръжка или когато не го използвате. Изключването на продукта от захранването ще предотврати случайно стартиране, което би могло да причини сериозни наранявания.

⚠ ПРЕДУПРЕЖДЕНИЕ

При обслужване използвайте само оригинални резервни части, аксесоари и средства за прикрепване на производителя. Използването на други части може да ви постави в опасност или да повреди продукта.

⚠ ПРЕДУПРЕЖДЕНИЕ

В никакъв случай не позволявайте пластмасовите части да влизат в контакт със спирални течности, нефтени продукти, проникващи масла и т.н. Химикалите могат да повредят, отслабят или унищожат пластмасата, което може да доведе до сериозни физически наранявания.

- Избягвайте използването на разтворители при почистването на пластмасовите части. Повечето пластмаси са чувствителни към различни видове разтворители и може да се повредят при използването на такива. Използвайте меки кърпи за отстраняване на замърсявания, въглероден прах и др.
- Уверете се, че сте изключили продукта от захранването, преди да монтирате или да махнете циркулярното острие. Почиствайте инструмента и системата за защита с чиста кърпа или чрез компресиран въздух.
- Винаги носете предпазна маска или очила със странични екрани, когато боравите с механизирани инструменти или издухвате прах. Ако при работата се отделя прах, използвайте и маска за предпазване от него.
- Ако захранващият кабел е повреден, той трябва да бъде заменен със специален кабел или механизъм, достъпни от производителя или негов сервизен представител.
- За по-голяма безопасност и надеждност всички ремонти трябва да се извършват от оторизиран сервиз.

СМАЗВАНЕ

Всички лагери в този продукт за смазани с достатъчно количество висококачествено масло, което трябва да стигне за целия експлоатационен живот на инструмента при нормални работни условия. Затова не е необходимо допълнително смазване.

ОПАЗВАНЕ НА ОКОЛНАТА СРЕДА



Рециклиране на суровини, вместо за обезвреждане като отпадък. Машината, допълнителните приспособления и опаковките трябва да бъдат подложени на подходяща преработка за оползотворяване на съдържащите се в тях вторични суровини.

СИМВОЛИ НА ПРОДУКТА



Предупреждение относно безопасността

V

Напрежение

Hz

Херц

~

Променлив ток

W

Ватове

n°

Скорост в ненатоварен режим

min⁻¹

Обороти или възвратно-постъпателни движения в минута



Дърво



Не режете метали



Носете антифони



Носете защитни средства за очи



Лазерно лъчение.

Не се взирайте в лъча.

Лазерен продукт от Клас 2

λ: 650nm; P≤1mW

EN 60825-1:2014



Опасност! Остро острие



Не излагайте на дъжд



Ширина на рязане



Зъби на острието



Инструмент от клас II, двойна изолация



EC Съответствие



EurAsian знак за съответствие



001

Украински знак за съответствие



Прочетете инструкциите внимателно, преди да стартирате машината.



Електрическите уреди не трябва да се изхвърлят заедно с битовите отпадъци. Рециклирайте, където има възможност. Обърнете се за съвет по рециклирането към местните власти или разпространителите.

СИМВОЛИ В НАСТОЯЩОТО РЪКОВОДСТВО



Включете в захранването.



Изключете продукта от електрозахранването.



Частите или принадлежностите се продават отделно



Ключалка



Отключване



Забележка

Следните сигнални думи и значенията им са предназначени да обяснят нивата на опасност, свързани с този продукт.

⚠ ОПАСНОСТ

Указва неминуемо опасна ситуация, която ако не бъде избегната, ще доведе до сериозни наранявания или смърт.

⚠ ПРЕДУПРЕЖДЕНИЕ

Указва потенциално опасна ситуация, която ако не бъде избегната, може да доведе до сериозни наранявания или смърт.

⚠ ВНИМАНИЕ

Указва потенциално опасна ситуация, която ако не бъде избегната, може да доведе до дребни или средни наранявания.

ВНИМАНИЕ

(Без предупредителен символ за безопасност) Указва ситуация, която може да доведе до имуществени щети.



Головними міркуваннями при розробці цієї циркулярної пилки були безпека, ефективність та надійність.

ПРИЗНАЧЕННЯ

Циркулярна пилка призначена для використання тільки дорослими, які повністю прочитали та зрозуміли інструкції та попередження у цьому керівництві і можуть вважатися відповідальними за власні дії.

Пристрій призначений для розпилювання вздовж волокон, поперечного розпилювання деревини та схожих матеріалів з максимальною глибиною 54 мм. За допомогою пристрою можна робити прямі або скошені відрізи між 0 і 45 градусами. При використанні пили основа інструменту має торкатися деталі, що оброблюється. Інструмент слід використовувати тільки у сухій, добре освітленій зоні з достатньою вентиляцією.

Пристрій призначений для ручного використання. Пристрій не можна встановлювати на верстаті, якщо тільки виробник пристрою не дає конкретних інструкцій про те, як це зробити. Не використовувати для різання металу або каміння.

Не використовуйте пристрій для будь-яких інших цілей. Використання електричного інструменту для операцій, які відрізняються від призначених, може призвести до небезпечної ситуації.

⚠ ПОПЕРЕДЖЕННЯ

Прочитайте всі правила безпеки, інструкції, ілюстрації і специфікації, що поставляються з електроінструментом. Недотримання всіх зазначених інструкцій може призвести до ураження електричним струмом, пожежі та/або серйозних травм.

Збережіть всі інструкції і вказівки для майбутнього використання.

ЗАХОДИ БЕЗПЕКИ ПРИ КОРИСТУВАННІ ЦИРКУЛЯРНОЮ ПИЛКОЮ

РИЗАННЯ

⚠ НЕБЕЗПЕКА

Тримайте руки подалі від зони різання та диску. Тримайтеся другою рукою за допоміжну ручку або корпус мотора. Якщо тримати пилку обома руками, їх неможливо травмувати ріжучим диском.

- Слідкуйте, щоб руки не потрапили під деталь, що оброблюється. Щиток не захистить вас від диску під деталлю.
- Встановлюйте глибину різання відповідно до товщини деталі. Під деталлю, що оброблюється, має бути видно неповний зубець диску.
- Ніколи не відрізайте заготівку в ваших руках або через вашу ногу. Закріпіть деталь, що оброблюється, на стійкій платформі. Важливо правильно організувати роботу, аби мінімізувати

ризик нанесення травми, блокування диску або втрату контролю.

- Під час виконання операції, в якій ріжучий інструмент може контактувати з прихованою проводкою або шнуром живлення, тримайте електроінструмент тільки за ізольовані поверхні. Контакт із дротом під напругою також може передати напругу на металеві частини і користувач може бути уражений електричним струмом
- При подовжньому різанні завжди використовуйте напрямну планку або косинець. При цьому підвищується точність різання та знижується вірогідність заклинювання диску.
- Завжди використовуйте диски зі шпindelними отворами правильного розміру та форми (ромбовидної/круглої). Леза, які не відповідають монтажному обладнанню пилки будуть працювати ексцентрично, що призведе до втрати контролю.
- Забороняється використовувати пошкоджені або непридатні шайби чи болти кріплення диску. Шайби та болт спеціально розроблено для цієї пилки, вони забезпечують оптимальну ефективність та надійність роботи.

ПРИЧИНИ ВІДСКОКУ ТА ВІДПОВІДНІ ПОПЕРЕДЖЕННЯ:

- віддача - це несподівана реакція на пильний, затиснутий або пошкоджений диск, що спричиняє неконтрольований підйом пилу від заготовок до оператора;
- коли лезо стискається або щільно защемляється, закриваючи ручку, лезо блокується, а двигун швидко повертає пристрій до оператора;
- Якщо диск перекошується у розпилі, зубці на задній частині диску чіпляються за верхній край деталі, внаслідок чого диск виривається з розпилу та штовхає пилку в напрямку оператора.

Віддача є наслідком неправильного застосування електро інструменту та/або неправильних процедур або умов експлуатації і може бути уникнута застосуванням належних запобіжних заходів, як зазначено нижче.

- Міцно тримайте пилку обома руками та розташуйтеся так, щоб бути готовим на випадок відскоку. Ставайте так, щоб ваше тіло знаходилося з одного чи іншого боку від диску, а не на лінії диску. Відскок примушує пилку рухатися назад, але його можна контролювати, якщо заздалегідь вжити належних заходів.
- Якщо диск застряг або ж у разі переривання процесу розпилювання з будь-якої причини відпустіть курок і втримуйте пилку до повної зупинки диску. Ніколи не витягайте диск з матеріалу і не рухайте пилку назад, коли диск обертається: це може призвести до відскоку. З'ясуйте, чому диск застряг, та усуньте причину.
- При повторному запуску пилки, коли диск знаходиться в деталі, розташуйте пилку так, щоб диск був паралельним розпилу, і переконайтесь, що зубці не чіпляються за матеріал. Якщо диск заблокований, він може підніматися або відскакувати від заготовки, коли пила запускається





знову.

- **При розпилювання панелей великого розміру задля уникнення заклинювання диску та відскоку забезпечте опори для панелей.** Великі заготовки можуть прогинатися під власною вагою. Опори необхідно розміщати під панелями з обох боків поблизу до лінії розпилювання та біля краю панелей.
- **Не використовуйте тупі або пошкоджені диски.** при використанні незагострених або неправильно встановлених дисків розпил буде занадто вузьким, що може призводити до надмірного тертя, заклинювання диску та відскоку.
- **Перед розпилюванням переконайтеся, що важелі регуляторів глибини та кута різання надійно затягнуті.** Якщо налаштування диску буде порушено під час розпилювання, це може призвести до заклинювання диску та відскоку.
- **Будьте обережними при розпилюванні стін та роботі в місцях з обмеженою видимістю.** Виступаючий диск може зачепитися за перешкоди, що може призвести до відскоку.

НИЖНІЙ ЗАХИСНИЙ ЩИТОК

- **Перед кожним використанням перевіряйте, чи закритий нижній захисний щиток.** Забороняється користуватися пилкою, якщо нижній захисний щиток застрягає або не фіксується. Забороняється фіксувати нижній захисний щиток у відкритому положенні. Якщо пилку випадково упустити, нижній щиток може погнутися. Підніміть нижній щиток за ручку та переконайтеся, що він рухається вільно і не торкається ані диску, ані будь-якої іншої частини інструменту при будь-яких кутах чи глибині розпилювання.
- **Перевірте роботу пружини нижнього захисного щитка.** У разі порушення в роботі щитка чи пружини пилку слід доставити до сервісного центру для технічного обслуговування. Порушення в роботі нижнього щитка можливі через пошкоджені деталі, налипання або накопичення сміття.
- **Дозволяється відводити нижній щиток лише для спеціальних розрізів, наприклад, пропилів чи складних розпилів.** Підніміть нижній щиток за ручку; як тільки диск увійде в матеріал, відпустіть щиток. В усіх інших випадках нижній щиток має працювати автоматично.
- **Перш ніж покласти пилку на верстак чи підлогу, переконайтеся, що нижній щиток прикриває ріжучий диск.** Якщо цього не зробити, при включенні інструменту пилка рухатиметься назад, розрізаючи все на шляху. Зауважте, що після вимкнення необхідний певний час, щоб диск зупинився повністю.

ЗАХОДИ БЕЗПЕКИ ПРИ РОБОТІ З ДИСКАМИ ДЛЯ РІЗАННЯ ДЕРЕВИНИ

- Будь ласка, прочитайте керівництво та інструкції перед використанням пилки і машини.
- Машина повинна бути в гарному стані, шпindel

без деформації і вібрації.

- Не користуйтеся пилою зі знятими захисними щитками. Тримайте кожухи в доброму робочому стані і належним чином встановленими.
- Переконайтеся, що оператор належним чином підготовлений з техніки безпеки, налагодження та експлуатації машини.
- Завжди надягайте захисні окуляри та засоби захисту органів слуху при використанні машини. Рекомендується надягати рукавички та міцне, неслизьке взуття.
- Перед використанням будь-якого аксесуара, зверніться до інструкції з експлуатації. Неправильне використання приладдя може призвести до пошкодження і збільшити потенціал для травми.
- Використовуйте тільки леза, зазначені у цьому посібнику, з дотриманням EN 847-1.
- Дотримуйтесь максимальної швидкості, зазначеної на дисковій пилці. Забезпечте швидкість, зазначену на лезі пилки, принаймні дорівнюючі швидкості, позначеної на пилі.
- Завжди використовуйте леза з правильним розміром і формою отворів оправки. Леза, які не відповідають монтажному обладнанню пилки будуть працювати ексцентрично, що призведе до втрати контролю.
- Не використовуйте диски більшого чи меншого діаметру, ніж рекомендується. Не використовуйте прокладки, щоб посадити лезо на шпindel.
- Перевірте кінчики пилкового леза на наявність пошкоджень, або ненормальний вигляд перед кожним використанням. Кінчики, які були пошкоджені або ослаблені можуть стати летючими об'єктами при використанні і збільшити шанси отримання травми.
- Не використовуйте тріснуті або спотворені леза. Не використовуйте леза пилки, які були пошкоджені або деформовані.
- Викиньте пильне лезо, якщо воно пошкоджене, деформоване, спотворене або тріснуте, ремонт не допускається.
- Не використовуйте леза зі швидкоріжучої сталі.
- Переконайтеся, що пила правильно встановлена перед використанням. Перед користуванням надійно затягніть болт кріплення диску (зусилля затягування прибл. 10-15 Нм).
- Кріпильний гвинт і гайки повинні бути затягнуті, використовуючи відповідний ключ, і т.д.
- Розширення гайкового ключа або затягування за допомогою ударів молотка не допускається.
- Переконайтеся, що лезо і фланці чисті і закриті з боку втулки проти леза.
- Переконайтеся, що лезо обертається в правильному напрямку.
- Перед роботою, зробити пробний зріз без включеного двигуна, щоб становити леза, робота захистів по відношенню до інших частин машини і заготовки можуть бути перевірені.
- Ніколи не залишайте працюючий виріб без нагляду.
- Не застосовуйте мастильні матеріали на лезі, коли

EN
FR
DE
ES
IT
NL
PT
DA
SV
FI
NO
RU
PL
CS
HU
RO
LV
LT
ET
HR
SL
SK
BG
UK
TR
EL



воно працює.

- Ніколи не виконуйте будь-яке чищення або технічне обслуговування, коли машина все ще працює, і головка не в положенні спокою.
- Ніколи не намагайтеся зупинити електроінструмент, який швидко рухається, заблокувавши диск механічним інструментом або іншим предметом. Це може призвести до серйозних пошкоджень і травм.
- Перед заміною диску або роботами з обслуговування обов'язково від'єднайте інструмент від мережі живлення чи акумулятора.
- Будьте обережними під час упакування чи розпакування ріжучого диску. Він має гостру кромку, об яку легко можна порізатися.
- Використовуйте тримач леза або носіть рукавички при роботі з лезом пилки.
- Тримайте та зберігайте диск в оригінальному або іншому придатному пакуванні. Зберігайте в сухому місці, окремо від хімічних речовин, що можуть пошкодити ніж.

▲ ПОПЕРЕДЖЕННЯ

- Носіть очей і вух.
- Слідкуйте за тим, щоб кромка диску не перегрівалася. Не використовуйте тугі або пошкоджені диски. Не перевантажуйте електроінструмент.
- Дозволяється використовувати пильні диски, рекомендовані.

ДОДАТКОВІ ЗАХОДИ БЕЗПЕКИ.

- Не встановлюйте на пилку абразивні диски.
- Використовуйте діаметр леза відповідно до маркування.
- Визначте правильний диск, який буде використовуватися для різання матеріалу.
- Використовуйте лише полотна, призначені для швидкості, рівній або вищій за швидкість, позначену на інструменті.
- Використовуйте лише диски, рекомендовані виробником, які відповідають EN 847-1, якщо вони призначені для деревини та аналогічних матеріалів.
- Носіть ефективну маску від пилу.
- Тільки для RCS1400: Сплеск напруги призводить до коливань, що можуть впливати на інші електричні прилади в одній лінії електропередачі. Підключіть пристрій до мережі живлення з імпедансом рівним $Z_{max}=0.459 \text{ Ом}$, щоб звести до мінімуму коливання напруги.

ПРАВИЛА БЕЗПЕКИ ЛАЗЕРА (RCS1600)



- Лазерне випромінювання, що використовується в цій пилці класу 2 з максимальною $\leq 1 \text{ мВатт}$ і 650 нм довжиною хвиль. Не дивіться на лазерний промінь.

Недотримання цього попередження може призвести до серйозних травм.



Ми поставили вам наклейку на вашій мові, і тепер просимо Вас наклеїти її поверх існуючої етикетки на англійській мові, яка знаходиться на боці інструменту, перед першим введенням в експлуатацію машини.

- Не дивіться на промінь під час роботи.
- Не спрямовуйте лазерний промінь прямо в очі інших. Це може спричинити серйозні травми очей.
- Не встановлюйте лазер в положенні, яке може спричинити навмисний або ненавмисний вплив лазерного променя.
- Не використовуйте оптичні інструменти, щоб подивитися на лазерний промінь.
- Не використовуйте лазер навколо дітей і не дозволяйте дітям управляти лазером.
- Не намагайтеся ремонтувати прилад лазера самостійно.
- Не намагайтеся змінити які-небудь частини лазерного пристрою самостійно.
- Будь-які ремонтні роботи повинні виконуватися тільки виробником лазера або авторизованим сервісним агентом.
- Не замінійте лазер іншим типом.

ЗАЛИШКОВІ РИЗИКИ

Навіть коли продукт використовується як написано, залишається неможливим повністю усунути деякі залишкові чинники ризику. Наступні небезпеки можуть виникнути і оператор повинен звернути особливу увагу, щоб уникнути наступного:

- Травми, викликані віддачею
 - Прочитайте та зрозумійте інформацію, що наведено в цьому керівництві.
- Травми, викликані пилом.
 - Пил може потрапляти в очі або дихальні шляхи. Увесь час носіть захист для очей. Носіть відповідну маску від пилу з фільтрами, придатну для захисту від частинок оброблюваного матеріалу. Не їжте, не пийте і не паліть в робочій зоні. Забезпечте достатню вентиляцію на робочому місці.
- Травми, викликані електричним струмом
 - Лезо може контактувати з прихованою проводкою, в результаті чого частини продукту, стануть пvd напругою. Завжди тримайте виріб за призначені ручки і пильнуйте, коли сліпому різанні в стінах і підлогах, де кабелі можуть бути приховані.

ПРИМІТКА: При роботі на стінах, стелі, або підлозі, дбайте про уникнення електричних кабелів і газових або водопровідних труб.

- Травми при контакті з лезом



- Леза дуже гострі і нагріватимуться під час використання. Одягайте рукавички, коли замінюєте леза. Тримайте руки увесь час подалі від зони різання. Ніколи не відрізайте заготовку в ваших руках або через вашу ногу. Затисніть заготовку, коли це можливо.

- Травми, викликані вібрацією
 - Лімітуйте вплив. Дивіться «ЗНИЖЕННЯ РИЗИКУ».

ЗНИЖЕННЯ РИЗИКУ

Повідомлялося, що вібрації від ручних інструментів у певних осіб можуть сприяти стану, який називається синдромом Рейно. Симптоми можуть включати поколювання, оніміння і збліднення пальців, як правило, очевидні при впливі холоду. Спадкові фактори, вплив холоду і вогкості, дієта, куріння і робоча практика, всі ці чинники роблять свій внесок у розвиток цих симптомів. Ці заходи можуть бути прийнятні оператором, щоб можливо зменшити вплив вібрації:

- Тримайте тіло в теплі в холодну погоду. При експлуатації приладу, одягайте рукавички, щоб тримати руки і зап'ястя у теплі. Повідомлялося, що холодна погода є основним чинником, що сприяє синдрому Рейно.
- Після кожного періоду роботи, здійсніть вправи для підвищення кровообігу.
- Робіть часті перерви в роботі. Зробіть обмеження кількості впливу на день.

Якщо ви відчуваєте будь-які з симптомів цього стану, негайно припиніть використання і зверніться до лікаря з ціми симптомами.

⚠ ПОПЕРЕДЖЕННЯ

Тривале використання інструменту може викликати або посилити травми. При використанні інструменту протягом тривалого періоду, робіть регулярні перерви.

ЗНАЙТЕ СВІЙ ПРОДУКТ

Стор 135.

1. перемикача
2. Кнопка блокування
3. Верхній захисний кожух
4. Адаптер пилового отвору
5. Важіль нижнього щитка
6. Болт кріплення диску
7. Нижній захисний кожух
8. Ручка, ізольована поверхня для утримання
9. Кутомір
10. Фіксатор кутоміра
11. Фіксатор направляючої подовжнього різання
12. Основа
13. Лазерна головка (RCS1600)
14. Лезо
15. Гайковий ключ
16. Напрямна подовжнього різання

ОБСЛУГОВУВАННЯ

⚠ ПОПЕРЕДЖЕННЯ

Продукт не повинен бути підключений до джерела живлення при складанні деталей, регулюванні, чищенні, проведенні технічного обслуговування або коли продукт не використовується. Від'єднання пристрою від мережі живлення унеможливіює випадковий запуск пристрою, який може стати причиною серйозного травмування.

⚠ ПОПЕРЕДЖЕННЯ

При обслуговуванні використовуйте тільки оригінальні запасні частини аксесуари та обладнання від виробника. Використання будь-яких інших деталей може створити небезпеку або спричинити пошкодження продукту.

⚠ ПОПЕРЕДЖЕННЯ

Ніколи не дозволяйте гальмівній рідині, бензину, продуктам на основі нафти, і проникаючим маслам вступати в контакт з пластиковими деталями. Хімічні речовини можуть пошкодити, послабити або знищити пластик, який може привести до серйозної травми.

- Не використовуйте розчинники для очищення пластмасових деталей. Більшість пластмас вразлива до різних видів комерційних розчинників і може бути пошкоджена їх використанням. Використовуйте чисті ганчірки для видалення бруду і вугільного пилу.
- Обов'язково від'єднуйте інструмент від джерела живлення перед встановленням або зняттям диску. Чистіть виріб та захисні пристосування чистою ганчіркою.
- Завжди надягайте захисні окуляри або захисні окуляри з бічними щитками під час роботи електроінструмента або при здуванні пилу. Якщо робота пильна, також носіть захисну маску.
- Якщо кабель живлення пошкоджений, його слід замінити на спеціально призначений кабель або на такий, що постачається виробником або сервісним центром.
- Для більшої безпеки і надійності, всі ремонтні роботи повинні виконуватися в авторизованому сервісному центрі.

ЗМАЩУВАННЯ

Всі підшипники в продукт змащені достатньою кількістю високоякісного мастила для всього терміну служби продукту при нормальних умовах експлуатації. Таким чином, додаткове змащення не потрібно.



ЗАХИСТ НАВКОЛИШНЬОГО СЕРЕДОВИЩА



Переробляйте сировину замість утилізації в якості відходів. Машини, обладнання та упаковка повинні бути відсортовані для дружньої для навколишнього середовища утилізації.

СИМВОЛИ НА ПРОДУКТИ



Попередження безпеки

V

Вольти

Hz

Герц

~

Змінний струм

W

Ватти

n°

Швидкість без навантаження

min⁻¹

Оберти або зворотно-поступальні рухи у хвилину



Інструмент II класу, подвійна ізоляція



Дерево



Чи не різати метал



Носіть захист слуху



Завжди надягайте захисні окуляри.



Лазерне випромінювання.
Не дивіться на лазерний промінь.
Продукт лазера 2 класу
 λ : 650nm; $P \leq 1\text{mW}$
EN 60825-1:2014



Небезпека! Леза дуже гострі.



Не піддавайте впливу дощу або вологих умов.



Ширина різі



Зубці леза



CE відповідність

Євразійський знак відповідності



Український знак відповідності



Будь ласка, уважно прочитайте інструкцію перед запуском продукту.



Відходи електротехнічної продукції не слід викидати разом із побутовими відходами. Будь ласка, переробляйте там, де наявне устаткування. Перевірте з вашим місцевим органом влади або продавцем для консультацій з приводу переробки.

СИМВОЛИ В ЦЬОМУ ПОСІБНИКУ



Підключіть до джерела живлення.



Відключіть від джерела живлення.



Запчастини та аксесуари, що продаються окремо



Блокувати



Розблокувати



Примітка

Наступні сигнальні слова і значення призначені, щоб пояснити рівні ризику, пов'язаного з цим виробом.

НЕБЕЗПЕКА

Вказує на неминуче небезпечну ситуацію, яка, якщо її не уникнути, може призвести до смерті або серйозних травм.

ПОПЕРЕДЖЕННЯ

Вказує на потенційно небезпечну ситуацію, яка, якщо її не уникнути, може призвести до смерті або серйозних травм.

УВАГА

Вказує на потенційно небезпечну ситуацію, яка, якщо її не уникнути, може призвести до середньої або легкої травми.

УВАГА

(Без Символу Тривоги Безпеки) Вказує ситуацію, яка може закінчуватися пошкодженням власності.

Döner testereimizin tasarımında en yüksek öncelikli güvenlik, performans ve güvenilirliğe verdik.

KULLANIM AMACI

Döner testere, sadece bu kılavuzdaki talimatları ve uyarıları okuyup anlamış olan ve hareketlerinden sorumlu tutulabilecek yetişkinlerce kullanılmak üzere geliştirilmiştir. Ürün azami 54 mm derinliğe kadar olan ahşap veya benzer malzemelerin yarararak ve enine kesimi için tasarlanmıştır. Ürün düz veya 0 ve 45 derece arasında konik kesimler yapabilir. Kullanım sırasında aletin tabanı işlenen parçaya temas ediyor olmalıdır. Testere kuru, iyi aydınlanan ve havalandırılan bir alanda kullanılmalıdır.

Ürün elle kullanılmak üzere tasarlanmıştır. Testere üreticisi tarafından bu yönde özel talimat verilmediğiçe, ürün bir çalıřma tezgahına monte edilemez. Metal veya tař kesmek için kullanmayın.

Bu ürünü belirtilen kullanım amacı dışında herhangi bir amaçla kullanmayın. Elektrikli aletin tasarladığından farklı bir işte kullanılması tehlikeli durumlara neden olabilir.

⚠ UYARI

Bu aletle birlikte verilen tüm uyarı, talimat ve özellikleri dikkatlice okuyunuz ve resimli açıklamalara bakınız. Ařağıda belirtilen talimatlara uyulmaması, yangın, elektrik çarpması ve/veya ciddi bedensel yaralanmalar gibi kazalar sebep olabilir.

Tüm uyarıları ve talimatları daha sonra başvurmak üzere saklayın.

DÖNER TESTERE GÜVENLİK UYARILARI

KESME USULLERİ

⚠ TEHLİKE

Ellerinizin bıçağın kesin alanından uzak tutun. Aletin ana sapını tutmayan el yardımcı sapını tutmalıdır yada motor karterine dayalı durmalıdır. Böylece, elleriniz kesim alanında, bıçağın kesim alanında bulunmayacaktır.

- **Çalıřma parçasının altına ulaşmayın.** Kesimin derinliğini kesilecek maddenin kalınlığına göre ayarlayınız.
- **Bıçağın dişleri, kesim esnasında kesilecek maddenin altına tamamen geçmemelidir.** Kesilecek maddeyi elleriniz ile yada bacaklarınız arasında ASLA tutmayınız.
- **Sabit bir desteğın üzerine koyunuz.** İşlenecek parçayı sağlam bir platforma tespit edin. Yaralanma riskine maruz kalmamak ve bıçağı eğmemek yada aletin kontrolünü kaybetmemek için, kesilecek maddenin düzgün bir şekilde sabitlenmesi esastır.
- **Kesici aletin gizli kablolarla veya kendi kablusuyla temas edebileceğı durumlarda işlem yaparken, elektrikli aleti sadece yalıtılmış kavrama yüzeylerinden tutun.** "Elektrikli" bir tele temas etmek elektrikli aletin açıkta kalan metal bölümlerinde

"elektrikli" hale getirerek kullanıcıyı elektrik çarpmasına neden olabilir.

- **Kesimin netliğı daha iyi olacaktır ve bıçağı eğme riskinden kaçınacaksınız.** Daima, dingilin iç perdahına uygun boy ve şekilde bıçak kullanınız.
- **Dingilin niteliğine uygun olmayan bıçaklar düzgün olarak dönmeyecekler ve aletin kontrolünün kaybedilmesine neden olacaktır.** Asla defolu yada uygun olmayan vida ve bıçak kenedi kullanmayınız.
- **Bıçak kenetleri ve vidaları sizin testere modelinize göre, azami güvenlik ve performans için üretilmişlerdir.** Tüm testere tipleri için ilave güvenlik talimatları

GERİ TEPME NEDENLERİ VE İLGİLİ UYARILAR:

- geri tepme sıkışmış, tıkanmış ya da yanlış hizalanmış bir testere bıçağına ani bir tepkidir ve denetimsiz testerenin yükselip işlenen parçadan çıkmasına ve operatöre doğru yönelmesine neden olur;
- bıçak kapanan çentik tarafından kuvvetle sıkıştırılmış bıçak durur ve motor tepkisi ürünü hızla operatöre doğru iter;
- Dolayısı ile sıçrama, aletin kötü kullanımının ve/veya yanlış kesim şekillerinin yada şartlarının sonucudur.

Birkaç önleme uyararak engellenebilir.

- **Testereyi iki eliniz ile sıkıca tutunuz ve ani bir sıçramayı kontrol edebilecek şekilde kollarınızı şekillendiriniz.** Çalışırken daima testerenin yan tarafında olunuz, asla bıçak hizasında bulunmayınız. Sıçrama testereyi ani olarak geri atar, ancak kullanıcı bekliyor ve hazır ise kontrol edilebilir.
- **Şayet bıçak sıkışır, yada siz herhangi bir sebepten dolayı kesimi durdurmak zorunda kalırsanız, çalıştırma düğmesini bırakınız ve bıçak tamamen duruncaya dek bıçağı kesilen maddenin içerisinde bırakınız.** Bıçak hareket ederken testereyi asla geri çekmeye çalışmayın veya testereyi çalışma malzemesinden çekmeyin; geri tepme meydana gelebilir. Şayet bıçak sıkışır, sebebini araştırın ve bir daha olmaması için önlemleri alın.
- **Bir kesime devam etmek için testereyi tekrar çalıştırmadan evvel, bıçağı testerenin çizgisi ile hizalayınız ve dişlerin kesilecek maddeye temas etmediğinden emin olunuz.** Testere bıçağının bükülmesi halinde, testerenin yeniden çalıştırılması sırasında kalkabilir ya da işlenen parçadan geri tepebilir.
- **Bıçağın sıkışmasını engellemek için kesilecek uzun maddelerin sabitlenmesine ve böylece sıçrama risklerini azaltmaya dikkat ediniz.** Kesilecek uzun maddeler kendi ağırlıklarından dolayı bel vermeye eğilimlidir. Kesilecek maddenin iki ucuna, kesim çizgisinin yakınına maddenin uç hizasına destekler yerleştirebilirsiniz.
- **Körelmiş yada zarar görmüş bıçakları kullanmayınız, iyi bilinememiş yada yerleştirilmemiş bıçaklar, bıçağın aşırı sürtünmesine sebep olacak ince işaret meydana getirecektir ve bu da sürtünme ve sıçrama riskleri oluşturacaktır.** Ya da bilinemmiş uygunsuz bıçak seti dar kesime yol açarak aşırı sürtünmeye, kesim bağlayıcı ve geri tepmeye neden olur.



- Bir kesime başlamadan evvel, derinlik ve eğilme ayarı düğmelerinin düzgün şekilde bloke edilmiş olduklarından emin olunuz. Şayet bıçak pozisyonu düğmeleri kesim esnasında değiştirilirse, bu bıçağın sıkışmasına ve sıçramanın oluşmasına sebep olabilir.
- Mevcut duvarlarda ve kör noktalarda bıçıklama yaparken daha dikkatli olunmalıdır. Bıçak, sıçramaya sebep olabilecek saklı maddelere çarpabilir.

DÜŞÜK KORUMA FONKSİYONU

- Her kullanımdan önce, alt bıçak koruyucunun bıçağı iyi kavradığından emin olunuz. Şayet alt bıçak koruyucu serbest olarak çalışmıyor ise ve anında bıçağı kavrayamıyor ise testerenizi kullanmayınız. Alt bıçak koruyucuyu asla açık pozisyonda sabitlemeyiniz yada bağlamayınız. Şayet testere kaza ile düşer ise, alt bıçak koruyucu katlanabilir. Alt bıçak koruyucuyu anahtar yardımı ile kaldırınız ve zorlanmadan oynayabildiğinden ve kesim açısı ve derinliği ne olursa olsun ne bıçağa ne de başka bir parçaya temas etmediğinden emin olunuz.
- Alt bıçak koruyucunun yayının iyi durumda ve doğru şekilde çalıştığından emin olunuz. Şayet bıçak koruyucu yada yayı düzgün bir şekilde çalışmıyor ise, testerenizi kullanmadan evvel tamir ettiriniz yada değiştiriniz. Hasarlı parçalar, yapışan kalıntılar veya kir oluşumu alt koruyucunun sorunlu çalışmasına neden olabilir.
- Alt koruyucu, sadece “dip kesimleri” ve “bileşen kesimleri” gibi özel kesimlerde kapatılabilir. Alt bıçak koruyucuyu anahtar yardımı ile kaldırınız. Sonra, bıçak kesilecek maddeye girdiğinde, alt bıçak koruyucuyu bırakınız. Diğer tip kesimler için, alt bıçak koruyucu kendi kendisine yerini almaktadır.
- Testerenizi çalışma masasına yada yere koymadan evvel, dış bıçak koruyucunun bıçağı iyi örttüğünden emin olunuz. Şayet bıçak iyi örtülüyor ise, kontrolsüzce dönebilir ve alanında bulunan her şeyi kesebilir. Motorun durmasından sonra bıçağın bir süre daha dönmesi konusunda dikkatli olunuz.

AHŞAP KESME BİÇAĞI İÇİN GÜVENLİK TALİM ATLARI

- Testere bıçağını ve elektrikli aleti kullanmadan önce lütfen kılavuzu ve talimatları dikkatle okuyun.
- Elektrikli alet iyi durumda olmalı, milinde biçim bozulması ya da titreşim bulunmamalıdır.
- Korkulukları yerleştirmeden testereyi kullanmayın. Koruyucuların iyi çalışır durumda olmasını ve düzgün olarak bakımının yapılmasını sağlayın.
- Operatörün güvenlik önlemleri, ayarlar ve elektrikli aletin çalışması konularında yeterince eğitim aldığından emin olun.
- Elektrikli aleti kullanırken her zaman koruyucu gözlük ve kulaklık kullanın. Eldiven ve sağlam, kaymaz ayakkabılar giyilmesi tavsiye edilir.
- Herhangi bir aksesuar kullanmadan önce kullanım kılavuzuna başvurun. Herhangi bir aksesuarın uygunsuz kullanımı hasara yol açabilir ve yaralanma riskini artırabilir.
- Sadece bu kılavuzda açıklanan EN 847-1'e uygun bıçaklar kullanın.

- Testere bıçağında belirtilen maksimum hızı asla aşmayın. Testere bıçağında belirtilen hızın en az testere üzerindeki hızla eşit olduğundan emin olun.
- Dingilin niteliğine uygun olmayan bıçaklar düzgün olarak dönmeyecekler ve aletin kontrolünün kaybedilmesine neden olacaktır. Asla defolu yada uygun olmayan vida ve bıçak kenedi kullanmayın.
- Tavsiye edilenden daha büyük veya küçük çapta bıçaklar kullanmayın. Bıçağı mile oturtmak amacıyla ara parçalar kullanmayın.
- Her kullanımdan önce testere bıçağının uçlarını hasar veya anormal görünüş açısından kontrol edin. Hasarlı veya gevşek uçlar kullanım sırasında uçan cisim olabilir ve yaralanma riskini artırabilir.
- Çatlamış ya da eğri, düzgün olmayan testere kullanmayın. Arızalı ya da deforme olmuş testere kullanmayın.
- Hasarlı, biçimi bozulmuş, çarpılmış veya çatlamışa testere bıçağını atın; onarım yasaktır.
- HSS bıçaklar kullanmayın.
- Kullanmadan önce, testere bıçağının doğru monte edildiğinden emin olun. Kullanmadan önce bıçak civatasını iyice sıkıştırın (sıkıştırma torku yakl. 10-15 Nm).
- Tespit vidası ve somunları uygun somun anahtarıyla sıkıştırılmalıdır.
- Somun anahtarının uzatılması ya da çekiç darbeleriyle sıkırtmak yasaktır.
- Tüm bıçak ve flanşların temiz olduğundan ve burcun oluklu kenarlarının bıçağa baktığından emin olun.
- Bıçağın doğru yönde döndüğünden emin olun.
- Çalışmadan önce motoru açmadan yapay bir kesim yaparak bıçak pozisyonunu, koruyucuların diğer makine parçalarına göre nasıl çalıştığını ve çalışma parçasını kontrol edin.
- Aleti asla çalışır durumdayken gözetimsiz bırakmayın.
- Çalıştığı sırada bıçağa yağlama yağı sürmeyin.
- Makine çalışırken ve makine kafası hareketliken asla makine üzerinde temizlik ya da bakım işi yapmayın.
- Hareket halindeki bir elektrikli aleti asla bıçağa başka bir alet ya da herhangi bir başka cisim dayayarak çabuk durdurmaya çalışmayın. Aksi halde istenmeden de olsa, ciddi kazalar olabilir.
- Bıçak değiştirmeden ya da bakımdan önce testereyi ana şebekeden ya da aküden ayırın.
- Ambalaj yapar ya da açarken bıçağı dikkat edin. Keskin bıçak uçlarından yaralanma ihtimali vardır.
- Testere bıçağına dokunurken tutamak kullanın veya iş eldiveni giyin.
- Bıçağı orijinal ambalajında ya da uygun bir ambalajda muhafaza edip depolayın. Kuru yerlerde ve bıçağı zarar verebilecek kimyasallardan uzakta tutun.



⚠ UYARI

- Göz ve kulak koruyucu kullanın.
- Bıçak uçlarının fazla ısınmamasına dikkat edin. Körelmiş yada zarar görmüş bıçakları kullanmayınız, iyi bilenmemiş yada yerleştirilmemiş bıçaklar, bıçağın aşırı sürtünmesine sebep olacak ince işaret meydana getirecektir ve bu da sürtünme ve sıçrama riskleri oluşturacaktır. Alete güç uygulamayın.
- Sadece önerilen testere bıçaklarını kullanın..

İLAVE GÜVENLİK UYARILARI

- Hasar görmüş zımpara diskini asla kullanmayınız.
- Sadece markalarla uyumlu bıçak çapı/çapları kullanın.
- Kesilecek malzemeyle kullanılması uygun, doğru testere bıçağını belirleyin.
- Sadece alet üzerinde işaretli hıza eşit veya ondan daha yüksek hıza sahip testere bıçaklarını kullanın.
- Ahşap ve benzeri materyaller için kullanılacaksa, sadece üretici tarafından tavsiye edilen ve EN 847-1 uyumlu testere bıçakları kullanın.
- Toz maskesi kullanın.
- Sadece RCS1400 için: Ani bir voltaj yükselmesi, voltaj dalgalanmalarına neden olur ve bu durum aynı güç hattındaki diğer elektronik ürünlere zarar verebilir. Voltaj dalgalanmalarını en aza indirmek için ürünü $Z_{max}=0.459 \Omega$ değerinde empedansa sahip bir güç kaynağına bağlayın.

LAZER GÜVENLİĞİ (RCS1600)



- Testerede kullanılan lazer kılavuz ışması, maksimum $\leq 1mW$ ve 650 nm dalga boyuna sahip Sınıf 2'dir. Doğrudan lazer ışınına bakmayın. Kurallara uymamak insanların ciddi bir biçimde yaralanmalarına neden olabilir.



Lütfen kendi dilinizdeki bu yapışkanlı etiketi makineyi ilk kez kullanmadan önce uyarı etiketi üzerindeki İngilizce metnin yerine yapıştırın.

- Kullanım esnasında lazer ışınına bakmayın.
- Lazer ışını başkalarının gözlerine yönelmeyin. Ciddi göz yaralanmaları meydana gelebilir.
- Lazeri insanların lazer ışınına kasıtlı veya kazayla bakmasına neden olacak bir pozisyonda koymayın.
- Lazer ışınına bakmak için hiç bir optik araç kullanmayın.
- Lazeri çocukların bulunduğu yerde çalıştırmayın veya çocukların lazeri çalıştırmasına izin vermeyin.
- Lazer cihazını kendiniz onarmaya çalışmayın.

- Lazer cihazının hiçbir parçasını kendiniz değiştirmeye çalışmayın.
- Her türlü onarım işlemleri sadece lazer üreticisi ya da yetkili bir servis tarafından gerçekleştirilmelidir.
- Lazeri farklı tipte bir lazere değiştirmeyin.

ARDIL RİSKLER

Ürün belirtildiği şekilde kullanıldığı zaman bile belirli artık risk faktörlerinin tamamen ortadan kaldırılması mümkün değildir. Kullanım sırasında aşağıdaki tehlikeler ortaya çıkabilir ve operatör bunlardan kaçınmak için özellikle dikkat etmelidir:

- Geri tepme kaynaklı yaralanma
 - Bu kılavuzdaki bilgileri okuyup anlayın.
- Toz kaynaklı yaralanmalar
 - Gözünüze veya solunum borunuza toz kaçabilir. Her zaman göz koruyucu takın. Kesilmekte olan malzemenin yayılabilecek partiküllere karşı koruma sağlamay uygun filtrelerle donatılmış, uygun toz kontrol maskeleri kullanın. Çalışma alanı içinde bir şey yemeyin, içmeyin veya sigara içmeyin. Yeterli havalandırmayı sağlayın.
- Elektrik çarpması nedeniyle yaralanma riski
 - Bıçak, gizlenmiş kablolarla temas edebilir ve ürün parçalarına elektrik verilmesine neden olabilir. Ürünü her zaman belirtilen sapağınızdan tutun ve kabloların gizlenmiş olabileceği duvarlarda ve zeminlerde kör kesim yaparken dikkatli olun.

NOT: Duvar, tavan veya zemin üzerinde çalışırken elektrik kablolarından ve gaz veya su borularından uzak durmaya dikkat edin.

- Bıçakla temas nedeniyle yaralanma riski
 - Bıçaklar çok keskindir ve kullanım sırasında ısınır. Bıçakları değiştirirken eldiven takın. Ellerinizi her zaman kesme alanından uzak tutun. Sabit bir desteğin üzerine koyunuz. İş parçasını mümkün olduğunda kelepçelerle sabitleyin.
- Titreşim kaynaklı yaralanma
 - Maruziyet seviyesini sınırlandırın. Bkz. "Risk Azaltma".

RİSK AZALTMA

El aletlerinden kaynaklanan titreşimlerin belirli kişilerde Raynaud Sendromu olarak adlandırılan bir durumu etkileyebileceği rapor edilmiştir. Karıncalanma, hissizlik ve parmakların sararması gibi genelde soğuğa maruz kaldıktan sonra görülen semptomlar oluşabilir. Kalıtsal faktörler, soğuğa ve neme maruz kalmak, diyet, sigara ve çalışma pratikleri de bu semptomların oluşmasına neden olabilecek etkenler olarak kabul edilmektedir. Titreşimin etkilerini azaltmak için operatör tarafından alınabilecek önlemler bulunmaktadır:

- Soğuk havalarda vücudunuzu sıcak tutun. Ürünü çalıştırırken ellerinizi ve bileklerinizi sıcak tutmak için eldiven takın. Soğuk havanın Raynaud Sendromunun ana tetikleyicilerinden olduğu bildirilmiştir.
- Her operasyon sürecinden sonra kan dolaşımını arttırmak için egzersiz yapın.
- Sık sık işe ara verin. Günlük maruziyet miktarını

sınırlandırın.

Bu rahatsızlığın semptomlarından herhangi birini görürseniz, aleti kullanmayı derhal bırakın ve bir doktora görünün.

⚠ UYARI

Bir aletin uzun süre kullanılması nedeniyle yaralanmalar olabilir veya mevcut yaraların durumu kötüleşebilir. Herhangi bir aleti uzun bir süre boyunca kullanırken düzenli olarak ara vermeyi ihmal etmeyin.

ÜRÜNÜNÜZÜ TANIYIN

Sayfa 135'ye bakın.

1. Tetik
2. Çalıştırma düğmesinin kilit açma düğmesi
3. Üst bıçak koruyucu
4. Toz girişi uyarlayıcı
5. Alt bıçak koruyucu kolu
6. Bıçak somunu
7. Alt bıçak koruyucu
8. Tutamak, yalıtılmış kavrama yüzeyi
9. Açı ölççeği
10. Açı ölçek kilidi
11. Biçme kılavuzu kilidi
12. Taban
13. Lazer kafası (RCS1600)
14. Bıçak
15. Servis anahtarı
16. Kesme kılavuzu

BAKIM

⚠ UYARI

Parçaları monte ederken, ayar, temizlik, bakım çalışması yaparken veya ürün kullanılmadığı zaman ürünü asla güç kaynağına bağlamayın. Aleti güç kaynağından çıkartmak, ciddi yaralanmalara yol açabilecek kazara çalıştırmayı önler.

⚠ UYARI

Bakım yaparken yalnızca orijinal yedek parçaları, aksesuarları ve parçaları kullanın. Diğer parçaları kullanmak tehlike yaratabilir ya da hasara neden olabilir.

⚠ UYARI

Asla fren hidroliğinin, benzinin, petrol esaslı ürünlerin, yüzeye işleyen yağların vb. plastik parçalarla temas etmesine izin vermeyin. Bu kimyasal ürünler plastik parçaları zara verebilir; kırabilir ya da bozabilir.

- Plastik parçaları temizlerken solventleri kullanmaktan kaçının. Plastiklerin çoğu ticari kullanımlı uçucu maddeler karşı hassastır. Lekeleri, tozu, vb. temizlemek için temiz bir bez kullanınız. Testere bıçağını takmadan veya çıkarmadan önce aletin fişini güç kaynağından çektiğinizden emin olun. Ürünü ve korkuluk sistemini

temiz bezlerle temizleyin.

- Elektrikli aletlerle çalışma veya toz üfleme işlemi esnasında daima yan siperlikleri bulunan koruyucu gözlükler kullanın. İşlem tozlu olacaksa aynı zamanda bir toz maskesi de kullanın.
- Besleme kablosu hasar görmüşse imalatçıdan veya yetkili servisten temin edilecek özel bir kablo ya da tertibatla değiştirilmelidir.
- Güvenliği ve güvenilirliği arttırmak için tüm onarım çalışmaları yetkili bir servis merkezi tarafından gerçekleştirilmelidir.

YAĞLAMA

Üründeki tüm yataklar normal çalışma koşullarında ürünün hizmet ömrü boyunca yeterli miktarda yüksek kalite yağ ile yağlanır. Buna göre, fazladan yağlama yapılmasına gerek yoktur.

ÇEVRENİN KORUNMASI



Ham maddeleri çöp olarak atmak yerine geri dönüştürün. Çevreyi korumak için, alet, aksesuarlar ve ambalajlar tasnif edilmelidir.

ÜRÜN ÜZERİNDEKİ SEMBOLLER



Güvenlik ikazı

V

Volt

Hz

Hertz

~

Alternatif akım

W

Watt

n_o

Bota hız

min⁻¹

Saniyede devir veya hareket sayısı



Sınıf II, çift yalıtımlı



Ahşap



Metal kesmeyin



Koruyucu kulaklık kullanın



Koruyucu gözlük kullanın



Lazer radyasyonu.
Lazer ışınına doğrudan bakmayın.
Sınıf 2 lazer ürünü
λ: 650nm; P≤1mW
EN 60825-1:2014



Tehlike! Keskin bıçak.



Aleti yağmur altında bırakmayın



Kesim genişliği



Bıçak dişleri



CE uygunluğu



EurAsian Uyumluluk işareti



Ukrayna uygunluk işareti



Makineyi çalıştırmadan talimatları dikkatlice okuyun.



Atık elektrikli ürünler evsel atıklarla birlikte atılmamalıdır. Tesis bulunuyorsa lütfen geri dönüşüme verin. Geri dönüşümle ilgili tavsiye için Yerel Makamlarla veya bayi ile irtibat kurun.

KİTAPÇIKTAKİ SEMBOLLER



Güç kaynağına bağlayın.



Güç kaynağından ayırın.



Parçalar ya da aksesuarlar ayrı olarak satılır.



Kilit



Kilidi açma



Not

Aşağıdaki işaret sözcükleri ve anlamları, bu ürünle ilişkili risk seviyelerini açıklamaya yöneliktir:

⚠ TEHLİKE

Önlenmemesi durumunda ölüm veya ciddi yaralanma ile sonuçlanacak, tehdit edici tehlikeli bir durumu gösterir.

⚠ UYARI

Önlenmemesi durumunda ölüm veya ciddi yaralanma ile sonuçlanabilecek potansiyel olarak tehlikeli bir durumu gösterir.

⚠ DİKKAT

Önlenmemesi durumunda önemsiz veya orta derece yaralanma ile sonuçlanabilecek potansiyel olarak tehlikeli bir durumu gösterir.

DİKKAT

(Güvenlik Uyarı Sembolü Yok) Mal hasarına neden olabilecek bir durumu gösterir.

EN

FR

DE

ES

IT

NL

PT

DA

SV

FI

NO

RU

PL

CS

HU

RO

LV

LT

ET

HR

SL

SK

BG

UK

TR

EL



Κατά το σχεδιασμό του δισκοπρίονου δόθηκε ιδιαίτερη προτεραιότητα στην ασφάλεια, την απόδοση και την αξιοπιστία του.

ΠΡΟΟΡΙΖΟΜΕΝΗ ΧΡΗΣΗ

Το δισκοπρίονο προορίζεται αποκλειστικά για χρήση από ενήλικες που έχουν διαβάσει και κατανοήσει τις οδηγίες και τις προειδοποιήσεις του παρόντος εγχειριδίου, ενώ μπορούν να θεωρηθούν υπεύθυνοι για τις πράξεις τους.

Το εργαλείο έχει σχεδιαστεί για εντομή και σταυροειδή κοπή ξύλου βάθους μέχρι 54 χιλιοστά. Το εργαλείο μπορεί να εκτελέσει ίσια και λοξή τομή μεταξύ 0 και 45 μοιρών. Προορίζεται για χρήση με τη βάση του εργαλείου σε επαφή με το αντικείμενο εργασίας. Πρέπει να χρησιμοποιείται μόνο σε στεγνό, καλά φωτισμένο και καλά αεριζόμενο χώρο.

Το προϊόν έχει σχεδιαστεί να χρησιμοποιείται με κράτημα στα χέρια. Το προϊόν δεν πρέπει να στερεώνεται σε επιφάνεια εργασίας εκτός αν παρέχονται ειδικές οδηγίες γι' αυτό από τον κατασκευαστή του πριονιού. Να μην χρησιμοποιείται για κοπή μετάλλου ή τοιχοποιίας.

Μην χρησιμοποιείτε το προϊόν με τρόπο διαφορετικό από αυτόν που αναφέρεται για τη χρήση του. Η χρήση του μηχανοκίνητου εργαλείου για εργασίες διαφορετικές από τις προοριζόμενες μπορεί να προκαλέσει κινδύνους.

⚠ ΠΡΟΕΙΔΟΠΟΙΗΣΗ

Διαβάστε προσεκτικά όλες τις προειδοποιήσεις, οδηγίες και προδιαγραφές που παρέχονται με το εργαλείο και ανατρέξτε στις εικόνες. Η μη τήρηση των ακόλουθων οδηγιών μπορεί να επιφέρει ατυχήματα όπως πτυρκαγιές, ηλεκτροπληξίες ή και σοβαρό σωματικό τραυματισμό.

Φυλάσσετε όλες τις προειδοποιήσεις και οδηγίες για μελλοντική χρήση.

ΠΡΟΕΙΔΟΠΟΙΗΣΕΙΣ ΑΣΦΑΛΕΙΑΣ ΔΙΣΚΟΠΡΙΟΝΟΥ

ΔΙΑΔΙΚΑΣΙΕΣ ΚΟΠΗΣ

⚠ ΚΙΝΔΥΝΟΣ

Κρατάτε τα χέρια σας μακριά από την περιοχή κοπής και την λεπίδα. Το χέρι που δεν κρατά την κύρια λαβή του εργαλείου πρέπει να κρατά τη βοηθητική λαβή ή να είναι ακουμπισμένο επάνω στο κάρτερ του κινητήρα. Έτσι, τα χέρια σας δεν θα κινδυνεύουν να βρεθούν στη ζώνη κοπής, στη διαδρομή του δίσκου.

- Μην απλώνετε τα χέρια σας κάτω από το τεμάχιο εργασίας. Ρυθμίστε το βάθος κοπής ανάλογα με το πάχος του προς επεξεργασία αντικείμενου.
- Τα δόντια του δίσκου δεν πρέπει να περισσεύουν πλήρως κάτω από το προς επεξεργασία αντικείμενο κατά την κοπή. Μη κρατάτε ΠΟΤΕ το προς επεξεργασία αντικείμενο με το χέρι ή ανάμεσα στα πόδια σας.
- Στερεώστε το σε μια σταθερή βάση. Το τεμάχιο

εργασίας πρέπει να είναι στερεωμένο σε μια γερή και σταθερή πλατφόρμα. Κρατάτε το εργαλείο μόνο από τα μονωμένα και αντιολισθητικά τμήματα όταν εργάζεστε σε επιφάνεια η οποία μπορεί να κρύβει ηλεκτρικά καλώδια ή όταν η εργασία που θα πραγματοποιήσετε κινδυνεύει να φέρει το καλώδιο παροχής ρεύματος στην διαδρομή του εργαλείου.

- **Κρατάτε το ηλεκτρικό εργαλείο από τις μονωμένες λαβές όταν εκτελείτε εργασία κατά την οποία το εργαλείο κοπής μπορεί να έρθει σε επαφή με κρυμμένα καλώδια ή με το δικό του καλώδιο.** Η επαφή με ηλεκτροφόρο καλώδιο εκθέτει τα μεταλλικά εξαρτήματα του εργαλείου στο ρεύμα και μπορεί να προκαλέσει ηλεκτροπληξία στον χειριστή.
- **Η ακρίβεια κοπής θα βελτιωθεί και θα αποφεύγεται τον κίνδυνο να διπλώσει ο δίσκος.** Χρησιμοποιείτε πάντα δίσκους μεγέθους και σχήματος που να ταιριάζουν στο διαμέτρημα του άξονα.
- **Οι ακατάλληλοι για τον άξονα στον οποίον θα τοποθετηθούν δίσκοι δεν θα περιστραφούν σωστά και μπορούν να σας κάνουν να χάσετε τον έλεγχο του εργαλείου.** Μη χρησιμοποιείτε ποτέ ελαττωματικές ή ακατάλληλες βίδες ή φλάντζες δίσκου.
- **Οι φλάντζες και οι βίδες δίσκου έχουν σχεδιαστεί ειδικά γι αυτό το μοντέλο πριονιού, για βέλτιστη ασφάλεια και αποτελεσματικότητα.** Συμπληρωματικές συστάσεις ασφαλείας για κάθε τύπο πριονιού

ΑΙΤΙΕΣ ΕΠΙΣΤΡΟΦΗΣ ΚΑΙ ΣΧΕΤΙΚΕΣ ΣΥΣΤΑΣΕΙΣ:

- Το κλώτσημα είναι μια ξαφνική αντίδραση όταν η πριονολάμα είναι μπλοκαρισμένη ή ακινητοποιημένη και προκαλεί ανεξέλεγκτη κίνηση του τεμαχίου εργασίας προς τα πάνω και προς τα έξω με κατεύθυνση προς τον χειριστή.
- όταν η πριονολάμα μπλοκάρει ή ακινητοποιείται πλήρως σε εγκοπή που κλείνει πλήρως, τότε αυτή σταματά και η αντίδραση του μοτέρ οδηγεί τη εργαλείο γρήγορα πίσω προς το χειριστή.
- Αν ο δίσκος στραβώσει ή δεν είναι σωστά ευθυγραμμισμένος, τα δόντια που βρίσκονται στο πίσω μέρος του δίσκου κινδυνεύουν να εισέλθουν στην επιφάνεια του ξύλου, γεγονός που θα κάνει το δίσκο να εξέλθει απότομα από το προς επεξεργασία αντικείμενο προς την κατεύθυνση του χρήστη.

Το κλώτσημα είναι συνεισώς το αποτέλεσμα λανθασμένης χρήσης του εργαλείου ή/και λανθασμένων διαδικασιών ή συνθηκών κοπής.

- **Μπορεί να αποφευχθεί φροντίζοντας να τηρηθούν ορισμένες προφυλάξεις.** Κρατάτε γερά το πριόνι με τα δυο σας χέρια και τοποθετήστε τα μπράτσα σας έτσι ώστε να μπορούν να ελέγξουν το ενδεχόμενο κλώτσημα. Σταθείτε από τη μια πλευρά του πριονιού όταν εργάζεστε, αλλά μη στέκεστε ποτέ στην ευθεία του δίσκου. Το κλώτσημα εκτοξεύει απότομα το πριόνι προς τα πίσω, ωστόσο η κίνηση αυτή μπορεί να ελεγχθεί αν ο χρήστης την περιμένει και είναι προετοιμασμένος.
- **Αν ο δίσκος σφηνώσει ή αν πρέπει να διακόψετε την κοπή για οποιοδήποτε λόγο, απελευθερώστε τη σκανδάλη και κρατήστε το πριόνι μέσα στο**





προς επεξεργασία αντικείμενο έως ότου ο δίσκος σταματήσει εντελώς να περιστρέφεται. Μην προσπαθείτε ποτέ να αφαιρέσετε τον κόπτη από το τεμάχιο ή να τον τραβήξετε προς τα πίσω ενώ η λεπίδα κινείται, διαφορετικά υπάρχει κίνδυνος επιστροφής. Αν ο δίσκος σφηνώσει, αναζητήστε την αιτία και λάβετε τα απαραίτητα μέτρα ώστε να μην επαναληφθεί.

- **Πριν θέσετε πάλι το πριόνι σε λειτουργία για να συνεχίσετε μια κοπή, ευθυγραμμίστε σωστά το δίσκο με την εγκοπή του πριονιού και βεβαιωθείτε πως τα δόντια δεν αγγίζουν το προς επεξεργασία αντικείμενο.** Αν η πριονόλαμα φρακάρει, μπορεί να προχωρήσει ή να πεταχτεί από το τεμάχιο εργασίας μόλις ξαναεκκινήσει το πριόνι.
- **Φροντίστε να υποστηρίξετε τα μακριά προς επεξεργασία αντικείμενα ώστε να αποφύγετε το σφίνωμα του δίσκου και να περιορίσετε έτσι τον κίνδυνο κλοστήματος.** Τα μακριά προς επεξεργασία αντικείμενα έχουν την τάση να λυγίζουν λόγω ίδιου τους του βάρους. Μπορείτε να τοποθετήσετε υποστηρίγματα και από τις δύο πλευρές στο προς επεξεργασία αντικείμενο, κοντά στη γραμμή κοπής και στο επίπεδο της άκρης του αντικειμένου.
- **Μη χρησιμοποιείτε αμβλυμένους ή φθαρμένους δίσκους.** Οι μη ακονισμένοι ή λάθος τοποθετημένοι δίσκοι θα δημιουργήσουν μια εγκοπή πριονιού επιφέροντας υπερβολική τριβή του δίσκου και συνεπώς μεγαλύτερο κίνδυνο στρέβλωσης και κλοστήματος.
- **Πριν αρχίσετε μια κοπή, ελέγξτε πως οι διακόπτες ρύθμισης του βάθους και της κλήσης είναι σωστά ακινητοποιημένοι.** Αν οι ρυθμίσεις της θέσης του δίσκου τροποποιηθούν κατά τη διάρκεια της κοπής, ο δίσκος κινδυνεύει να σφηνώσει και μπορεί να προκληθεί κλότσημα.
- **Προσέχετε ιδιαίτερα όταν κόβετε σε υπάρχοντες τοίχους ή άλλες τυφλές περιοχές.** Ο δίσκος θα μπορούσε να βρει σε κρυμμένα στοιχεία, γεγονός που θα προκαλούσε κλότσημα.

ΛΕΙΤΟΥΡΓΙΑ ΚΑΤΩ ΠΡΟΣΤΑΤΕΥΤΙΚΟΥ

- **Πριν από κάθε χρήση, ελέγχετε πως το κάτω προστατευτικό λάμας καλύπτει σωστά το δίσκο.** Μη χρησιμοποιείτε το πριόνι σας αν το κάτω προστατευτικό λάμας δεν μπορεί να κινηθεί ελεύθερα και αν δεν τοποθετείται αμέσως επάνω στο δίσκο. Μην στερεώνετε και μη ασφαλίσετε ποτέ το κάτω προστατευτικό λάμας στην ανοικτή θέση. Αν το πριόνι πέσει κατά λάθος, το κάτω προστατευτικό λάμας μπορεί να αναδιπλωθεί. Ανασκήστε το κάτω προστατευτικό λάμας με τη βοήθεια του μοχλού και βεβαιωθείτε πως μπορεί να μετακινηθεί χωρίς δυσκολία και πως δεν αγγίζει ούτε το δίσκο ούτε κανένα άλλο τμήμα όποια γωνία και βάθος κοπής και αν έχει επιλεγεί.
- **Βεβαιωθείτε πως το ελατήριο του κάτω προστατευτικού λάμας είναι σε καλή κατάσταση και λειτουργεί σωστά.** Αν το προστατευτικό λάμας ή το ελατήριο δεν λειτουργούν σωστά, ζητήστε την επιδιόρθωσή τους ή την αντικατάστασή τους πριν χρησιμοποιήσετε το πριόνι σας. Το κάτω

προστατευτικό μπορεί να λειτουργεί ελαττωματικά εξαιτίας κατεστραμμένων εξαρτημάτων, αποθέσεων ή συσσώρευσης υπολειμμάτων.

- **Το κάτω προστατευτικό μπορεί να τραβηχτεί μη αυτόματα μόνο για ειδικές κοπές όπως «βαθιές κοπές» και «σύνθετες κοπές».** Σηκώστε το κάτω προστατευτικό λάμας με το μοχλίσκο. Στη συνέχεια, μόλις ο δίσκος εισέλθει στο προς επεξεργασία αντικείμενο, απελευθερώστε το κάτω προστατευτικό λάμας. Για δίσκους τύπου κοπής, το κάτω προστατευτικό λάμας τοποθετείται αυτόματα στη θέση του.
- **Ελέγχετε πάντα πως το κάτω προστατευτικό λάμας καλύπτει όντως το δίσκο πριν ακουμπήσετε το πριόνι σας σε πάγκο ή στο πάτωμα.** Αν ο δίσκος δεν καλύπτεται σωστά, μπορεί να περιστραφεί με τη δύναμη της αδράνειας και να κόψει κάτι που θα βρίσκεται στην πορεία του. Να έχετε γνώση του γεγονότος ότι ο δίσκος εξακολουθεί να περιστρέφεται για κάποιο διάστημα μετά τη διακοπή του κινητήρα.

ΟΔΗΓΙΕΣ ΑΣΦΑΛΕΙΑΣ ΓΙΑ ΤΗ ΛΑΜΑ ΚΟΠΗΣ ΞΥΛΟΥ

- Παρακαλούμε, διαβάστε προσεκτικά το εγχειρίδιο και τις οδηγίες, προτού χρησιμοποιήσετε τη λάμα και το ηλεκτρικό εργαλείο.
- Το ηλεκτρικό εργαλείο θα πρέπει να βρίσκεται σε καλή κατάσταση, ενώ ο άξονας δεν θα πρέπει να είναι παραμορφωμένος ή να δονείται.
- Μη χρησιμοποιείτε το πριόνι, εφόσον δεν είναι εγκατεστημένες οι διατάξεις ασφαλείας. Διατηρείτε τα προστατευτικά σε καλή κατάσταση και συντηρείτε τα.
- Βεβαιωθείτε ότι ο χρήστης είναι επαρκώς εκπαιδευμένος, όσον αφορά στις προφυλάξεις ασφαλείας, στη ρύθμιση και στη λειτουργία του ηλεκτρικού εργαλείου.
- Φοράτε πάντοτε γυαλιά ασφαλείας και ωτοπροστασία, κατά τη χρήση του ηλεκτρικού εργαλείου. Συνιστάται η χρήση γαντιών και γερών, αντιολισθητικών υποδημάτων.
- Πριν χρησιμοποιήσετε οποιοδήποτε εξάρτημα, συμβουλευτείτε το εγχειρίδιο χρήσης. Η μη ενδεδειγμένη χρήση ενός εξαρτήματος μπορεί να προκαλέσει υλική ζημία και να αυξήσει την πιθανότητα τραυματισμού.
- Χρησιμοποιείτε μόνο λεπίδες που ορίζονται στο παρόν εγχειρίδιο, σύμφωνες με το EN 847-1.
- Τηρείτε τη μέγιστη ταχύτητα που ενδείκνυται στην λεπίδα κόπτη. Βεβαιωθείτε ότι η ταχύτητα που αναγράφεται στην λεπίδα κόπτη είναι τουλάχιστον ίση με την ταχύτητα που αναγράφεται στον κόπτη.
- Οι ακατάλληλοι για τον άξονα στον οποίον θα τοποθετηθούν δίσκοι δεν θα περιστραφούν σωστά και μπορούν να σας κάνουν να χάσετε τον έλεγχο του εργαλείου. Μη χρησιμοποιείτε ποτέ ελαττωματικές ή ακατάλληλες βίδες ή φλάντζες δίσκου.
- Μη χρησιμοποιείτε λεπίδες μεγαλύτερης ή μικρότερης διαμέτρου από το προτεινόμενο. Μη χρησιμοποιείτε σφήνες για να κάνετε τη λεπίδα να εφαρμόσει στην άτρακτο.
- Ελέγχετε τις ακμές της λάμας για ενδεχόμενη ζημία ή ασυνήθη όψη, πριν από κάθε χρήση. Οι ακμές που φέρουν φθορά ή δεν είναι σωστά σταθεροποιημένες





ενδέχεται να εκσφενδονιστούν, αυξάνοντας την πιθανότητα τραυματισμού.

- Τεμάχια κατεργασίας μεγάλου μήκους πρέπει να στηρίζονται κατάλληλα. Μην χρησιμοποιείτε ελαττωματικές ή στρεβλωμένες πριονολάμες.
- Απορρίψτε τη λάμα σε περίπτωση φθοράς, παραμόρφωσης, στρέβλωσης ή ραγίσματος - η επισκευή της απαγορεύεται.
- Μην χρησιμοποιείτε λεπίδες HSS.
- Βεβαιωθείτε ότι η λεπίδα του κόπτη είναι σωστά τοποθετημένη πριν τη χρήση. Συσφίξτε καλά το μπουλόνι της λάμας, πριν από τη χρήση (ροπή συσφίξης περίπου 10-15 Nm).
- Η βίδα και τα παξιμάδια σύσφιξης θα πρέπει να συσφιχθούν με τη βοήθεια του κατάλληλου κλειδιού.
- Απαγορεύεται η προέκταση του κλειδιού ή η εφαρμογή σφυροκοπημάτων.
- Βεβαιωθείτε ότι όλες οι λεπίδες και οι φλάντζες είναι καθαρές και ότι οι πλευρές του περιαιχθένιου με εσοχές είναι κόντρα στην λεπίδα.
- Βεβαιωθείτε ότι η λεπίδα περιστρέφεται προς τη σωστή κατεύθυνση.
- Πριν ξεκινήσετε, κάντε μια πρόχειρη κοπή χωρίς να είναι ενεργοποιημένος ο κινητήρας, ώστε να ελέγξετε τη θέση της λεπίδας, τη λειτουργία των προστατευτικών σε σχέση με τα άλλα εξαρτήματα του μηχανήματος και το τεμάχιο εργασίας.
- Μην αφήνετε ποτέ το εργαλείο να λειτουργεί χωρίς την επίβλεψή σας.
- Μην τοποθετείτε λιπαντικά στην λεπίδα όσο λειτουργεί.
- Μην εκτελείτε ποτέ εργασίες καθαρισμού ή συντήρησης όταν το μηχάνημα λειτουργεί ακόμα και η κεφαλή δεν βρίσκεται στην θέση αναμονής.
- Μην επιχειρήσετε ποτέ να ακινοτοποιήσετε απότομα το ηλεκτρικό εργαλείο, σφηνώνοντας κάποιο εργαλείο ή άλλο μέσο στη λάμα. Ενέχει κίνδυνος πρόκλησης σοβαρών ατυχημάτων.
- Αποσυνδέετε το πριόνι από την παροχή ρεύματος ή την μπαταρία, πριν από την αλλαγή λάμας, τη μεταφορά ή τη συντήρηση.
- Προσέχετε τη λάμα κατά τη συσκευασία και την αποσυσκευασία. Ενέχει κίνδυνος τραυματισμού από τις αιχμηρές ακμές της λάμας.
- Χρησιμοποιήστε μια συσκευή συγκράτησης ή φοράτε γάντια όταν χειρίζεστε τη λεπίδα του κόπτη.
- Φυλάσσετε και αποθηκεύετε τη λάμα στην αρχική συσκευασία ή άλλη κατάλληλη συσκευασία. Διατηρήστε σε χώρο χωρίς υγρασία και μακριά από χημικά τα οποία μπορεί να προκαλέσουν φθορά στη λεπίδα.

ΠΡΟΕΙΔΟΠΟΙΗΣΗ

- Φοράτε προστατευτικά ματιών και αυτιών.
- Αποφύγετε την υπερθέρμανση των άκρων των λεπίδων. Μην χρησιμοποιείτε αμβλυμένους ή φθαρμένους δίσκους. Μην πιέζετε υπερβολικά το εργαλείο.
- Χρησιμοποιείτε μόνο τις προτεινόμενες λεπίδες κόπτη.

ΕΠΙΠΡΟΣΘΕΤΕΣ ΠΡΟΕΙΔΟΠΟΙΗΣΕΙΣ ΑΣΦΑΛΕΙΑΣ

- Μην χρησιμοποιείτε ποτέ λειαντικό δίσκο.
- Χρησιμοποιείτε μόνο πριονολάμες με διάμετρο που συμφωνεί με τις σημάσεις.
- Εντοπίστε τη σωστή πριονολάμα για το υλικό που πρέπει να κοπεί.
- Χρησιμοποιείτε πριονολάμες με ένδειξη ταχύτητας ίσης ή μεγαλύτερης από αυτή που αναγράφεται στο εργαλείο.
- Χρησιμοποιείτε μόνο πριονολάμες που συνιστώνται από τον κατασκευαστή και οι οποίες συμμορφώνονται με το πρότυπο EN 847-1, εφόσον προορίζονται για κοπή ξύλου και ανάλογων υλικών.
- Φοράτε μάσκα προστασίας από πριονίδια/σωματίδια.
- Μόνο για RCS1400: Τα υπερρεύματα προκαλούν διακυμάνσεις στην τάση και μπορεί να επηρεάζουν άλλα ηλεκτρικά προϊόντα στην ίδια γραμμή. Συνδέστε το προϊόν σε παροχή ρεύματος με σύνθετη αντίσταση $Z_{max}=0.459 \Omega$ για να ελαχιστοποιηθούν οι διακυμάνσεις τάσης.

ΑΣΦΑΛΕΙΑ ΚΑΙ ΣΥΣΚΕΥΕΣ ΜΕ ΛΕΙΖΕΡ (RCS1600)



- Η ακτινοβολία του οδηγού λέιζερ που χρησιμοποιείται στον κόπτη είναι Κατηγορίας 2 με μέγιστα μήκη κύματος $\leq 1mW$ και $650nm$. Μην κοιτάζετε απευθείας στην ακτίνα λέιζερ. Η μη τήρηση των κανόνων μπορεί να προκαλέσει σοβαρό τραυματισμό.



- Παρέχεται αυτοκόλλητη ετικέτα στη γλώσσα σας. Παρακαλούμε κολλήστε την στη θέση του αγγλικού κειμένου στην προειδοποιητική ετικέτα πριν χρησιμοποιήσετε για πρώτη φορά το μηχάνημα.
- Μην κοιτάζετε στην ακτίνα κατά τη λειτουργία.
- Μην προβάλλετε την ακτίνα λέιζερ απευθείας στα μάτια των άλλων. Υπάρχει κίνδυνος σοβαρού οφθαλμολογικού τραυματισμού.
- Μην τοποθετείτε το λέιζερ σε θέση που μπορεί να προκαλέσει την άμεση οπτική επαφή με αυτό, σκόπιμα ή όχι.
- Μην χρησιμοποιείτε οπτικά εργαλεία για να δείτε την ακτίνα λέιζερ.
- Μην χρησιμοποιείτε το λέιζερ κοντά σε παιδιά και μην αφήνετε παιδιά να το χρησιμοποιούν.
- Μην προσπαθήσετε να επισκευάσετε τη συσκευή λέιζερ μόνοι σας.
- Μην προσπαθήσετε να αντικαταστήσετε οποιοδήποτε εξάρτημα της συσκευής λέιζερ μόνοι σας.
- Οι επισκευές θα πρέπει να εκτελούνται μόνο από τον κατασκευαστή του λέιζερ ή εξουσιοδοτημένο αντιπρόσωπο.
- Μην αντικαθιστάτε το λέιζερ με άλλο διαφορετικού τύπου.



ΆΛΛΟΙ ΚΙΝΔΥΝΟΙ

Ακόμη και όταν το προϊόν χρησιμοποιείται σύμφωνα με τις οδηγίες, δεν είναι δυνατή η απόλυτη απαλειφή συγκεκριμένων παραγόντων κινδύνου. Κατά τη χρήση μπορεί να προκύψουν οι ακόλουθοι κίνδυνοι και ο χειριστής πρέπει να δίδει ιδιαίτερη προσοχή προς αποφυγή των εξής:

- Τραυματισμοί από την επιστροφή
 - Διαβάστε και κατανοήστε τις πληροφορίες του παρόντος εγχειριδίου.
 - Τραυματισμός που προκαλείται από τη σκόνη
 - Υπάρχει κίνδυνος εισόδου σκόνης στα μάτια ή το αναπνευστικό σύστημα. Να φοράτε συνέχεια, προστατευτικά γυαλιά. Φοράτε κατάλληλη μάσκα ελέγχου σκόνης με φίλτρα κατάλληλα για προστασία από σωματίδια από το υλικό που κόβεται. Μην τρώτε, πίνετε ή καπνίζετε στον χώρο εργασίας. Βεβαιωθείτε ότι υπάρχει κατάλληλος εξαερισμός.
 - Τραυματισμοί που προκαλούνται από ηλεκτροπληξία
 - Η λεπίδα μπορεί να έρθει σε επαφή με κρυφές καλωδιώσεις, προκαλώντας ηλεκτροδότηση σε τμήματα του προϊόντος. Κρατάτε πάντα το προϊόν από τις ειδικές λαβές και προσέχετε όταν κάνετε κοπές χωρίς ορατότητα σε τοίχους και πατώματα όπου μπορεί να υπάρχουν καλώδια στο εσωτερικό.
- ΣΗΜΕΙΩΣΗ** Όταν εργάζεστε σε τοίχους, οροφές ή δάπεδα, φροντίστε να αποφεύγετε ηλεκτρικά καλώδια και σωλήνες αερίου ή νερού.
- Τραυματισμοί από επαφή με τη λεπίδα
 - Οι λεπίδες είναι πολύ αιχμηρές και θερμαίνονται κατά τη χρήση. Φοράτε γάντια όταν αλλάζετε λεπίδες. Διατηρείτε συνεχώς τα χέρια σας μακριά από την περιοχή κοπής. Στερεώστε το σε μια σταθερή βάση. Πιάνετε με σφιγκτήρα το τεμάχιο εργασίας όπου αυτό είναι δυνατό.
 - Τραυματισμοί από τον κραδασμό
 - Περιορίστε την έκθεση. Βλ. "Μειωση Κινδύνου".

ΜΕΙΩΣΗ ΚΙΝΔΥΝΟΥ

Έχει αναφερθεί ότι οι κραδασμοί των χειροκίνητων εργαλείων μπορεί να συμβάλλει σε μια πάθηση γνωστή ως Σύνδρομο Raynaud σε ορισμένα άτομα. Τα συμπτώματα περιλαμβάνουν κνησμό, μούδιασμα και λευκότητα των δακτύλων, που εμφανίζονται συνήθως μετά την έκθεση σε κρύο. Κληρονομικοί παράγοντες, έκθεση σε κρύο και υγρασία, κάπνισμα και πρακτικές εργασίας θεωρείται ότι συμβάλλουν στην εκδήλωση των συμπτωμάτων. Υπάρχουν μέτρα που μπορούν να ληφθούν από τον χειριστή για να μειωθούν πιθανώς οι επιδράσεις των κραδασμών:

- Διατηρείτε το σώμα σας ζεστό όταν ο καιρός είναι ψυχρός. Φοράτε γάντια κατά τον χειρισμό του μηχανήματος, για να διατηρείτε ζεστά τα χέρια και τους καρπούς σας. Ο ψυχρός καιρός είναι κύριος παράγοντας που συμβάλλει στην εκδήλωση του συνδρόμου Raynaud.
- Μετά από κάθε περίοδο λειτουργίας, κάνετε ασκήσεις για να αυξάνετε την κυκλοφορία αίματος.
- Κάνετε τακτικά διαλείμματα κατά την εργασία. Περιορίζετε το σύνολο έκθεσης ανά ημέρα.

Αν παρουσιάσετε οποιοδήποτε σύμπτωμα αυτής της πάθησης, διακόψτε αμέσως τη χρήση και συμβουλευτείτε τον γιατρό σας για τα συμπτώματα.

ΠΡΟΕΙΔΟΠΟΙΗΣΗ

Υπάρχει κίνδυνος πρόκλησης ή επιδείνωσης τραυματισμού, από την παρατεταμένη χρήση εργαλείου. Όταν χρησιμοποιείτε το εργαλείο για μεγάλες περιόδους, κάνετε τακτικά διαλείμματα.

ΓΝΩΡΙΣΤΕ ΤΟ ΠΡΟΪΟΝ ΣΑΣ

Βλέπε σελίδα 135.

1. Διακόπτης
2. Κομπι απασφάλισης της σκανδάλης
3. Άνω προστατευτικό λάμας
4. Προσαρμογέας θύρας σκόνης
5. Μοχλός του κάτω προστατευτικού λάμας
6. Μπουλόνι λάμας
7. Κάτω προστατευτικό λάμας
8. Λαβή, μονωμένη επιφάνεια λαβής
9. Κλίμακα γωνίας
10. Ασφάλεια κλίμακας γωνίας
11. Ασφάλεια οδηγού τεμαχισμού
12. Πέλμα
13. Κεφαλή λείζερ (RCS1600)
14. Λάμα
15. Κλειδί
16. Οδηγός απόσχισης

ΣΥΝΤΗΡΗΣΗ

ΠΡΟΕΙΔΟΠΟΙΗΣΗ

Το προϊόν δεν πρέπει ποτέ να συνδέεται σε παροχή ισχύος όταν συναρμολογείτε εξαρτήματα, όταν διεξάγετε ρυθμίσεις, καθαρισμό, συντήρηση ή όταν το προϊόν δε χρησιμοποιείται. Αποσυνδέοντας τη συσκευή από την παροχή ρεύματος προλαμβάνει την ακούσια ενεργοποίηση της η οποία μπορεί να επιφέρει σοβαρό τραυματισμό.

ΠΡΟΕΙΔΟΠΟΙΗΣΗ

Χρησιμοποιείτε μόνο αυθεντικά ανταλλακτικά, εξαρτήματα και προσαρτήματα στις εργασίες επισκευής. Η χρήση οποιουδήποτε άλλου ανταλλακτικού μπορεί να παρουσιάσει κίνδυνο ή να προκαλέσει ζημιά στο εργαλείο σας.

ΠΡΟΕΙΔΟΠΟΙΗΣΗ

Σε καμία περίπτωση μην επιτρέπτε τα υγρά φρένων, η βενζίνη, προϊόντα με βάση το πετρέλαιο, έλαια που διεισδύουν κλπ. να έρχονται σε επαφή με πλαστικά τμήματα. Αυτά τα χημικά προϊόντα περιέχουν ουσίες οι οποίες μπορούν να προξενήσουν ζημιά, να μειώσουν ή να καταστρέψουν το πλαστικό.

- Αποφύγετε τη χρήση διαλυτών κατά τον καθαρισμό

πλαστικών εξαρτημάτων. Τα περισσότερα πλαστικά μπορούν να υποστούν ζημιά από τη χρήση ορισμένων διαλυτών που διατίθενται στο εμπόριο. Χρησιμοποιήστε ένα καθαρό πανάκι για να καθαρίσετε τις ακαθαρσίες, τη σκόνη, κλπ.

- Αποσυνδέετε το εργαλείο από το ρεύμα πριν τοποθετήσετε ή αφαιρέσετε την λεπίδα κόπτη. Καθαρίζετε το προϊόν και το σύστημα προστασίας με καθαρά πανιά.
- Φοράτε πάντα προστατευτικά γυαλιά ή γυαλιά ασφαλείας με πλαϊνές ασπίδες κατά τον χειρισμό μηχανοκίνητων εργαλείων ή σε εργασίες με σκόνη. Αν η εργασία προκαλεί σκόνη, φοράτε και ειδική μάσκα.
- Αν το καλώδιο ρεύματος έχει φθαρεί, πρέπει να αντικατασταθεί με ειδικό καλώδιο ή διάταξη που παρέχονται από τον κατασκευαστή ή τον τεχνικό σέρβις.
- Εάν το καλώδιο τροφοδοσίας είναι κατεστραμμένο, πρέπει να αντικατασταθεί ολόκληρο το εργαλείο.

ΛΙΠΑΝΣΗ

Όλα τα έδρανα στο προϊόν έχουν λιπανθεί με επαρκή ποσότητα λιπαντικού υψηλής ποιότητας για όλη τη διάρκεια ζωής του προϊόντος, υπό φυσιολογικές συνθήκες λειτουργίας. Συνεπώς, δε χρειάζεται καμία επιπλέον λιπανση.

ΠΡΟΣΤΑΣΙΑ ΤΟΥ ΠΕΡΙΒΑΛΛΟΝΤΟΣ



Ανακυκλώνετε τις πρώτες ύλες αντί να τις πετάτε ως απορρίμματα. Για την προστασία του περιβάλλοντος, πρέπει να γίνεται η διαλογή του εργαλείου, των εξαρτημάτων και των συσκευασιών του.

ΣΥΜΒΟΛΑ ΣΤΟ ΠΡΟΪΟΝ



Προειδοποίηση ασφαλείας

V

Βλτ

Hz

ερτς

~

Εναλλασσμεν ρεύμα

W

Bat

n₀

Ταύτητα στ κεν

min⁻¹

Αριθμος στρών ή κινήσεων ανά λεπτ



Κατηγορία II, διπλή μόνωση



Ξύλο



Μην κόβετε μέταλλα



Φοράτε προστατευτικά αυτιών



Φοράτε προστατευτικά ματιών



Ακτινοβολία λέιζερ.
Μην κοιτάζετε απευθείας στην ακτίνα.
Προϊόν λέιζερ κλάσης 2
λ: 650nm; P≤1mW
EN 60825-1:2014



Κινδυνος! Αιχμηρή λεπίδα.



Να μην εκτίθεται σε βροχή



Πλάτος κοπής



Δόντια λεπίδας



Συμμόρφωση CE



EurAsian σήμα πιστότητας



Ουκρανικό σήμα συμμόρφωσης



Παρακαλούμε διαβάστε τις οδηγίες προσεκτικά πριν ξεκινήσετε το μηχάνημα.



Τα ηλεκτρικά προϊόντα προς απόρριψη δεν θα πρέπει να απορρίπτονται μαζί με τα οικιακά απόβλητα. Παρακαλούμε ανακυκλώστε όπου υπάρχουν οι αντίστοιχες εγκαταστάσεις. Μιλήστε με τις τοπικές αρχές ή τον πωλητή για να σας ενημερώσουν σχετικά με τα προγράμματα ανακύκλωσης.

ΣΥΜΒΟΛΑ ΣΤΟ ΕΓΧΕΙΡΙΔΙΟ



Συνδέστε στην παροχή ηλεκτρικού ρεύματος.



Αποσυνδέστε από την παροχή ρεύματος.



Ανταλλακτικά και εξαρτήματα πωλούνται χωριστά



Κλειδωμα



Ξεκλειδωμα



Σημείωση

Οι ακόλουθες προειδοποιητικές λέξεις και έννοιες προορίζονται να εξηγήσουν τα επίπεδα κινδύνου που συνδέονται με αυτό το προϊόν:

ΚΙΝΔΥΝΟΣ

Υποδεικνύει μια επικείμενη επικίνδυνη κατάσταση, η οποία, αν δεν αποφευχθεί, θα οδηγήσει σε θάνατο ή σοβαρό τραυματισμό.

ΠΡΟΕΙΔΟΠΟΙΗΣΗ

Υποδεικνύει μια δυνητικά επικίνδυνη κατάσταση, η οποία, αν δεν αποφευχθεί, θα οδηγήσει σε θάνατο ή σοβαρό τραυματισμό.

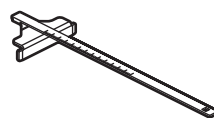
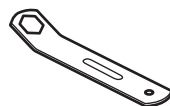
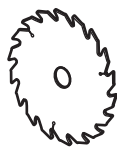
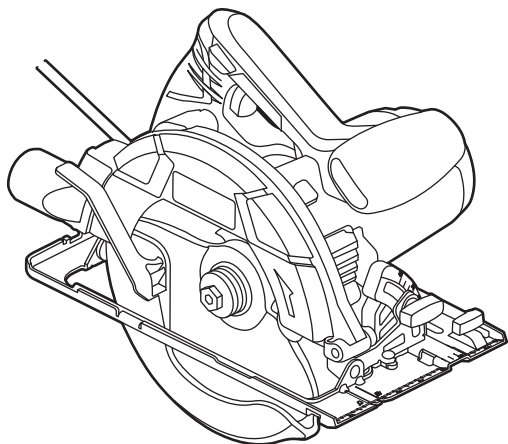
ΠΡΟΣΟΧΗ

Υποδεικνύει μια δυνητικά επικίνδυνη κατάσταση, η οποία, αν δεν αποφευχθεί, ενδέχεται να οδηγήσει σε ελαφρύ ή μέτριο τραυματισμό.

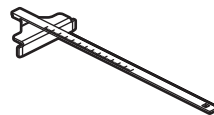
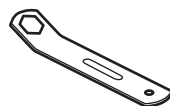
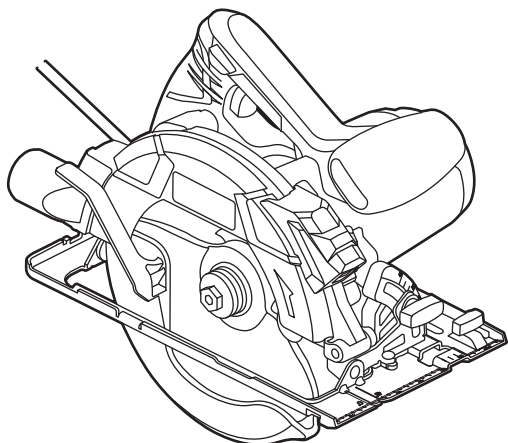
ΠΡΟΣΟΧΗ

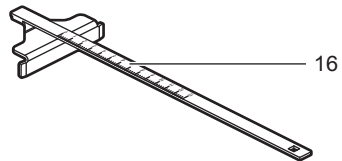
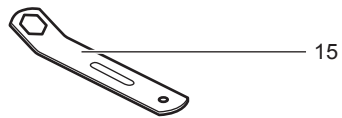
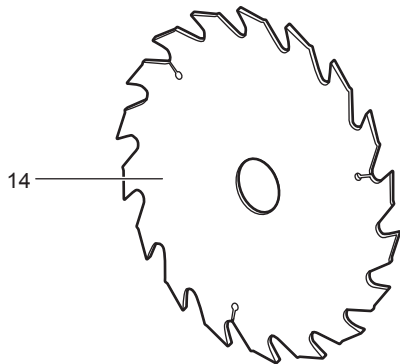
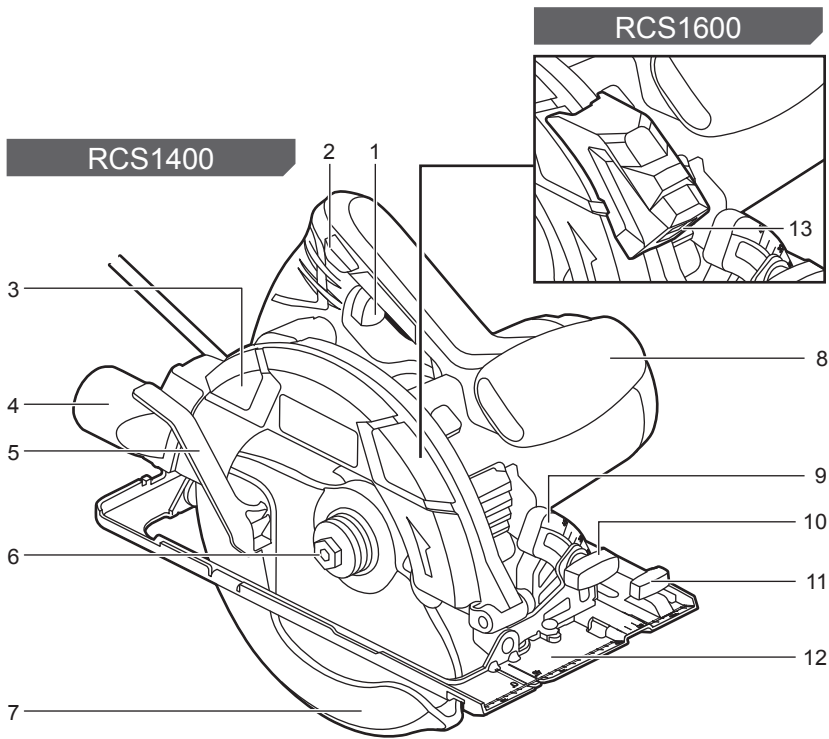
(Χωρίς σύμβολο προειδοποίησης ασφαλείας) Υποδεικνύει μια κατάσταση που μπορεί να οδηγήσει σε υλικές ζημιές.

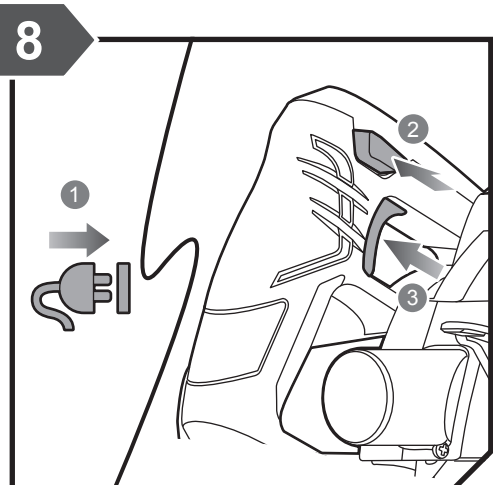
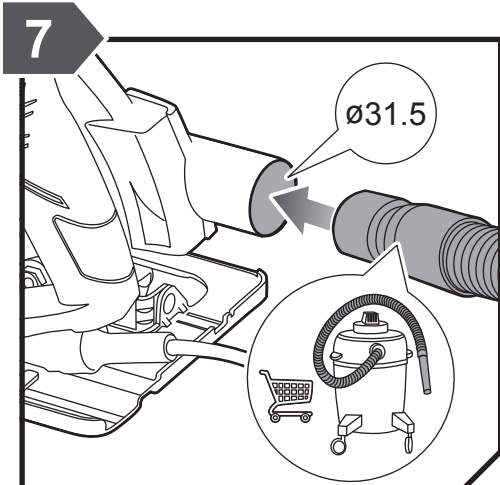
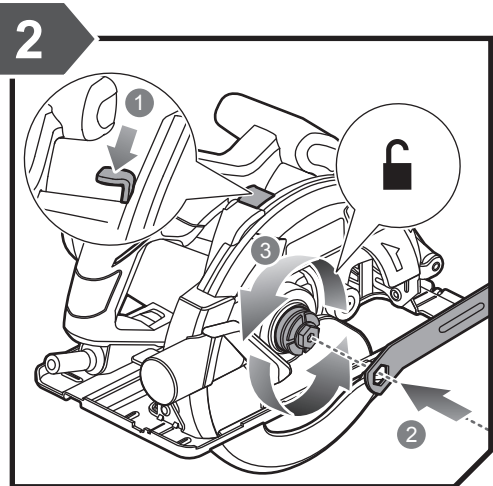
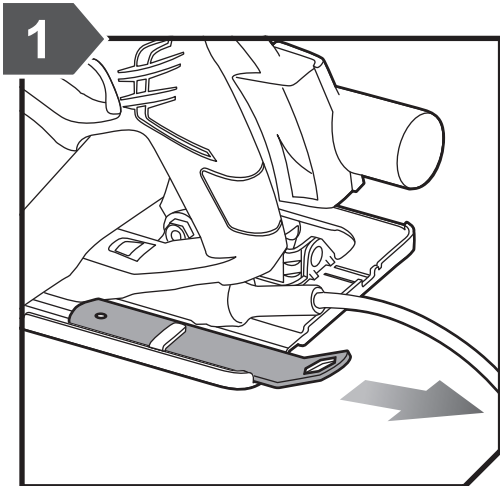
RCS1400

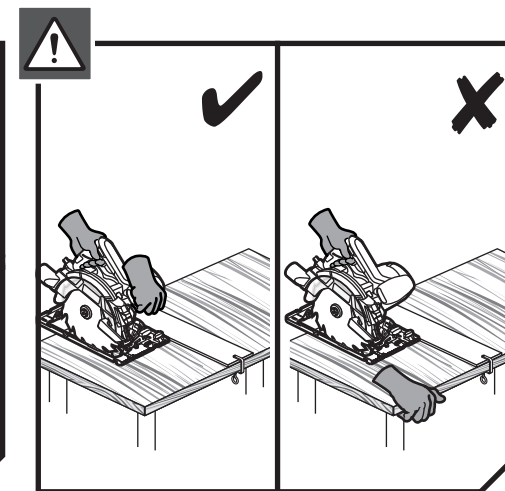
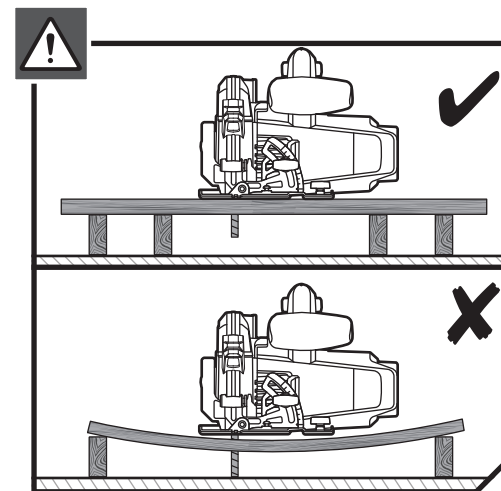
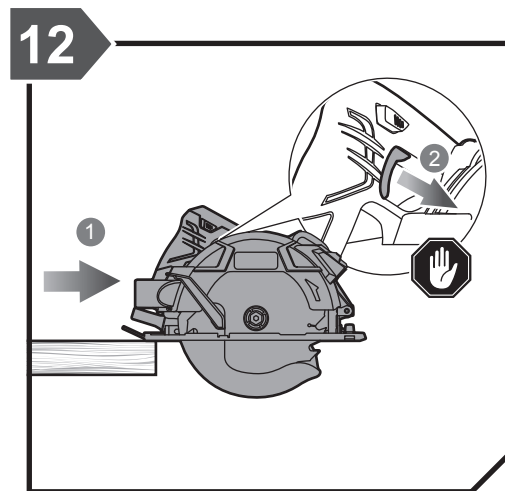
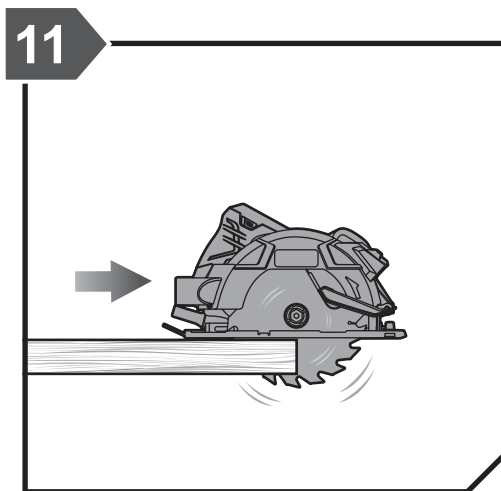
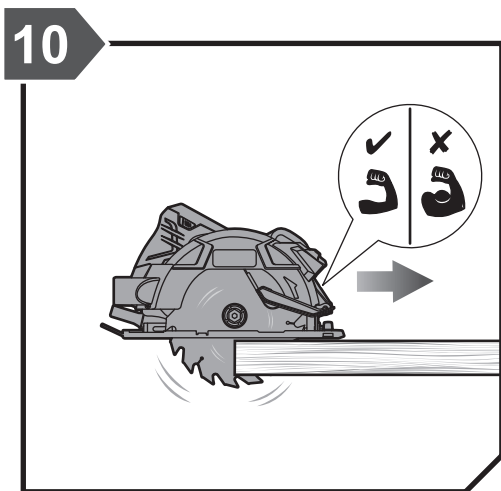
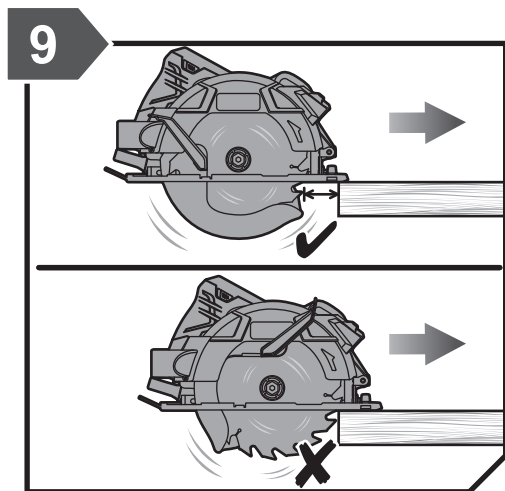
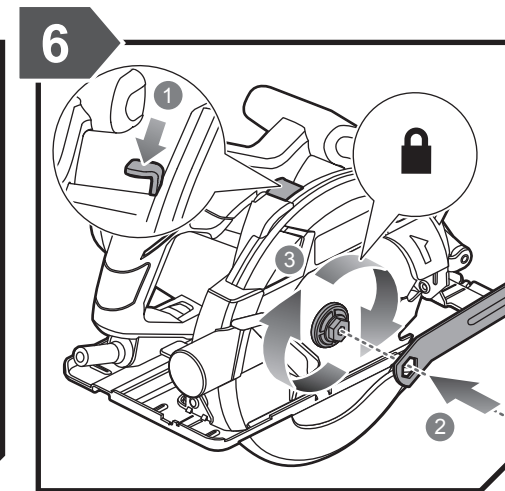
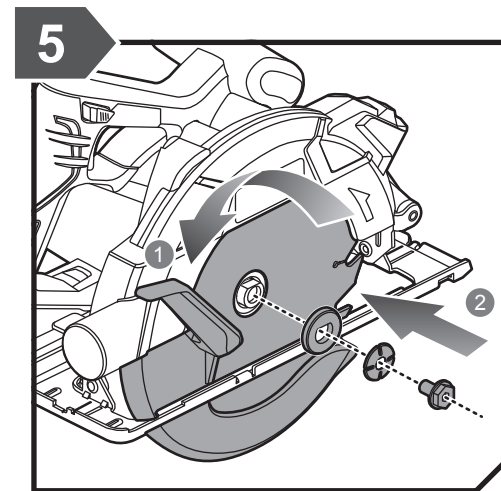
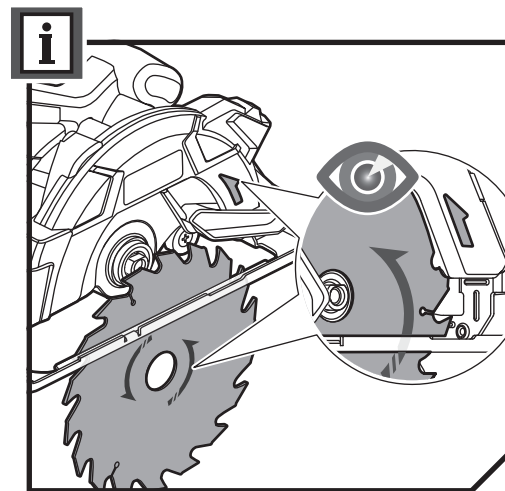
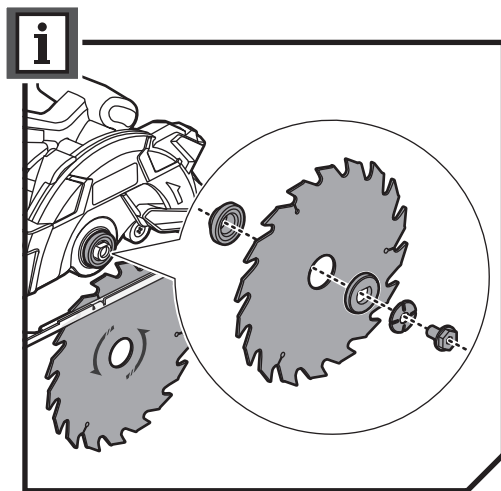
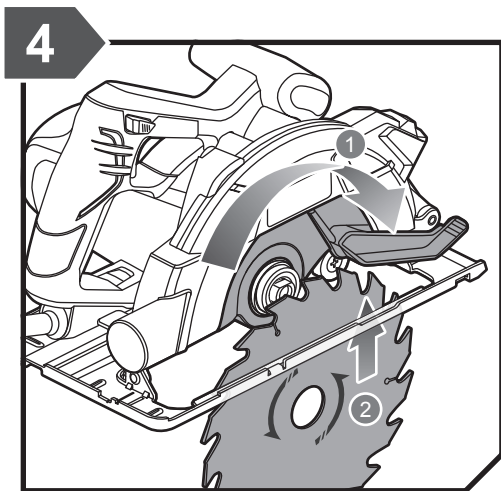
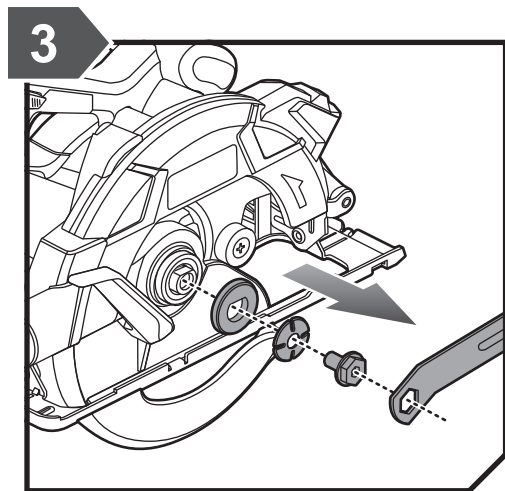


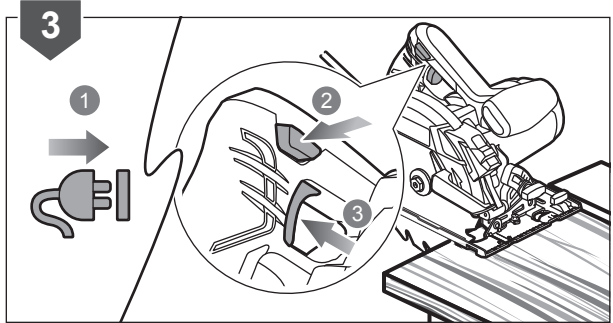
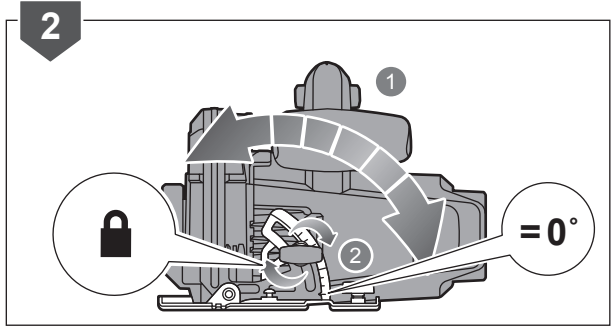
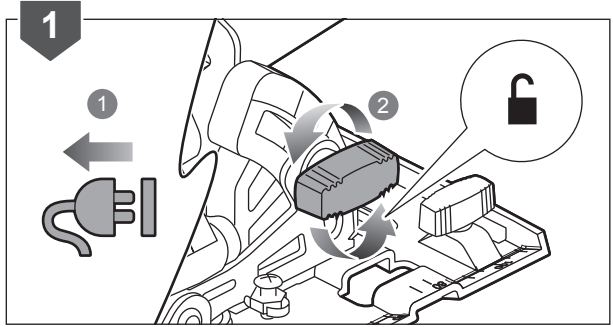
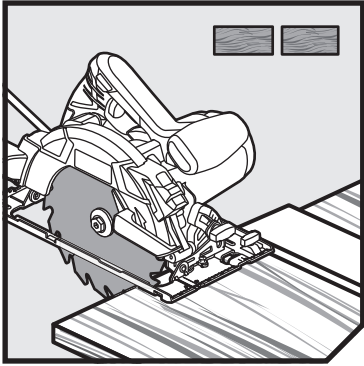
RCS1600

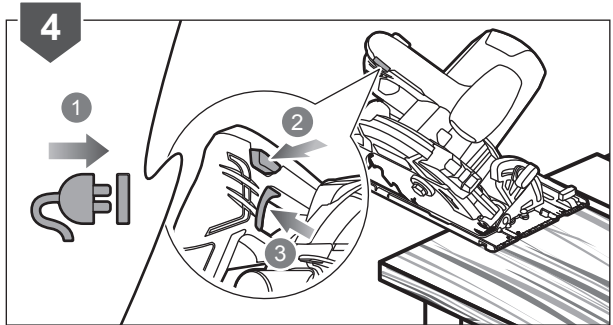
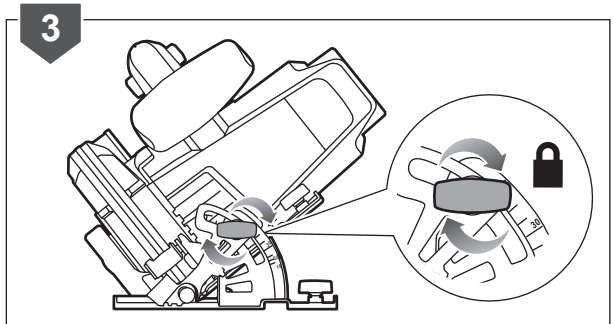
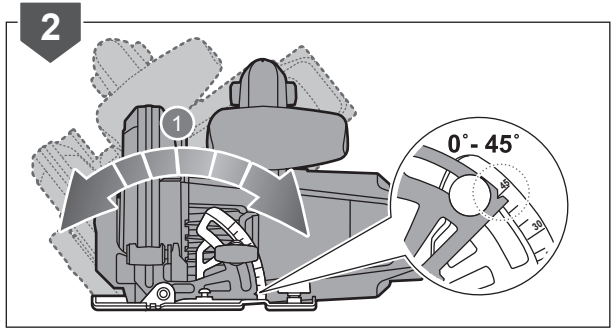
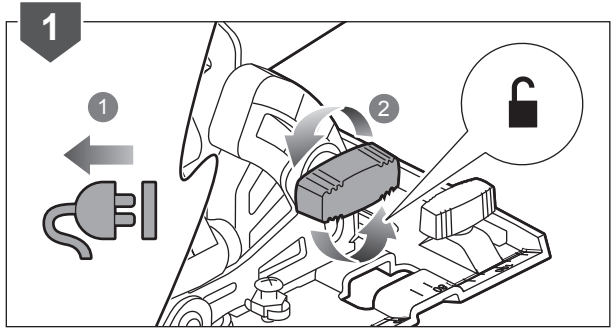
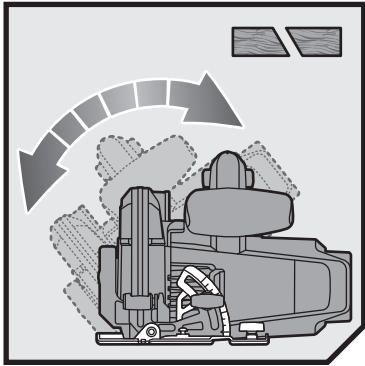


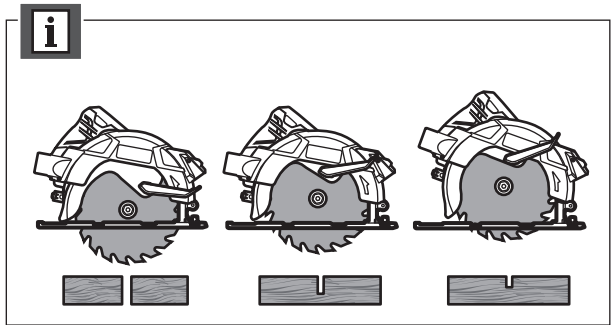
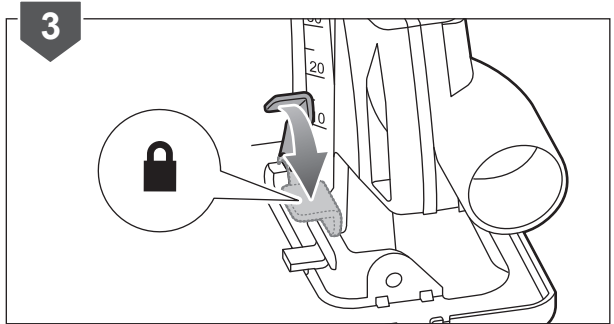
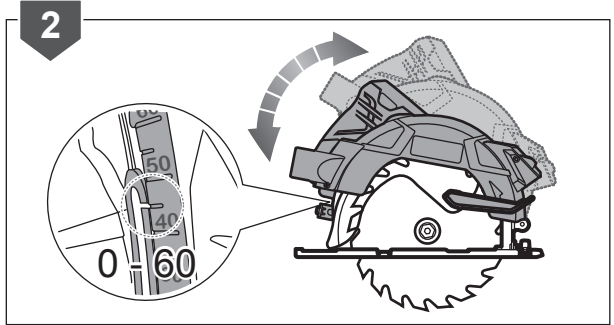
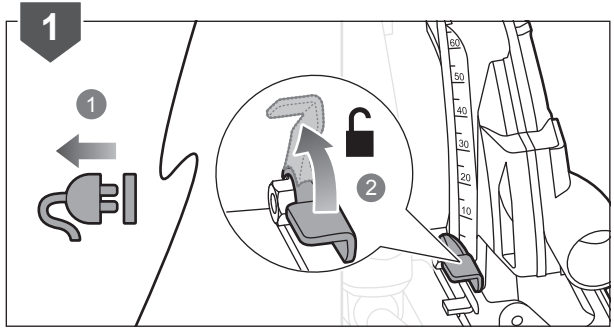
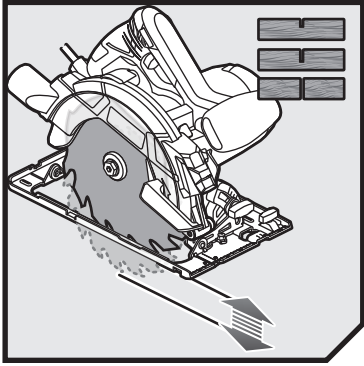


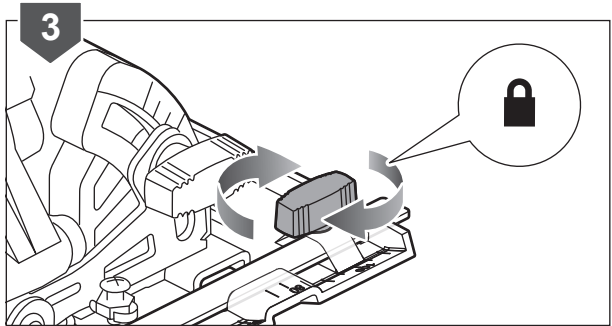
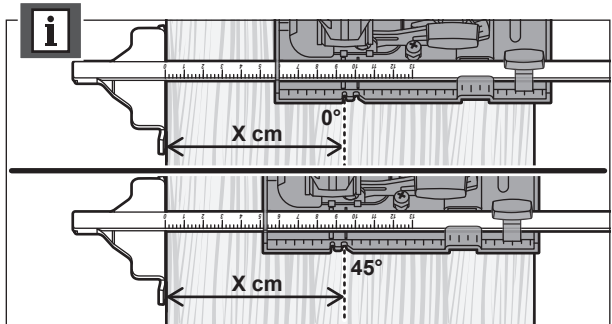
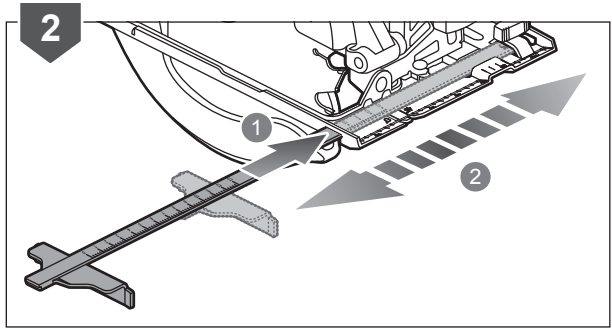
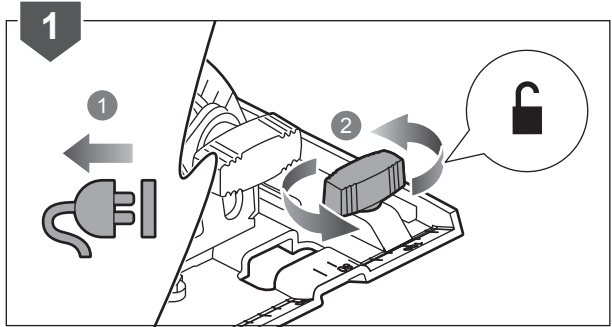
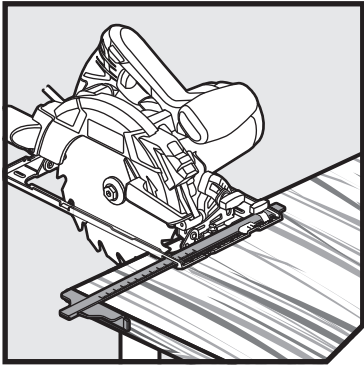


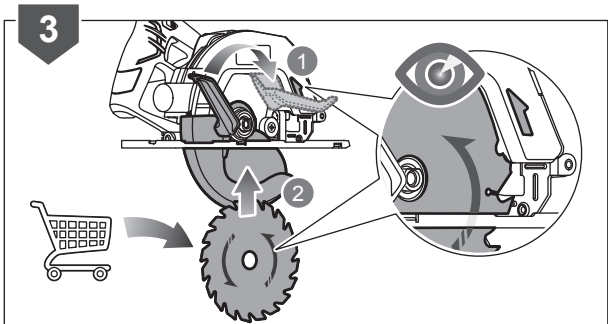
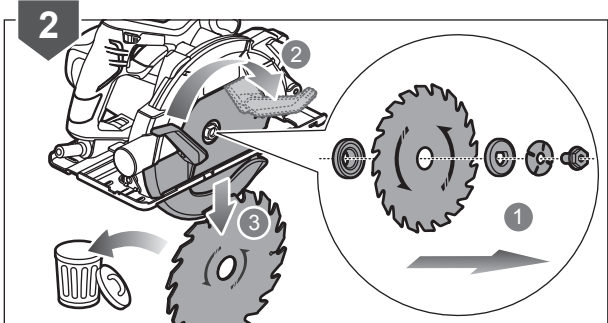
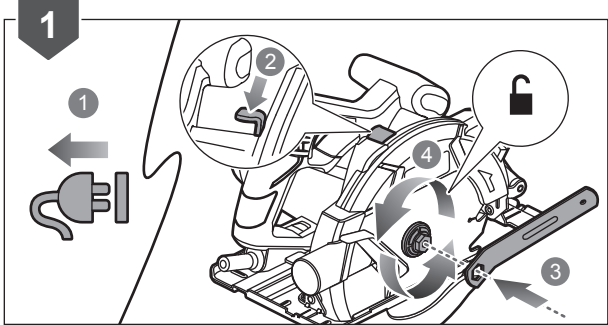
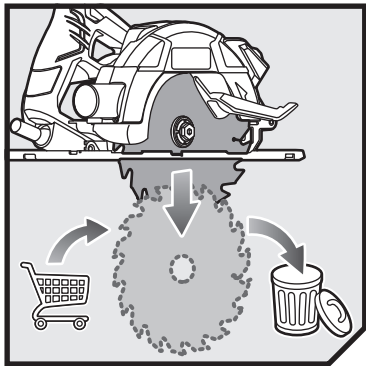
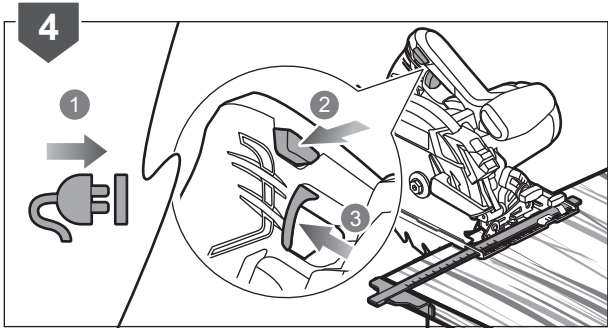


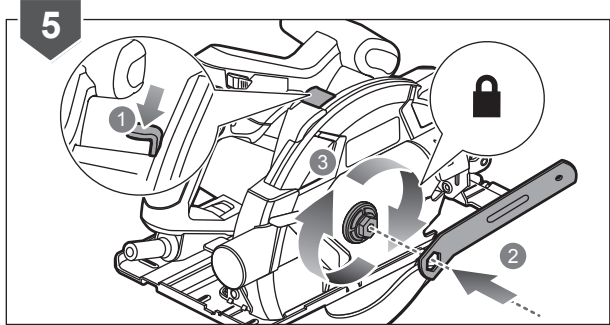
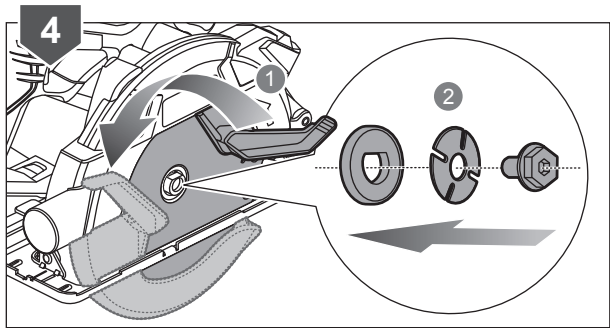


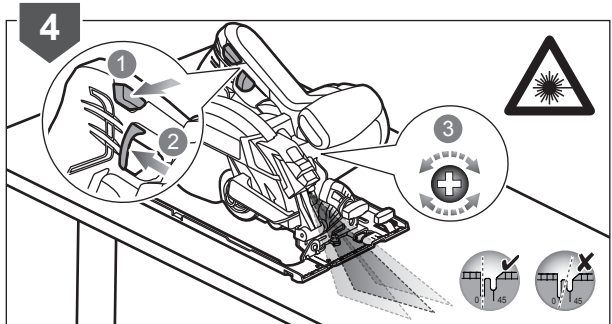
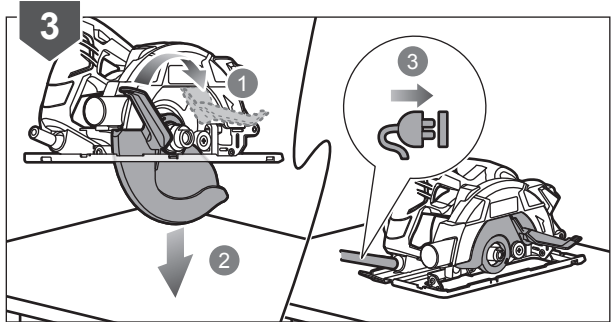
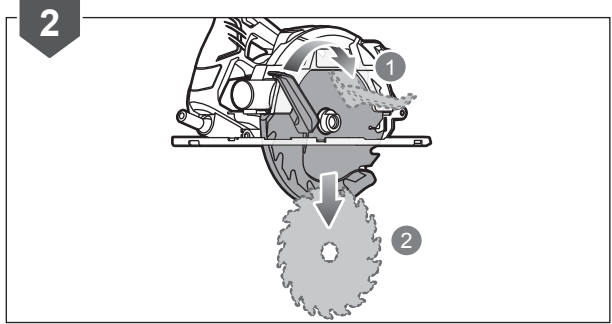
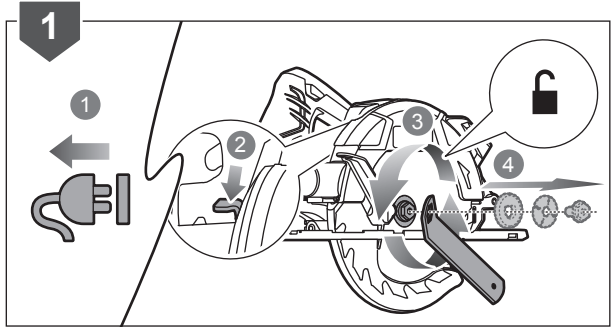
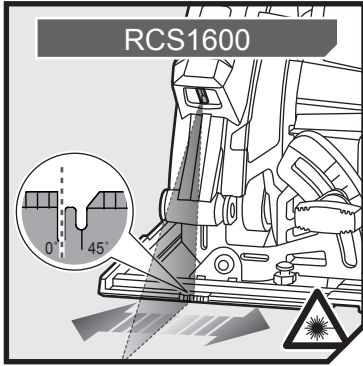














English	Français	Deutsch	Español	Italiano	Nederlands	Português
Product specifications	Caractéristiques de l'appareil	Produkt-Spezifikationen	Especificaciones del producto	Specifiche prodotto	Productspecificaties	Especificações do produto
Circular Saw Model	Scie Circulaire Modèle	Kreissäge Modell	Sierra Circular Modelo	Sega circolare Modello	Kirkelzaagmachine Model	Serra Circular Modelo
Voltage	Tension	Spannung	Tensión	Voltaggio	Spanning	Voltagem
Input	Alimentation	Eingangleistung	Tensión nominal	Alimentazione	Input	Admissão
No-load speed	Vitesse à vide	Leerlaufdrehzahl	Velocidad sin carga	Velocità a vuoto	Onbelast toerental	Velocidade em vazio
Blade diameter	Diamètre du disque de coupe	Sägeblatt Durchmesser	Diámetro de la hoja	Diametro lama	Zaagblad ø	Diâmetro da lâmina
Blade arbor	Arbre de Lame	Sägeblattspindel	Ranura de la cuchilla	Portalama	Asgat ø	Eixo da Lâmina
Blade thickness (Max)	Epaisseur de la Lame (maxi.)	Sägeblatt Dicke (Max.)	Grosor hoja (máx.)	Spessore lama (Massimo)	Zaagbladdikte (max.)	Espessura lâmina (Máx.)
Blade teeth	Nombre de dents	Sägezähne	Dientes de la hoja	Denti lame	Zaagblattanden	Dentes da lâmina
Blade - width of cut (Min/Max)	Lame - Largeur de coupe (Mini/Maxi.)	Sägeblatt - Breite des Schnitts (Min/Max.)	Hoja - Ancho del corte (Min/Máx.)	Lama - Ampiezza di taglio (Min/Massimo)	Zaagblad - Maatbreedte (Min/Max.)	Lâmina - Largura do corte (Min/Máx.)
Blade model number	Référence de lame	Sägeblatt Modellnummer	Número de modelo de la hoja	Numero modello lame	Zaagblad modelnummer	Número de modelo da lâmina
Cutting capacity - 0°	Capacité de coupe - 0°	Schnittkapazität - 0°	Capacidad de corte - 0°	Capacità di taglio - 0°	Zaagcapaciteit - 0°	Capacidade de corte - 0°
Cutting capacity - 45°	Capacité de coupe - 45°	Schnittkapazität - 45°	Capacidad de corte - 45°	Capacità di taglio - 45°	Zaagcapaciteit - 45°	Capacidade de corte - 45°
Bevel scale	Echelle d'inclinaison	Neigungsskala	Escala de inclinación	Scala di inclinazione	Afschuinschaalverdeling	Escala de inclinação
Weight According to EPTA-Procedure 01/2014	Poids Selon la procédure EPTA 01/2014	Gewicht Gemäß EPTA-Verfahren 01/2014	Peso Según el procedimiento EPTA 01/2014	Peso Secondo quanto indicato dalla EPTA-Procedure 01/2014	Gewicht Overeenkomstig de EPTA-procedure 01/2014	Peso De acordo com o Procedimento EPTA 01/2014
Measured sound values determined according to EN 62841:	Valeurs du son mesuré déterminées selon EN 62841:	Gemäß EN 62841: gemessene Schallwerte	Valores medidos del sonido en función de la norma EN 62841:	Valori del suono misurati determinati secondo lo standard EN 62841:	Gemeten geluidswaarden bepaald in overeenstemming met EN 62841:	Valores medidos do som em função da norma EN 62841:
A-weighted sound pressure level	Niveau de pression sonore pondéré-A	A-bewerteter Schalldruckpegel	Nivel de presión acústica ponderada en A	Livello di pressione sonora pesato A	A-gewogen geluidsdrukniveau	Nível de pressão sonora ponderada A
Uncertainty K	Incertitude K	Unsicherheit K	Incertidumbre K	Incertezza K	Onzekerheid K	Incerteza K
A-weighted sound power level	Niveau de puissance sonore pondéré-A	A-bewerteter Schalleistungspegel	Nivel de potencia acústica ponderada en A	Livello di potenza sonora pesato A	A-gewogen geluidsniveau	Nível de potência sonora ponderada A
Uncertainty K	Incertitude K	Unsicherheit K	Incertidumbre K	Incertezza K	Onzekerheid K	Incerteza K
Wear ear protectors.	Portez une protection acoustique.	Tragen Sie Gehörschutz.	Utilice protección auditiva!	Indossare protezioni acustiche adeguate.	Draag oorbeschermers.	Sempre use a proteção dos ouvidos.
The vibration total values (triaxial vector sum) determined according to EN 62841:	La valeur totale des vibrations (somme vectorielle triaxiale) déterminée selon EN 62841:	Schwingungsgesamtwerte (Vektorsumme dreier Richtungen) ermittelt entsprechend EN 62841:	Los valores de vibración total (suma de vectores triax.), determinado según la norma EN 62841:	I valori totali delle vibrazioni (somma di vettori in tre direzioni) sono misurati conformemente alla norma EN 62841:	De totale trillingswaarden (triaxiale vektorsom) vastgesteld in overeenstemming met EN 62841:	Os valores totais de vibração (soma do vector triax) são determinados em conformidade com a EN 62841:
Vibration level	Niveau de vibrations	Vibrationswert	Nivel de vibración	Livello di vibrazioni	Trillingsniveau	Nível de vibração
Cutting wood	Coupe de bois	Sägen von Holz	Corte de madera	Tagliare legno	Hout zagen	Corte de madeira
Uncertainty K	Incertitude K	Unsicherheit K	Incertidumbre K	Incertezza K	Onzekerheid K	Incerteza K
Replacement parts:	Pièces de Rechange:	Ersatzteile:	Piezas de repuesto:	Parti di ricambio:	Vervangonderdelen:	Peças de substituição:
Rip guide	Guide de coupe	Anlagekante	Guía de corte	Guida per la rifilatura	Schulplgeleider	Guia de corte/ graminho





Dansk	Svenska	Suomi	Norsk	Русский	Polski		
Produktspecifikationer	Produktspecifikationer	Tuotteen tekniset tiedot	Produktspecificasjoner	Характеристики изделия	Parametry techniczne		
Rundsav	Cirkelsåg	Pyörösaha	Sirkelsag	Циркулярная пила	Pilarka tarczowa		
Model	Modell	Malli	Modell	Модель	Model	RCS1400	RCS1600
Spænding	Spänning	Jännite	Spennning	Напряжение	Napięcie	220 - 240V ~ 50/60Hz	220 - 240V ~ 50/60Hz
Strømforsyning	Matningsspänning	Virrankulutus	Input	Питание	Zasilanie	1400W	1600W
Tomgangshastighed	Tomgångshastighet	Tyhjäkäyntinopeus	Hastighet ubelastet	Скорость на холостом ходу	Prędkość bez obciążenia	5.000 min ⁻¹	5.000 min ⁻¹
Klignediameter	Klingdiameter	Terän läpimitta	Bladdiameter	Диаметр режущего диска	Średnica tarczy tnącej	190 mm	190 mm
Klingeholder	Sågklinga	Terän varsi	Bladaxsel	Шпиндель режущего диска	Trzpień tarczy tnącej	16 mm	16 mm
Klingetykkelse (max.)	Sågklingatjocklek (max.)	Teräpaksuus (max.)	Blad tykkelse (maks.)	Толщина Лезвия (Макс.)	Grubość Tarcza (Maks.)	1.3 mm (2,0 mm)	1.5 mm (2,0 mm)
Klingetænder	Sågtand	Terän hampaat	Bladtenner	Число зубьев	Liczba zębów tarczy	20/24/48 TCT	20/24/48 TCT
Klinge - Snitbredde (Min/Max.)	Sågklinga - Skärbredd (Min/Max.)	Terä - Leikkauksen leveys (Min/Max.)	Blad - Bredd på kappet (Min/Maks.)	Лезвие - Ширина разреза (Мин./Макс.)	Tarcza - Szerokość cięcia (Min/Maks.)	2.2 mm (1.4 / 2.2mm)	2.2 mm (1.4 / 2.2mm)
Klingemodellnummer	Bladmodellnummer	Terän mallinnumero	Bladmodellnummer	Номер модели режущего полотна	Numer modelu tarczy	CSB190A1	CSB190A1
Savekapacitet - 0°	Skärkapacitet - 0°	Leikkukapasiteetti - 0°	Sagekapasitet - 0°	Режущая способность - 0°	Zakres możliwości cięcia - 0°	66 mm	66 mm
Savekapacitet - 45°	Skärkapacitet - 45°	Leikkukapasiteetti - 45°	Sagekapasitet - 45°	Режущая способность - 45°	Zakres możliwości cięcia - 45°	50 mm	50 mm
Hældningsskala	Lutningsskala	Kaltevuusasteikko	Hellingsskala	Наклонной шкале	Podziałka nachylenia	0° - 45°	0° - 45°
Vægt I henhold til EPTA-procedure 01/2014	Vikt Enligt EPTA 01/2014	Paino EPTA-menetelmän 01/2014 mukaan	Vekt I henhold til EPTA-prosedyre 01/2014	Вес Соответствует требованиям EPTA-Procedure 01/2014	Waga Zgodnie z procedurą EPTA 01/2014	3.3 kg	3.3 kg
Målte lydverdier bestemt iht. EN 62841:	Uppmätta ljudvärden enligt EN 62841:	Mitatut arvot määritetty EN 62841: standardin mukaan:	Målte lydverdier bestemt iht. EN 62841:	Измеренные значения параметров звука определены в соответствии с EN 62841:	Zmierzone wartości akustyczne zgodnie z normą EN 62841:		
A-vægtet lydtryksniveau	A-vägd ljudtrycksnivå	A-painotettu äänenpainetaso	A-vektet lydtrykknivå	Уровень А-взвешенного звукового давления	A-ważony poziom ciśnienia hałasu	$L_{pA} = 96,0$ dB(A)	$L_{pA} = 96,0$ dB(A)
Usikkerhed K	Osäkerhet K	Epätarkkuus K	Usikkerhet K	Разброс K	Niepewność pomiaru K	3 dB(A)	3 dB(A)
A-vægtet lydeffektniveau	A-vägd ljudeffektnivå	A-painotettu äänenteho	A-vektet lydeffektnivå	Уровень А-взвешенной звуковой мощности	A-ważony poziom natężenia hałasu	$L_{WA} = 107,0$ dB(A)	$L_{WA} = 107,0$ dB(A)
Usikkerhed K	Osäkerhet K	Epätarkkuus K	Usikkerhet K	Разброс K	Niepewność pomiaru K	3 dB(A)	3 dB(A)
Bær høreværn.	Bär hörselskydd.	Käytä korvasuojia.	Bruk hørselsvern.	Используйте наушники!	Stosować środki ochrony słuchu!		
Totale vibrationsværdier (triax vector sum) afgøres ifølge EN 62841:	Det totala vibrationsvärdet (treaxelvektorsumma) är framtaget enligt EN 62841:	Tärinän kokonaisarvot (kolmiakselinen vektorisumma) määritetty standardin EN 62841 mukaisesti:	De totale vibrasjonsverdiene (triax vektor-sum) er fastsatt i henhold til EN 62841:	суммарное значение вибрации (векторная сумма по трем координатам) определено в соответствии со стандартом EN 62841:	Wartości sumaryczne drgań (suma wektorowa przyspieszeń mierzona czujnikami typu triax) określone zgodnie z normą EN 62841:		
Vibrationsniveau	Vibrationsnivå	Tärinätao	Vibrasjonsnivå	Уровень вибрации	Poziom drgań		
Skæring i træ	Såga trä	Puun leikkaaminen	Kapping av tre	Резание древесины	Cięcie drewna	$a_{h,w} = 4,0$ m/s ²	$a_{h,w} = 4,0$ m/s ²
Usikkerhed K	Osäkerhet K	Epätarkkuus K	Usikkerhet K	Разброс K	Niepewność pomiaru K	1,5 m/s ²	1,5 m/s ²
Reservevedle:	Utbytesdelar:	Varaosat:	Reservevedler:	Запасные части:	Części zamienne:		
Parallellanslag	Klyvguide	Ohjauslaite	Parallellanlegg	Направляющая резки	Prowadnica wzdluzna	5132002276	5132002276





Čeština	Magyar	Română	Latviski	Lietuviškai	Eesti	Hrvatski
Technické údaje produktu	Termék műszaki adatai	Specificațiile produsului	Produkta specifikācijas	Gaminio techninės savybės	Toote tehnilised andmed	Specifikacije proizvoda
Rotační pila	Kórfűrész	Fierăstrău circular	Ripzāģis	Diskinis pjūklas	Ketassaag	Cirkularna pila
Model	Típus	Model	Modelis	Modelis	Mudeli tähis	Model
Elektrické napětí	Feszültség	Tensiune	Spriegums	Įtampa	Pinge	Napon
Vstup	Bemenet	Intrare	Ieeja	Ivestis	Vooluvõrk	Ulaz
Otáčky naprázdno	Üresjárati fordulatszám	Viteză în gol	Apgrīezieni bez slodzes	Greitis be apkrovimo	Kiirus ilma koormuseta	Brzina bez opterećenja
Průměr kotouče	Tárca átmérője	Diametru lamă	Asmens diametrs	Pjovimo disko skersmuo	Saeketta läbimõõt	Promjer rezne ploče
Hfidel kotouče	Fűrészlap furata	Ax lamă	Asmens ass	Geležės ašis	Lõiketera	Rezna ploča
Pilový kotouč Tloušťka (max.)	Vastagság Fűrészlemez (max.)	Grosime Lamă (Max.)	Ripa biežums (maks.)	Geležė storis (maks.)	Saeketas paksum (Maks.)	Debljina Oštrica (maks.)
Zub kotouče	Fűrészlap fogai	Dinte lamă	Asmens zobi	Geležės dantukų skaičius	Lõiketera hammas	Zubi pile
Pilový kotouč - Šířka řezu (Min/Max.)	Fűrészlemez - Vágás szélessége (Min./Max.)	Lamă - Lățime a tăierii (Minimum/Max.)	Ripa - Griezuma platums (Min./Maks.)	Geležė - Pjovimo plotis (Maks.)	Saeketas - Lõikelaius (Min/Maks.)	Oštrica - Širina reza (Min/Maks.)
Číslo modelu nože	Fűrészlap típuszáma	Număr model lamă	Asmens modeļa numurs	Geležės modelio numeris	Lõikeketta mudeli number	Broj modela pile
Maximální profez - 0°	Vágásteljesítmény (vágási vastagság) - 0°	Capacitate de tăiere - 0°	Zāģēšanas ražība - 0°	Pjovimo talpa - 0°	Lõikesügavus: - 0°	Kapacitet rezanja - 0°
Maximální profez - 45°	Vágásteljesítmény (vágási vastagság) - 45°	Capacitate de tăiere - 45°	Zāģēšanas ražība - 45°	Pjovimo talpa - 45°	Lõikesügavus: - 45°	Kapacitet rezanja - 45°
Stupnice pro nastavení naklopení	Szögmérő	Scală de înclinare	Leņķa lineāla skala	Įstrižio skalė	Püstkaldeskaala	Ljestvica nagiba
Hmotnost Dle protokolu EPTA 01/2014	Tömeg A 01/2014 EPTA-eljárás szerint	Greutate În conformitate cu Procedura EPTA din 01/2014	Svars Saskaņā ar EPTA procedūru 01/2014	Svoris Pagal Europos elektrinių įrankių asociacijos (EPTA) nustatytą tvarką 01/2014	Mass Vastavalt EPTA-protseduurile 01/2014	Težina Prema EPTA-postupku 01/2014
Namēfené hodnoty hluku zjištené dle EN 62841:	A hang értékek meghatározása az EN 62841: szerint történt:	Valori de sunet măsurate determinate În conformitate cu EN 62841:	Izmēritās skaņas vērtības ir noteiktas saskaņā ar EN 62841:	Išmatuotos garso vertės nustatytos pagal EN 62841:	Mõõteväärtused on kindlaks määratud vastavalt standardile EN 62841:	Mjerena vrijednost zvuka određena je prema EN 62841:
Hladina akustického tlaku vážená funkcí A	A-súlyozott hangnyomásszint	Nivel de presiune acustică ponderată A	A-līmeņa skaņas spiediena līmenis	A svertinis garso slėgio lygis	A-kaalutud helirõhu tase	Ponderirana razina tlaka zvuka
Nejistota K	Bizonytalanság K	Incertitudine K	Kļūdas vērtība K	Nepastovumas K	Mõõtemääramatus K	Neodređenost K
Hladina akustického výkonu vážená funkcí A	A-súlyozott hangteljesítményszint	Nivel de putere acustică ponderată A	A-līmeņa skaņas jaudas līmenis	A svertinis garso galios lygis	A-kaalutud helivõimsuse tase	Ponderirana razina zvučne snage
Nejistota K	Bizonytalanság K	Incertitudine K	Kļūdas vērtība K	Nepastovumas K	Mõõtemääramatus K	Neodređenost K
Používejte chrániče sluchu.	Visejelen hallásvédőt.	Purtaji aparatoare de urechi.	Lietojiet dzirdes aizsargus.	Naudokite ausų apsaugos priemones.	Kasutage kuulmiskaitsevahendeid.	Nosite štitnike za uši.
Celkové hodnoty vibrací (třísos vektorový součet) určené v souladu s EN 62841:	Vibráció teljes értékei (háromtengelyű vektorösszeg), az EN 62841 szerint meghatározva:	Valorile totale ale vibrațiilor (suma vectorială a trei direcții) au fost determinate conform EN 62841:	Vibrāciju kopējās vērtības (trīsasu vektoru summa) tiek noteiktas atbilstoši EN 62841:	Bendros vibracijos vertės (trikampio vektorių suma) nustatomos pagal EN 62841:	Vibratsiooni koguväärtused (kolme suuna vektorisumma) on vastavalt standardile EN 62841 määratud järgmiselt:	Ponderirana energetska vrijednost Ukupne vrijednosti vibracija (troosni vektorski zbir) određuju se u skladu s EN 62841:
Úroveň vibrací	Vibrációsztint	Nivelul vibrațiilor	Vibrācijas līmenis	Vibracijos lygis	Vibratsioonitase	Razina vibracije
Řezání dřeva	Fa vágása	Lemn de tăiere	Koksnes griešana	Medienos pjovimas	Puidu saagimine	Rezanje drveta
Nejistota K	Bizonytalanság K	Incertitudine K	Kļūdas vērtība K	Nepastovumas K	Mõõtemääramatus K	Neodređenost K
Náhradní díly:	Cserealkatrészek:	Piese de schimb:	Rezerves daļas:	Atsarginės detalės:	Asendusosad:	Zamjena dijelova:
Sundavaci doraz	Párhuzamvezető	Ghidaj de tăiere	Garengriezuma vadošā detaļa	Pjovimo užtvaros kreiptuvas	Ristlõike juhik	Letva za uzdužno rezanje





Slovensko	Slovenčina	България	українська мова	Türkçe	Ελληνικά		
Specifikacije izdelka	Špecifikácie produktu	Технически характеристики	Технічні характеристики продукту	Ürün Özellikleri	Προδιαγραφές Προϊόντος		
Krožna žaga	Kotúčová píla	Циркулярен трион	Циркулярна пила	Dairesel Testere	Κυκλικός κόπτης		
Model	Model	Μοдел	Марка	Model	Μοντέλο	RCS1400	RCS1600
Napetost	Napátie	Напряжение	Напряжение	Gerilim	Τάση	220 - 240V ~ 50/60Hz	220 - 240V ~ 50/60Hz
Vhod	Vstup	Входяща мощност	Введення	Giriş	Είσοδος ρεύματος	1400W	1600W
Hitrost brez obremenitve	Otáčky bez zaťaženia	Скорост в ненатоварен режим	Швидкість без навантаження	Bota hız	Ταύτητα στ кеv	5,000 min ⁻¹	5,000 min ⁻¹
Premer rezila	Priemer pilového kotúča	Острие: Диаметър	Диаметр леza	Biçak çapı	Διάμετρος λεπίδας	190 mm	190 mm
Os rezila	Priemer vretena	Острие: ос	Отвір валу	Biçak Mili	Άξονας λεπίδας	16 mm	16 mm
Rezilo debelina (maks.)	Ostrie hrúbka (Max.)	Острие: Дебелината (максимално)	Товщина диску	Biçak kalınlığı (maks.)	Λάμα πάχος (μέγ.)	1,3 mm (2,0 mm)	1,5 mm (2,0 mm)
Zobje rezila	Zúbky čepele	Зъби на острието	Кількість зубців на диску	Biçak dişleri	Δόντια λεπίδας	20/24/48 TCT	20/24/48 TCT
Rezilo - Širina rezanja (Min/Maks.)	Ostrie - Šírka rezu (Min./Max.)	Острие - Ширина на рязане (минимална/максимално)	Диск - ширина рязання	Biçak - Kesim genişliği (Dak/Maks.)	Λάμα - Πλάτος κοπής (Ελάχ./μέγ.)	2,2 mm (1,4 / 2,2mm)	2,2 mm (1,4 / 2,2mm)
Št. modela rezila	Číslo modelu ostria	Острие: Номер на модела	Номер модели, Лезо	Biçak modeli numarası	Αριθμός μοντέλου λεπίδας	CSB190A1	CSB190A1
Zmogljivost rezanja - 0°	Kapacita rezanja - 0°	Капацитет на рязане - 0°	Диапазон рязання - 0°	Kesim kapasitesi - 0°	Ικανότητα κοπής - 0°	66 mm	66 mm
Zmogljivost rezanja - 45°	Kapacita rezanja - 45°	Капацитет на рязане - 45°	Диапазон рязання - 45°	Kesim kapasitesi - 45°	Ικανότητα κοπής - 45°	50 mm	50 mm
Stopnja nagiba	Stupnica skosenia	Ъглова скала	Κυτμήρ	Eğim cetveli	Κλίμακα κλίσης	0° - 45°	0° - 45°
Teža Skladno s postopkom EPTA 01/2014	Hmotnosť Podľa EPTA-Procedure 01/2014	Тегло (съответствие с EPTA 01/2014)	Вага (відповідно до процедури EPTA 01/2014)	Ağırlık EPTA-Prosedürü 01/2014'e göre	Βάρος Σύμφωνα με την Διαδικασία EPTA 01/2014	3,3 kg	3,3 kg
Izmerjene zvočne vrednosti določene v skladu s standardom EN 62841:	Namerané hodnoty určené podľa EN 62841:	Измерените стойности на звука са определени в съответствие с EN 62841:	Измеренные значения параметров звука определены в соответствии с EN 62841:	EN 62841: e göre hesaplanmış ses değerleri:	Μετρημένες τιμές ήχου σύμφωνα με το EN 62841:		
A-izmerjena raven zvočnega tlaka	Vážená A hladina akustického tlaku	Ниво на шумово налягане с равнище A	A-звачений рівень звукового тиску	A ağırlıklı ses basınç seviyesi	A-σταθμισμένο επίπεδο πίεσης ήχου	$L_{pA} = 96,0$ dB(A)	$L_{pA} = 96,0$ dB(A)
Nedoloč. K	Odhýlka K	Променливост (K)	Невизначеність K	Belirsizlik K	Αβεβαιότητα K	3 dB(A)	3 dB(A)
A-izmerjena raven zvočne moči	Vážená A hladina akustického výkonu	Ниво на силата на шума с равнище A	A-звачений рівень звукової потужності	A ağırlıklı ses gücü seviyesi	A-σταθμισμένο επίπεδο έντασης ήχου	$L_{WA} = 107,0$ dB(A)	$L_{WA} = 107,0$ dB(A)
Nedoloč. K	Odhýlka K	Променливост (K)	Невизначеність K	Belirsizlik K	Αβεβαιότητα K	3 dB(A)	3 dB(A)
Nosite štítnike za ušesa.	Používajte chrániče sluchu.	Носете антифони	Диаметр рiжучої лінії.	Kulak koruyucu kullanın.	Φοράτε ωτοασπίδες.		
Skupna vrednost vibracij (vektorska vsota treh smeri) določena v skladu s EN 62841:	Sejkové hodnoty vibrácií (súhnn triaxiálneho vektora) určuje podľa EN 62841:	Общата стойност на вибрациите (триосна векторна сума) е определена в съответствие с EN 62841:	Сум ммарное значение вибрации (сумма векторов по трем координатным осям) определено в соответствии со стандартом EN 62841:	EN 62841 normuna uygun olarak belirlenmiş titreşim topları değerleri (triaks vektör toplamı)	Συνολικές αξίες κραδασμών (τριαξονικό διανυσματικό άθροισμα) σύμφωνα με EN 62841:		
Raven vibracij	Úroveň vibrácií	Ниво на вибрация	Рiвень вибрації	Titreşim seviyesi	επίπεδο κραδασμών		
Žaganje lesa	Rezanje dreva	Рязане на дърво	Рiзка дерева	Ahşap kesme	Κοπή ξύλου	$a_{h,W} = 4,0$ m/s ²	$a_{h,W} = 4,0$ m/s ²
Nedoloč. K	Odhýlka K	Променливост (K)	Невизначеність K	Belirsizlik K	Αβεβαιότητα K	1,5 m/s ²	1,5 m/s ²
Nadomestni deli:	Náhradné diely:	Резервни части	Запасні частини	Yedek parçalar:	Ανταλλακτικά:		
Vzdolžno vodilo	Vodidlo zlomu	Надлъжен водач	Напрямна подовжнього рязання	Kesme kılavuzu	Οδηγός απόσχισης	5132002276	5132002276





EN WARNING

The vibration emission level given in this information sheet has been measured in accordance with a standardised test given in EN 62841 and may be used to compare one tool with another. It may be used for a preliminary assessment of exposure. The declared vibration emission level represents the main applications of the tool. However if the tool is used for different applications, with different accessories or poorly maintained, the vibration emission may differ. This may significantly increase the exposure level over the total working period.

An estimation of the level of exposure to vibration should also take into account the times when the tool is switched off or when it is running but not actually doing the job. This may significantly reduce the exposure level over the total working period. Identify additional safety measures to protect the operator from the effects of vibration such as: maintain the tool and the accessories, keep the hands warm, organisation of work patterns.

FR AVERTISSEMENT

Le niveau d'émission des vibrations indiqué dans cette feuille d'information a été mesuré en concordance avec un test normalisé fourni par EN62841 et peut être utilisé pour comparer un outil à un autre. Il peut être utilisé pour une évaluation préliminaire de l'exposition. Le niveau déclaré d'émission des vibrations s'applique à l'utilisation principale de l'outil. Toutefois, si l'outil est utilisé pour des applications différentes, avec des accessoires différents, ou mal entretenu, l'émission de vibrations peut être différente. Le niveau d'exposition peut en être augmenté de façon significative tout au long de la période de travail.

Une estimation du niveau d'exposition aux vibrations doit aussi prendre en compte les périodes où l'outil est arrêté ainsi que les périodes où il fonctionne sans vraiment travailler. Le niveau d'exposition pendant la durée totale du travail peut en être réduit de façon significative. Prenez en considération les mesures additionnelles de sécurité à prendre pour protéger l'opérateur des effets des vibrations telles que: maintien de l'outil et de ses accessoires, maintien des mains au chaud, organisation du travail.

DE WARNUNG

Der in diesem Informationsblatt genannte Schwingungspegel wurde entsprechend dem standardisierten Test von EN62841 gemessen und kann benutzt werden um das Werkzeug mit anderen zu vergleichen. Er kann benutzt werden, um eine vorausgehende Einschätzung der Exposition durchzuführen. Der genannte Schwingungspegel repräsentiert den Haupteinsatzbereich des Werkzeugs. Jedoch kann das Werkzeug für verschiedene Einsatzbereiche benutzt werden. Mit unterschiedlichen Zusatzgeräten oder bei schlechter Wartung kann der Schwingungspegel unterschiedlich sein. Dadurch kann die Expositionshöhe über die gesamte Arbeitszeit signifikant erhöht werden.

Eine Einschätzung der Exposition zu Schwingungen sollte auch die Zeiten wenn das Werkzeug ausgeschaltet ist, oder wenn es angeschaltet aber nicht in Betrieb ist, in Betracht ziehen. Dadurch kann die Expositionshöhe über die gesamte Arbeitszeit signifikant reduziert werden. Identifizieren Sie zusätzliche Sicherheitsmaßnahmen um die Bedienungsperson vor den Effekten der Schwingungen zu schützen, wie zum Beispiel: Das Werkzeug und Zusatzgeräte warten, Hände warmhalten und Organisation der Arbeitszeiten.

ES ADVERTENCIA

El nivel de emisión de las vibraciones que figura en esta hoja de información se ha medido según una prueba estandarizada que figura en EN62841 y puede ser utilizado para comparar una herramienta con otra. Puede ser utilizado para una evaluación preliminar de la exposición. El nivel de emisión de las vibraciones declarado representa las principales aplicaciones de la herramienta. No obstante, si la herramienta se utiliza para diferentes aplicaciones, con diferentes accesorios o no recibe el mantenimiento adecuado, la emisión de las vibraciones puede ser diferente. Esto puede aumentar significativamente el nivel de exposición durante el período de trabajo total.

Una estimación del nivel de exposición a la vibración también debe tener en cuenta el tiempo en el que la herramienta está desconectada o cuando está conectada pero no está realizando ningún trabajo. Esto puede reducir significativamente el nivel de exposición durante el período de trabajo total. Identificar las medidas de seguridad adicionales para proteger al operador de los efectos de las vibraciones, tales como: mantenimiento de la herramienta y de los accesorios, y la organización de los patrones de trabajo.

IT AVVERTENZE

Il livello di vibrazioni indicato in questo foglio informativo è stato misurato seguendo un test svolto secondo i requisiti indicati dallo standard EN62841 e potrà essere utilizzato per paragonare un utensile con un altro. Potrà essere utilizzato per una valutazione preliminare dell'esposizione a vibrazioni. Il livello dichiarato di emissioni di vibrazioni viene indicato tenendo conto delle applicazioni principali dell'utensile. Comunque se l'utensile viene utilizzato per applicazioni diverse con accessori diversi o non viene correttamente conservato, il livello delle vibrazioni potrà variare. Ciò potrà significativamente aumentare il livello di esposizione alle vibrazioni durante il periodo di lavoro totale.

Una valutazione del livello di esposizione alle vibrazioni dovrà inoltre prendere in considerazione i tempi in cui l'utensile viene spento o è acceso ma non viene utilizzato. Ciò potrà significativamente ridurre il livello di esposizione in un periodo totale di funzionamento. Ulteriori misure di sicurezza per proteggere l'operatore dagli effetti delle vibrazioni come: conservare correttamente l'utensile e i suoi accessori, tenere le mani calde e organizzare i tempi di lavoro.

NL WAARSCHUWING

Het trillingsemissieniveau dat op dit informatieblad wordt gegeven, is gemeten in overeenstemming met een gestandaardiseerde test, vastgelegd in EN62841 en mag worden gebruikt om machines met elkaar te vergelijken. Het verklaarde trillingsemissieniveau geeft de hoofdtoepassing van het gereedschap weer. Als de machine echter voor andere toepassingen of met andere accessoires wordt gebruikt of slecht wordt onderhouden, kan de trillingsemisie verschillen. Dit kan de blootstelling gedurende de gehele werkduur aanzienlijk verhogen.

Bij een schatting van het niveau van blootstelling aan trillingen moet ook rekening worden gehouden met het aantal keren dat de machine wordt uitgeschakeld of draait, maar niet wordt gebruikt. Dit kan het niveau van blootstelling gedurende de gehele werkduur aanzienlijk verlagen. Stel bijkomende veiligheidsmaatregelen op om de gebruiker tegen de gevolgen van trillingen te beschermen: zoals onderhouden het gereedschap en de accessoires, houd de handen warm, de organisatie van werktijden.

PT AVISO

O nível de emissão de vibrações fornecido nesta folha de informações foi medido em conformidade com o teste uniformizado descrito em EN62841 e pode ser usado para comparar uma ferramenta com outra. Este pode ser usado para uma avaliação preliminar da exposição. O nível de emissão de vibração declarado refere-se à aplicação principal da ferramenta. Contudo, se a ferramenta for usada para aplicações diferentes, com acessórios diferentes ou não for devidamente mantida, a emissão de vibrações pode diferir. Isto pode fazer aumentar significativamente o nível de exposição ao longo do período de trabalho total.

Uma estimativa do nível de exposição às vibrações deve ter, também, em consideração o tempo durante o qual a ferramenta está desligada ou em que está ligada mas não está a realizar qualquer trabalho. Isto pode reduzir significativamente o nível de exposição durante o período total de trabalho. Identifique medidas adicionais de segurança que protejam o operário dos efeitos da vibração como a manutenção da ferramenta e dos acessórios, a manutenção das mãos quentes e a organização de padrões de trabalho.

DA ADVARSEL

Det angivne niveau for vibrationsemission på denne oplysningside er blevet målt iht. en standardtest ifølge EN62841 og kan bruges til at sammenligne værktøjer indbyrdes. Det kan bruges til en foreløbig eksponeringsvurdering. Det opgivne niveau for vibrationsemission gælder, når værktøjet bruges til sit hovedformål. Men hvis værktøjet bruges til andre formål, med forskelligt eller med dårligt vedligeholdet ekstraudstyr, kan vibrationsemissionen variere. Dette kan medføre en betragtelig stigning i eksponeringsniveauet set over hele arbejdsperioden.

Et skøn over niveauet for vibrationseksponering bør også tage højde for de perioder, hvor værktøjet er slukket, eller hvor det er tændt uden faktisk at være i brug. Dette kan medføre en betragtelig reduktion i eksponeringsniveauet set over hele arbejdsperioden. Træf ekstra sikkerhedsforanstaltninger til beskyttelse af operatøren mod virkningerne fra vibrationen som fx: vedligeholdelse værktøj og ekstraudstyr, holde hænderne varme, organisere arbejdsmonstre.





SV VARNING

Vibrationsnivåerna som uppges i det här dokumentet har uppmäts i enlighet med ett standardiserat test som beskrivs i EN62841 och som kan användas för att jämföra verktyg. Det kan användas som en preliminär bedömning av den vibration som användaren utsätts för. De deklarerade vibrationsvärdena motsvarar de som uppstår när verktyget används i sitt huvudsyfte. Om verktyget används i andra syften, med andra tillbehör eller om verktyget är dåligt underhållet kan vibrationsnivåerna vara annorlunda. Det kan kraftigt öka vibrationsnivåerna över den totala arbetsperioden.

En uppskattning av vibrationsnivåerna som användaren utsätts för ska också ta hänsyn till de stunder då verktyget är avstängt och när det går på tomgång. Detta kan kraftigt minska vibrationsnivåerna över den totala arbetsperioden. Andra säkerhetsåtgärder som kan skydda användaren från effekterna av vibrationer är: underhållning av verktyget och tillbehören, hålla händerna varma och organisera arbets sättet.

FI VAROITUS

Tämän tiedotteen tärinäso on mitattu EN62841-standardien mukaisilla testeillä, ja niitä voidaan käyttää verrattaessa laitetta toiseen. Sitä voidaan käyttää arvioitaessa tärinävaikutusta. Ilmoitettu tärinäso vastaa laitteen pääasiallista käyttötarkoitusta. Jos laitetta kuitenkin käytetään muuhun tarkoitukseen, muilla lisälaitteilla tai huonosti huolletuna, tärinäso saattaa poiketa ilmoitetusta arvosta. Tämä voi kasvatata kokonaisaltistumista huomattavasti koko työjakson kuluessa.

Tärinän altistumistasoa arvioitaessa tulee huomioida ajat, jolloin laite on sammutettu tai kun se on käynnissä, mutta sitä ei käytetä varsinaiseen työskentelyyn. Tämä voi vähentää kokonaisaltistumista huomattavasti koko työjakson kuluessa. Käytä muitakin suojakeinoja turvataksesi käyttäjän tärinävaikutukselta, kuten: huolla laite ja lisälaitteet, pidä kätesi lämpiminä, organisoi työnkulku.

NO ADVARSEL

Vibrasjonsnivået som oppgis på dette informasjonsarket er målt i henhold til en standardisert test gitt i EN62841 og kan brukes til å sammenligne ett verktøy med et annet. Det kan brukes til en foreløpig vurdering av eksponering. Det erklærte vibrasjonsnivået representerer hovedanvendelsen for verktøyet. Dersom verktøyet brukes for andre anvendelser, med forskjellige tilbehør eller med dårlig vedlikehold, vil vibrasjonsnivået kunne være annerledes. Det kan gi en betydelig økning av eksponeringsnivået over den totale arbeidsperioden.

En beregning av nivået for eksponering til vibrasjoner må også ta hensyn til den tiden verktøyet er slått av eller er i gang men ikke i faktisk bruk for å utføre den tiltenkte oppgaven. Dette kan gi en betydelig økning av eksponeringsnivået over den totale arbeidsperioden. Identifiser ytterligere sikkerhetstiltak for å beskytte den som bruker verktøyet fra virkningen av vibrasjoner, tiltak som: Vedlikehold verktøyet og tilbehøret, hold hendene varme, organiser arbeidsmetodene.

RU ОСТОРОЖНО!

Уровень вибрации, приведенный в данном справочном листе, измерен согласно стандартизованным испытаниям, определенным в EN62841 и может использоваться для сравнения различных инструментов. Значение уровня может использоваться для предварительной оценки влияния вибрации. Заявленный уровень вибрации действителен для основного применения инструмента. Однако, если инструмент используется для других целей, с другими приспособлениями, или плохо обслуживается, уровень вибрации может отличаться от указанного. Это может значительно увеличить величину воздействия за общее время работы.

При оценке уровня воздействия вибрации следует также принять во внимание время простоя и холостой ход (когда инструмент выключен и когда включен, но работа не производится). Эти факторы могут значительно уменьшить величину воздействия вибрации за общее время работы. Определите дополнительные меры безопасности, защищающие работающего от влияния вибрации: техническое обслуживание инструмента и принадлежностей, недопущение охлаждения рук, соответствующие приемы и расписание работы.

PL OSTRZEŻENIE

Deklarowany poziom drgań został zmierzony za pomocą standardowej metody pomiaru określonej normą EN62841 i jego wyniki mogą służyć do porównywania tego urządzenia z innymi. Deklarowana wartość drgań może służyć do wstępnej oceny narażenia operatora na drgania. Deklarowany poziom drgań dotyczy podstawowych zastosowań urządzenia. Jednak w przypadku użycia urządzenia do innych zastosowań, z innymi przystawkami lub w przypadku niewłaściwego stanu technicznego urządzenia poziom drgań może odbiegać od deklarowanego. Może być to przyczyną zwiększenia stopnia narażenia operatora na drgania w całym okresie wykonywania pracy.

Podczas oceny narażenia na drgania należy również uwzględnić czas wyłączenia urządzenia oraz czas, w którym urządzenie jest włączone, jednak praca nie jest wykonywana. Czas te mogą znacznie zmniejszyć stopień narażenia operatora na drgania w całym okresie wykonywania pracy. Należy określić dodatkowe środki ochrony operatora przed skutkami drgań, przykładowo: dbać o stan techniczny urządzenia i przystawek, dbać o zachowanie ciepłoty dłoni, odpowiednio zorganizować harmonogram wykonywania prac.

CS VAROVÁNÍ

Hodnota vibračních emisí uvedená v tomto informačním listu byla naměřena standardizovaným testem podle EN62841 a ji použít k porovnání s hodnotami jiných nástrojů. Může se používat k předběžnému odhadu vystavení vibracím. Uznaná hodnota vibračních emisí reprezentuje hlavní použití nástroje. Nicméně pokud se nástroj používá pro jiné použití, s různými doplňky nebo se nedostatečně neudržuje, mohou se vibrační emise lišit. Toto může výrazně zvýšit úroveň vystavení nad celkové pracovní období.

Odhad úrovně vystavení vibracím by měl vzít taktéž v potaz časy, kdy je chvění vypnuto, nebo když přístroj běží, ale nevykonává práci. Toto může výrazně snížit úroveň vystavení nad celkové pracovní období. Určete doplňující bezpečnostní opatření pro ochranu obsluhy před různými vibracemi, například: Udržujte nástroj a doplňky, udržujte ruce v teple, organizujte pracovní schéma.

HU FIGYELMEZTÉTES

A vibráció-kibocsátás adattalapon megadott értéke az EN62841 által meghatározott szabványosított mérési eljárás szerint lett megmértve, amely lehetővé teszi a különböző szerszámok összehasonlítását. Használható a kitettség előzetes felmérésére is. A nyilatkozatban szereplő kibocsátási érték a szerszám főbb alkalmazási területeire vonatkozik. Ugyanakkor, ha a szerszám más alkalmazásokra, más kiegészítőkkel használják vagy rosszul tartják karban, a vibráció-kibocsátás értéke ettől eltérő is lehet. Ez jelentősen növelheti a kitettség szintjét a gép teljes használati időtartama során.

A vibrációnak való kitettség szintjének becslésekor figyelembe kell venni azokat az időintervallumokat is, amikor a szerszám ki van kapcsolva, vagy működik, de nem végeznek munkát vele. Ez jelentősen csökkentheti a kitettség szintjét a gép teljes használati időtartama során. Tegyén további óvintézkedéseket a kezelő vibrációval szembeni megvédése érdekében: tartsa karban a szerszámot és a tartozékokat, tartsa melegen a kezét, tervezzék meg a munkafolyamatot.

RO AVERTISMENT

Nivelul emisiilor de vibrații prezentat în cadrul acestei fișe cu informații a fost măsurat în conformitate cu un test standardizat furnizat în EN62841 și poate fi folosit la a compara o unealtă cu o alta. Poate fi folosit la o evaluare preliminară a expunerii. Nivelul declarat al emisiilor de vibrații reprezintă aplicațiile principale ale uneltei. Cu toate acestea, în cazul în care unealta este utilizată pentru aplicații diferite, cu accesorii diferite sau întreținute necorespunzător, emisiile de vibrații pot diferi. Acestea pot crește semnificativ nivelul de expunere pe întreaga perioadă de lucru.

O estimare a nivelului de expunere la vibrații trebuie, de asemenea, să țină cont de tălțile în care unealta este oprită sau de tălțile în care aceasta funcționează fără a efectua propriu-zis sarcina de lucru. Acestea pot reduce semnificativ nivelul de expunere pe întreaga perioadă de lucru. Identificați măsurile de siguranță suplimentare pentru a proteja operatorul de efectele vibrațiilor, precum: întreținerea uneltei și a accesoriilor, păstrarea mâinilor calde, organizarea de modele de lucru.





LV BRĪDINĀJUMS

Šajā datu lapā dotā vibrāciju emisijas vērtība ir mērīta saskaņā ar standartizēto testu, kas dots EN62841 un kuru var izmantot, lai salīdzinātu vienu instrumentu ar citu. To var izmantot aptuvenam ekspozīcijas novērtējumam. Deklarētais vibrāciju emisijas līmenis atbilst galvenajiem instrumenta pielietojumiem. Tomēr, ja instrumentu lieto citiem pielietojumiem, ar citiem piederumiem vai tas tiek slikti apkopts, vibrāciju emisijas vērtība var atšķirties. Tas var ievērojami palielināt ekspozīcijas līmeni visā darba periodā.

Vibrāciju ekspozīcijas līmeņa novērtējumam jāņem vērā laiks, kad instruments ir izslēgts vai ir ieslēgts, bet nevis nekādu darbu. Tas var ievērojami samazināt ekspozīcijas līmeni visā darba periodā. Identificējiet papildu drošības pasākumus, lai aizsargātu operatoru no vibrācijas iedarbības, piemēram, veiciet instrumenta un piederumu apkopi, turiet rokas siltas un pielāgojiet darba grafiku.

LT ĮSPĖJIMAS

Šīme lape nurodytas vibracijos emisijos lygis buvo išmatuotas pagal standartinį testą, aprašytą EN62841, ir gali būti naudojamas vieno įrankio su kitu palyginimui. Jis gali būti naudojamas preliminariam pavojaus įvertinimui. Deklaruotas vibracijos emisijos lygis priskiriamas pagrindinėms įrankio taikymo sritims. Tačiau, jei įrankis naudojamas kitiems tikslams, su kitokiais priedais ar įrankis prastai prižiūrimas, vibracijos emisija gali skirtis. Per visą darbo laikotarpį tai gali žymiai padidinti vibracijos keliamą pavojų.

Nustatant vibracijos keliamą pavojų taip pat būtina atsižvelgti į tai, kiek kartų įrankis yra išjungtas ar kai jis veikia, bet juo iš tikrųjų nedirbama. Per visą darbo laikotarpį tai gali žymiai sumažinti vibracijos keliamą pavojų. Naudokite papildomas apsaugos priemones dirbančiam asmeniui apsaugoti nuo vibracijos poveikio, pvz.: prižiūrėti įrankį ir jo priedus, rankas laikyti šiltai, organizuoti darbo sesijas.

ET HOIATUS

Sellel infolehel esitatud vibratsioonitaseme väärtus on mõõdetud standardis EN62841 kirjeldatud katsemeetodiga ja seda võib kasutada tööriistade omavaheliseks võrdlemiseks. Seda võib kasutada vibratsioonimõju eelhindamiseks. Deklareeritud vibratsioonitaseme väärtus kehtib tööriista tavakasutamisel. Kui aga kasutate tööriista muudeks kasutusotstarveteks, erioptarbeliste tarvikutega või kui tööriist on puudulikult hooldatud, siis võib vibratsiooniväärtus erineda. Sellistel juhtudel võib tööperioodi summaarne vibratsioonitaseme suureneda märgatavalt.

Vibratsiooniväärtuse taset tuleb arveste võtta ka sel ajal, kui tööriist on välja lülitatud või kui tööriist tööle, kuid ei tee tööoperatsiooni. Sellistel juhtudel võib tööperioodi ajal summaarne vibratsioonitaseme väheneda märgatavalt. Maarake kindlaks täiendavad ohutusmeetmed, et kaitsa operaatorit vibratsioonimõjude eest – tööriistade ja tarvikute hooldamine, käte soojas hoidmine ja töövahetuste organiseerimine.

HR UPOZORENJE

Razina vrijednosti vibracija data u ovoj tablici s informacijama mjerena je skladno normiranom testu pruženom u EN62841 i može se koristiti za usporedbu jednog alata s drugim. Može se koristiti u početnom usklađivanju izloženosti. Objavljena razina vrijednosti vibracija predstavlja glavnu primjenu alata. Međutim, ako se alat koristi za druge primjene, s različitim dodatnim priborom ili je slabo održavan, vrijednost vibracija može se razlikovati. Ovo može značajno povećati razinu izloženosti tijekom ukupnog radnog razdoblja.

U procjeni razine izloženosti na vibraciju također treba uzeti u obzir vrijeme kada je alat isključen ili kada je pokrenut no ne i stvarno vrijeme rada. Ovo može značajno smanjiti razinu izloženosti tijekom ukupnog radnog razdoblja. Odredite dodatne sigurnosne mjere za zaštitu operatora od učinaka vibracije poput: održavanje alata i pribora, održavanje toplih ruku, organizacija obrazaca za rad.

SL OPOZORILO

Nivo emisij vibracij, naveden v tem informacijskem listu, je bil izmerjen v skladu s standardiziranim testom, ki je podan v EN62841, podatek pa se lahko uporablja za primerjavo enega orodja z drugim. Uporablja se ga lahko za predhodno oceno izpostavljenosti. Navedeni nivo emisij vibracij predstavlja glavne uporabe orodja. Vendar, če se orodje uporablja v druge namene in z različnimi nastavitvami oz. če je orodje slabo vzdrževano, se lahko emisije vibracij razlikujejo. To lahko občutno poveča nivo izpostavljenosti v skupnem delovnem času.

Ocena nivoja izpostavljenosti vibracijam bi morala prav tako upoštevati, koliko krat je orodje bilo izključeno ali je v delovanju in pravzaprav ne opravlja svojega dela. To lahko občutno zmanjša nivo izpostavljenosti v skupnem delovnem času. Upoštevajte dodatne varnostne ukrepe, da bi upravljavca zaščitili pred vplivom vibracij, kot je: vzdržujte orodje in nastavke, pazite, da so roke tople, organizirajte delovne vzorce.

SK VAROVANIE

Úroveň emisie vibrácií, uvedená v tomto informačnom hárku bola nameraná v súlade so štandardizovaným testom, daný normou EN62841 a môže sa použiť na porovnanie jedného nástroja s druhým. Môže sa použiť na predbežné určenie miery vystavenia sa vibráciám. Uvedená úroveň emisie vibrácií predstavuje hlavné aplikácie nástroja. Avšak keď sa nástroj používa na iné aplikácie, s rôznym príslušenstvom alebo má zlú údržbu, úroveň vibrácií sa môže líšiť. Týmto sa môže výrazne zvýšiť úroveň vystavenia sa vibráciám počas celkového času práce.

Odhad úrovne vystavenia sa vibráciám by sa mal brať tiež do úvahy, vždy, keď sa nástroj vypne, alebo potom, keď beží ale v skutočnosti sa nevykonáva práca. Týmto sa môže výrazne znížiť úroveň vystavenia sa vibráciám počas celkového času práce. Nasledovné dopĺňujúce bezpečnostné opatrenia pomáhajú chrániť operátora od účinkov vibrácií: údržba nástroja a príslušenstva, udržiavanie teplých držadiel, organizácia práce.

BG ВНИМАНИЕ

Посоченото в тези инструкции ниво на вибрациите е измерено в съответствие със стандартизиран в EN 62841 измервателен метод и може да се използва за сравнение на електрически инструменти помежду им. Подходящ е и за временна оценка на вибрационното натоварване. Посоченото ниво на вибрациите представя основните приложения на електрическия инструмент. Ако обаче електрическият инструмент се използва с друго предназначение, с различни сменяемите инструменти или при недостатъчна техническа поддръжка, нивото на вибрациите може да е различно. Това чувствително може да увеличи вибрационното натоварване по време на целия работен цикъл.

За точната оценка на вибрационното натоварване трябва да се вземат предвид и периодите от време, в които уредът е изключен или работи, но в действителност не се използва. Това чувствително може да намали вибрационното натоварване по време на целия работен цикъл. Определете допълнителни мерки по техника на безопасност в защита на обслужващия работник от въздействието на вибрациите като например: техническа поддръжка на електрическия инструмент и сменяемите инструменти, поддръжане на ръцете топли, организация на работния цикъл.

UK ПОПЕРЕДЖЕННЯ

Рівень вібрації, зазначений у цьому інформаційному листку був розрахований відповідно зі стандартизованим випробуванням, наведеним в EN 62841 і може використовуватися для порівняння одного інструмента з іншими. Він може бути використаний для попередньої оцінки впливу. Зазначений рівень вібрації представляє основні застосування інструменту. Тим не менш, якщо інструмент використовується для різних додатків, з різними аксесуарамі і недоглянутий, рівень вібрації може відрізнятись. Це може значно підвищити рівень впливу протягом усього робочого періоду.

При оцінюванні рівня впливу вібрації необхідно також враховувати час, коли інструмент вимкнений або коли він працює, але насправді не виконує ніякої роботи. Це може значно зменшити рівень впливу протягом усього робочого періоду. Для захисту оператора від впливу вібрації, визначте додаткові заходи безпеки, такі як: ретельний догляд за інструментом і приладдям, тримання рук в теплі, і організація схеми роботи.





TR UYARI

Bu bilgi sayfasında verilen titreşim emisyon seviyesi, EN62841 standardında belirtilen standartlaştırılmış bir teste uygun olarak ölçülmüş ve bir aleti diğeriyle karşılaştırmak için kullanılabilir. On maruz kalma tespiti için kullanılabilir. Beyan edilen titreşim emisyon seviyesi aletin asıl uygulamalarını temsil etmektedir. Ancak alet, farklı aksesuarlarla veya yetersiz bakımlı olarak farklı uygulamalar için kullanılırsa titreşim emisyonu değişebilir. Bu durum toplam çalışma süresi boyunca maruz kalma seviyesini önemli ölçüde artırır.

Titreşime maruz kalma seviyesinin değerlendirilmesi aynı zamanda alet kapalı ve ardından çalışır ancak gerçek anlamda iş yapmadığı zamanlar da göz önünde bulundurulmalıdır. Bu durum toplam çalışma süresi boyunca maruz kalma seviyesini önemli ölçüde azaltır. Operatörü titreşimin etkilerinden korumak için ilave güvenlik önlemleri belirleyin, örneğin: aletin ve aksesuarlarının bakımını yapmak, operatörün ellerini sıcak tutmak, çalışma modellerini organize etmek.

EL ΠΡΟΕΙΔΟΠΟΙΗΣΗ

Τα επίπεδα εκπομπών κραδασμών που παρέχονται στο παρόν ενημερωτικό φυλλάδιο, έχουν μετρηθεί βάσει τυποποιημένης δοκιμής που προβλέπεται στο EN62841 και μπορούν να συγκριθούν για τη σύγκριση του εργαλείου με άλλα. Μπορούν επίσης να χρησιμοποιηθούν για προκαταρκτική αξιολόγηση της έκθεσης. Τα δηλωμένα επίπεδα εκπομπών κραδασμών αφορούν τις βασικές εφαρμογές του εργαλείου. Ωστόσο, αν το εργαλείο χρησιμοποιείται για διαφορετικές εφαρμογές, με διαφορετικά εξαρτήματα ή με κακή συντήρηση, η εκπομπή κραδασμών μπορεί να διαφέρει. Αυτό μπορεί να αυξήσει σημαντικά το επίπεδο έκθεσης στη συνολική περίοδο εργασίας.

Η εκτίμηση των επιπέδων έκθεσης σε κραδασμούς θα πρέπει επίσης να λαμβάνει υπόψη τις χρονικές περιόδους κατά τις οποίες το εργαλείο είναι απενεργοποιημένο ή λειτουργεί χωρίς να χρησιμοποιείται σε συγκεκριμένη εργασία. Αυτό μπορεί να μειώσει σημαντικά το επίπεδο έκθεσης στη συνολική περίοδο εργασίας. Εφαρμόστε επιπρόσθετα μέτρα ασφαλείας για την προστασία του χειριστή από τις επιπτώσεις των κραδασμών, όπως τα εξής: συντηρείτε το εργαλείο και τα εξαρτήματα, διατηρείτε τα χέρια ζεστά, οργανώστε μοτίβα εργασίας.



EN RYOBI® WARRANTY APPLICATION CONDITIONS

In addition to any statutory rights resulting from the purchase, this product is covered by a warranty as stated below.

1. The warranty period is 24 months for consumers and commences on the date the product was purchased. This date has to be documented by an invoice or other proof of purchase. The product is designed and dedicated to consumer and private use only. So there is no warranty provided in case of professional or commercial use. This warranty applies only on new products.
2. There is a possibility to extend for a part of the range of power tools (AC/DC) the warranty period over the period described above using the registration on the www.ryobitools.eu website. The eligibility of products for extended warranty is clearly displayed in stores and / or on packaging and is contained within the product documentation. The end user is required to register his/her newly-acquired products online within 30 days from the date of purchase. The end user may register for the extended warranty in his/her country of residence if listed on the online registration form where this option is valid. Furthermore, end users must give their consent to the storage of their personal data that is required to be entered online. They must also accept the terms and conditions. The registration confirmation receipt, which is sent out by e-mail, and the original invoice showing the date of purchase will serve as proof of the extended warranty.
3. The warranty covers all defects of the product during the warranty period due to faults in workmanship or material at the purchase date. The warranty is limited to repair and/or replacement and does not include any other obligations including but not limited to incidental or consequential damages. The warranty is not valid if the product has been misused, used contrary to the instruction manual, or has been incorrectly connected to a power supply. This warranty does not apply to:
 - any damage to the product that is the result of improper or lack of maintenance
 - any product that has been altered or modified
 - any product where original identification (trade mark, serial number) markings have been defaced, altered or removed
 - any damage caused by non-observance of the instruction manual
 - any product not displaying the CE approval mark on the rating plate
 - any product that has been attempted to be repaired by a non-authorized warranty service centre or without prior authorisation by Techtronic Industries
 - any product connected to improper power supply (amps, voltage, frequency)
 - any damage caused by external influences (water, chemical, physical, shocks) or foreign substances
 - normal wear and tear spare parts
 - inappropriate use, overloading of the tool
 - use of non-approved accessories or parts
 - Power tool accessories provided with the tool or purchased separately, including but not limited to screw driver bits, drill bits, abrasive discs, sand paper and blades, lateral guide, etc.
 - Components (parts and accessories) subject to natural wear and tear, including but not limited to service & maintenance kits, carbon brushes, bearings, chuck, SDS drill bit attachment or reception, power cord, auxiliary handle, transport carry case, sanding plate, dust bag, dust exhaust tube, felt washers, impact wrench pins & springs, etc.
4. For servicing, the product must be sent or presented to a RYOBI authorised service station listed for each country in the following list of service station addresses. In some countries your local RYOBI dealer undertakes to send the product to the RYOBI service organisation. When sending a product to a RYOBI service station, the product should be safely packed without any dangerous contents such as petrol, marked with sender's address and accompanied by a short description of the fault.
5. A repair / replacement under this warranty is free of charge. It does not constitute an extension or a new start of the warranty period. Exchanged parts or products become our property. In some countries delivery charges or postage will have to be paid by the sender. Your statutory rights arising from the purchase of the product remain unaffected
6. This warranty is valid in the European Community, Switzerland, Iceland, Norway, Liechtenstein, Turkey and Russia. Outside these areas, please contact your authorised RYOBI dealer to determine if another warranty applies.

AUTHORISED SERVICE CENTRE

To find an authorised service centre near you, visit <http://uk.ryobitools.eu/header/service-and-support/service-agents>

FR RYOBI® CONDITIONS D'APPLICATION DE LA GARANTIE

En plus des droits statutaires liés à l'achat, ce produit est couvert par une garantie telle que décrite ci-dessous.

1. La durée de la garantie accordée au consommateur est de 24 mois à partir de la date d'achat. Cette date doit être authentifiée par une facture ou toute autre preuve d'achat. Le produit a été conçu en vue d'une utilisation strictement privée. Aucune garantie ne s'applique donc en cas d'utilisation professionnelle ou commerciale.
2. Il existe pour une partie de la gamme d'outils électroportatifs (AC/DC), une possibilité d'étendre la période de garantie au-delà de la période précédemment décrite en utilisant le formulaire d'enregistrement présent sur le site Internet www.ryobitools.eu. L'éligibilité d'un outil est clairement affichée dans les points de vente et/ou sur l'emballage et la documentation. L'utilisateur final doit enregistrer son/ses outil(s) nouvellement acheté(s) en ligne dans les 30 jours qui suivent la date d'achat. L'utilisateur a la possibilité de s'enregistrer pour l'extension de garantie dans son pays de résidence si celui-ci est listé dans le formulaire d'enregistrement en ligne où cette option est valide. L'utilisateur final doit donner son consentement pour l'enregistrement des données requises pour accéder au site et doit accepter les termes et conditions. La confirmation d'enregistrement, envoyée par courrier électronique, ainsi que la facture originale mentionnant la date d'achat serviront de preuve de l'extension de garantie.
3. La garantie couvre pendant la période de garantie les défauts des produits liés à la fabrication et aux matériaux à la date d'achat. La garantie est limitée à la réparation et/ou au remplacement et n'inclut aucune autre obligation, tel que, mais sans s'y limiter, les dommages accessoires ou indirects. La garantie est non valable en cas de mauvaise utilisation du produit, d'utilisation contraire aux instructions du mode d'emploi, ou en cas de branchement incorrect. Cette garantie ne s'applique pas pour :
 - tout dommage au produit résultant d'un mauvais entretien
 - tout produit ayant été altéré ou modifié
 - tout produit dont les marquages originaux d'identification (marque, numéro de série) ont été dégradés, altérés ou retirés
 - tout dommage causé par le non-respect des instructions du mode d'emploi
 - tout produit non CE
 - tout produit ayant subi une tentative de réparation par du personnel non qualifié ou sans autorisation préalable de Techtronic Industries
 - tout produit raccordé à une alimentation secteur non conforme (ampérage, voltage, fréquence)
 - tout dommage causé par des influences extérieures (chimiques, physiques, chocs) ou par des substances étrangères
 - l'usure normale des pièces consommables
 - une utilisation inappropriée, une surcharge de l'outil
 - l'utilisation de pièces ou accessoires non agréés
 - accessoires de l'outil électrique fournis avec l'outil ou achetés séparément. Cela comprend notamment les embouts de vissage, les forets de perceuse, les disques abrasifs, le papier de verre et les lames, le guide latéral
 - Les composants (pièces et accessoires) sujets à l'usure naturelle, ceci incluant notamment les mandrins, les charbons, adaptateurs SDS, les cordons d'alimentation, les poignées auxiliaires, les mallettes de transport, les plateaux de ponçage, les sacs collecteurs de poussière, les tubes d'extraction de poussière, les carrés de clé à choc, etc.
4. Si le produit doit être réparé, envoyez-le à un service après-vente agréé RYOBI dont vous trouverez ci-dessous la liste pour chaque pays. Dans certains pays, votre revendeur RYOBI se chargera d'envoyer le produit à un centre de réparation RYOBI. Lorsque vous envoyez un produit à un service après-vente RYOBI, celui-ci doit être correctement emballé, sans contenir aucun produit dangereux tel que de l'essence, et vous devez indiquer votre adresse ainsi qu'une courte description du problème.
5. Une réparation / un remplacement sous garantie est gratuit(e). Ceci ne constituera pas une extension de garantie ni un nouveau départ de la période de garantie. Les pièces ou les outils remplacés deviennent notre propriété. Dans certains pays, les frais de port devront être assumés par l'expéditeur. Vos droits statutaires restent inchangés.
6. Cette garantie est valable au sein de l'Europe, de la Suisse, de l'Islande, de la Norvège, du Liechtenstein, de la Turquie, de la Russie. En dehors de ces zones, veuillez contacter votre distributeur agréé RYOBI pour déterminer si une autre garantie s'applique.

SERVICE APRÈS-VENTE AGRÉÉ

Pour trouver le service après-vente agréé le plus proche, rendez-vous sur <http://fr.ryobitools.eu/header/service-and-support/service-agents>.

DE RYOBI® GARANTIEBEDINGUNGEN

Zusätzlich zu den gesetzlichen Rechten aus dem Kauf gilt für dieses Produkt die nachstehend aufgeführte Garantie.

- Der Garantiezeitraum beträgt für Verbraucher 24 Monate und beginnt mit dem Datum des Kaufs. Dieses Datum muss durch eine Rechnung oder einen anderen Kaufbeleg dokumentiert werden. Dieses Produkt wurde ausschließlich zur privaten Nutzung durch Verbraucher entwickelt. Für den Fall einer professionellen bzw. kommerziellen Nutzung besteht daher keine Garantie.
- Es besteht die Möglichkeit, für einen Teil des Sortiments der Elektrogeräte (AC/DC) den Garantiezeitraum über den oben genannten Zeitraum hinaus zu verlängern, indem der Verbraucher die Registrierung auf der Website www.ryobitools.eu durchführt. Die Berechtigung der Werkzeuge für die Garantieverlängerung ist deutlich im Geschäft und/oder auf der Verpackung beschrieben und in der Produktdokumentation erwähnt. Der Verbraucher muss das neu erworbene Gerät online innerhalb von 30 Tagen ab dem Kaufdatum registrieren. Der Verbraucher kann das Gerät zwecks Garantieverlängerung in seinem Wohnsitzland/Heimatland registrieren, wenn dieses Land auf dem Online-Registrierungsformular aufgeführt ist und die Option gültig ist. Darüber hinaus muss der Verbraucher seine Zustimmung zur Speicherung der Daten geben, die online eingegeben werden müssen, und er muss die allgemeinen Geschäftsbedingungen akzeptieren. Die Bestätigung der Registrierung, die per E-Mail versandt wird, und die Originalrechnung mit dem Kaufdatum gelten als Beleg für die Garantieverlängerung.
- Die Garantie deckt alle Defekte des Geräts während des Garantiezeitraums ab, die auf zum Zeitpunkt des Kaufs bestehende Verarbeitungs- oder Materialfehler zurückzuführen sind. Die Garantie beschränkt sich auf Reparatur und/oder Ersatz und beinhaltet keine anderen Verpflichtungen, insbesondere keinen Schadenersatz für Folge- oder Nebenschäden. Die Garantie gilt nicht, wenn das Gerät fehlerhaft eingesetzt wurde, gegenseitlich zur Bedienungsanleitung eingesetzt wurde oder falsch angeschlossen wurde. Die Garantie gilt nicht für Folgendes:
 - Schäden am Gerät, die auf unkorrekte Wartung zurückzuführen sind
 - Geräte, an denen Veränderungen vorgenommen wurden
 - Produkte, bei denen die ursprüngliche Identifizierung (Handelsmarke, Seriennummer) unleserlich gemacht, verändert oder entfernt wurde
 - Schäden durch Nichtbeachtung der Bedienungsanleitung
 - nicht-CE-zertifizierte Geräte
 - Geräte, an denen durch nicht-qualifizierte Personen oder ohne vorherige Genehmigung von Techtronic Industries Reparaturversuche vorgenommen wurden
 - Geräte, die an unkorrekte Energiequellen (Ampere, Volt, Frequenz) angeschlossen wurden
 - Schäden durch äußere Einflüsse (chemisch, physisch, Stöße) oder Fremdstoffe
 - normaler Verschleiß von Ersatzteilen
 - unangemessene Nutzung, Überlastung des Geräts
 - Nutzung nicht genehmigter Zubehörteile oder Ersatzteile
 - mit dem Gerät gelieferte oder separat erworbene Zubehörteile. Dieser Anschluss beinhaltet, ist aber nicht beschränkt auf Schraubendreher-Bits, Bohreinsätze, Schleifscheiben, Sandpapier und Klingen, Seitenführungen
 - Komponenten (Ersatzteile und Zubehörteile), die natürlichen und normalen Verschleißerscheinungen unterworfen sind, einschließlich aber nicht beschränkt auf: Service- und Wartungssätze, Kohlebürsten, Lager, Spannfutter, SDS-Bohreraufnahme /Bit-Adapter, Netzkabel, Zusatzhandgriff, Transportkoffer, Schleifteller, Staubbeutel, Staubabsaugrohr, Filzunterlegscheiben, Bolzen und Federn von Schlagschraubern usw.
- Zum Service muss das Gerät zu einer von RYOBI autorisierten Servicestation gebracht oder dorthin gesendet werden. Die Servicestationen für die einzelnen Länder sind in der folgenden Liste aufgeführt. In einigen Ländern sendet Ihr RYOBI-Händler vor Ort das Gerät an das RYOBI-Serviceunternehmen. Beim Einsenden an die RYOBI-Servicestation sollte das Gerät sicher verpackt sein, ohne gefährliche Inhalte wie Benzin, und es sollte mit der Adresse des Absenders und einer kurzen Beschreibung des Fehlers versehen sein.
- Eine Reparatur bzw. ein Ersatz gemäß dieser Garantie ist kostenlos. Hieraus ergibt sich weder eine Garantieverlängerung noch der Beginn eines neuen Garantiezeitraums. Die ausgetauschten Ersatzteile oder Werkzeuge gehen in unser Eigentum über. In einigen Ländern müssen die Zustellgebühren oder die Versandkosten vom Absender gezahlt werden. Ihre gesetzlichen Rechte aus dem Kauf des Geräts bleiben hiervon unberührt.
- Diese Garantie gilt in der Europäischen Union, der Schweiz, Island, Norwegen, Liechtenstein, der Türkei und Russland. Bitte wenden Sie sich außerhalb dieser Gebiete an Ihren autorisierten RYOBI-Händler, um festzustellen, ob eine andere Garantie gilt.

AUTORISIERTER KUNDENDIENST

Besuchen Sie <http://de.ryobitools.eu/header/service-and-support/service-agents>, um einen autorisierten Kundendienst in Ihrer Nähe zu finden.

ES CONDICIONES DE APLICACIÓN DE LA GARANTÍA DE RYOBI®

Además de cualquier derecho legal derivado de la compra, este producto está cubierto por una garantía que se indica a continuación.

- El periodo de garantía es de 24 meses para consumidores y comienza en la fecha en que se compra el producto. Dicha fecha debe documentarse con una factura u otro comprobante de compra. El producto está diseñado y concebido únicamente para el uso privado del consumidor. Por lo tanto, no se ofrece garantía en caso de uso profesional o comercial.
- Existe la posibilidad de ampliar el periodo de garantía respecto a una parte de la gama de herramientas eléctricas (CA/CC) durante el periodo descrito más arriba y mediante el registro en el sitio web www.ryobitools.eu. La elegibilidad de las herramientas para que se amplíe el periodo de garantía se muestra claramente en las tiendas o en el embalaje y está incluida en la documentación del producto. El usuario final tiene que registrar en línea sus herramientas recientemente adquiridas en un plazo de 30 días a partir de la fecha de compra. El usuario final podrá registrarse para obtener la garantía ampliada en su país de residencia si este aparece en la lista del formulario de registro en línea cuando esta opción sea válida. Además, los usuarios finales deberán dar su consentimiento al almacenamiento de los datos necesarios para el acceso en línea y tienen que aceptar los términos y condiciones. El recibo de confirmación de registro, que se envía por correo electrónico, y la factura original que muestra la fecha de compra servirán como comprobante para la garantía ampliada.
- La garantía cubre todos los defectos del producto durante el periodo de garantía debido a fallos de mano de obra o material en la fecha de compra. La garantía se limita a la reparación o sustitución y no incluye ninguna otra obligación como, por ejemplo, daños accidentales o consecuentes. La garantía no es válida si se ha usado mal el producto, se ha usado contraviniendo el manual de instrucciones o se ha conectado de forma incorrecta. Esta garantía no es aplicable a:
 - ningún daño en el producto que sea consecuencia de un mantenimiento inadecuado
 - ningún producto que haya sido alterado o modificado
 - ningún producto en el que los marcados de identificación originales (marca comercial, número de serie) se hayan borrado, modificado o eliminado
 - ningún daño provocado por no seguir el manual de instrucciones
 - ningún producto que no sea CE
 - ningún producto que haya sufrido un intento de reparación por parte de un profesional no cualificado o sin la autorización previa de Techtronic Industries.
 - ningún producto conectado a un suministro eléctrico inadecuado (amperios, voltaje, frecuencia)
 - ningún daño causado por influencias externas (químicas, físicas, impactos) o sustancias extrañas
 - desgaste normal de piezas de repuesto
 - uso inadecuado, sobrecarga de la herramienta
 - uso de accesorios o piezas no aprobados
 - Accesorios de herramientas eléctricas proporcionados con la herramienta o comprados por separado. Tales exclusiones incluyen, entre otros, brocas de destornilladores, brocas de taladro, discos abrasivos, papel de lija y cuchillas, y guías laterales
 - Componentes (piezas y accesorios) sujetos a un desgaste natural, que incluyen, entre otros, equipos de servicio y mantenimiento, escobillas de carbono, cojinetes, pinzas, accesorio o recepción de broca de taladro SDS, cable eléctrico, manillar auxiliar, bolsa de transporte, hoja lijadora, bolsa de polvo, tubo de escape de polvo, disco de fieltro, pasadores y resortes de llave de impacto, etc.
- Para su mantenimiento, el producto debe enviarse o presentarse a una estación de servicio de RYOBI autorizada que figure en la siguiente lista de direcciones de estaciones de servicio por países. En algunos países, su distribuidor RYOBI local se responsabiliza de enviar el producto a la compañía de servicio de RYOBI. Cuando se envíe un producto a una estación de servicio de RYOBI, este debe estar empaquetado de forma segura sin contenidos peligrosos como gasolina, marcado con la dirección del remitente y acompañado de una breve descripción del fallo.
- Una reparación / sustitución con esta garantía es gratuita. No constituye una ampliación ni un nuevo comienzo del periodo de garantía. Las piezas o herramientas intercambiadas pasan a ser de nuestra propiedad. En algunos países, los gastos de envío o correo tendrá que pagarlos el remitente. Sus derechos legales derivados de esta compra de la herramienta no se verán afectados.
- Esta garantía es válida en la Unión Europea, Suiza, Islandia, Noruega, Liechtenstein, Turquía y Rusia. Fuera de estas zonas, póngase en contacto con su distribuidor de RYOBI autorizado para determinar si es aplicable otra garantía.

SERVICIO TÉCNICO AUTORIZADO

Para encontrar el servicio técnico autorizado más cercano, visite <http://es.ryobitools.eu/header/service-and-support/service-agents>

IT CONDIZIONI DI VALIDITÀ DELLA GARANZIA RYOBI®

In aggiunta ai diritti di legge risultanti dall'acquisto, il prodotto è coperto dalla garanzia sotto descritta.

- Il periodo di garanzia è di 24 mesi per i consumatori, a decorrere dalla data di acquisto del prodotto. La data deve essere documentata da una fattura o altra prova d'acquisto. Il prodotto è progettato e destinato solo all'utilizzo privato dei consumatori. Pertanto non viene fornita alcuna garanzia in caso di uso professionale o commerciale.
- Per una serie di utensili elettrici (CA/CC) è possibile prolungare il periodo di garanzia oltre quello descritto, registrandosi sul sito web www.ryobitools.eu. Gli utensili per i quali è possibile prolungare il periodo di garanzia sono chiaramente indicati nei negozi e/o sulle confezioni e nella documentazione dei prodotti. L'utente deve registrare online l'utensile acquistato entro 30 giorni dalla data di acquisto. L'utente può registrarsi per la garanzia prolungata nel proprio paese di residenza, se questo è elencato nel modulo di registrazione online dove questa opzione sia valida. Inoltre gli utenti devono fornire il proprio consenso alla conservazione dei dati da immettere online e devono accettare le condizioni generali. La conferma di registrazione, inviata tramite e-mail, e la fattura originale indicante la data di acquisto, costituiscono la prova della garanzia prolungata.
- La garanzia copre tutti i difetti del prodotto durante il periodo di garanzia, risultati da manodopera o materiali alla data di acquisto. La garanzia è limitata alla riparazione e/o sostituzione e non include alcun altro obbligo quali, a mero titolo esemplificativo, i danni incidentali o consequenziali. La garanzia non è valida se il prodotto è stato usato scorrettamente, in modo contrario al manuale di istruzioni o se è stato collegato in modo errato. La garanzia non è valida per:
 - qualsiasi danno al prodotto dovuto a manutenzione errata;
 - qualsiasi prodotto che sia stato alterato o modificato;
 - qualsiasi prodotto le cui marcature di identificazione originali (marchi di fabbrica, numero di serie) siano state cancellate, alterate o rimosse;
 - qualsiasi danno causato dalla non osservanza delle istruzioni del manuale;
 - qualsiasi prodotto privo di omologazione CE;
 - qualsiasi prodotto che sia stato sottoposto a un tentativo di riparazione da parte di un professionista non qualificato oppure senza la previa autorizzazione di Techtronic Industries;
 - qualsiasi prodotto collegato a un'alimentazione errata (per ampere, tensione, frequenza);
 - qualsiasi danno causato da influenze esterne (chimiche, fisiche, urti) o sostanze estranee;
 - la normale usura delle parti di ricambio;
 - uso inappropriato, sovraccarico dell'utensile;
 - uso di accessori o parti non omologate;
 - accessori per utensili elettrici forniti con l'utensile o acquistati separatamente. Questa esclusione comprende, a mero titolo esemplificativo, punte per cacciaviti, punte per trapani, dischi abrasivi, carta vetrata, lame e guide laterali;
 - componenti (parti e accessori) soggetti alla normale usura compresi, a mero titolo esemplificativo, kit di servizio e manutenzione, spazzole al carbonio, cuscinetti, mandrini, attacchi per punte a vite autopoterforante, cavi di alimentazione, maniglie ausiliarie, custodie di trasporto, piastre di levigatura, sacchetti per la polvere, tubi di scarico della polvere, rondelle di feltro, perni e molle per avvitatori ecc.
- Per la manutenzione il prodotto dev'essere spedito o portato presso uno dei centri assistenza autorizzati RYOBI elencati per ogni paese nel seguente elenco di indirizzi dei centri. In alcuni paesi il rivenditore locale RYOBI si incarica di inviare il prodotto all'organizzazione di assistenza RYOBI. Quando si invia un prodotto a un centro assistenza RYOBI, imballarlo in modo sicuro senza contenuti pericolosi come la benzina, apporre l'indirizzo del mittente e accompagnarlo da una breve descrizione del guasto.
- La riparazione/sostituzione ai sensi della presente garanzia è gratuita. Non costituisce un prolungamento o un nuovo inizio del periodo di garanzia. Le parti o gli utensili scambiati diventano di nostra proprietà. In alcuni paesi i costi di consegna o di spedizione postale devono essere pagati dal mittente. I diritti di legge derivanti dall'acquisto dell'utensile rimangono inalterati.
- La presente garanzia è valida in Unione Europea, Svizzera, Islanda, Norvegia, Liechtenstein, Turchia e Russia. Al di fuori di tali aree contattare il rivenditore autorizzato RYOBI per sapere se è valida un'altra garanzia.

CENTRO SERVIZI AUTORIZZATO

Per individuare il più vicino centro servizi autorizzato, visitare il sito <http://it.ryobitools.eu/header/service-and-support/service-agents>.

NL RYOBI® GARANTIEVOORWAARDEN

Naast de wettelijke rechten die voortvloeien uit de aankoop, wordt dit product gedekt door een garantie, zoals hieronder staat vermeld.

- De garantietermijn voor consumenten bedraagt 24 maanden en gaat in op de datum waarop het product is gekocht. Deze datum moet worden gedocumenteerd met een factuur of een ander aankoopbewijs. Het product is uitsluitend ontworpen en bedoeld voor persoonlijk gebruik door consumenten. Er wordt dus geen garantie gegeven voor professioneel of commercieel gebruik.
- Voor een deel van ons aanbod van elektrische gereedschappen (AC/DC) is het mogelijk om de garantietermijn te verlengen over de boven beschreven termijn, met behulp van de website www.ryobitools.eu. De gereedschappen die in aanmerking komen voor de verlenging van de garantietermijn wordt duidelijk weergegeven in winkels en/of verpakkingen en staat beschreven in de productdocumentatie. De eindgebruiker moet zijn/haar nieuw gekochte gereedschappen binnen 30 dagen na aankoop online registreren. De eindgebruiker kan zich registreren voor de verlengde garantietermijn als zijn woonland staat vermeld op het online registratieformulier waar deze optie geldt is. Bovendien moeten eindgebruikers toestemming geven voor de opslag van de gegevens die online ingevuld moeten worden en moeten ze de algemene voorwaarden accepteren. Het ontvangstbewijs van de registratie, dat per e-mail wordt verzonden en de oorspronkelijke factuur met de aankoopdatum vormt het bewijs van de verlengde garantietermijn.
- De garantie dekt tijdens de garantietermijn alle gebreken van het product vanwege defecten in vakmanschap of materiaal op de aankoopdatum. De garantie is beperkt tot reparatie en/of vervanging en bevat geen andere verplichtingen, waaronder maar niet beperkt tot incidentele of gevolgschade. De garantie is niet geldig als het product is misbruikt, in strijd met de gebruiksaanwijzing wordt gebruikt of onjuist is aangesloten. Deze garantie geldt niet voor:
 - alle schade aan het product die het gevolg is van onjuist onderhoud
 - elk product dat is veranderd of aangepast
 - elk product waar de oorspronkelijke identificatie (handelsmerk, serienummer) is beschadigd, gewijzigd of verwijderd
 - alle schade die is veroorzaakt door het niet opvolgen van de gebruiksaanwijzing
 - elk niet-CE-product
 - elk product waar een poging tot reparatie is gedaan door een niet-erkende professional of zonder voorafgaande toestemming door Techtronic Industries.
 - elk product dat is verbonden met een verkeerde voeding (amperage, spanning, frequentie)
 - alle schade die is veroorzaakt door externe invloeden (chemisch, fysisch, schokken) of vreemde stoffen
 - normale slijtage van reserveonderdelen
 - ongepast gebruik, overbelasting van het gereedschap
 - gebruik van niet-goedgekeurde accessoires of onderdelen
 - gereedschapsaccessoires die bij het gereedschap worden geleverd of afzonderlijk zijn aangeschaft. Zulke uitzonderingen bevatten, maar niet beperkt tot schroevendraaierbits, boorbits, slijpschijven, schuurpapier en zagen, laterale geleiding
 - Componenten (onderdelen en accessoires) die onderhevig zijn aan natuurlijke slijtage, waaronder maar niet beperkt tot service-onderhoudsets, koelstofborstels, lagere, boorkoppen, SDS boorbitbevestigingen of ontvangers, stroomsoeren, hulpprepen, transporttassen, schuurplateaus, stofzakken, stofafvoerbuizen, vilttringen, pennen en veren van slagmoersleutels, etc.
- Voor onderhoud moet het product worden verzonden of gebracht naar een erkend servicecentrum van RYOBI die voor elk land staan vermeld in de volgende lijst met adressen voor servicecentra. In sommige landen zal uw lokale RYOBI-dealer het product verzenden naar de RYOBI-serviceorganisatie. Wanneer u het product naar een servicecentrum van RYOBI verzendt, moet het product veilig worden verpakt zonder enige gevaarlijke inhoud, zoals benzine, met het adres van de afzender en vergezeld van een korte beschrijving van het defect.
- Een reparatie/vervanging die onder deze garantie valt is gratis. Het vormt geen verlenging of een nieuwe start van de garantietermijn. Verwisselde onderdelen of gereedschappen worden ons eigendom. In sommige landen moeten de verzendkosten door de afzender worden betaald. Uw wettelijke rechten die voortvloeien uit de aankoop van het gereedschap blijven onaangetaast.
- Deze garantie is geldig in de Europese Gemeenschap, Zwitserland, Usland, Noorwegen, Liechtenstein, Turkije en Rusland. Buiten deze gebieden moet u contact opnemen met uw erkende RYOBI-dealer om vast te stellen of er een andere garantie van toepassing is.

GEAUTORISEERD ONDERHOUDSCENTRUM

Om een geautoriseerd onderhoudscentrum in uw buurt te vinden, surf u naar <http://nl.ryobitools.eu/header/service-and-support/service-agents>.

PT CONDIÇÕES DE APLICAÇÃO DA GARANTIA RYOBI®

Para além de quaisquer direitos previstos por lei resultantes da compra, este produto está coberto por uma garantia conforme descrição abaixo.

- O período da garantia é de 24 meses para consumidores particulares e inicia-se na data de compra do produto. Esta data tem de ser documentada por uma factura ou por outra prova de compra. O produto foi concebido para e destina-se apenas a consumidores particulares e uso privado. Assim, não é dada garantia em caso de utilização por profissionais ou uso comercial.
- Para uma parte da gama de ferramentas eléctricas (AC/DC) existe a possibilidade de prolongamento do período da garantia para além do período descrito acima, mediante registo no Web site www.ryobitools.eu. A elegibilidade das ferramentas para prolongamento do período da garantia é claramente visível nas lojas e/ou nas embalagens e está contida na documentação do produto. O utilizador final tem de fazer o registo online das suas ferramentas recém-adquiridas no prazo de 30 dias após a data de compra. O utilizador final pode fazer o registo para prolongamento da garantia no seu país de residência, desde que esteja listado no formulário de registo online e para os casos em que esta opção seja válida. Para além disso, os utilizadores finais têm de autorizar o armazenamento dos dados cujo preenchimento lhes for solicitado online e têm de aceitar os termos e as condições. O recibo de confirmação do registo é enviado por e-mail e, em conjunto com a factura original ostentando a data de compra, servirá de prova do prolongamento da garantia.
- A garantia cobre todos os defeitos do produto durante o período da garantia devidos a defeitos de fabrico ou de material à data da compra. A garantia está limitada à reparação e/ou substituição e não inclui quaisquer outras obrigações, incluindo mas não se limitando a, perdas complementares ou indirectas. A garantia não é válida se o produto tiver sido utilizado incorrectamente, utilizado de forma contrária ao Manual de Instruções ou se as respectivas ligações tiverem sido feitas incorrectamente. Esta garantia não se aplica ao seguinte:
 - quaisquer danos ao produto que sejam resultado de manutenção incorrecta
 - qualquer produto que tenha sido alterado ou modificado
 - qualquer produto cujas marcações de identificação de origem (marca comercial, número de série) tiverem sido apagadas, alteradas ou retiradas
 - quaisquer danos causados pelo incumprimento do Manual de Instruções
 - qualquer produto que não seja da Comunidade Europeia
 - qualquer produto ao qual tenha sido feita, ou tentada fazer, uma reparação por outra pessoa que não um profissional habilitado ou sem autorização prévia da Techtronic Industries.
 - qualquer produto ligado a uma fonte de alimentação eléctrica incorrecta (Amperes, Voltagem e Frequência)
 - qualquer dano causado por influências externas (químicas, físicas, impactos) ou substâncias estranhas
 - desgaste e degradação normal de sobresselentes
 - utilização incorrecta, sobrecarga da ferramenta
 - utilização de acessórios ou peças não aprovados
 - acessórios para ferramentas eléctricas fornecidos com a ferramenta ou comprados em separado. Estas exclusões incluem mas não se limitam a, pontas de aparafusadora, brocas, discos abrasivos, papel de lixa e lâminas, guia lateral
 - Componentes (peças e acessórios) sujeitos a desgaste e degradação natural, incluindo mas não se limitando a, Kits de Assistência e Manutenção, escovas de carvão, roletamentos, bucha, acessórios ou recepções de brocas SDS, cabos eléctricos, pegas auxiliares, estojos de transporte, placas de lixagem, sacos de poeiras, tubos de saída de poeiras, anilhas de feltro, pinos e molas da aparafusadora de impacto, etc.
- Para assistência, o produto tem de ser enviado para, ou apresentado em, um posto de assistência autorizado RYOBI, conforme listado para cada país na lista de moradas de postos de assistência seguinte. Nalguns países, o seu concessionário RYOBI local encarrega-se de enviar o produto para a organização de assistência RYOBI. Quando enviar um produto para um posto de assistência RYOBI, o produto deve ser embalado de forma segura, sem conter nenhuns conteúdos perigosos (por exemplo, gasolina), marcado com o endereço do remetente e acompanhado por uma breve descrição da avaria.
- Uma reparação/substituição ao abrigo desta garantia é gratuita. Não constitui um prolongamento a, nem um novo início de, o período da garantia. As peças ou ferramentas substituídas tornam-se propriedade nossa. Nalguns países, o remetente terá de pagar os custos de entrega ou a remessa postal. Os seus direitos previstos por lei resultantes da compra da ferramenta mantêm-se inalterados
- Esta garantia é válida na Comunidade Europeia, Suíça, Islândia, Noruega, Liechtenstein, Turquia e Rússia. Fora destas áreas, entre em contacto com o seu concessionário autorizado RYOBI para determinar se existe outra garantia aplicável.

CENTRO DE ASSISTÊNCIA AUTORIZADO

Para encontrar um centro de assistência autorizado próximo de si, visite <http://pt.ryobitools.eu/header/service-and-support/service-agents>.

DA RYOBI® BETINGELSER FOR GARANTI

Udover lovbestemte rettigheder, som resulterer af købet, er dette produkt dækket af en garanti, som anført herunder.

- Garantiperioden er 24 måneder for forbrugere og begynder på den dato, som produktet blev købt. Denne dato skal dokumenteres af en faktura eller andet bevis for køb. Produktet er udelukkende designet og dedikeret til forbrugere og privat brug. Så der ydes ingen garanti i tilfælde af professionel eller kommerciel brug.
- Der er en mulighed for at forlænge garantiperioden for en del af udvalget af elværktøj (AC/DC), hen over den ovenfor beskrivne periode vha. registrering på hjemmesiden www.ryobitools.eu. Bortsettelse af værktøjet til forlængelse af garantiperioden er tydeligt vist i butikker og/eller på emballage/og indeholdt i produktokumentationen. Slutbrugeren skal registrere hans/hendes nyligt indkøbte værktøj online indenfor 30 dage efter købsdatoen. Slutbrugeren kan registrere sig for den forlængede garanti i sit land, hvis han/hun er opført på den online registreringsformular, hvor denne mulighed er gyldig. Derudover skal slutbrugere give deres samtykke til at opbevare data, som er påkrævet at indtaste online, og de er nødt til at acceptere vilkår og betingelser. Registreringsbekræftelseskvitteringen, som sendes ud på e-mail, og den originale faktura, som viser købsdatoen, vil fungere som bevis for den forlængede garanti.
- Garanti dækker alle defekter, som et produkt måtte have i løbet af garantiperioden, og som skyldes produktionsfejl eller materialefejl på købsdatoen. Garantien er begrænset til reparation og/eller udfiskning og inkluderer ikke andre forpligtelser, inklusiv men ikke begrænset til tilfældige skader eller følgeskader. Garantien er ugyldig, hvis produktet er blevet misbrugt, brugt uden at overholde vejledningen, eller det er blevet forkert tilsluttet. Denne garanti gælder ikke:
 - Beskadigelse af produktet, som er et resultat af uegnet vedligeholdelse
 - Et produkt der er blevet ændret eller modificeret
 - Et produkt hvor de originale identifikationsmærkninger (varemærke, serienummer) er blevet ødelagt, ændret eller fjernet.
 - Enhver beskadigelse forårsaget af manglende overholdelse af vejledningen
 - Ethvert ikke CE-produkt
 - Ethvert produkt som er blevet forsøgt repareret af en ukvalificeret professionel eller uden tidligere autorisation af Techtronic Industries.
 - Ethvert produkt som er tilsluttet uegnet strømforsyning (ampere, spænding, frekvens)
 - Enhver skade forårsaget af ekstern påvirkning (kemisk, fysisk, chok) eller fremmedelementer
 - Normal slid på reservedele
 - Uegnet brug, overbelastning af værktøjet
 - Brug af ikke-godkendt tilbehør eller dele
 - Elværktøjstilbehør som leveres med værktøjet eller købes separat. Sådanne undtagelser inkluderer men er ikke begrænset til skruetrækkerbits, bor, bits, slibeskiver, sandpapir og klinger, sidestyrt
 - Komponenter (dele og tilbehør) som er udsat for naturligt slid og ælde, inklusiv men ikke begrænset til Service- og vedligeholdelsessæt, kulbrøster, lejer, bøsninger, påsætning eller modtagelse af SDS-bor, El ledning, hjælpehåndtag, transporttaske, sandplade, støvpose, støvdudstødningslange, filtskiver, nåle og fjedre slagngøle etc.
- For eftersyn skal produktet sendes til eller præsenteres for en RYOBI-autoriseret service værksted, som er oplyst for hvert land i den følgende liste over service værksted adresser. I nogle lande påtager din lokale RYOBI-forhandler sig ansvaret for at sende produktet til RYOBI-serviceorganisationen. Når et produkt sendes til en RYOBI-service værksted, skal det pakkes sikkert ind uden noget farligt indhold som benzin, mærkes med afsenderens adresse og med en kort beskrivelse af fejlen.
- En reparation/erstatning under denne garanti er gratis. Den udgør ikke en forlængelse eller en ny start på garantiperioden. Udvekslede dele eller værktøjer bliver vores ejendom. I nogle lande skal leveringsafgifter eller porto betales af afsenderen. Dine lovbestemte rettigheder i forbindelse med købet forbliver uanfægtede
- Denne garanti gælder i EU, Schweiz, Island, Norge, Liechtenstein, Tyrkiet og Rusland. Udenfor disse områder bedes du kontakte din autoriserede RYOBI-forhandler for at afgøre, om en anden garanti gælder.

AUTORISERED E SERVICE/VERKSTEDER

Find nærmeste autoriserede serviceværksted på <http://dk.ryobitools.eu/header/service-and-support/service-agents>.

SV RYOBI® ANVÄNDNINGSVILLKOR FÖR GARANTI

Förutom eventuella lagstadgade rättigheter som uppstår genom köpet, täcks den här produkten av en garanti som anges nedan.

1. Garantiperioden är 24 månader för konsumenter och börjar gälla från det datum då produkten köptes. Detta datum måste dokumenteras på en faktura eller annat köpbevis. Produkten är utformad och avsedd för konsumenter och privat bruk. Därmed tillhandahålls ingen garanti vid yrkesmässigt eller kommersiellt bruk.
2. Det finns möjlighet att förlänga garantiperioden för en del av utbudet för elverktyg (AC/DC) under den period som anges ovan genom att använda registreringen på webbplatsen www.ryobitools.eu. De verktyg som är berättigade till en förlängning av garantiperioden visas tydligt i butiker och/eller på förpackningen/och anges i produktdokumentationen. Slut användaren behöver registrera hans/hennes nyförvävade verktyg online inom 30 dagar från köpdatumet. Slut användaren kan registrera sig för den förlängda garantin i det land där han/hon bor om landet finns angivet i registreringsformuläret online och där detta alternativ är giltigt. Dessutom måste slut användaren ge sitt medgivande till lagring av data vilket krävs vid registrering online samt acceptera villkoren. Bekräftelsekvittot för registreringen som skickas ut via e-post och originalfakturan som visas köpdatumet kommer att gälla som bevis för den förlängda garantin.
3. Garantin täcker alla produktdefekter under garantiperioden som beror på brister i utförande eller material vid köpdatumet. Garantin är begränsad gällande reparation och/eller utbyte och inkluderar inte några skyldigheter inklusive men inte begränsat till oförutsedda skador eller följskador. Garantin är inte giltig om produkten har missbrukats, använts i strid med bruksanvisningen eller inte anslutits på rätt sätt. Denna garanti täcker inte:
 - eventuella skador på produkten som uppstått till följd av felaktigt underhåll
 - produkter som har ändrats eller modifierats
 - produkter där ursprungliga identifieringsmärkningar (varumärke, serienummer) har målats över, ändrats eller tagits bort
 - eventuella skador som uppstått till följd av att bruksanvisningen inte efterföljts
 - alla icke CE-produkter
 - eventuella produkter som har försökts repareras av en icke-kvalificerad yrkesman eller utan föregående medgivande från Technronic Industries.
 - eventuella produkter som anslutits till felaktig strömförsörjning (ampere, volt, frekvens)
 - eventuella skador som uppstått till följd av yttre påverkan (kemisk, fysisk, stöt) eller främmande ämnen
 - normalt slitage av reservdelar
 - olämplig användning, överbelastning av verktyget
 - användningen av icke-godkända tillbehör eller delar
 - tillbehör till elverktyg som medföljde verktyget eller köpts separat. Sådana undantag inkluderar men är inte begränsat till skruvmejselbits, borrbits, slipskivor, sandpapper, blad och sidoskena
 - Komponenter (delar och tillbehör) är föremål för naturligt slitage, inklusive men inte begränsat till service- och underhållsatsar, kolborstar, kullager, chuck, tillbehör eller tillhörande SDS-borrbitt, strömladd, hjälphandtag, transportväska, slipplatta, damppåse, dammtullblåsrör, filterbrickor, stift och fjädrar till mutterdragare osv.
4. Vid service måste produkten skickas eller uppvisas för en RYOBI- auktoriserad servicestation som står angiven för varje land i följande adresslista över servicestationer. I vissa länder tar din lokala RYOBI- återförsäljare på sig ansvaret att skicka produkten till RYOBI- serviceorganisationen. När en produkt skickas till en RYOBI- servicestation, ska produkten paketeras säkert utan något farligt innehåll såsom bensin, markeras med avsändarens adress samt en kort beskrivning av felet.
5. En reparation/ett utbyte under denna garanti är kostnadsfri. Det utgör inte en förlängning eller förnyelse av garantiperioden. Utbyta delar eller verktyg blir vår egendom. I vissa länder måste leveranskostnader eller porto betalas av avsändaren. Dina lagstadgade rättigheter som härrör från köpet av verktyget förblir opåverkade
6. Denna garanti är giltig i Europeiska gemenskapen: Schweiz, Island, Norge, Liechtenstein, Turkiet och Ryssland. Utanför dessa länder, kontakta din auktoriserade RYOBI-återförsäljare för att avgöra om en annan garanti gäller.

AUKTORISERAT SERVICECENTER

Du hittar närmaste auktoriserade servicecenter genom att gå till <http://se.ryobitools.eu/header/service-and-support/service-agents>.

FI RYOBI®-TAKUUN SOVELTAMISEHDOT

Tällä tuotteella on oston luomien lakisäasteiden oikeuksien ohella alla mainitun mukainen takuu.

1. Takuun kesto on kuluttajille 24 kuukautta ja takuuaika alkaa tuotteen ostopäivästä. Tämän päivämäärän tulee lukea laskussa tai muussa ostotositteessa. Tuote on suunniteltu ja tarkoitettu vain kuluttajien ja yksityiseen käyttöön. Takuu ei siis kata ammatti- eikä kaupallista käyttöä.
2. Joidenkin sähkötyökalujen (AC/DC) takuun kesto on mahdollista laajentaa yllä mainittua kestoä pidemmäksi verkkosivuston www.ryobitools.eu rekisteröinnin kautta. Työkalujen kelppoisuus takuujakson laajennukseen näkyy selkeästi myymälöissä ja/tai pakkauksissa ja/ tai tämä tieto sisältyy tuotedokumentaation. Loppukäyttäjän täytyy rekisteröidä vasta hankitut työkalut internetissä 30 päivän kuluessa ostopäivämäärästä. Loppukäyttäjät voi rekisteröidä laajennettun takuun kotimaassaan, jos se on luetteluna online-rekisteröintilomakkeessa, jossa mainitaan, missä tämä vaihtoehto on voimassa. Loppukäyttäjien täytyy lisäksi hyväksyä tietojen tallennus, jotka heidän täytyy antaa online-tilassa sekä ehdot. Rekisteröinnin vahvistuskuitti, joka lähetetään sähköpostitse, ja alkuperäinen ostopäivämäärän ilmaiseva lasku toimivat laajennettun takuun tositteina.
3. Takuu kattaa kaikki tuotteeseen takuuaikana tulevat viat, joiden aiheuttajina ovat tuotteessa ostopäivänä olleet valmistus- tai materiaali viat. Takuu on rajoitettu korjaukseen ja/tai vaihtoon eikä se sisällä mitään muuta velvoitteita mukaan lukien satunnais- ja seuranaisvahinkoja, mutta rajoittumatta niihin. Takuu ei päde, jos tuotetta on käylytty väärin, käyttöohjeen vastaisesti tai jos se on liitetty virheellisesti. Tämä takuu ei kata:
 - virheellisestä huollosta johtuvia vaurioita
 - muunnettua tai muutettua tuotetta
 - tuotetta, jonka alkuperäiset tunnistemerkinnät (tavaramerkki, sarjanumero) on turmeltu, muutettu tai poistettu
 - tämän käyttöoppaan laiminlyönnistä johtuvia vaurioita
 - ei-CE-tuotetta
 - tuotetta, jota on yrittänyt korjata epäpätevä ammattilainen tai joka on korjattu ilman Technronic Industriesin emakkoluopaa.
 - tuotetta, joka on liitetty virheelliseen toholähteeseen (ampeirit, jännite, taajuus)
 - ulkoisten vaikutusten (kemiallinen, fyysinen, iskut) tai vieraiden aineiden aiheuttamaa vauriota
 - normaaleja kuluvia vaurioita
 - virheellistä käyttöä, työkalun ylikuormitusta
 - ei-hyväksytyjen tarvikkeiden tai osien käyttöä
 - sähkötyökalun tarvikkeita, jotka on toimitettu työkalun mukana tai ostettu erikseen. Poissuljettuja osia ovat ruuvausterät, poranterät, hiomalaikat, hiekkapaperi ja terät, sivuohjain, näihin kuitenkaan rajoittumatta
 - Luonnollisesti kuluvia komponentteja (osia tai tarvikkeita), joihin sisältyvät huolto- ja kunnossapitoset, hiiliharjat, laakerit, terästäkat, SDS-porien kiinnitin tai istukka, virtajohto, apukahva, kuljetuskotelo, hiomalaikka, pölypussi, pölynpoistoputki, huopatiivisteet, iskunvääntimen pultit ja jouset yms. näihin kuitenkaan rajoittumatta.
4. Tuote on lähetettävä huollettavaksi valtuutettuun RYOBI-huoltoon tai näytettävä siellä. Niiden osoitteet kussakin maassa löytyvät seuraavasta luettelosta. Joissakin maissa paikallinen RYOBI-jälleenmyyjä huolehtii tuotteen lähetyksestä RYOBI-huolto-organisaatioon. Kun tuote lähetetään RYOBI-huoltoon, se täytyy pakata hyvin ilman vaarallisia aineita, kuten polttoainetta, ja pakkaukseen täytyy merkitä lähettäjän nimi sekä vain lyhyt kuvaus.
5. Takuun kattama korjaus/vaihto on maksuton. Se ei tarkoita takuuaajan laajennusta tai alkamista alusta. Vaihdetut osat tai työkalut siirtyvät valmistajan omistukseen. Joissakin maissa lähettäjän täytyy maksaa lähetyksustannukset tai postikulut. Työkalun oston luomat lakisäasteiset oikeudet pysyvät koskemattomina
6. Tämä takuu on voimassa Euroopan yhteisössä, Sveitsissä, Islannissa, Norjassa, Liechtensteinissa, Turkissa ja Venäjällä. Ota näiden alueiden ulkopuolella yhteyttä omaan valtuutettuun RYOBI-jälleenmyyjään ja selvitä, onko jotain muuta takuuta.

VALTUUTETTU HUOLTO

Voit etsiä lähimmän valtuutetun huollon sivulta <http://fi.ryobitools.eu/header/service-and-support/service-agents>.

NO RYOBI® GARANTIBETINGELSER

I tillegg til eventuelle lovbestemte rettigheter som følger av kjøpet, er dette produktet dekket av en garanti som angitt nedenfor.

- Garantiperioden er 24 måneder for konsumenter og gjelder fra den datoen som produktet ble kjøpt. Denne datoen skal dokumenteres med en faktura eller annet kjøpsbevis. Produktet er designet og beregnet kun til konsument- og privat bruk. Så det gis ingen garanti ved profesjonell eller kommersiell bruk.
- For en del av utvalget av elektriske verktøy (AC/DC) er det mulighet til å utvide garantiperioden i den perioden som er beskrevet ovenfor ved bruk av registreringer på nettsidene www.ryobitools.eu. Kvalifisering av verktøyene for en utvidelse av garantiperioden er tydelig vist i butikker og/eller på pakningen / og finnes innen produktdokumentasjonen. Sluttbrukeren må registrere sine nylig anskaffede verktøy online innen 30 dager etter kjøpsdato. Sluttbrukeren kan registrere seg for den utvidede garantien i sitt land hvis det er opplistet på online registreringsskjemaet der dette alternativet er gyldig. Videre må sluttbrukere gi sitt samtykke til oppbevaring av dataene som kreves for å gå online, og de må godta vilkår og betingelser. Registreringsbekreftelsen, som sendes ut på e-post, og den originale fakturaen som viser kjøpsdato, vil tjene som bevis for den utvidede garantien.
- Garantien dekker alle defekter i produktet under garantiperioden på grunn av defekter i utførelse eller materiale på kjøpsdato. Garantien er begrenset til å reparere og/eller erstatte og inkluderer ikke noen andre forpliktelser, inkludert, men ikke begrenset til, tilfældige eller følgesmessige skader. Garantien er ikke gyldig hvis produktet har blitt misbrukt, brukt på annen måte enn det som beskrives i bruksanvisningen eller er koblet til på feil måte. Denne garantien gjelder ikke for:
 - enhver skade på produktet som er resultat av utlilskrekkelig vedlikehold
 - ethvert produkt som har blitt endret eller modifisert
 - ethvert produkt der de originale identifiseringsmerkene (varemerke, serienummer) har blitt uleselig, er endret eller fjernet
 - enhver skade som forårsakes av ikke-overholdelse av instruksjonshåndboken
 - ethvert ikke-CE-produkt
 - ethvert produkt som har blitt forsøkt reparert eller av en ikke-kvalifisert fagperson eller uten tidligere autorisasjon fra Techtronic Industries.
 - ethvert produkt tilkoblet feil strømforsyning (ampere, spenning, frekvens)
 - enhver skade som er forårsaket av eksterne påvirkninger (kjemiske, fysiske, støt) og fremmede stoffer
 - normal slitasje og sliiteresvedeler
 - feil bruk, overbelastning av verktøyet
 - bruk av ikke-godkjent tilbehør eller deler
 - Elektrisk verktøytilbehør levert med verktøyet eller kjøpt separat. Slike ekskluderinger, inkludert, men ikke begrenset til skrutrekkerbits, drillbits, slipedisker, sandpapir og blader, lateral føring
 - Komponenter (deler og tilbehør) som er utsatt for naturlig slitasje, inkludert, men ikke begrenset til service- og vedlikeholdssett, karbonborster, lagre, chuck, SDS-borrbifeste eller -mottak, strømledning, hjelpehåndtak, transportbæreske, sandingsplate, støvpose, støvutslippsrør, filtpakninger, støtnøkkelpinner og fjær, osv.
- For service må produktet sendes eller fremlegges for en RYOBI-autorisert servicestasjon opplistet for hvert land i den følgende listen over servicestasjonsadresser. I noen land sender den lokale RYOBI-forhandleren produktet til RYOBI serviceorganisasjonen. Ved å sende et produkt til en RYOBI servicestasjon skal produktet være sikkert pakket uten noe farlig innhold, slik som bensin, merket med senderens adresse og fulgt av en kort beskrivelse av feilen.
- En reparasjon/erstatning under denne garantien er gratis. Den utgjør ingen forlengelse eller ny start av garantiperioden. Utvekslede deler eller verktøy blir vår eiendom. I noen land vil leveringskostnader eller frankering måtte betales av senderen. Dine lovbestemte rettigheter som oppstår fra kjøp av verktøyet forblir uberørt.
- Denne garantien er gyldig i EU, Sveits, Island, Norge, Liechtenstein, Tyrkia og Russland. Utenfor disse områdene ta kontakt med din autoriserte RYOBI-forhandler om en annen garanti gjelder.

AUTORISERT SERVICESENTER

For å finne et autorisert servicesenter i nærheten, gå til <http://no.ryobitools.eu/header/service-and-support/service-agents>.

RU УСЛОВИЯ ПРИМЕНЕНИЯ ГАРАНТИИ НА ПРОДУКЦИЮ RYOBI®

Помимо законных прав, возникающих при покупке, данное изделие покрывается гарантией в соответствии с приведенными ниже пунктами.

- Гарантийный период для покупателя составляет 24 месяца с даты покупки изделия. Дата покупки должна быть подтверждена полностью заполненным гарантийным талоном и чеком о покупке. Данное изделие предназначено только для частного использования покупателем. Поэтому гарантия не распространяется на использование в профессиональных или коммерческих целях.
- Предусмотрена возможность продления для части изделий линейки электроинструментов (AC/DC) гарантийного периода с помощью регистрации на сайте www.ryobitools.eu. Право инструмента на продление гарантийного периода четко указано в магазинах и / или на упаковке / и содержится в сопутствующей инструменту документации. Конечный пользователь должен зарегистрировать свой приобретенный инструмент в течение 30 дней с даты покупки. Конечный пользователь может зарегистрировать свой инструмент на продление гарантии в стране своего проживания, если она указана в форме онлайн-регистрации. Кроме того, конечный пользователь должен дать свое согласие на хранение данных, которые необходимо ввести в онлайн-форму и принять правила и условия. Подтверждение регистрации, которое вы получите по электронной почте, заполненный гарантийный талон и оригинальный чек, в котором указана дата покупки, будут служить доказательством продленной гарантии.
- Гарантия покрывает в течение гарантийного периода все дефекты качества или материала изделия на дату покупки. Гарантия ограничена ремонтом и / или заменой и не включает никакие другие обязательства, включая, но не ограничиваясь случайными или косвенными убытками. Гарантия становится недействительной, если изделие использовалось не по назначению, вопреки инструкциям, данным в Руководстве пользователя или было неправильно подключено. Настоящая гарантия не распространяется на:
 - любые повреждения изделия в результате неправильного технического обслуживания или недостаточного ухода за инструментом
 - любые изделия, подвергшиеся изменениям и модификации
 - любые изделия, оригинальные идентификационные отметки которого (торговая марка, серийный номер) были повреждены, изменены или удалены
 - любые повреждения, вызванные несоблюдением инструкций Руководства пользователя
 - любые изделия, не сертифицированные маркировкой "CE" для продажи в Европейском союзе
 - любые изделия, подвергшиеся попыткам ремонта неквалифицированным работником или без предварительного утверждения компанией Techtronic Industries.
 - любые изделия, подключенные к неправильному источнику питания (сила тока, напряжение, частота)
 - любые повреждения, вызванные внешними воздействиями (химические, физические, удары) или посторонними веществами
 - естественный износ запасных деталей
 - несоответствующее использование, перегрузка инструмента
 - использование неутвержденных аксессуаров и неофициальных запасных деталей
 - аксессуары электроинструментов, поставляемые с инструментом или приобретаемые отдельно. К этому списку относятся, но не исчерпывают его: сверла шуруповертов, дрелей, абразивные диски, наждачная бумага, лезвия и боковые направляющие компоненты (детали и аксессуары), подверженные естественному износу и разрыву, включая, но не ограничиваясь наборы для технического обслуживания, угольные щетки, подшипники, патроны, переходники SDS, кабели питания, дополнительные ручки, футляры для транспортировки, шифовальные подошвы, пылесборники, трубки для отвода пыли, войлочные шайбы, штыри и пружины ударных ключей и др.
- Для проведения технического обслуживания изделие следует направлять в авторизованные сервисные центры RYOBI, указанные для каждой страны в приведенном ниже списке адресов станций сервисного обслуживания. В некоторых странах местные дилеры RYOBI отправляют изделия в сервисные организации RYOBI. При отправке изделия в сервисный центр RYOBI, изделие должно быть безопасно упаковано и не содержать никаких опасных веществ, таких как бензин, должен быть подписан адрес отправителя и сопровождаться кратким описанием неисправности.
- Ремонт / замена проводится в рамках настоящей гарантии бесплатно. Он не продлевает гарантию и не начинает новый гарантийный период. Заменяемые детали и инструменты становятся нашей собственностью. В некоторых странах отправитель должен оплачивать стоимость отправки. Ваши законные права, возникшие при покупке инструмента, остаются неизменными.
- Данная гарантия действительна в Европейском Сообществе, Швейцарии, Исландии, Норвегии, Лихтенштейне, Турции и России. Вне указанных территорий обращайтесь к своему авторизованному дилеру RYOBI, чтобы узнать, применяются ли условия каких-либо других гарантий.

УПОЛНОМОЧЕННЫЙ СЕРВИСНЫЙ ЦЕНТР

Чтобы найти ближайший уполномоченный сервисный центр, обратитесь к веб-сайту <http://ru.ryobitools.eu/header/service-and-support/service-agents>.

PL WARUNKI GWARANCJI RYOBI®

Oprócz praw ustawowych wynikających z zakupu produkt jest objęty gwarancją, której warunki podano poniżej.

1. Okres gwarancyjny wynosi 24 miesiące dla konsumentów i rozpoczyna się w dniu zakupu produktu. Datę zakupu należy udokumentować fakturą lub innym dowodem zakupu. Produkt został zaprojektowany i jest przeznaczony do użytku konsumenckiego i prywatnego. W związku z tym gwarancja nie obejmuje zastosowań profesjonalnych i komercyjnych.
2. Istnieje możliwość wydłużenia okresu gwarancyjnego dla części asortymentu narzędzi ręcznych z napędem mechanicznym (AC/DC) poprzez zarejestrowanie produktu na stronie internetowej www.ryobitools.eu. Kwalifikowalność narzędzi do wydłużenia okresu gwarancyjnego jest wyraźnie określona w sklepach i/lub na opakowaniu oraz w dokumentacji produktu. Użytkownik końcowy musi zarejestrować nowo kupione narzędzia online w ciągu 30 dni od daty zakupu. Użytkownik końcowy może zarejestrować się w celu przedłużenia gwarancji w swoim kraju zamieszkania, jeżeli jest on wymieniony w formularzu rejestracji online, gdzie opcja ta obowiązuje. Ponadto użytkownicy końcowi muszą wyrazić zgodę na przechowywanie danych, wprowadzanych na stronie internetowej i zaakceptować regulamin. Dowodem wydłużenia gwarancji jest wysłane pocztą elektroniczną potwierdzenie rejestracji i oryginał faktury potwierdzającej datę zakupu.
3. Gwarancja obejmuje wszystkie wady produktu ujawnione w okresie gwarancyjnym wynikające usterek wykonania lub materiału obecnego w dniu zakupu. Gwarancja jest ograniczona do naprawy i/lub wymiany i nie obejmuje żadnych innych zobowiązań, w tym między innymi odpowiedzialności za szkody przypadkowe lub wtórne. Gwarancja nie obowiązuje, jeżeli produkt był nieprawidłowo używany, używany niezgodnie z instrukcją lub nie był prawidłowo podłączony. Gwarancja nie obejmuje:
 - uszkodzenia produktu wynikającego z nieprawidłowej konserwacji,
 - produktu, który został zmieniony lub zmodyfikowany,
 - produktu, którego oryginalne oznaczenie (znak towarowy, numer seryjny) zostało zniszczone, zmienione lub usunięte,
 - jakiegokolwiek uszkodzeń wynikających z nieprzestrzegania instrukcji,
 - jakiegokolwiek produktu bez certyfikatu CE,
 - jakiegokolwiek produktu, który próbowano naprawiać z pomocą niewykwalifikowanej osoby lub bez uzyskania wcześniejszej zgody firmy Techtronic Industries.
 - jakiegokolwiek produktu podłączonego nie prawidłowego źródła zasilania (nieprawidłowe napięcie prądu, napięcie, częstotliwość),
 - jakiegokolwiek uszkodzeń spowodowanych wpływem czynników zewnętrznych (chemicznych, fizycznych, drgań) lub substancji obcych,
 - normalnego zużycia części zamiennych,
 - nieprawidłowego użycia, przeciążenia narzędzia,
 - stosowania niezatwierdzonych akcesoriów lub części,
 - akcesoriów narzędzi ręcznych z napędem mechanicznym dostarczonych z narzędziem lub kupionych oddzielnie. Takie wykluczenia obejmują, między innymi, wymienne ostrza wkrętaka, wiertła, tarcze cierne, papier ścierny i ostrza, prowadnicę boczną.
 - elementów (części i akcesoriów) podlegających naturalnemu zużyciu obejmujących, między innymi, zestawy do konserwacji i serwisu, szczotki węglowe, łożyska, uchwyt, przystawkę wiertła SDS, gniazdo, przewód zasilania, uchwyt pomocniczy, skrzynię transportową, płytę szlifierską, worek pyłowy, rurę odprowadzania pyłu, podkładki filcowe, kolki i sprężyny klucza udarowego itp.
4. W celu serwisowania produkt należy wysłać lub okazać w autoryzowanym punkcie serwisowym RYOBI znajdującym się na przedstawionym poniżej wykazie punktów serwisowych w poszczególnych krajach. W niektórych krajach lokalny dystrybutor produktów RYOBI podejmuje się wysyłki produktu do centrum serwisowego RYOBI. W przypadku wysyłki do punktu serwisowego RYOBI produkt — pozbawiony jakiegokolwiek niebezpiecznych substancji, na przykład benzyny — należy bezpiecznie zapakować i dołączyć adres nadawcy oraz krótki opis usterek.
5. Naprawa/wymiana w ramach niniejszej gwarancji jest bezpłatna. Nie stanowi jednak o przedłużeniu lub rozpoczęciu od nowa biegu okresu gwarancyjnego. Wymienione części lub narzędzia stają się naszą własnością. W przypadku niektórych krajów nadawca będzie musiał uregulować koszty dostawy lub opłaty pocztowe. Prawa ustawowe wynikające z zakupu narzędzia pozostają niezmienione.
6. Niniejsza gwarancja obowiązuje w Unii Europejskiej, Szwajcarii, Islandii, Norwegii, Liechtensteinie, Turcji i Rosji. Poza tymi obszarami należy skontaktować się z autoryzowanym dostawcą produktów RYOBI i ustalić, czy obowiązuje inna gwarancja.

AUTORYZOWANY PUNKT SERWISOWY

Najbliższy autoryzowany punkt serwisowy można wyszukać w witrynie internetowej <http://pl.ryobitools.eu/header/service-and-support/service-agents>.

CS ZÁRUČNÍ PODMÍNKY RYOBI®

Kromě zákonných práv vyplývajících z koupě výrobku se na tento výrobek vztahuje také níže uvedená záruka.

1. Záruční doba pro spotřebitele je 24 měsíců a začíná datem nákupu výrobku. Datum musí být zaznamenáno na fakturě nebo jiném dokladu o koupi. Tento výrobek je navržen a určen pouze pro soukromé účely spotřebitelů. Záruka se tedy nevztahuje na profesionální nebo komerční využití výrobku.
2. U některých elektrických nástrojů (AC/DC) je možné záruční dobu prodloužit. K tomu je nutná registrace na stránkách www.ryobitools.eu. Možnost prodloužení záruční doby výrobků je jasně uvedena v prodejních, popř. na obalech nebo v dokumentech o výrobku. Koncový uživatel musí svůj nový nástroj zaregistrovat online do 30 dnů od data nákupu. Koncový uživatel se může k prodloužení záruční doby zaregistrovat v zemi trvalého pobytu, pokud je tato uvedena na internetovém registračním formuláři u výrobku, kde je tato možnost dostupná. Koncoví uživatelé musí dále souhlasit s uložením osobních údajů, která musí zadat na internetu, a přijmout obchodní podmínky. E-mail s původní registrací a původní faktura s datem koupě poslouží jako důkaz o prodloužení záruce.
3. Záruka se vztahuje na veškeré vady na výrobku v rámci záruční doby způsobené výrobními vadami nebo vadami materiálu v době koupě. Záruka je omezena na opravu, popřípadě výměnu a nezahrnuje žádná další povinnosti, včetně mimo jiné vedlejších či následných odškodnění. Záruka neplatí při použití výrobku k nevhodným účelům, v rozporu s uživatelskou příručkou nebo při nesprávném zapojení. Záruka se nevztahuje na:
 - veškeré škody na výrobku způsobené nesprávnou údržbou
 - veškeré produkty, které byly pozměněny nebo upraveny
 - veškeré produkty, kde byly původní identifikační prvky (obchodní značka, sériové číslo) poňeny, pozměněny nebo odstraněny
 - veškeré škody způsobené nedodržením pokynů uživatelské příručky
 - veškeré produkty bez CE certifikace
 - veškeré produkty, které se pokusil opravit nekvalifikovaný odborník nebo opravy bez předchozího svolení společnosti Techtronic Industries.
 - veškeré produkty zapojené do nesprávného elektrického zdroje (proud, napětí, frekvence)
 - veškeré škody způsobené externími vlivy (chemickými, fyzickými, nárazy) nebo cizími látkami
 - běžné opotřebování dílů
 - nevhodné použití, přetěžování nástroje
 - použití neschválených příslušenství nebo dílů
 - příslušenství k elektrickému nástroji poskytnuté s nástrojem nebo zakoupené samostatně. Tyto výjimky se vztahují mimo jiné na šroubovací bity, vrátky, brusné disky, brusný papír a čepele, postranní vodič lišty
 - komponenty (díly a příslušenství) podléhající přirozenému opotřebování, včetně mimo jiné servisních sad, karbonových kartáčů, ložisek, sklíčidla, SDS nástavce na vrtačí bity, napájecího kabelu, pomocné rukojeti, přepravního pouzdra, brusné desky, prachového vaku, výfukové prachové trubice, plstěných podložek, západek a pružin rážového utahákového trudu.
4. K provedení servisu musí být výrobek zaslán nebo předán do autorizovaného servisního centra společnosti RYOBI, jejichž adresy jsou uvedeny podle zemi v seznamu servisních center. V některých zemích z vás výrobek pošle servisní organizaci RYOBI sám prodejce výrobků této značky. Při zasílání výrobku do servisního centra RYOBI je potřeba výrobek bezpečně zabalit bez nebezpečného obsahu jako benzín, opatřit adresou odesílatele a přiložit krátký popis závady.
5. Oprava, popř. výměna v rámci této záruky je zdarma. Neznamená to prodloužení nebo začátek nové záruční lhůty. Vyměněné díly nebo nástroje přejdou do našeho vlastnictví. V některých zemích platí poštovné odesílatele. Vaše zákonná práva vyplývající z koupě tohoto nástroje zůstávají nedotčena.
6. Tato záruka platí v Evropském Společenství, Švýcarsku, Norsku, Lichtenštejnsku, Turecku, Rusku a na Islandu. Mimo tato území kontaktujte autorizovaného prodejce značky RYOBI, který zjistí, zda se na výrobek vztahuje jiná záruka.

POVĚŘENÉ SERVISNÍ STŘEDISKO

Pro nalezení nejbližšího pověřeného servisního střediska navštivte <http://cz.ryobitools.eu/header/service-and-support/service-agents>.

HU A RYOBI® GARANCIA ALKALMAZÁSÁNAK FELTÉTELEI

A vásárlásból adódó törvényben rögzített jogok mellett a termékre az alábbi garancia vonatkozik.

1. A fogyasztói garancia tartama 24 hónap, mely a termék vásárlásának napjával kezdődik. Ezt a dátumot számlával vagy a vásárlást igazoló egyéb dokumentummal kell bizonyítani. A termék rendeltetése csak fogyasztói és magáncéllú használattal. Ezért professzionális vagy kereskedelmi használat esetén a garancia nem érvényes.
2. A szerszámgépek (egyenáramú/váltóáramú) egy részénél a garancia időtartama a www.ryobitools.eu weblapon regisztrálva meghosszabbítható. Az áruházakban, a csomagolásban, illetve a termék dokumentációjában egyértelműen jelezzék, hogy az adott termék garanciája meghosszabbítható-e. A végfelhasználónak a vásárlás dátumától számított 30 napon belül regisztrálnia kell az újonnan vásárolt szerszámot. A végfelhasználó akkor regisztrálhatja a kiterjesztett garanciára, ha az ország, ahol lakik, fel van sorolva az online regisztrációs űrlapon azon országok között, ahol választható ez az opció. Ezenkívül a végfelhasználónak bele kell egyeznie az online regisztrálás során szükséges adatok tárolásába, és el kell fogadnia a felhasználási feltételeket. A kiterjesztett garanciát a regisztráció beérkezésétől e-mailben küldött visszaigazolás és a vásárlás dátumát tartalmazó eredeti számla igazolja.
3. A garancia a termék vásárlásakor fennálló, a gyártás során keletkezett hibákra és anyaghibákra érvényes a garanciális időtartamon belül. A garancia csak a javításra/cserére korlátozódik, és nem terjed ki semmilyen egyéb kötelezettségre, nem kizárólagosan ideértve a véletlen vagy szándékos rongálást. A garancia nem érvényes, ha a terméket nem megfelelően, a használati utasításban foglaltakkal ellentétben, illetve nem megfelelően csatlakoztatva használták. A garancia nem vonatkozik:
 - a terméket a nem megfelelő karbantartás következtében ért károsodásra
 - megváltoztatott vagy átalakított termékre
 - olyan termékre, melyben az eredeti azonosítókat (védjegy, sorozatszám) megromlították, megváltoztatták vagy eltávolították
 - a használati utasítás be nem tartásából eredő kárra
 - CE jelöléssel nem rendelkező termékekre
 - olyan termékre, melyet nem képzett, illetve a Techtronic Industries által nem fejlesztett szerelvény javított
 - nem megfelelő (áramerősségű, feszültségű, frekvenciájú) áramforrásra csatlakoztatott termékre
 - külső (végyi, fizikai, ütés) hatásokból vagy idegen anyagokból eredő károkkra
 - a cserélhető alkatrészek természetes kopására és elhasználódására
 - a szerszám helytelen használatára, túlterhelésére
 - nem jóváhagyott tartozékok és alkatrészek használatára
 - A szerszámmal adott vagy külön megvásárolt tartozékokra. Ilyenek például (de nem kizárólag) a csavarhűzőfejek, fúrószárak, csiszolókorongok, csiszolópapír, kések, oldallirányú terelők.
 - A természetes kopásnak, elhasználódásnak kitett alkatrészek és kiegészítők, például (de nem kizárólag) szerviz- és karbantartókészletek, szénkéfek, csapagyak, tokmány, SDS fúrószár csatlakozója, tápkábel, segédfogantyú, szállítók, csiszolólap, porzsák, porlevezető cső, filcaltátek, ütműves csavarbehajtó gép csapszege és rugója stb.
4. A terméket javításra el kell vinni egy meghatalmazott RYOBI szervizbe; ezeket az egyes országokhoz a következő listában találja. Egyes országokban a helyi RYOBI kereskedő vállalja a termék elszállítását a RYOBI szervizbe. A terméket veszélyes tartalom, például benzín nélkül csomagolja, a feladó címét feltüntetve, a hiba rövid leírásával együtt küldje el a RYOBI szervizbe.
5. A jelen garancia hatálya alatt végzett javítás, illetve csere ingyenes. Nem jelenti a garanciális időtartam újraindulását. A kicserélt alkatrészek és szerszámok a mi tulajdonunkba kerülnek. Egyes országokban a szállítás vagy postázás költségét a feladó viseli. A vevőnek a szerszám megvásárlásából adódó törvényes jogai nem változnak.
6. Jelen garancia az Európai Közösségben, Svájcban, Izlandon, Norvégiában, Liechtensteinben, Törökországban és Oroszországban érvényes. E területeken kívül kérdezze meg a RYOBI forgalmazót, hogy milyen garancia van érvényben.

HIVATALOS SZERVIZKÖZPONT

A legközelebbi hivatalos szervizközpont megtalálásához látogasson el a <http://hu.ryobitools.eu/header/service-and-support/service-agents>.

RO CONDIȚII DE APLICARE A GARANȚIEI PENTRU PRODUSELE RYOBI®

În plus față de condițiile statutare rezultate din achiziționarea acestui produs, acesta este acoperit de garanția stipulată mai jos.

1. Perioada de garanție este de 24 de luni pentru consumatori și începe de la data achiziționării produsului. Data de începere a garanției trebuie demonstrată cu o factură sau altă dovadă a cumpărării produsului. Produsul este destinat și conceput doar pentru utilizare în scopuri personale. Din acest motiv, nu se oferă garanție pentru utilizarea sa în scop profesional sau comercial.
2. Există posibilitatea de a extinde a perioadei de garanție pentru gama de unelte electrice (de CA/CC) peste perioada stipulată mai sus prin înscriserea produsului pe [website-ul www.ryobitools.eu](http://www.ryobitools.eu). Eligibilitatea pentru perioada de extindere a garanției este așigată în mod clar în magazinele de vânzare și/sau pe ambalaj sau este inclusă în documentația livrată împreună cu produsul. Utilizatorul final este obligat să-și înregistreze produsul online în termen de maxim 30 de zile de la data achiziției acestuia. Utilizatorul final poate înregistra produsul pentru garanția extinsă oferită în țara sa de rezidență dacă aceasta este listată în formularul de înregistrare online și dacă această opțiune este validă. În plus, utilizatorul final trebuie să-și dea acordul pentru stocarea datelor personale solicitate la înregistrarea online și trebuie să accepte termenii și condițiile. Mesajul de confirmare a înregistrării, trimis prin e-mail și factura originală cu data achiziției vor dovedi perioada de garanție extinsă.
3. Garanția acoperă toate defecțiunile produsului survenite în perioada de garanție datorate defectelor de execuție sau materialelor folosite, începând cu data achiziției acestuia. Garanția este limitată la reparare și/sau înlocuire și nu include alte obligații, inclusiv, dar fără a se limita la daune accidentale sau rezultate pe cale de consecință. Garanția își pierde valabilitatea dacă produsul este utilizat necorespunzător, utilizat neconform cu instrucțiunile de utilizare din manualul cu instrucțiuni sau conectat incorect. Garanția nu se aplică în cazul:
 - oricărei defecțiuni survenite în urma întreținerii necorespunzătoare a produsului
 - oricărui produs alterat sau modificat
 - oricărui produs la care inscripțiile cu datele de identificare (marca comercială, numărul de serie) au fost șterse, modificate sau îndepărtate
 - oricărei defecțiuni datorate neconformării cu instrucțiunile din manualul de utilizare
 - oricărui produs necertificat CE
 - oricărui produs asupra căruia au fost efectuate tentative de reparare de către personal necertificat sau fără autorizație prealabilă din partea Techtronic Industries.
 - oricărui produs conectat la o sursă de alimentare necorespunzătoare (curent, tensiune, frecvență)
 - oricărui defecțiuni datorate unor influențe externe (chimice, fizice, socuri) sau substanțe străine
 - uzurii și fisurării normale a pieselor de rezervă
 - utilizării neadecvate, suprasolicitării uneltei
 - utilizării de piese și accesorii neaprobate
 - accesoriilor pentru unelți furnizate odată cu acestea sau achiziționate separat. Acestea sunt excluse și aplică, dar fără a se limita la următoarele: burghie, biți de șurubelniță, discuri abrazive, hărte abrazive și lame de tăiere, ghidaje laterale
 - Componentele (piese și accesorii) supuse uzurii normale, care includ, fără a se limita la, kituri de întreținere și service, perii de carbon, rulmenți, mandrină, adaptor pentru burghie SDS, cordon de alimentare, manere auxiliare, cutie de transport, placă pentru șlefuit, suport praf, tub pentru evacuarea prafului, discuri de păsă, adaptoare și resorturi pentru cheile de strângere prin vibrație, etc.
4. Pentru efectuarea reparațiilor, produsul trebuie trimis sau adus la un centru de reparații autorizat RYOBI din lista următoare de centre de reparații prezentate pentru fiecare țară. În anumite țări, reprezentantul local RYOBI va trimite produsul spre reparare la sediul central de reparații RYOBI. Atunci când trimiteți produsul spre reparare la un centru de reparații RYOBI, acesta trebuie ambalat în siguranță, fără conținut periculos (cum ar fi benzina), marcat cu adresa expeditorului și însoțit de o scurtă descriere a defectului.
5. Repararea/înlocuirea în perioada de garanție este gratuită. Aceasta nu este însoțită de o prelungire sau o reinițiere a perioadei de garanție. Piesele sau uneltele schimbate devin proprietatea dvs. În anumite țări, taxele de expediție sau poștale vor fi suportate de expeditor. Drepturile dvs. statutare rezultate din achiziția produsului rămân neschimbate
6. Această garanție este valabilă în Comunitatea Europeană, Elveția, Islanda, Norvegia, Liechtenstein, Turcia și Rusia. În afara acestor zone, vă rugăm să contactați reprezentantul dvs. local RYOBI pentru a determina dacă se aplică alt tip de garanție.

CENTRU DE SERVICE AUTORIZAT

Pentru a găsi un centru de service autorizat lângă dvs., vizitați <http://uk.ryobitools.eu/header/service-and-support/service-agents>.

LV RYOBI® GARANTIJAS PIEMĒROŠANAS NOSACĪJUMI

Papildus jebkādam likumiskajām tiesībām, kuras rodas, veicot pirkumu, izstrādājums tiek nodrošināts ar tālāk tekstā noteikto garantiju.

1. Garantijas periods patērētājiem ir 24 mēneši, tā atskaitē tiek sākta no datuma, kurā veikta izstrādājuma iegāde. Šim datumam jābūt dokumentētam rēķinā vai citā pirkumu apliecināšā dokumentā. Izstrādājums ir radīts un paredzēts tikai patērētāja privātai lietošanai. Saistībā ar iepriekšminēto, garantija netiek nodrošināta profesionālas vai komerciālas lietošanas gadījumā.
2. Pastāv iespēja pagarināt daļas no elektroinstrumentu klāsta (Mainstrāvas/akumulatoru) garantiju ilgāk par iepriekš minēto periodu, izmantojot reģistrāciju interneta vietnē www.ryobitools.eu. Instrumenti, kas pakļauti garantijas perioda pagarināšanai, tiek skaidri apzīmēti veikalos un/vai uz iepakojuma un izstrādājumu komplektējošajā dokumentācijā. Gala lietotājam nepieciešams reģistrēt liegādāto jauno instrumentu 30 dienu laikā no pirkuma datuma. Gala lietotājs var reģistrēties pagarinātajai garantijai savā mitnes valstī, ja tā minēta tiesaisties reģistrācijas veidlapā, kurā šī iespēja ir aktīva. Bez tam, gala lietotājam ir jāsniedz piekrišana tiesaisties ievadīšanai nepieciešamo datu glabāšanai un jāpiekrīt noteikumiem un nosacījumiem. Reģistrācijas apstiprinājums, kas tiek nosūtīts, izmantojot e-pastu, un rēķina oriģināls, kurā norādīts iegādes datums, kalpo kā pagarinātās garantijas apstiprinājums.
3. Garantija attiecas uz visiem izstrādājuma defektiem garantijas periodā, kas saistīti ar ražošanas vai materiālu defektiem no pirkuma datuma. Šī garantija tiek ierobežota ar remontu un/vai nomaiņu un neietver jebkādas citas saistības, tajā skaitā, bet ne tikai, cēloņsakarīgos, mainītus vai noņemtus bojājumus. Garantija nav spēkā, ja izstrādājums ir nepareizi lietots, izmantots pretēji norādēm lietošanas rokasgrāmatā vai bijis nepareizi pieslēgts. Šī garantija netiek attiecināta uz:
 - jebkādiem izstrādājuma bojājumiem, kas radušies nepareizas uzturēšanas rezultātā
 - jebkuru izstrādājumu, kas ticis pārveidots vai mainīts
 - jebkuru izstrādājumu, kura oriģinālais identifikācijas (preču zīme, sērijas numurs) marķējums ir ticis nodzēsts, mainīts vai noņemts
 - jebkādiem bojājumiem, kuri radušies neievērojot norādes lietošanas rokasgrāmatā
 - jebkādam izstrādājumam bez CE sertifikācijas
 - jebkuru izstrādājumam, kura remontu mēģinājis veikt nekvalificēts personāls vai bez Technronic Industries iepriekšējas autorizācijas.
 - jebkuru izstrādājumam, kurš bijis pieslēgts neatbilstošu parametru (strāvas, sprieguma, frekvences) sprieguma avotam
 - jebkuriem bojājumiem, kuri radušies ārējas iedarbības (ķīmiskas, fiziskas, triecieni) vai vielu ietekmē
 - detaļu normāla lietošanas nodiluma rezultātā
 - nepareizas lietošanas vai instrumentu pārslodzes rezultātā
 - neapstiprinātu detaļu vai aprīkojuma lietošanas rezultātā
 - elektroinstrumentu aksesuāriem, kas atrodas instrumenta komplektācijā vai ir iegādāti atsevišķi. Šis izņēmums attiecināms uz, bet neaprobežojoties ar, skrūvgrīvēju uzgaļiem, urbjiem, abrazīvajiem diskkiem, smilšpapīru un asmeņiem, sānu vadotnēm
 - komponentiem (daļām un aksesuāriem), kas pakļauti normālam nodilumam, ieskaitot, bet neaprobežojoties ar Servisa un apkopju komplekti, oglekļa sukuks, gultņi, patrona, SDS urbju uztverējiem vai uzlikas, elektrības vads, papildus rukturis, transportēšanas un pārnēsāšanas kaste, stipmašīnas plāksne, putekļu maisis, putekļu izvadišanas caurule, paplākšņi, triecienatslēgu tapas un atsperes, u.t.t.
4. Servisa nodrošināšanai, izstrādājums ir jānodod pilnvarotā RYOBI servisa centrā, kas norādīts katrai valstij tālāk minētajā servisa centru adresu sarakstā. Dažās valstīs jūs vietējais RYOBI izplatītājs uzņemas izstrādājuma nosūtīšanu uz RYOBI servisa organizāciju. Nosūtīt izstrādājumu uz RYOBI servisa centru, izstrādājuma jābūt droši iepakotam, tas nedrīkst saturēt bīstamas vielas kā degvielu, sūtfūjumam jābūt marķētam ar sūtfūta adresi un īsu kļūmes aprakstu.
5. Remonts/nomaiņa šīs garantijas ietvaros ir bezmaksas. Tas nerada garantijas perioda pagarināšanu vai jaunu garantiju. Nomaiņās daļas vai instrumentu kļūst par mūsu īpašumu. Dažās valstīs piegādes vai pasta izmaksas būs jāapmaksā sūtfūtam. Jūsu likumiskās tiesības, kas nodibinās, iegādājoties instrumentu, paliek nemainīgas
6. Šī garantija ir spēkā Eiropas Kopienā, Šveicē, Islandē, Norvēģijā, Līhtenšteinā, Turcijā un Krievijā. Ārpus šīm teritorijām, lūdzu, sazinieties ar jūsu pilnvaroto RYOBI izplatītāju, lai noteiktu, vai ir piemērojama cita garantija.

AUTORIZĒTS APKALPOŠANAS CENTRS

Lai atrastu tuvāko autorizēto apkalošanas centru, apmeklējiet <http://uk.ryobitools.eu/header/service-and-support/service-agents>.

LT „RYOBI®“ GARANTIJOS TAIKYMO SĄLYGOS

Papildant bet kokias įstatymuose numatytas perkant atsirandančias teises, šiam įrenginiui taikoma toliau nurodyta garantija.

1. Vartotojams suteikiama 24 mėnesių trukmės garantija nuo įrenginio įsigijimo datos. Ši data turi būti nurodyta sąskaitoje faktūroje ar kitame pirkimą įrodančiame dokumente. Šis įrenginys skirtas tik vartotojų rinkai ir asmeniniam naudojimui. Todėl garantija netaikoma, jei įrenginys naudojamas profesiniams ar komerciniams reikmėms.
2. Įsigijus tam tikrus elektrinius įrenginius (AC/DC), suteikiama galimybė pratęsti garantiją, kad ji galiojūt ilgiau, nei nurodyta pirmiau, naudojantis registracija interneto svetainėje www.ryobitools.eu. Ar galima pratęsti įrenginio garantinį laikotarpį, aiškiai nurodoma parduotuvėse ir (arba) ant įrenginio pakuočės, ir (arba) įrenginio dokumentuose. Galutinis naudotojas turi užregistruoti savo naujai įsigytą įrenginį per 30 dienų nuo įsigijimo datos. Galutinis naudotojas gali registruotis išplėstinei garantijai savo gyvenamojoje šalyje, jei ji nurodyta internetinėje registracijos formoje, kurioje siūloma tokia galimybė. Be to, galutiniai naudotojai turi sutikti su duomenų, kuriuos reikia įvesti internetu, saugojimu ir sveatinės naudojimo sąlygomis. Kaip išplėstinės garantijos įrodymas naudojamas registracijos patvirtinimo tikras, atspausdinamas e. paštu, ir originali sąskaita faktūra, kurioje nurodyta įsigijimo data.
3. Ši garantija apima visus garantiniu laikotarpiu aptiktus įrenginio trūkumus, atsiradusius dėl gamybos arba medžiaginių defektų nuo įsigijimo datos. Ši garantija nįbjoama remontu ir (arba) pakeitimu, ji neapima jokių kitų įsipareigojimų, įskaitant (bet tuo neapsiribojant) šaltinius arba antrinius nuostolius. Garantija anuliuojama, jei įrenginys buvo naudojamas netinkamai, naudojamas ne pagal naudojimo instrukciją arba netinkamai prijungtas. Ši garantija netaikoma:
 - jokiai įrenginiui padarytai žalai, kurią lemė netinkama techninė priežiūra;
 - jokiam įrenginiui, kuris buvo keičiamas ar modifikuojamas;
 - jokiam įrenginiui, kurio originalūs identifikavimo ženklai (prekės ženklas, serijos numeris) buvo sugadinti, pakeisti arba pašalinti;
 - jokiai žalai, kurią lemė naudojimo instrukcijos nesilaikymas;
 - jokiems CE ženklų nepažymėtiems įrenginiams;
 - jokiam įrenginiui, kurį bandė remontuoti nekvalifikuoti asmenys arba kuris buvo remontojamas be „Technronic Industries“ leidimo;
 - jokiam įrenginiui, kuris buvo prijungtas prie netinkamo maitinimo tinklo (netinkamos srovės, įtampos, dažnio);
 - jokiai žalai, kurią lemė išorinis poveikis (cheminis, fizinis, smūgiai) arba pašalinės medžiagos;
 - dėvimosios dalimis;
 - netinkamam naudojimui, įrenginio perkrovai;
 - nepatvirtintų priedų arba dalių naudojimui;
 - su įrenginiu pateiktiems arba atskirai įsigytiems elektrinio įrenginio priedams. Šios išimty apima (tuo neapsiribojant) atsektuvų antgalius, gražtų antgalius, šlifavimo diskus, švitrinį popierių ir geležtes, šoninį kreiptuvą;
 - komponentams (dalims ir priedams), kurie natūraliai dėviis, įskaitant (bet tuo neapsiribojant) įprastines ir technines priežiūros rinkinius, anglinius šepetėlius, guolius, laikiklį, SDS gražtų antgalii priedą arba lizdą, maitinimo kabelį, pagalbini rankena, nešiojimo dėklą, šlifavimo diską, maišelį dulkmėms, dulkių ištraukimo vamzdelį, foto poveržles, smūginio veržliarakčio kaiščius ir spyruokles ir pan.
4. Prireikus atlikti priežiūros darbus, įrenginį reikia siųsti arba atvežti RYOBI įgaliotajam priežiūros centrui, nurodytam kiekvienos šalies priežiūros centrų adresų sąrašė. Kai kuriose šalyse vietinis RYOBI atstovas siunčia įrenginį RYOBI priežiūros organizacijai. Siunčiant įrenginį RYOBI priežiūros centrui, reikia saugiai jį supakuoti pašalinant visas pavojingas medžiagas, pvz., benzina, nurodyti ant pakuotės siuntytojo adresą ir pridėti trumpą gedimo aprašymą.
5. Pagal šią garantiją remontas / keitimas atliekami nemokamai. Tokie veiksmai netaikomi garantijos pratęsimui arba naujo garantinio laikotarpio pradžia. Dalys arba įrenginiai, kuriuos pakeitėme, tampa mūsų nuosavybe. Kai kuriose šalyse pristatymo ir pašto išlaidas turi padengti siuntėjas. Įstatymuose numatytos teisės, atsirandančios perkant įrenginį, lieka nepakeistos
6. Ši garantija galioja Europos bendrijoje, Šveicarijoje, Islandijoje, Norvegiijoje, Lichtenšteine, Turkijoje ir Rusijoje. Jei gyvenate ne šiose šalyse, kreipkitės į įgaliotąjį RYOBI atstovą ir sužinokite, ar jums taikoma kita garantija.

ĮGALIOTOS TECHNINĖS PRIEŽIŪROS CENTRAS

Jei norite surasti įgaliotą techninės priežiūros centrą netoli Jūsų, silankykite interneto svetainėje <http://uk.ryobitools.eu/header/service-and-support/service-agents>.

ET RYOBI® GARANTIIINGIMUSED

Lisaks toote ostust tulenevatele seadusjärgsetele õigustele, kehtib tootele ka alitoodud garantiiga.

1. Tarbijatele on garantiiaeg 24 kuud ja algab sellel kuupäeval, mil toode osteti. Selle kuupäeva tõestuseks on vaja arvet või mõnda teist tõendit ostu sooritamise kohta. Toode on mõeldud eratarbijatele ainult isiklikuks kasutamiseks. Seega ei kehti garantii ostu kasutamisel kutsetegevuses või kaubanduslikel eesmärkidel.
2. Teatud osale elektrilistele (vahelduvvoolu/alalisvoolu) tööriistadele on võimalik pikendada tõestuseks toode garantiiaega, kasutades toote registreerimist veebilehel www.ryobitools.eu. Teave tööriista võimaliku pikendatud garantiiaja kohta on selgelt esile toodud poodides ja/või pakendil / ning see sisaldub toote dokumentatsioonis. Lõpptarbijaja peab registreerima oma uued tööriistad interneti teel 30 päeva jooksul pärast ostmise. Lõppkasutaja võib registreerida pikendatud garantiiaja saamise oma elukohariigis, kui veebis olevas registreerimisvormis on see valik lubatud. Lisaks peavad kasutajad andma oma nõusoleku veebis nõutud sisestatavate andmete säilitamiseks ning nad peavad nõustuma tingimustega. E-posti teel saadetak registreerimise kinnitus ja arve originaal, kus on näha ostu sooritamise kuupäev, on pikendatud garantiiaja tõestuseks.
3. Garantii katab kõik defektid toote garantiiaja jooksul, kui ostu kuupäeval ilmnevad talitlus- või materjalivead. Garantii piirneb toote remondi ja/või väljavahetamisega ning ei sisalda muid kohustusi, muu hulgas ettenägematuid või kaudseid kahjusid. Garantii ei kehti, kui toodet ei ole kasutatud sihtotstarbelselt või kooskõlas kasutusjuhendiga või see on valesti ühendatud. Garantii ei kehti järgmistel põhjustel:
 - toode on kahjustatud vale hoolituse tõttu
 - toodet on muudetud
 - toote algsuunatud identifitseerimisnumbrid (kaubamärk, seerianumber) on rikutud, muudetud või eemaldatud
 - kahju on tekkinud kasutusjuhendi mittejärgmisest
 - tootel puudub CE-märgis
 - toodet on püüdnud remontida vastavat kvalifikatsiooni mitte omav isik või ilma firma Techtronic Industries eelneva loata.
 - toode on ühendatud valesse toiteallikasse (voolutugevus, pinge, sagedus)
 - välismõjude (keemilised, füüsilised, elektrilöögid) või võrkehade tekitatud kahju
 - tavapärase kulumine ja katkised varuosad
 - ebaõige kasutamine, tööriista ülekoormamine
 - heakskiitmata tarvikute või osade kasutamine
 - koos tööriistaga saadud või eraldi ostetud elektriliste tööriistade tarvikud. Need erandid puudutavad muu hulgas kruvikeeraja otsakuid, puuriterasid, lihvkettaid, lihvpaberit ja -tald, küljühikuid
 - Komponentid (osad ja tarvikud), mida iseloomustab kulumine ja vananemine, muu hulgas remondi- ja hoolduskomplektid, süsinikharjad, laagrid, padrunid, SDS-puuriterade tarvikud, toitejuhid, lisakäepide, transpordikott, lihvplaat, tolmuokott, tolmu väljalasketoru, viildist seibid, löökmutrivõtme viildid ja vedrud jne.
4. Hoolduseks peab toote saatma või viima RYOBI volitatud teenindusse, mille aadressi leiab järgnevat teeninduspunkti nimekirjast vastava riigi alt. Mõnedes riikides võtab kohalik RYOBI edasimüüja enda kanda kohustuse saata toode RYOBI teenindusorganisatsiooni. Toote saatmisel RYOBI teenindusse peab toode olema ohutult pakitud ja ei tohi sisaldada ohtlike aineid (nt bensini), kirjas peab olema saatja aadress ja lisatud vea lühikirjeldus.
5. Garantii alusel tehtavad remonditööd / asendamine on tasuta. See ei pikenda garantii kehtivusaega ega tähista uue garantiiaja algust. Väljavahetatud osad või tööriistad kuuluvad meile. Mõnedes riikides maksab kätetoimetamis- ja postikulud saatja. Teile jäävad kehtima tööriista ostust tulenevad seadusjärgsed õigused
6. See garantii kehtib Euroopa Ühenduse territooriumil, Šveitsis, Islandil, Norras, Liechtensteinis, Türgis ja Venemaal. Väljaspool neid piirkondi võtke ühendust volitatud RYOBI edasimüüjaga, et teha kindlaks kas kehtib mõni teine garantii.

VOLITATUD HOOLDUSKESKUS

Oma volitatud hoolduskeskuse leiate veebisaidilt <http://uk.ryobitools.eu/header/service-and-support/service-agents>.

HR UVJETI PRIMJENE JAMSTVA TVRTKE RYOBI®

Osim svim zakonskim pravima koja proizlaze iz kupnje, ovaj je proizvod pokriven jamstvom kako je navedeno u nastavku.

1. Jamstveno razdoblje za potrošače traje 24 mjeseca i počinje s datumom na koji je proizvod kupljen. Taj datum mora se dokumentirati računom ili drugim dokazom o kupnji. Proizvod je konstruiran i namijenjen samo za privatnu upotrebu korisnika. Stoga se jamstvo ne daje u slučaju profesionalne ili komercijalne uporabe.
2. Postoji mogućnost da se za dio asortimana električnih alata pokretanih izmjeničnom strujom (AC/DC) produži gore navedeno jamstveno razdoblje putem registriranja na mrežnom mjestu www.ryobitools.eu. Uvjeti koje je potrebno zadovoljiti kako bi se produžilo jamstveno razdoblje jasno su istaknuti u prodavaonicama i / ili na pakiranju / i nalaze se unutar dokumentacije proizvoda. Krajnji korisnik mora registrirati svoje novo kupljene alate na mreži u roku od 30 dana od datuma kupnje. Krajnji korisnik može se registrirati za produženo jamstvo u svojoj zemlji boravišta ako se nalazi na popisu u mrežnom obrascu za registraciju gdje je ta opcija važeća. Nadalje, krajnji korisnici moraju dati svoj pristanak na pohranu podataka koji su potrebni za mrežni ulazak i moraju prihvatiti odredbe i uvjete. Potvrda o prijemu registracije, koja se šalje putem e-pošte, kao i originalni račun s vidljivim datumom kupnje poslužit će kao dokaz produženog jamstva.
3. Jamstvo pokriva sve nedostatke proizvoda tijekom jamstvenog razdoblja koji su nastali zbog neispravnosti prilikom izrade ili materijala s datumom kupnje. Jamstvo je ograničeno na popravak i/ili zamjenu i ne obuhvaća nikakve druge obveze, uključujući, ali ne ograničavajući se na slučajne ili posjednične štete. Jamstvo ne vrijedi ako je proizvod bio zlorabljeno, korišten u suprotnosti s priručnikom s uputama ili ako je pogrešno spojen. Ovo jamstvo ne primjenjuje se na:
 - svaku štetu koja je na proizvodu nastala kao rezultat nepravilnog održavanja
 - svaki proizvod koji je promijenjen ili izmijenjen
 - svaki proizvod na kojem su izvorne identifikacijske oznake (žig, serijski broj) bile oštećene, izmijenjene ili uklonjene
 - svaku štetu prouzročenu neprimjerenom upotrebom priručnika s uputama
 - svaki proizvod koji nema oznaku CE
 - svaki proizvod koji je pokušao popraviti ne kvalificirani profesionalac ili onaj koji je popravljao bez prethodnog odobrenja tvrtke Techtronic Industries.
 - svaki proizvod koji je spojen na neprikladan izvor električnog napajanja (neodgovarajuća amperaza, napon, frekvencija)
 - svaku štetu prouzročenu unutarnjim utjecajima (kemijskim, fizikalnim, udarima) ili stranim tvarima
 - normalno habanje i trošenje rezervnih dijelova
 - neodgovarajuću uporabu, preopterećenje alata
 - upotrebu neodobrenog pribora ili dijelova
 - dodatnu opremu električnog alata isporučenu s alatom ili kupljenu odvojeno. Takvi izuzetci uključuju ali nisu ograničeni na vrhove odvijачa, svrdla bušilice, abrazivne diske, brusni papir i noževe, bočnu vodilicu
 - Komponente (dijelovi i pribor) podložne prirodnom trošenju i habanju, što uključuje, ali nije ograničeno na komplecte za servisiranje i održavanje, ugljične četkice, ležajeve, steznu glavu, nastavak ili priključak za svrdla za SDS bušilicu, priključni kabel, pomoćnu ručku, transportne torbe, brusnu ploču, vreću za prašinu, ispušnu cijev za prašinu, podloške od filca, udami ključ, zatici i opruge, itd.
4. Za potrebe servisiranja, proizvod se mora poslati ili odnijeti u ovlaštenu servisnu postaju tvrtke RYOBI navedenu na sljedećem popisu s adresama servisnih postaja u svakoj zemlji. U nekim zemljama, vaš lokalni RYOBI zastupnik obvezuje se da će poslati proizvod u servisnu organizaciju tvrtke RYOBI. Kada se proizvod šalje u neku servisnu postaju tvrtke RYOBI, proizvod se mora sigurno pakirati bez jednog od opasnih sadržaja kao što je benzin, na njemu mora pisati adresa pošiljatelja i mora biti popraćen kratkim opisom kvara.
5. Popravak / zamjena pod ovim jamstvom su besplatni. Oni ne predstavljaju produženje ili novi početak jamstvenog razdoblja. Zamijenjeni dijelovi ili alati postaju vaše vlasništvo. U nekim državama troškove isporuke ili poštarinu mora platiti pošiljatelj. Vaša zakonska prava koja proizlaze iz kupnje alata ostaju nepromijenjena
6. Ovo jamstvo vrijedi u Europskoj uniji, Švicarskoj, Islandu, Norveškoj, Lihtenštajnu, Turskoj i Rusiji. Izvan tih područja vas molimo da se obratite svojem ovlaštenom zastupniku tvrtke RYOBI kako biste utvrdili primjenjuje li se drugo jamstvo.

OVLAŠTENI SERVISNI CENTAR

Za pronalazjenje ovlaštenog servisnog centra pored vas posjetite <http://uk.ryobitools.eu/header/service-and-support/service-agents>.

SL POGOJI ZA VELJAVNOST GARANCIJE RYOBI®

Poleg morebitnih zakonsko določenih pravic, ki izvirajo iz nakupa, za ta izdelek velja spodaj navedena garancija.

- Garancijsko obdobje je za potrošnike 24 mesecev in začne teči z dnem nakupa izdelka. Ta datum mora biti dokumentiran z računom ali drugim dokazilom o nakupu. Izdelek je zasnovan in namenjen izključno za potrošniško zasebno uporabo. V primeru strokovne oziroma komercialne uporabe izdelka garancija ne velja.
- Obstaja možnost podaljšanja garancije na del naše ponudbe električnih orodij (AC/DC) prek obdobja garancije, opisaneega zgoraj, s pomočjo registracije na spletnem mestu www.ryobitools.eu website. Ustreznost orodij za podaljšanje garancijskega obdobja je jasno prikazana v trgovinah in/ali na embalaži oziroma je navedena v dokumentaciji izdelka. Končni uporabnik mora registrirati svoje novo orodje na spletu v 30 dneh po datumu nakupa. Končni uporabnik lahko registrira podaljšano garancijo v svoji državi bivanja, če je na obrazcu spletne registracije navedeno, da ta možnost velja za njegovo državo. Poleg tega morajo končni uporabniki podati svoje soglasje za shranjevanje podatkov, ki so potrebni za spletni dostop in morajo sprejeti pogoje in določila uporabe spletnega mesta. Potrdilo o registraciji, ki ga pošljemo prek e-pošte, in originalni račun, ki prikazuje datum nakupa, služita kot dokazilo o podaljšani garanciji.
- Garancija krije vse okvare izdelka, do katerih pride v garancijskem obdobju zaradi napak v izdelavi ali materialu, ki so bile prisotne ob datumu nakupa. Garancija je omejena na popravilo in/ali zamenjavo in ne vključuje nobenih drugih obveznosti, med drugim vključno z naključno ali posledično škodo. Garancija ne velja, če je bil izdelek napačno uporabljen, uporabljen v nasprotju z navodili iz priročnika za uporabo ali če ni bil pravilno povezan. Ta garancija ne velja za:
 - škodo na izdelku, ki je posledica neustreznega vzdrževanja
 - spremenjen ali prilagojen izdelek
 - izdelek, katerega originalna identifikacijska oznaka (blagovna znamka, serijska številka) je bil poškodovan, spremenjena ali odstranjena
 - škodo, ki je posledica neupoštevanja navodil iz priročnika za uporabo izdelka, ki nima oznake CE
 - izdelek, ki ga je poskušal opraviti nequalificiran strokovnjak ali ki je bil popraviljen brez predhodne odobritve s strani družbe Techtronic Industries.
 - izdelek, ki je bil povezan na neustrezno napajanje (amperska moč, napetost, frekvenca)
 - škodo, ki jo povzročijo zunanji vplivi (kemični, fizični, mehanski) ali tuje snovi
 - rezervne dele, ki so podvrženi običajni uporabi
 - neprimerno uporabo, preobremenitev orodja
 - uporabo neodobrenih dodatkov ali delov
 - Dodatno električno orodje, priloženo orodju ali kupljeno ločeno. Take izjeme so med drugim nastavki za izvijače, svedri, abrazivni diski, brusni papir in rezila, stranska vodila.
 - Komponente (sestavni in rezervni deli), ki so podvrženi običajni obrabi, med drugim vključno s kompleti za servisiranje in vzdrževanje, oglikovimi krtačkami, ležaji, vpenjali, svedrni priključki SDS ali sprejemnimi odprtini zanje, napajalnimi kablji, pomožnimi ročajji, prenosnimi kovički, brusnimi ploščami, vrečkami za prah, cevmi za izpuh prahu, tesnilni iz filca, iglami in vzmetni udamega ključa itd.
- Za servisiranje morate izdelek poslati ali prinesiti v pooblaščen servisni center družbe RYOBI, ki je naveden za vsako državo na naslednjem seznamu naslovov servisnih centrov. V nekaterih državah se vaš lokalni posrednik družbe RYOBI obveže, da bo poslal izdelek na servis družbe RYOBI. Ko pošiljate izdelek v servisni center družbe RYOBI, mora biti izdelek varno zapakiran in ne sme vsebovati nobenih nevarnih snovi, kot je npr. bencin, opremljen pa mora biti z naslovom pošiljatelja in vsebovati kratek opis napake.
- Popravilo/zamenjava v skladu s to garancijo sta brezplačni storitvi. To pa ne predstavlja podaljšanja ali ponovnega začetka garancijskega obdobja. Zamenjani deli ali orodja postanejo naša last. V nekaterih državah stroške dostave ali poštno plača pošiljatelj. Vaše zakonsko določene pravice, ki izvirajo iz nakupa orodja, ostajajo nespremenjene.
- Ta garancija velja v Evropski skupnosti, Švici, Islandiji, na Norveškem, v Lichtenštajnu, v Turčiji in Rusiji. Izven teh območij se obrnite na svojega pooblaščenega posrednika izdelkov RYOBI, dealer ki vam bo povedal, ali velja kakšna druga garancija.

POOBLAŠČEN SERVISNI CENTER

Pooblaščen servisni center blizu vas poiščite na <http://uk.ryobitools.eu/header/service-and-support/service-agents>.

SK ZÁRUČNÉ PODMIENKY RYOBI®

Na tento výrobok sa okrem všetkých zákonných práv, vyplývajúcich z nákupu, vzťahuje záruka v nasledovnom znení.

- Záručná doba pre spotrebiteľa je 24 mesiacov a začína plynúť odo dňa, kedy bol výrobok zakúpený. Tento dátum musí byť doložený faktúrou alebo iným dokladom o zakúpení. Výrobok je navrhnutý a určený pre spotrebiteľa a ten na súkromné používanie. Preto sa záruka sa neposkytuje v prípade použitia na profesionálne a komerčné účely.
- V prípade elektrického náradia (na striedavý/jednosmerný prúd AC/DC), existuje možnosť predĺženia záručnej doby oproti týmto bodom, uvedenej vyššie, s využitím on-line registrácie na webovej stránke www.ryobitools.eu. Označenie na náradí o nároku na predĺženie záručnej doby je zreteľne uvedené v obchodoch a/alebo na obale a je uvedené v dokumentácii k výrobku. Koncový používateľ musí zaregistrovať svoje novozískané náradie on-line do 30 dní odo dňa nákupu. Koncový používateľ sa môže zaregistrovať na predĺženie záruky v krajine svojho bydliska, ak je v on-line registračnom formulári uvedená táto možnosť. Ďalej musia koncoví používatelia ešte dať svoj súhlas k uchovávaniu údajov, ktoré je potrebné zadať on-line a musia súhlasiť s podmienkami. Potvrdenie o prijatí registrácie, ktorý je zasielané e-mailom a originál faktúra, v ktorej je uvedený dátum nákupu, slúžia ako dôkaz o predĺženej záruke.
- Záruka sa vzťahuje na všetky poruchy výrobku v záručnej dobe, spôsobené chybami materiálů alebo spracovania k dátumu nákupu. Táto záruka je obmedzená na opravu a/alebo výmenu a nezahŕňa ďalšie povinnosti, vrátane, okrem iných, náhodné alebo následné škody. Táto záruka je neplatná, ak bol výrobok nesprávne používaný, bol používaný v rozpore s návodom na použitie alebo bol nesprávne zapojený. Táto záruka sa nevzťahuje na:
 - akékoľvek poškodenie výrobku, ktoré bolo spôsobené nesprávnou obsluhou
 - akýkoľvek výrobok, ktorý bol zmenený alebo upravený
 - akýkoľvek výrobok, na ktorom bolo poškodené, upravené alebo odstránené identifikačné označenie (ochranná známka, výrobné číslo)
 - akékoľvek škody, spôsobené nedodržením návodu na obsluhu
 - akýkoľvek výrobok, ktorý neobsahuje označenie CE
 - akýkoľvek výrobok, ktorý sa pokúšal opraviť nequalifikovaný odborník alebo bol opravovaný bez predchádzajúceho súhlasu zo strany spoločnosti Techtronic Industries.
 - akýkoľvek výrobok, pripojený k nesprávnemu napájaciemu zdroju (ampéry, napätie, frekvencia)
 - akékoľvek poškodenia, spôsobené vonkajšími vplyvmi (chemickými, fyzikálnymi, nárazmi) alebo cudzorodými látkami
 - bežné opotrebovanie náhradných dielov
 - nevhodné používanie, preťažovanie nástroja
 - používanie neschváleného príslušenstva a dielov
 - príslušenstvo k elektrickému náradia, dodávané spolu s náradím alebo zakúpené oddelene. Takéto vylúčenia sa vzťahujú, okrem iného, na násady skrutkovačov, vrtáky, brusne kotúče, brusný papier a čepele, bočné vodiace lišty
 - Súčiastky (diely a príslušenstvo), ktoré podliehajú prirodzenému opotrebovaniu, okrem iného súpravy na servis a údržbu, uhličky, ložiská, skľučovadlá, SDS vrtáky a príslušenstvo, príloh alebo prijímanie, napájací kábel, pomocná rukoväť, prepravná skriňa, brusná doska, pracovné vrecko, výfuková trubica, pistené podložky, kotlíky a pružiny na rázový uťahovač atď.
- Na opravu musí byť výrobok odoslaný alebo doručený do autorizovaného servisného strediska RYOBI, uvedeného pre každú krajinu v nasledovnom zozname adries servisných stredísk. V niektorých krajinách miestny zástupca RYOBI preberá na seba záväzok zaslať tovar do servisnej organizácie RYOBI. Pri odoslaní výrobku do servisného strediska RYOBI je potrebné výrobok bezpečne zabaliť bez akéhokoľvek nebezpečného obsahu, ako je benzín, s vyznačením adresy odosielateľa, s krátkym popisom poruchy.
- Oprava/výmena je vrámci tejto záruky bezplatná. Neznamená to predĺženie záruky alebo spustenie novej záručnej doby. Vymenené diely alebo nástroje sa stávajú našim vlastníctvom. V niektorých krajinách náklady na odoslanie alebo vrátenie musí zaplatiť odosielateľ. Vaše zákonné práva, vyplývajúce z nákupu náradia, zostávajú nedotknuté.
- Táto záruka platí v Európskej únii, Švajčiarsku, Islande, Nórsku, Lichtenštajnsku, Turesku a Rusku. Ak sa nachádzate mimo týchto oblastí, obráťte sa na autorizovaného predajcu RYOBI na určenie, či sa dá uplatniť iná záruka.

AUTORIZOVANÉ SERVISNÉ CENTRUM

Ak chcete nájsť najbližšie autorizované servisné centrum, navštívte stránku <http://uk.ryobitools.eu/header/service-and-support/service-agents>.

BG УСЛОВИЯ ЗА ВАЛИДНОСТ НА ГАРАНЦИЯТА НА RYOBI®

В допълнение към законоустановените права, произтичащи от покупката, този продукт е обхванат от гаранцията, както е изложено по-долу.

- Гаранционният срок е 24 месеца за клиенти и започва да тече от деня на закупуване на продукта. Тази дата трябва да се докаже с фактура или друго доказателство за покупка. Продуктът е изработен и предназначен само за потребителска и лична употреба. Следователно не се дава гаранция в случай на използване от професионалисти или с търговска цел.
- Съществува възможност за удължаване на гаранционния срок за част от диалогана на гаранцията на електрически инструменти (AC/DC) след изтичането на описания тук чрез регистрация на уеб сайта www.ryobitools.eu. В магазините и/или на опаковката или вътре в документацията на продукта е показано ясно дали инструментът отговаря на условията за такова удължаване на гаранционния срок. Крайният потребител трябва да регистрира своите новопридобити инструменти онлайн в рамките на 30 дни от датата на покупка. Крайният потребител може да се регистрира за удължена гаранция в държавата си на пребиваване, ако е посочена във формуляра за онлайн регистрация като място, където тази опция е валидна. Освен това крайните потребители трябва да дадат съгласието си за съхранение на данните, които са задължителни за ползване онлайн, и трябва да приемат общите условия. Полученото потвърждение за регистрация, изпратено по електронна поща, и оригиналната фактура, показваща датата на покупка, ще служат като доказателство за удължената гаранция.
- Гаранцията покрива всички дефекти на продукта по време на гаранционния срок, които се дължат на проблеми в изработката или материалите към момента на покупката. Гаранцията е ограничена до ремонт и/или замяна и не включва други задължения, включително, но не само, случайни или косвени щети. Гаранцията е невалидна, ако продуктът е използван неправилно или в противоречие с ръководството с инструкции, както и ако е свързан неправилно. Тази гаранция не важи за:
 - щети по продукта в резултат на неправилна профилактика
 - продукти, които са били изменени или модифицирани
 - продукт, при който оригиналните маркировки за идентификация (търговска марка, серийен номер) са изтрети, променени или премахнати
 - повреда, причинена от неспазване на ръководството с инструкции
 - продукт без CE маркировка
 - продукт, за който е направен опит за ремонт от неквалифициран специалист или без предварително разрешение от Techtronic Industries.
 - продукт, свързан към неподходящо електрохранване (ампераж, волтаж, честота)
 - щети, причинени от външни влияния (химични, физични, удари) или чужди вещества
 - нормално износване на резервни част
 - неподходяща употреба, претоварване на инструмента
 - използване на неободбени аксесоари или части
 - Аксесоарите за електрически инструмент са предоставени с инструмента или се кулват отделно. Тези изключения включват, но не само, накрайници за отвертка, свердела, абразивни дискове, шкурка и остриета, страничен водач
 - Компоненти (части и аксесоари), подложени на естествено износване, включително, но не само, комплекти за обслужване и поддръжка, карбонови четки, лагери, патронник, приставка със средло SDS или приемно устройство, захванващ кабел, спомогателна ръкохватка, кутия за транспортиране, шлифовъчна пластина, торба за прах, тръба за отвеждане на прах, филцови шаблони, цифрове и пружини за винтоверти и др.
- За обслужване продуктът трябва да се изпрати или занесе на авторизиран сервиз на RYOBI, посочен за всяка държава в следния списък с адреси на сервиси. В някои държави местният търговец на RYOBI поема отговорността да изпрати продукта до сервизен център на RYOBI. При изпращане на продукт до сервиз на RYOBI той трябва да е опакован безопасно без опасо съдържание, напр. бензин, да е маркиран с адреса на подателя и придружен от кратко описание на повредата.
- Ремонът/замяната по силата на тази гаранция са безплатни. Те не водят до удължаване или подновяване на гаранционния срок. Сменените части или инструменти стават наша собственост. В някои държави таксите за доставка или изпращане трябва да се платят от подателя. Законоустановените ни права, произтичащи от закупуването на инструмента, остават незасегнати.
- Тази гаранция е валидна в Европейската общност, Швейцария, Исландия, Норвегия, Лихтенщайн, Турция и Русия. Извън тези области се свържете с упълномощения търговец на RYOBI, за да се установи дали е приложима друга гаранция.

УПЪЛНОМОЩЕН СЕРВИЗЕН ЦЕНТЪР

За да намерите упълномощен сервизен център близо до вас, посетете <http://uk.ryobitools.eu/header/service-and-support/service-agents>.

UK ГАРАНТИЙНИ УМОВИ ДЛЯ RYOBI®

Окрім загалом установених законом прав, що стосуються покупки, цей пристрій покривається гарантією, що зазначено нижче.

- Гарантійний період для споживачів складає 24 місяці і починається з моменту придбання цього пристрою. Ця дата повинна бути задокументована у гарантійному талоні або чеку. Цей пристрій був розроблений і призначений тільки для споживчого та приватного використання. У разі професійного або комерційного використання цього пристрою, він втрачає гарантію.
- Існує можливість подовжити гарантійний період для частини лінійки електричних інструментів (перемінного/постійного струму), понад період описаний вище за допомогою реєстрації на сайті www.ryobitools.eu. Пристрої, які мають право на подовження гарантійного періоду, мають чіткі позначки щодо цього в магазинах і / або на упакуванні / та документації до пристрою. Кінцевий користувач повинен зареєструвати його/її новопридбаний пристрій онлайн протягом 30 днів з дати покупки. Кінцевий користувач може зареєструватися для подовження гарантійного періоду в своїй країні постійного перебування, якщо вона є доступною у відповідній опції онлайн форми реєстрації. Крім того, кінцеві користувачі повинні дати свою згоду на зберігання даних, які необхідні для введення онлайн, а також вони повинні прийняти правила та умови. Отримання підтвердження реєстрації, яке відправляється на адресу електронної пошти, та оригінал гарантійного талона і зазначеною датою покупки буде служити доказом подовженої гарантії.
- Гарантія поширюється на всі дефекти пристрою протягом гарантійного терміну щодо недотримання стандартів виробництва або матеріалів на дату придбання. Гарантія обмежується ремонтом та/або заміною, та не включає в себе будь-яких інших зобов'язань, в тому числі, але необмежена у разі випадкових та подальших пошкоджень. Гарантія не діє, якщо пристрій використовувався ненадлежащим чином, всупереч інструкції з експлуатації або був неправильно підключений до мережі. Дана гарантія не поширюється на:
 - пристрої, що були пошкоджені у результаті неправильного технічного обслуговування;
 - пристрої, що були видозміннені або модифіковані;
 - пристрої, оригінальні ідентифікаційні (товарний знак, серійний номер) маркування яких було пошкоджене, змінено або видалено;
 - будь-які пошкодження, заподіяні недотриманням інструкції з експлуатації;
 - пристрої, що не мають маркування CE;
 - пристрої, що були відремонтовані некваліфікованим фахівцем або за відсутності попереднього дозволу від Techtronic Industries;
 - пристрої, підключені до невідповідного джерела живлення (сила току, напруги, частота);
 - будь-які пошкодження спричинені зовнішнім впливом (хімічним, фізичним, стрибком напруги) або сторонніми речовинами;
 - нормальну амортизацію запасних частин;
 - невідповідне використання, перевантаження пристрою;
 - використання не підтверджених запасних частин або аксесуарів;
 - приладдя до електронного інструменту, що постачається разом з пристроєм або купуються окремо. Такі винятки враховують але не є обмеженнями для наконечників викруток, свердел, абразивних дисків, наждачного паперу та лез, бічних напрямних – компоненти(частини та приладдя) з урахуванням нормального зношування, враховуючи, але без обмеження на комплекти профілактики та технічного обслуговування, вузькі штилки, підшипники, патрони, кріплення або прийом SDS свердел, кабелі живлення, додаткові рукоятки, чохла для транспортування, шліфувальні пластини, мішки для збору пилу, трубки виплопу, фетрові кльця, штирі і пружини гайковерту і т.д.
- Для обслуговування, пристрій має бути відправлений або поданий до одного з авторизованих сервісних центрів RYOBI, які перелічені для кожної країни у наступному переліку адрес сервісних центрів. У деяких країнах місцевий дилер RYOBI зобов'язується відправити пристрій до сервісного центру RYOBI. При відправленні пристрою до сервісного центру RYOBI, пристрій має бути надійно упакуваний без будь-якого небезпечного вмісту, наприклад бензину, з позначеною адресою відправника та супроводжуватися коротким описом несправності.
- Ремонт / заміна відповідно до цієї гарантії здійснюється безкоштовно. Це не є основою для подовження або початку нового гарантійного періоду. Замінені частини або прилади переходять до власності компанії. У деяких країнах вартість доставки або поштові витрати повинні бути сплачені відправником. Загально встановлені права покупця на пристрій залишаються незмінними.
- Ця гарантія діє в Європейському Союзі, Швейцарії, Ісландії, Норвегії, Лихтенштейні, Туреччині та Росії. За межами цих зон, будь ласка, зверніться до офіційного дилера RYOBI, щоб визначити, чи застосовується інша гарантія.

АВТОРИЗОВАНІ СЕРВІСНІ ЦЕНТРИ

Для отримання оновленого переліка авторизованих сервісних центрів, відвідайте <http://uk.ryobitools.eu/header/service-and-support/service-agents>.

TR RYOBI® GARANTİ UYGULAMA KOŞULLARI

Alımdan kaynaklanan yasal haklara ek olarak, ürün aşağıda belirtilen garanti kapsamındadır.

1. Tüketiciler için 24 ay olan garanti süresi, ürünün satın alındığı tarihte başlar. Bu tarihin bir fatura ya da alım kanıtıyla belgelenmesi gerekir. Ürün sadece tüketim ve özel kullanım için geliştirilmiş ve adanmıştır. Bu nedenle, profesyonel ya da ticari kullanımı halinde garanti kapsamı sağlanmaz.
2. Elektrikli el aletlerinin bir bölümü (AC/DC) için www.ryobitools.eu sayfasındaki kayıt işlemini kullanarak garantinin belirtilen süresini ötesine çıkarma imkanı mevcuttur. Aletlerin garanti süresinin uzatılmasına uygun olup olmadığı mağazalarda ve / veya ambalajda açıkça belirtilmiş olup, ürün dokümantasyonunda gösterilir. Son kullanıcının yeni aldığı aletleri satın alma tarihini izleyen 30 gün içinde kaydetmesi gerekir. Son kullanıcı ikamet ettiği ülkede, bu seçeneğin geçerli olduğu çevrimiçi kayıt formunda belirtilmişse, uzatılmış garanti süresi için kayıt yapılabilir. Dahası, son kullanıcıların çevrimiçi giriş için gerekli verilerin kaydedilmesine izin vermek ve hüküm ve koşulları kabul etmelidir. E-posta ile gönderilen kayıt teyit makbuzu ve alım tarihini gösteren orijinal fatura uzatılmış garantinin kanıtı olarak değerlendirilir.
3. Garanti, ürünün alım tarihindeki işçilik ve malzeme kusurları nedeniyle garanti süresi içinde oluşacak bütün arızaları kapsar. Bu garanti onarım ve değiştirilmeyle sınırlı olup, tasadufi ya da dolaylı hasarlar da dahil, ancak bunlarla kısıtlı olmayan başka hiçbir tahahhüdü kapsamaz. Garanti, ürünün kötü, kullanici kılavuzuna aykırı kullanımıyla ya da yanlış bağlanmış olması halinde geçerli değildir. Bu garanti aşağıdakileri kapsamaz:
 - üründe, yanlış bakımдан kaynaklanan herhangi bir hasar
 - değiştirilmiş ya da modifiye edilmiş herhangi bir ürün
 - orijinal tanıtmış işaretleri (ticari marka, seri numarası) silinmiş, değiştirilmiş ya da kaldırılmış herhangi bir ürün
 - kullanma kılavuzuna uymamaktan kaynaklanmış herhangi bir hasar
 - herhangi bir AT dışı ürün
 - kalifiye olmamış personel tarafından ya da önceden Techtronic Industries onayı alınmadan onarılmış herhangi bir ürün.
 - uygunsuz güç kaynağına (amper, voltaj, frekans) bağlanmış herhangi bir ürün
 - harici etkenlerden (kimyasal, fiziksel, darbe) veya yabancı cisimlerden kaynaklanan her türlü hasar
 - normal aşınır ve yıpranır aksam
 - uygunsuz kullanım, aletin aşırı yüklenmesi
 - onaysız aksesuar veya parça kullanımı
 - Aletle birlikte sağlanmış ya da ayrıca alınmış elektrikli alet aksesuarları. Tornavida uçları, matkap uçları, aşındırıcı diskler, zımpara kağıdı ve bıçakları, yanal kılavuz gibi aksamı içeren, ancak bunlarla sınırlı olmayan eklentiler
 - Servis ve Bakım kitiyle, kömür fırçalar, yataklar, kovanlar, SDS matkap ucu bağlantısı ya da yuvaları, güç kablosu, yedek tutamak, nakliye ve taşıma kutusu, kuşlama plakası, toz torbası, toz egzoz borusu, keçe rondelalar, Darbeli Tornavida Pim ve yayları vb. gibi parçaları kapsayan, ancak bunlarla sınırlı olmayan, aşınma ve yıpranmaya tabi bileşenler (aksam ve aksesuarlar).
4. Ürünün servis için her ülkede aşağıdaki servis istasyonları adres listesinde yer alan yetkili bir RYOBI servis istasyonuna gönderilmesi ya götürülmesi gereklidir. Bazı ülkelerde, yerel RYOBI distribütörünüz ürünü RYOBI servis tesisine göndermeyi üstlenir. Bir ürün bir RYOBI servis istasyonuna gönderilirken, ürünün güvenli bir biçimde ambalajlanması, benzin gibi tehlikeli maddeler içermemesi, gönderinen adresini taşımaya ve anızın kısa bir açıklamasını içermesi gerekir.
5. Bu garanti kapsamında yapılacak onarım / değişiklik ücretsizdir. Garanti süresinin uzatılması ya da yeniden başlatılması anlamına gelmez. Değiştirilmiş parçalar veya aletler bize ait olur. Bazı ülkelerde teslimat ücretleri veya posta giderlerini gönderici tarafından ödenmesi gerekir. Alımdan kaynaklanan yasal haklarınıza etkilenmez
6. Bu Garanti Avrupa Topluçuluğu, İsviçre, İzlanda, Norveç, Liechtenstein, Türkiye ve Rusya'da geçerlidir. Bu alanların dışında, başka bir garantinin geçerli olup olmadığını belirlemek için lütfen yetkili RYOBI distribütörünüzle irtibata geçin.

YETKİLİ SERVİS MERKEZİ

En yakın yetkili servis merkezini öğrenmek için <http://uk.ryobitools.eu/header/service-and-support/service-agents> sitesine girin.

EL ΟΡΟΙ ΕΦΑΡΜΟΓΗΣ ΤΩΝ ΠΡΟΫΠΟΘΕΣΕΩΝ ΕΓΓΥΗΣΗΣ ΤΗΣ RYOBI®

Εκτός από τα νόμιμα δικαιώματα, τα οποία προκύπτουν από την αγορά, το προϊόν καλύπτεται από εγγύηση, λεπτομέρειες της οποίας ακολουθούν στη συνέχεια.

1. Η διάρκεια της εγγύησης για τους καταναλωτές είναι 24 μήνες και αρχίζει από την ημερομηνία αγοράς. Η ημερομηνία θα πρέπει να αναγράφεται στην απόδειξη ή σε άλλο αποδεικτικό αγοράς. Το προϊόν έχει σχεδιαστεί και προορίζεται αποκλειστικά για οικιακή χρήση από καταναλωτές. Συνεπώς, δεν παρέχεται εγγύηση σε περίπτωση επαγγελματικής ή εμπορικής χρήσης.
2. Υπάρχει η δυνατότητα επέκτασης της εγγύησης για ορισμένα ηλεκτρικά εργαλεία (AC/DC), πέραν του παραπάνω αναφερόμενου χρονικού διαστήματος, μέσω εγγραφής στο δικτυακό τόπο www.ryobitools.eu. Η επλεξιμότητα των εργαλείων με δυνατότητα επέκτασης της περιόδου εγγύησης αναγράφεται ρητά στα καταστήματα και/ή επάνω στη συσκευασία, ενώ περιέχεται στην τεκμηρίωση του προϊόντος. Το τελικό χρήστη θα πρέπει να καταχωρήσει τα προσωπικά αποκτηθέντα εργαλεία online, εντός 30 ημερών από την ημερομηνία αγοράς. Ο τελικός χρήστης μπορεί να εγγραφεί για την επέκταση εγγύησης εάν υπάρχει η δυνατότητα επέκτασης. Επιπλέον, οι τελικοί χρήστες θα πρέπει να παρέχουν τη συγκατάθεσή τους για την αποθήκευση των στοιχείων τους, τα οποία οφείλουν να καταχωρούν online, όπως και να αποδεχθούν τους όρους και τις προϋποθέσεις. Η απόδειξη επιβεβαίωσης της εγγραφής, η οποία αποστέλλεται μέσω email, και η πρωτότυπη απόδειξη αγοράς, η οποία αναφέρεται στην ημερομηνία αγοράς, αποτελούν αποδεικτικά της παρατεταμένης εγγύησης.
3. Η εγγύηση καλύπτει όλα τα ελαττώματα του προϊόντος, κατά τη διάρκεια της περιόδου εγγύησης, λόγω κατασκευαστικών ελαττωμάτων ή αστοχίας υλικού κατά την ημερομηνία αγοράς. Η εγγύηση περιορίζεται στην επισκευή και/ή την αντικατάσταση και δεν περιλαμβάνει καμία άλλη υποχρέωση, συμπεριλαμβανομένων, ενδεικτικά, συμπληρωματικών ή παρεπόμενων ζημιών. Η εγγύηση δεν ισχύει εφόσον, έχει σημειωθεί κακομεταχείριση του προϊόντος, δεν έχουν τηρηθεί οι οδηγίες του εγχειριδίου οδηγιών ή το προϊόν έχει συνδεθεί λανθασμένα. Η εγγύηση δεν ισχύει για:
 - οποιαδήποτε ζημία στο προϊόν, η οποία είναι αποτέλεσμα κακής συντήρησης
 - οποιαδήποτε προϊόν, το οποίο έχει αλλοιωθεί ή τροποποιηθεί
 - οποιαδήποτε προϊόν, στο οποίο έχει αλλοιωθεί, τροποποιηθεί ή αφαιρεθεί το γνήσιο αναγνωριστικό (σήμα κατατεθέν, σειριακός αριθμός)
 - οποιαδήποτε ζημία προκλήθει λόγω μη τήρησης του εγχειριδίου οδηγιών
 - οποιαδήποτε προϊόν χωρίς σήμανση CE
 - οποιαδήποτε προϊόν, στο οποίο έχει γίνει προσπάθεια επισκευής από μη καταρτισμένο επαγγελματία ή χωρίς την προηγούμενη έγκριση της Techtronic Industries.
 - οποιαδήποτε προϊόν, το οποίο έχει συνδεθεί σε ακατάλληλη παροχή ρεύματος (αμπερ, ισχύ, συχνότητα)
 - οποιαδήποτε ζημία έχει προκληθεί από εξωτερικές επιδράσεις (χημικές, φυσικές, κλιματιομετρικές) ή ξένες ουσίες
 - φυσιολογική φθορά και ρήξη ανταλλακτικών
 - ακατάλληλη χρήση, υπερφόρτωση του εργαλείου
 - χρήση μη ενδεδειγμένων εξαρτημάτων ή ανταλλακτικών
 - Εξαρτήματα ηλεκτρικών εργαλείων που παρασχεθήκαν με το εργαλείο ή αγοράστηκαν ξεχωριστά. Τέτοιες εξαρτήματα περιλαμβάνουν, ενδεικτικά, μύτες κατασθίδιου, τρυπάνια, δίσκους λείανσης, γυαλόχαρτο και λειπίδες, πλευρικό οδηγό
 - Εξαρτήματα (ανταλλακτικά και αξεσουάρ) που υποκείμενα σε φυσική φθορά και θραύση, συμπεριλαμβανομένων, ενδεικτικά, σετ επισκευής & συντήρησης, ψηκτρών άνθρακα, εφεδράνων, τσοκ, εξαρτημάτων ή υποδοχών τρυπανιών SDS, καλωδίων ισχύος, βοηθητικής λαβής, βαλίτσας μεταφοράς, βάσης τριβείου, σακούλας συλλογής σκόνης, σωλήνα εξαναγκαστικής σκόνης, ροδελών τόδους, μυτών και ελατηρίων κροστικού κλειδιού κοχλίων, κτλ.
4. Το προϊόν θα πρέπει να αποσταλεί ή να παραδοθεί για επισκευή ή συντήρηση σε εξουσιοδοτημένο σημείο σέρβις της RYOBI που περιλαμβάνεται στον ακόλουθο κατάλογο διευθύνσεων για κάθε χώρα. Σε ορισμένες χώρες, το τοπικό σημείο πώλησης της RYOBI αναλαμβάνει την αποστολή του προϊόντος στο κεντρικό σέρβις της RYOBI. Κατά την αποστολή ενός προϊόντος σε σημείο σέρβις της RYOBI, αυτό θα πρέπει να είναι ασφαλώς συσκευασμένο, χωρίς επικίνδυνα περιεχόμενο, όπως πετρέλαιο, να φέρει τη διευθύνση του αποστολέα και να συνοδεύεται από σύντομη περιγραφή της βλάβης.
5. Η επιδιόρθωση / αντικατάσταση υπό την παρούσα εγγύηση παρέχεται δωρεάν. Δε συνιστά παράταση της περιόδου εγγύησης ή εκκίνηση νέας περιόδου εγγύησης. Τα μέρη που αντικαθίστανται περιέχονται στην κυριότητα μας. Σε ορισμένες χώρες, τα ενδεχόμενα έξοδα παράδοσης ή μεταφοράς βάρουν τον αποστολέα. Τα νόμιμα δικαιώματά σας, τα οποία απορρέουν από την αγορά του εργαλείου, δεν θίγονται.
6. Η παρούσα εγγύηση ισχύει στην Ευρωπαϊκή Κοινότητα, την Ελβετία, την Ισπανία, τη Νορβηγία, το Λιχτενστάιν, την Τουρκία και την Ρωσία. Εκτός των παραπάνω περιοχών, σας παρακαλούμε να επικοινωνήσετε με εξουσιοδοτημένο κατάστημα πώλησης της RYOBI, προκειμένου να διαπιστωθεί ένα ισχύει κάποια άλλη εγγύηση.

ΕΞΟΥΣΙΟΔΟΤΗΜΕΝΟ ΚΕΝΤΡΟ ΣΕΡΒΙΣ

Για να εντοπίσετε ένα εξουσιοδοτημένο κέντρο σέρβις στην περιοχή σας, επισκεφτείτε τη σελίδα <http://uk.ryobitools.eu/header/service-and-support/service-agents>.

**EN** DECLARATION OF CONFORMITY

Techtronic Industries GmbH
Max-Eyth-Straße 10, 71364 Winnenden, Germany

Herewith we declare that the product

Circular Saw
Brand: RYOBI
Model number: RCS1400/RCS1600
Serial number range:
RCS1400: 46201203000001 - 46201203999999
RCS1600: 46201403000001 - 46201403999999

is in conformity with the following European Directives and harmonised standards
2006/42/EC, 2014/30/EU, 2011/65/EU
EN 55014-1:2017, EN 55014-2:2015, EN 61000-3-2:2014, EN 61000-3-3:2013,
EN 61000-3-11:2000, EN 62841-1:2015, EN 62841-2-5:2014

RoHS documentation is compiled according to EN IEC 63000:2018

Todd Chipner
Sr. Director, Regulatory & Safety
Winnenden, Apr. 20, 2019



Authorised to compile the technical file:
Alexander Krug, Managing Director
Techtronic Industries GmbH
Max-Eyth-Straße 10, 71364 Winnenden, Germany

DE KONFORMITÄTSERKLÄRUNG

Techtronic Industries GmbH
Max-Eyth-Straße 10, 71364 Winnenden, Germany

Hiermit erklären wir, dass das Produkt

Kreissäge
Marke: RYOBI
Modellnummer: RCS1400/RCS1600
Seriennummernbereich:
RCS1400: 46201203000001 - 46201203999999
RCS1600: 46201403000001 - 46201403999999

den folgenden europäischen Richtlinien und harmonisierten Normen entspricht
2006/42/EC, 2014/30/EU, 2011/65/EU
EN 55014-1:2017, EN 55014-2:2015, EN 61000-3-2:2014, EN 61000-3-3:2013,
EN 61000-3-11:2000, EN 62841-1:2015, EN 62841-2-5:2014

RoHS Dokumentation ist gemäß EN IEC 63000:2018 zusammengestellt

Todd Chipner
Sr. Director, Vorschriften und Sicherheit
Winnenden, Apr. 20, 2019



Autorisiert die technische Datei zu erstellen:
Alexander Krug, Geschäftsführer
Techtronic Industries GmbH
Max-Eyth-Straße 10, 71364 Winnenden, Germany

**FR** DÉCLARATION DE CONFORMITÉ

Techtronic Industries GmbH
Max-Eyth-Straße 10, 71364 Winnenden, Germany

Déclarons par la présente que le produit

Scie Circulaire
Marque: RYOBI
Numéro de modèle: RCS1400/RCS1600
Étendue des numéros de série:
RCS1400: 46201203000001 - 46201203999999
RCS1600: 46201403000001 - 46201403999999

est conforme aux Directives Européennes et Normes Harmonisées suivantes
2006/42/EC, 2014/30/EU, 2011/65/EU
EN 55014-1:2017, EN 55014-2:2015, EN 61000-3-2:2014, EN 61000-3-3:2013,
EN 61000-3-11:2000, EN 62841-1:2015, EN 62841-2-5:2014

La documentation RoHS a été dressée d'après EN IEC 63000:2018

Todd Chipner
Directeur principal, Réglementation & Sécurité
Winnenden, Apr. 20, 2019



Autorisé à rédiger le dossier technique:
Alexander Krug, Directeur Général
Techtronic Industries GmbH
Max-Eyth-Straße 10, 71364 Winnenden, Germany

**ES** DECLARACIÓN DE CONFORMIDAD

Techtronic Industries GmbH
Max-Eyth-Straße 10, 71364 Winnenden, Germany

Por la presente declaramos que los productos

Sierra Circular
Marca: RYOBI
Número de modelo: RCS1400/RCS1600
Intervalo del número de serie:
RCS1400: 46201203000001 - 46201203999999
RCS1600: 46201403000001 - 46201403999999

se encuentra en conformidad con las siguientes Directivas Europeas y normas armonizadas
2006/42/EC, 2014/30/EU, 2011/65/EU
EN 55014-1:2017, EN 55014-2:2015, EN 61000-3-2:2014, EN 61000-3-3:2013,
EN 61000-3-11:2000, EN 62841-1:2015, EN 62841-2-5:2014

Documentación sobre restricción de sustancias peligrosas (RoHS) recopilada según la norma EN IEC 63000:2018

Todd Chipner
Director principal, Director General de Normativa y Seguridad
Winnenden, Apr. 20, 2019



Autorizado para elaborar la ficha técnica:
Alexander Krug, Administrador Ejecutivo
Techtronic Industries GmbH
Max-Eyth-Straße 10, 71364 Winnenden, Germany





IT DICHIARAZIONE DI CONFORMITÀ

Techtronic Industries GmbH
Max-Eyth-Straße 10, 71364 Winnenden, Germany

Si dichiara con la presente che il prodotto

Sega circolare
Marca: RYOBI
Numero modello: RCS1400/RCS1600
Gamma numero seriale:
RCS1400: 46201203000001 - 46201203999999
RCS1600: 46201403000001 - 46201403999999

è conforme alle seguenti Direttive Europee e ai seguenti standard armonizzati
2006/42/EC, 2014/30/EU, 2011/65/EU
EN 55014-1:2017, EN 55014-2:2015, EN 61000-3-2:2014, EN 61000-3-3:2013,
EN 61000-3-11:2000, EN 62841-1:2015, EN 62841-2-5:2014

La documentazione RoHS è stata compilata come indicato dalle norme EN IEC 63000:2018

Todd Chipner
Sig. Direttore, Dipartimento Regolazioni & Sicurezza
Winnenden, Apr. 20, 2019

Autorizzato per compilare il file tecnico:
Alexander Krug, Direttore Amministrativo
Techtronic Industries GmbH
Max-Eyth-Straße 10, 71364 Winnenden, Germany



PT DECLARAÇÃO DE CONFORMIDADE

Techtronic Industries GmbH
Max-Eyth-Straße 10, 71364 Winnenden, Germany

Pelo presente declaramos que os produtos

Serra Circular
Marca: RYOBI
Número do modelo: RCS1400/RCS1600
Intervalo do número de série:
RCS1400: 46201203000001 - 46201203999999
RCS1600: 46201403000001 - 46201403999999

se encontra em conformidade com as seguintes Directivas Europeias e normas harmonizadas
2006/42/EC, 2014/30/EU, 2011/65/EU
EN 55014-1:2017, EN 55014-2:2015, EN 61000-3-2:2014, EN 61000-3-3:2013,
EN 61000-3-11:2000, EN 62841-1:2015, EN 62841-2-5:2014

Documentação sobre restrição de substâncias perigosas (RoHS) compilada segundo a norma EN IEC 63000:2018

Todd Chipner
Sr. Diretor, Regulamentação & Segurança
Winnenden, Apr. 20, 2019

Autorizado para compilar o ficheiro técnico:
Alexander Krug, Administrador Executivo
Techtronic Industries GmbH
Max-Eyth-Straße 10, 71364 Winnenden, Germany



NL CONFORMITEITSVERKLARING

Techtronic Industries GmbH
Max-Eyth-Straße 10, 71364 Winnenden, Germany

Hierbij verklaren wij dat het product

Cirkelzaagmachine
Merk: RYOBI
Modelnummer: RCS1400/RCS1600
Serienummerbereik:
RCS1400: 46201203000001 - 46201203999999
RCS1600: 46201403000001 - 46201403999999

is in overeenstemming met de volgende Europese Richtlijnen en geharmoniseerde normen
2006/42/EC, 2014/30/EU, 2011/65/EU
EN 55014-1:2017, EN 55014-2:2015, EN 61000-3-2:2014, EN 61000-3-3:2013,
EN 61000-3-11:2000, EN 62841-1:2015, EN 62841-2-5:2014

RoHS-documentatie is samengesteld in overeenstemming met EN IEC 63000:2018

Todd Chipner
Dhr. Directeur, Regelgeving en veiligheid
Winnenden, Apr. 20, 2019

Afgevaardigde voor het samenstellen van de technische fiche:
Alexander Krug, Directeur
Techtronic Industries GmbH
Max-Eyth-Straße 10, 71364 Winnenden, Germany



DA OVERENSSTEMMELSESERKLÆRING

Techtronic Industries GmbH
Max-Eyth-Straße 10, 71364 Winnenden, Germany

Vi erklærer hermed, at produktet

Rundsav
Brand: RYOBI
Modelnummer: RCS1400/RCS1600
Serienummerområde:
RCS1400: 46201203000001 - 46201203999999
RCS1600: 46201403000001 - 46201403999999

er i overensstemmelse med følgende EU-direktiver og harmoniserede standarder
2006/42/EC, 2014/30/EU, 2011/65/EU
EN 55014-1:2017, EN 55014-2:2015, EN 61000-3-2:2014, EN 61000-3-3:2013,
EN 61000-3-11:2000, EN 62841-1:2015, EN 62841-2-5:2014

RoHS-dokumentationen er udarbejdet i henhold til EN IEC 63000:2018

Todd Chipner
Hr. Direktør, regler og sikkerhed
Winnenden, Apr. 20, 2019

Bemyndiget til at udarbejde det tekniske kartotek:
Alexander Krug, Administrerende Direktør
Techtronic Industries GmbH
Max-Eyth-Straße 10, 71364 Winnenden, Germany



SV KONFORMITETSDEKLARATION

Techtronic Industries GmbH
Max-Eyth-Straße 10, 71364 Winnenden, Germany

Härmed deklarerar vi att produkterna

Cirkelsåg
Märke: RYOBI
Modellnummer: RCS1400/RCS1600
Serienummerintervall:
RCS1400: 46201203000001 - 46201203999999
RCS1600: 46201403000001 - 46201403999999

är i enlighet med följande EU-direktiv och harmoniserade standarder
2006/42/EC, 2014/30/EU, 2011/65/EU
EN 55014-1:2017, EN 55014-2:2015, EN 61000-3-2:2014, EN 61000-3-3:2013,
EN 61000-3-11:2000, EN 62841-1:2015, EN 62841-2-5:2014

RoHS-dokumentation sammanställd enligt EN IEC 63000:2018

Todd Chipner
Överordnad direktör, regelverk och säkerhet
Winnenden, Apr. 20, 2019



Godkänd att sammanställa den tekniska filen:
Alexander Krug, VD
Techtronic Industries GmbH
Max-Eyth-Straße 10, 71364 Winnenden, Germany

NO SAMSVARSERKLÆRING

Techtronic Industries GmbH
Max-Eyth-Straße 10, 71364 Winnenden, Germany

Herved erklærer vi at produktet

Sirkelsag
Märke: RYOBI
Modellnummer: RCS1400/RCS1600
Serienummerserie:
RCS1400: 46201203000001 - 46201203999999
RCS1600: 46201403000001 - 46201403999999

er i samsvar med følgende europeiske direktiver og harmoniserte standarder
2006/42/EC, 2014/30/EU, 2011/65/EU
EN 55014-1:2017, EN 55014-2:2015, EN 61000-3-2:2014, EN 61000-3-3:2013,
EN 61000-3-11:2000, EN 62841-1:2015, EN 62841-2-5:2014

RoHS dokumentasjonen er skrevet i samsvar med EN IEC 63000:2018

Todd Chipner
Sr. direktør, forskrifter og sikkerhet
Winnenden, Apr. 20, 2019



Autorisert til å sette sammen den tekniske filen:
Alexander Krug, Administrerende Direktør
Techtronic Industries GmbH
Max-Eyth-Straße 10, 71364 Winnenden, Germany

FI SÄÄNNÖSTEN NOUDATTAMINEN

Techtronic Industries GmbH
Max-Eyth-Straße 10, 71364 Winnenden, Germany

Ilmoitamme täten, että tuotteet

Pyörösaha
Tuotemerkki: RYOBI
Mallinnumero: RCS1400/RCS1600
Sarjanumeroalue:
RCS1400: 46201203000001 - 46201203999999
RCS1600: 46201403000001 - 46201403999999

noudattaa seuraavia EU-direktiivejä ja harmonoituja standardeja
2006/42/EC, 2014/30/EU, 2011/65/EU
EN 55014-1:2017, EN 55014-2:2015, EN 61000-3-2:2014, EN 61000-3-3:2013,
EN 61000-3-11:2000, EN 62841-1:2015, EN 62841-2-5:2014

RoHS-dokumentaatio on koottu standardin EN IEC 63000:2018 mukaisesti

Todd Chipner
Sr. Director, säästöstenmukaisuus ja turvallisuus
Winnenden, Apr. 20, 2019



Valtuutettu kokoamaan tekninen tiedosto:
Alexander Krug, Toimitusjohtaja
Techtronic Industries GmbH
Max-Eyth-Straße 10, 71364 Winnenden, Germany

RU ЗАЯВЛЕНИЕ О СООТВЕТСТВИИ ТРЕБОВАНИЯМ

Techtronic Industries GmbH
Max-Eyth-Straße 10, 71364 Winnenden, Germany

Настоящим мы заявляем, что данный продукт

Циркулярная пила
Марка: RYOBI
Номер модели: RCS1400/RCS1600
Диапазон заводских номеров:
RCS1400: 46201203000001 - 46201203999999
RCS1600: 46201403000001 - 46201403999999

соответствует требованиям следующих Директив ЕС и согласованных стандартов
2006/42/EC, 2014/30/EU, 2011/65/EU
EN 55014-1:2017, EN 55014-2:2015, EN 61000-3-2:2014, EN 61000-3-3:2013,
EN 61000-3-11:2000, EN 62841-1:2015, EN 62841-2-5:2014

Документация RoHS соответствует стандарту EN IEC 63000:2018

Todd Chipner
Г-н Директор, технике безопасности и стандартам
Winnenden, Apr. 20, 2019



Лицо, ответственное за подготовку технической документации:
Alexander Krug, Директор
Techtronic Industries GmbH
Max-Eyth-Straße 10, 71364 Winnenden, Germany

**PL** DEKLARACJA ZGODNOŚCI

Techtronic Industries GmbH
Max-Eyth-Straße 10, 71364 Winnenden, Germany

Niniejszym deklaruujemy, że produkty

Pilarka tarczowa

Marka: RYOBI

Numer modelu: RCS1400/RCS1600

Zakres numerów seryjnych:

RCS1400: 46201203000001 - 46201203999999

RCS1600: 46201403000001 - 46201403999999

jest zgodny z następującymi dyrektywami europejskimi i zharmonizowanymi normami

2006/42/EC, 2014/30/EU, 2011/65/EU

EN 55014-1:2017, EN 55014-2:2015, EN 61000-3-2:2014, EN 61000-3-3:2013,

EN 61000-3-11:2000, EN 62841-1:2015, EN 62841-2-5:2014

Dokumentacja RoHS została opracowana zgodnie z normą EN IEC 63000:2018

Todd Chipner

Starszy dyrektor ds. zgodności prawnej i bezpieczeństwa
Winnenden, Apr. 20, 2019

Osoba upoważniona do sporządzenia dokumentu technicznego:

Alexander Krug, Dyrektor Zarządzający

Techtronic Industries GmbH

Max-Eyth-Straße 10, 71364 Winnenden, Germany

HU MEGFELELŐSÉGI NYILATKOZAT

Techtronic Industries GmbH
Max-Eyth-Straße 10, 71364 Winnenden, Germany

Ezúton kijelentjük, hogy a termékek

Körfűrész

Márka: RYOBI

Típusszám: RCS1400/RCS1600

Sorozatszám tartomány:

RCS1400: 46201203000001 - 46201203999999

RCS1600: 46201403000001 - 46201403999999

megfelel az alábbi Európai Irányelvek és harmonizált szabványok vonatkozó rendelkezéseinek

2006/42/EC, 2014/30/EU, 2011/65/EU

EN 55014-1:2017, EN 55014-2:2015, EN 61000-3-2:2014, EN 61000-3-3:2013,

EN 61000-3-11:2000, EN 62841-1:2015, EN 62841-2-5:2014

A RoHS dokumentáció összeállítása az EN IEC 63000:2018 szerint történt

Todd Chipner

Senior igazgató, Megfelelőségi és biztonsági területek
Winnenden, Apr. 20, 2019

A műszaki dokumentáció összeállítására felhatalmazott:

Alexander Krug, Ügyvezető Igazgató

Techtronic Industries GmbH

Max-Eyth-Straße 10, 71364 Winnenden, Germany

**CS** PROHLÁŠENÍ O SHODĚ

Techtronic Industries GmbH
Max-Eyth-Straße 10, 71364 Winnenden, Germany

Tímto prohlašujeme, že výrobky

Rotační píla

Značka: RYOBI

Číslo modelu: RCS1400/RCS1600

Rozsah sériových čísel:

RCS1400: 46201203000001 - 46201203999999

RCS1600: 46201403000001 - 46201403999999

že tento výrobek je v souladu s evropskými a harmonizovanými standardy

2006/42/EC, 2014/30/EU, 2011/65/EU

EN 55014-1:2017, EN 55014-2:2015, EN 61000-3-2:2014, EN 61000-3-3:2013,

EN 61000-3-11:2000, EN 62841-1:2015, EN 62841-2-5:2014.

RoHS dokumentace sestavena dle EN IEC 63000:2018

Todd Chipner

Vyšší ředitel, normy a bezpečnost
Winnenden, Apr. 20, 2019

Pověření ke kompilaci technického souboru:

Alexander Krug, Generální Ředitel

Techtronic Industries GmbH

Max-Eyth-Straße 10, 71364 Winnenden, Germany

**RO** DECLARAȚIE DE CONFORMITATE

Techtronic Industries GmbH
Max-Eyth-Straße 10, 71364 Winnenden, Germany

Prin prezenta, declarăm că produsele

Fierăstrău circular

Marca: RYOBI

Număr serie: RCS1400/RCS1600

Garnă număr serie:

RCS1400: 46201203000001 - 46201203999999

RCS1600: 46201403000001 - 46201403999999

este în conformitate cu următoarele Directive Europene și standarde armonizate

2006/42/EC, 2014/30/EU, 2011/65/EU

EN 55014-1:2017, EN 55014-2:2015, EN 61000-3-2:2014, EN 61000-3-3:2013,

EN 61000-3-11:2000, EN 62841-1:2015, EN 62841-2-5:2014

Documentația RoHS este întocmită în conformitate cu EN IEC 63000:2018

Todd Chipner

Director Senior, Director General
Winnenden, Apr. 20, 2019

Autorizat să completeze fișa tehnică:

Alexander Krug, Director General

Techtronic Industries GmbH

Max-Eyth-Straße 10, 71364 Winnenden, Germany



LV ATBILSTĪBAS DEKLARĀCIJA

Techtronic Industries GmbH
Max-Eyth-Straße 10, 71364 Winnenden, Germany

Ar šo paziņojam, ka produkti

Ripzāģis
Zīmols: RYOBI
Modeļa numurs: RCS1400/RCS1600
Sērijas numura intervāls:
RCS1400: 46201203000001 - 46201203999999
RCS1600: 46201403000001 - 46201403999999

atbilst šādām Eiropas direktīvām un saskaņotajiem standartiem
2006/42/EC, 2014/30/EU, 2011/65/EU
EN 55014-1:2017, EN 55014-2:2015, EN 61000-3-2:2014, EN 61000-3-3:2013,
EN 61000-3-11:2000, EN 62841-1:2015, EN 62841-2-5:2014

RoHS dokumentācija ir izstrādāta saskaņā ar EN IEC 63000:2018

Todd Chipner
Vecākais Direktors, darba drošības noteikumi
Winnenden, Apr. 20, 2019



Pilnvarots sastādīt tehnisko failu:
Alexander Krug, Izpilddirektors
Techtronic Industries GmbH
Max-Eyth-Straße 10, 71364 Winnenden, Germany

ET VASTAVUSDEKLARATSIOON

Techtronic Industries GmbH
Max-Eyth-Straße 10, 71364 Winnenden, Germany

Kinnitame, et see toode

Ketassaag
Mark: RYOBI
Mudeli number: RCS1400/RCS1600
Seerianumbri vahemik:
RCS1400: 46201203000001 - 46201203999999
RCS1600: 46201403000001 - 46201403999999

vastab järgmistele Euroopa direktiividele ja harmoniseeritud standarditele
2006/42/EC, 2014/30/EU, 2011/65/EU
EN 55014-1:2017, EN 55014-2:2015, EN 61000-3-2:2014, EN 61000-3-3:2013,
EN 61000-3-11:2000, EN 62841-1:2015, EN 62841-2-5:2014

RoHS dokumentid on koostatud vastavuses standardi EN IEC 63000:2018 nõuetele

Todd Chipner
Vanemdirektor, standardiseerimise ja ohutuse alal
Winnenden, Apr. 20, 2019



Tehnilise faili koostamiseks volitatud isik:
Alexander Krug, Tegevdirektor
Techtronic Industries GmbH
Max-Eyth-Straße 10, 71364 Winnenden, Germany

LT ATITIKTIES PAREIŠKIMAS

Techtronic Industries GmbH
Max-Eyth-Straße 10, 71364 Winnenden, Germany

Mes pareiškiame, kad šie produktai

Diskinis pjūklas
Prekės ženklas: RYOBI
Modelio numeris: RCS1400/RCS1600
Serijinio numerio diapazonas:
RCS1400: 46201203000001 - 46201203999999
RCS1600: 46201403000001 - 46201403999999

pagamintas laikantis toliau nurodytųjų Europos Direktyvų ir darniųjų standartų
2006/42/EC, 2014/30/EU, 2011/65/EU
EN 55014-1:2017, EN 55014-2:2015, EN 61000-3-2:2014, EN 61000-3-3:2013,
EN 61000-3-11:2000, EN 62841-1:2015, EN 62841-2-5:2014

Tam tikrų pavojingų medžiagų naudojimo elektros ir elektroninėje įrangoje apri bojimo dokumentai sudaryti pagal standartą EN IEC 63000:2018

Todd Chipner
Vyr. direktorius, Kontrolės ir saugos
Winnenden, Apr. 20, 2019



Igalios sudaryti techninį failą:
Alexander Krug, Generalinis Direktorius
Techtronic Industries GmbH
Max-Eyth-Straße 10, 71364 Winnenden, Germany

HR IZJAVA O USKLAĐENOSTI

Techtronic Industries GmbH
Max-Eyth-Straße 10, 71364 Winnenden, Germany

Ovime izjavljujemo da su proizvodi

Cirkulama pila
Marka: RYOBI
Broj modela: RCS1400/RCS1600
Raspon serijskog broja:
RCS1400: 46201203000001 - 46201203999999
RCS1600: 46201403000001 - 46201403999999

usklađen sa sljedećim Europskim Direktivama i usklađenim normama
2006/42/EC, 2014/30/EU, 2011/65/EU
EN 55014-1:2017, EN 55014-2:2015, EN 61000-3-2:2014, EN 61000-3-3:2013,
EN 61000-3-11:2000, EN 62841-1:2015, EN 62841-2-5:2014

RoHS dokumentacija sukladna je EN IEC 63000:2018

Todd Chipner
Viši direktor, pravila i sigurnost
Winnenden, Apr. 20, 2019



Ovlašten da sastavi tehničku datoteku:
Alexander Krug, Direktor Upravljanja
Techtronic Industries GmbH
Max-Eyth-Straße 10, 71364 Winnenden, Germany

SL IZJAVA O SKLADNOSTI

Techtronic Industries GmbH
Max-Eyth-Straße 10, 71364 Winnenden, Germany

Izjavljamo, da je izdelek

Krožna žaga
Znamka: RYOBI
Številka modela: RCS1400/RCS1600
Razpon serijskih števil:
RCS1400: 46201203000001 - 46201203999999
RCS1600: 46201403000001 - 46201403999999

v skladu s sledečimi evropskimi direktivami in harmoniziranimi standardi
2006/42/EC, 2014/30/EU, 2011/65/EU
EN 55014-1:2017, EN 55014-2:2015, EN 61000-3-2:2014, EN 61000-3-3:2013,
EN 61000-3-11:2000, EN 62841-1:2015, EN 62841-2-5:2014

Dokumentacija RoHS je sestavljena skladno s standardom EN IEC 63000:2018

Todd Chipner
Višji direktor, zakonodajne in varnostne zadeve
Winnenden, Apr. 20, 2019



Pooblaščen oseba za sestavo tehnične dokumentacije:
Alexander Krug, Izvršni Direktor
Techtronic Industries GmbH
Max-Eyth-Straße 10, 71364 Winnenden, Germany

BG ДЕКЛАРАЦИЯ НА ЗА СЪОТВЕТВИЕ

Techtronic Industries GmbH
Max-Eyth-Straße 10, 71364 Winnenden, Germany

С настоящето декларираме, че продуктът
Циркулярен трион
Модел: RYOBI
Номер на модела: RCS1400/RCS1600
Обхват на серийни номера:
RCS1400: 46201203000001 - 46201203999999
RCS1600: 46201403000001 - 46201403999999

отговаря на следните директиви на ЕС и хармонизирани стандарти
2006/42/EC, 2014/30/EU, 2011/65/EU
EN 55014-1:2017, EN 55014-2:2015, EN 61000-3-2:2014, EN 61000-3-3:2013,
EN 61000-3-11:2000, EN 62841-1:2015, EN 62841-2-5:2014

Документацията за RoHS е съставена в съответствие с EN IEC 63000:2018.

Todd Chipner
Главен директор, отдел Нормативни изисквания и безопасност
Winnenden, Apr. 20, 2019



Упълномощено лице за съставяне на техническия файл:
Alexander Krug, Изпълнителен Директор
Techtronic Industries GmbH
Max-Eyth-Straße 10, 71364 Winnenden, Germany

SK PREHLÁSENIE O ZHODE

Techtronic Industries GmbH
Max-Eyth-Straße 10, 71364 Winnenden, Germany

Týmto vyhlasujeme, že výrobok

Kotúčová píla
Značka: RYOBI
Číslo modelu: RCS1400/RCS1600
Rozsah sériových čísiel:
RCS1400: 46201203000001 - 46201203999999
RCS1600: 46201403000001 - 46201403999999

je v súlade s nasledujúcimi Európskymi smernicami a harmonizovanými normami
2006/42/EC, 2014/30/EU, 2011/65/EU
EN 55014-1:2017, EN 55014-2:2015, EN 61000-3-2:2014, EN 61000-3-3:2013,
EN 61000-3-11:2000, EN 62841-1:2015, EN 62841-2-5:2014

Dokumentácia RoHS je zostavená podľa EN IEC 63000:2018

Todd Chipner
vyšší riaditeľ, Regulácia a bezpečnosť
Winnenden, Apr. 20, 2019



Oprávnená osoba na zostavenie technického súboru:
Alexander Krug, Generálny Riaditeľ
Techtronic Industries GmbH
Max-Eyth-Straße 10, 71364 Winnenden, Germany

UK ДЕКЛАРАЦИЯ ПРО ВІДПОВІДНІСТЬ

Techtronic Industries GmbH
Max-Eyth-Straße 10, 71364 Winnenden, Germany

При цьому ми заявляємо, що продукт

Циркулярна пила
Марка: RYOBI
Номер моделі: RCS1400/RCS1600
Діапазон серійного номеру:
RCS1400: 46201203000001 - 46201203999999
RCS1600: 46201403000001 - 46201403999999

у відповідності з наступними європейськими директивами та гармонізованими стандартами
2006/42/EC, 2014/30/EU, 2011/65/EU
EN 55014-1:2017, EN 55014-2:2015, EN 61000-3-2:2014, EN 61000-3-3:2013,
EN 61000-3-11:2000, EN 62841-1:2015, EN 62841-2-5:2014

Документація RoHS складена відповідно до EN IEC 63000:2018

Todd Chipner
Ген. директор, регулювання і безпека
Winnenden, Apr. 20, 2019



Дозвіл на складання технічного файла:
Alexander Krug, Керуючий директор
Techtronic Industries GmbH
Max-Eyth-Straße 10, 71364 Winnenden, Germany



TR UYGUNLUK BEYANI

Techtronic Industries GmbH
Max-Eyth-Straße 10, 71364 Winnenden, Germany

Boylelikte beyan ederiz ki; ürün
Dairesel Testere
Marka: RYOBI
Model numarası: RCS1400/RCS1600
Seri numarası aralığı:
RCS1400: 46201203000001 - 46201203999999
RCS1600: 46201403000001 - 46201403999999

aşağıdaki Avrupa Direktifleri ve uyumlaştırılmış standartlara uygundur
2006/42/EC, 2014/30/EU, 2011/65/EU
EN 55014-1:2017, EN 55014-2:2015, EN 61000-3-2:2014, EN 61000-3-3:2013,
EN 61000-3-11:2000, EN 62841-1:2015, EN 62841-2-5:2014

RoHS belgeleri EN IEC 63000:2018 uyarınca derlenmiştir

Todd Chipner
Kıdemli Direktör, Düzenleme ve Güvenlik
Winnenden, Apr. 20, 2019

Teknik dosya hazırlamaya yetkilidir:
Alexander Krug, Genel Müdür
Techtronic Industries GmbH
Max-Eyth-Straße 10, 71364 Winnenden, Germany

EL ΔΗΛΩΣΗ ΣΥΜΜΟΡΦΩΣΗΣ

Techtronic Industries GmbH
Max-Eyth-Straße 10, 71364 Winnenden, Germany

Δια του παρόντος δηλώνουμε ότι το προϊόν
Κυκλικός κόπτης
Μάρκα: RYOBI
Αριθμός μοντέλου: RCS1400/RCS1600
Εύρος σειριακών αριθμών:
RCS1400: 46201203000001 - 46201203999999
RCS1600: 46201403000001 - 46201403999999

είναι σύμφωνα με τις παρακάτω Ευρωπαϊκές Οδηγίες και εναρμονισμένα πρότυπα
2006/42/EC, 2014/30/EU, 2011/65/EU
EN 55014-1:2017, EN 55014-2:2015, EN 61000-3-2:2014, EN 61000-3-3:2013,
EN 61000-3-11:2000, EN 62841-1:2015, EN 62841-2-5:2014

Τα έγγραφα RoHS συντάσσονται σύμφωνα με το EN IEC 63000:2018

Todd Chipner
Ανώτερος Διευθυντής, Τμήμα Ρυθμίσεων & Ασφάλειας
Winnenden, Apr. 20, 2019

Εξουσιοδοτημένο άτομο για σύνταξη τεχνικού αρχείου:
Alexander Krug, Διευθύνων Σύμβουλος
Techtronic Industries GmbH
Max-Eyth-Straße 10, 71364 Winnenden, Germany

EN RYOBI is a trademark of Ryobi Limited, and is used under license.
FR RYOBI est une marque déposée de Ryobi Limited, et est utilisée sous license.
DE RYOBI ist ein Markenzeichen von Ryobi Limited und wird in Lizenz verwendet.
ES RYOBI es una marca registrada de Ryobi Limited, y se utiliza bajo licencia.
IT L'utilizzo del marchio registrato RYOBI è legato alla licenza concessa da Ryobi Limited.
NL RYOBI is een handelsmerk van Ryobi Limited en wordt onder licentie gebruikt.
PT RYOBI é uma marca comercial de Ryobi Limited, e é utilizada sob licença.
DA RYOBI er et varemærke tilhørende Ryobi Limited og bruges under licens.
SV RYOBI är en del av varumärke Ryobi Limited och dess användning är licensierad.
FI RYOBI on Ryobi Limitedin omistama tavaramerkki, ja sitä käytetään lisenssin puitteissa.
NO RYOBI er et varemærke for Ryobi Limited, og brukes under lisens.
RU RYOBI является товарным знаком компании Ryobi Limited, используемым по лицензии.
PL RYOBI to znak towarowy firmy Ryobi Limited i jest używany zgodnie z udzieloną licencją.
CS RYOBI je ochranná známka společnosti Ryobi Limited a její používání podléhá licenci.
RO A RYOBI a Ryobi Limited védjegye, használatá licenc keretében történik.
HU RYOBI este o marcă comercială a firmei Ryobi Limited și este utilizată sub licență.
LV RYOBI ir Ryobi Limited preču zīme un tiek izmantota saskaņā ar licenci.
LT „RYOBI” yra „Ryobi Limited” prekės ženklas, naudojamas pagal licenciją.
ET RYOBI on ettevõtte Ryobi Limited kaubamärk, mida kasutatakse litsentsi alusel.
HR RYOBI je žig tvrtke Ryobi Limited i koristi se po licenci.
SL RYOBI je blagovna znamka družbe Ryobi Limited in se uporablja na podlagi dovoljenja.
SK RYOBI je ochranná známka spoločnosti Ryobi Limited a používa sa na základe licencie.
BG RYOBI e търговска марка на Ryobi Limited и се използва под лиценз.
UK RYOBI є товарним знаком Ryobi Limited, і використовується за ліцензією.
TR RYOBI, Ryobi Limited şirketine ait olup, lisans altında kullanılan bir ticari markadır.
EL Το RYOBI αποτελεί εμπορικό σήμα της Ryobi Limited και χρησιμοποιείται μετά από χορήγηση άδειας.





Techtronic Industries GmbH
Max-Eyth-Straße 10,
71364 Winnenden, Germany

961075473-02