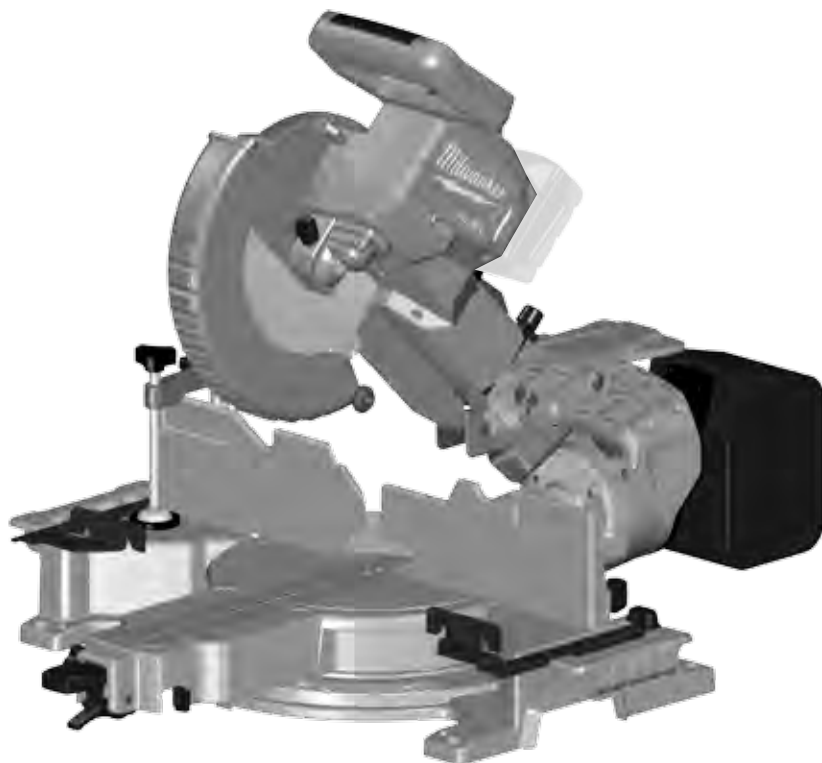


Milwaukee®

Nothing but **HEAVY DUTY**.®



M18 FMS254

Original instructions
Originalbetriebsanleitung
Notice originale
Istruzioni originali
Manual original
Manual original
Oorspronkelijke
gebruiksaanwijzing
Original brugsanvisning
Original bruksanvisning
Bruksanvisning i original

Alkuperäiset ohjeet
Πρωτότυπο οδηγίων χρήσης
Original isletme talimatı
Původním návodem k používání
Původný návod na použití
Instrukcją oryginalną
Eredeti használati utasítás
Izvirna navodila
Originalne pogonske upute
Instrukcijām oriēnālvadā
Originali instrukcija

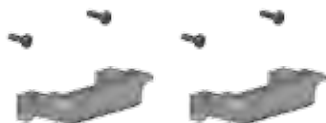
Algupärane kasutusjuhend
Оригинальное руководство
по эксплуатации
Оригинално ръководство за
експлоатация
Instrucțiuni de folosire originale
Оригинален прирачник за
работа
Оригінал інструкції з
експлуатації
التعليمات الأصلية

Technical Data, Safety Instructions, Specified Conditions of Use, EC-Declaration of Conformity, Batteries, Maintenance, Symbols	Please read and save these instructions!	English	26
Technische Daten, Sicherheitshinweise, Bestimmungsgemäße Verwendung, CE-Konformitätserklärung, Akku, Wartung, Symbole	Bitte lesen und aufbewahren!	Deutsch	29
Caractéristiques techniques, Instructions de sécurité, Utilisation conforme aux prescriptions, Déclaration CE de Conformité, Accus, Entretien, Symboles	A lire et à conserver soigneusement	Français	33
Dati tecnici, Norme di sicurezza, Utilizzo conforme, Dichiarazione di Conformità CE, Batterie, Manutenzione, Simboli	Si prega di leggere e conservare le istruzioni!	Italiano	37
Datos técnicos, Instrucciones de seguridad, Aplicación de acuerdo a la finalidad, Declaración de Conformidad CE, Batería, Mantenimiento, Símbolos	Lea y conserve estas instrucciones por favor!	Español	41
Características técnicas, Instruções de segurança, Utilização autorizada, Declaração de Conformidade CE, Acumulador, Manutenção, Símbolo	Por favor leia e conserve em seu poder!	Português	45
Technische gegevens, Veiligheidsadviezen, Voorgeschreven gebruik van het systeem, EC-Konformiteitsverklaring, Akku, Onderhoud, Symbolen	Lees en het goed op deze adviezen!	Nederlands	49
Tekniske data, Sikkerhedshenvisninger, Tiltænk formål, CE-Konformitetserklæring, Batteri, Vedligeholdelse, Symboler	Vær venlig at læse og opbevare!	Dansk	53
Tekniske data, Spesielle sikkerhedshenvisninger, Formålsmessig bruk, CE-Samsvarserklæring, Batterier, Vedlikehold, Symboler	Vennligst les og oppbevar!	Norsk	56
Tekniska data, Säkerhetsutrustning, Använd maskinen Enligt anvisningarna, CEFörsäkran, Batterier, Skötsel, Symboler	Läs igenom och spara!	Svenska	59
Tekniset arvot, Turvallisuusohjeet, Tarkoituksenmukainen käyttö, Todistus CE-standardinmukaisuudesta, Akku, Huolto, Symbolit	Lue ja säilytä!	Suomi	63
Τεχνικά στοιχεία, Ειδικές υποδείξεις ασφαλείας, Χρήση σύμφωνα με το σκοπό προοριζομένου, Δήλωση πιστότητας ΕΚ, Μπαταρίες, Χαρακτηριστικά, Συντήρηση, Σύμβολα.	Παρακαλώ διαβάστε τις και φυλάξτε τις!	Ελληνικά	66
Teknik veriler, Güvenliğinizi için talimatlar, Kullanım, CE uygunluk beyanince, Akü, Bakım, Semboller	Lütfen okuyun ve saklayın	Türkçe	70
Technická data, Speciální bezpečnostní upozornění, Oblast využití, Ce-prohlášení o shodě, Akumulátory, Údržba, Symboly	Po přečtení uschovejte	Česky	74
Technické údaje, Špeciálne bezpečnostné pokyny, Použitie podľa a predpisov, CE-Vyhľadanie konformity, Sieťová prípojka, Údržba, Symboly	Prosím prečítať a uschovať!	Slovensky	77
Dane techniczne, Specjalne zalecenia dotyczace bezpieczenstwa, Uzytkowanie zgodnie z przeznaczeniem, Swiadectwo zgodnosci ce, Podlaczenie do sieci, Gwarancja, Symbole	Należy uważnie przeczytać i zachować do wglądu!	Polski	80
Műszaki adatok, Különleges biztonsági tudnivalók, Rendeltetésszerű használat, Ce-azonossági nyilatkozat, Hálózati csatlakoztatás, Karbantartás, Szimbólumok	Olvassa el és őrizze meg	Magyar	84
Tehnični podatki, Specialni varnostni napotki, Uporaba v skladu z namembnostjo, Ce-izjava o konformnosti, Omežni priključek, Vzdrževanje, Simboli	Prosimo preberite in shranite!	Slovensko	88
Tehnički podaci, Specijalne sigurnosne upute, Propisna upotreba, CE-Izjava konformnosti, Priključak na mrežu, Održavanje, Simboli	Molimo pročitati i sačuvati	Hrvatski	91
Tehniskie dati, Speciālie drošības noteikumi, Noteikumiem atbilstošs izmantojums, Atbilstība CE normām, Tikla pieslēgums, Apkope, Simboli	Pielikums lietošanas pamācībai	Latviski	94
Techniniai duomenys, Ypatingos saugumo nuorodos, Naudojimas pagal paskirti, CE Atitikties pareiškimas, Elektros tinklo jungtis, Techninis aptarnavimas, Simboliai	Prašome perskaityti ir neišmesti!	Lietuviškai	97
Tehnilised andmed, Spetsiaalsed turvajuhtised, Kasutamine vastavalt otstarbele, EÜ Vastavusavaldus, Võrku ühendamine, Hooldus, Sümbolid	Palun lugege läbi ja hoidke alla!	Eesti	100
Технические данные, Рекомендации по технике безопасности, Использо- вание, Подключение к электросети, Обслуживание, Символы	Пожалуйста прочтите и сохраните эту инструкцию.	Русский	103
Технически данни, Специални указания за безопасност, Използване по предназначение, CE-Декларация за съответствие, Свързване към мрежата, Поддръжка, Символи	Моля прочетете и запазете!	Български	107
Date tehnice, Instrucțiuni de securitate, Condiții de utilizare specificate, Declarație de conformitate, Acumulatori, Întreținere, Simboluri	Va rugăm citiți și păstrați aceste instrucțiuni	Română	111
Технички Податоци, Упатство За Употреба, Специфицирани Услови На Употреба, Еу-декларација За Сообразност, БАТЕРИИ, Одржување, Символи	Ве молиме прочитајте го и чувајте го ова упатство!	Македонски	115
Технічні характеристики, Вказівки З Техніки Безпеки, Використання за призначенням, Сертифікат Відповідності Вимогам Єс, Акумуляторна, Обслуговування, Символи	Прочитайте та збережіть цю інструкцію.	Українська	119
تعلييمات السلامة، شروط الاستخدام المحددة، البطاريات، إعلان المطابقة - الاتحاد الأوروبي، الصيانة، الرموز	يرجى قراءة وحفظ هذه التعليمات!	العربية	125





2



8



13

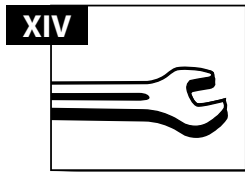
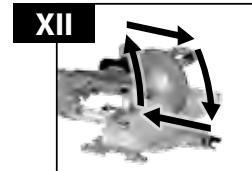
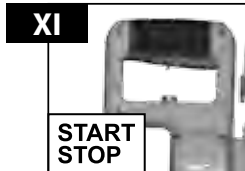
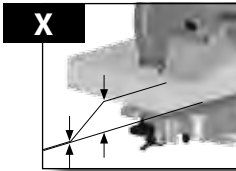
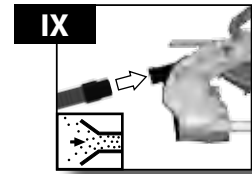
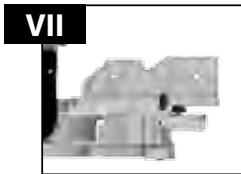
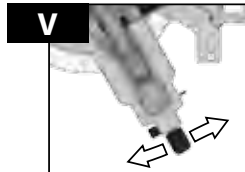
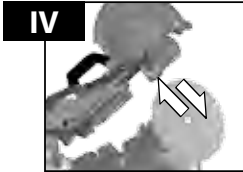
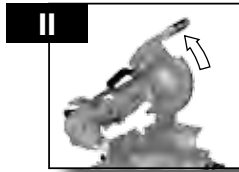
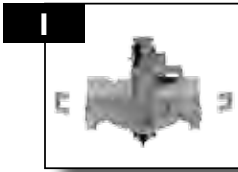


15

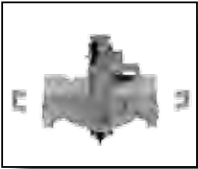


21

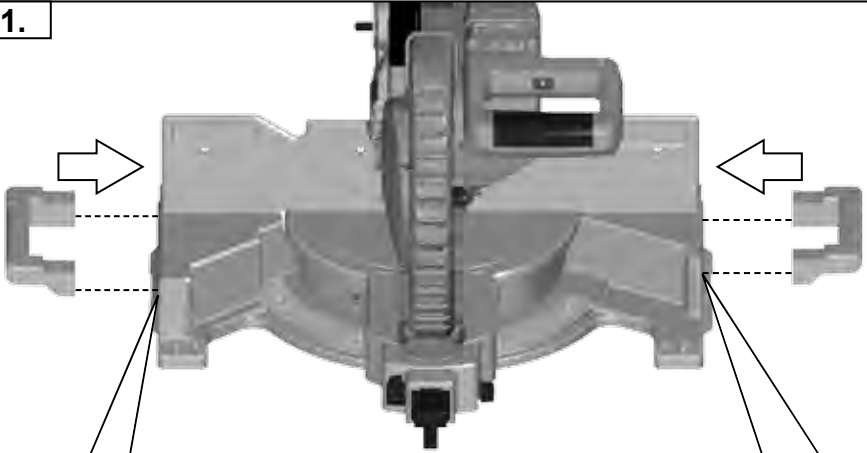




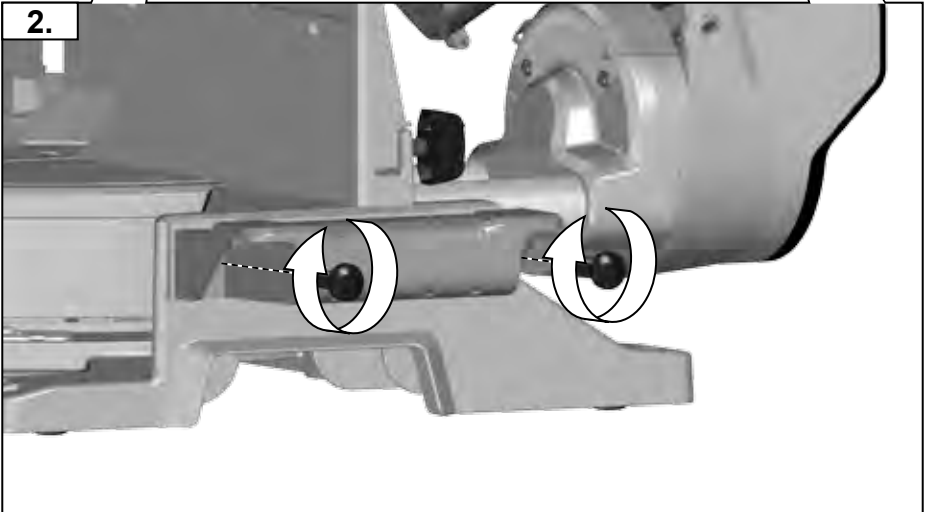
 Accessory
Zubehör
Accessoires
Accessorio
Accessorio • Acessório
Toebehoren • Tilbehør
Tilbehør • Tillbehör
Lisälaite • Εξαρτήματα
Akseuar • Прилушєnstvн
Prislušєnstv • Wyposazєnie
Azokat a tartozékokat
Oprema • Piederumi
Priedas • Tarvikud
Дополнитель • Аксєсоари
Accessoriu • ополнитєлна
oprema • Комплектуєчи
الملحق

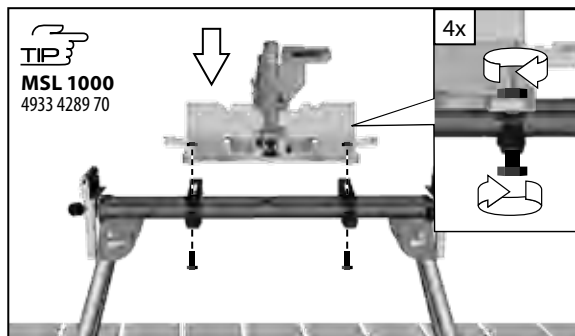
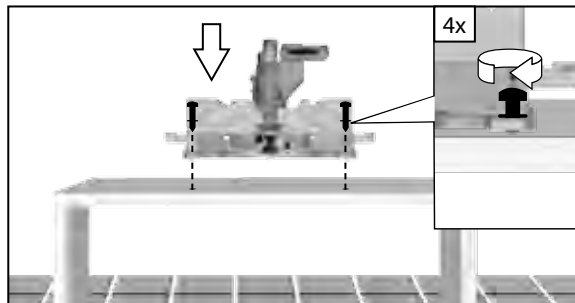
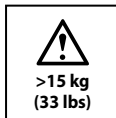
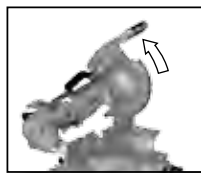


1.

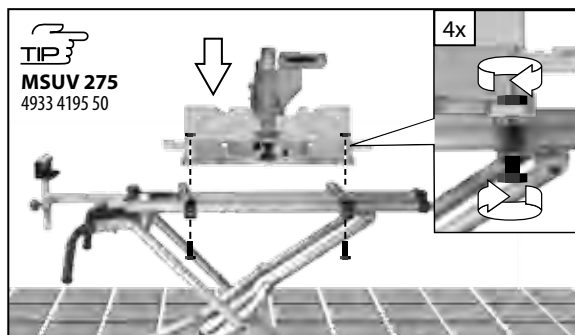


2.






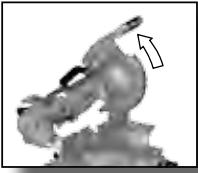
TIP
MSL 1000
4933 4289 70



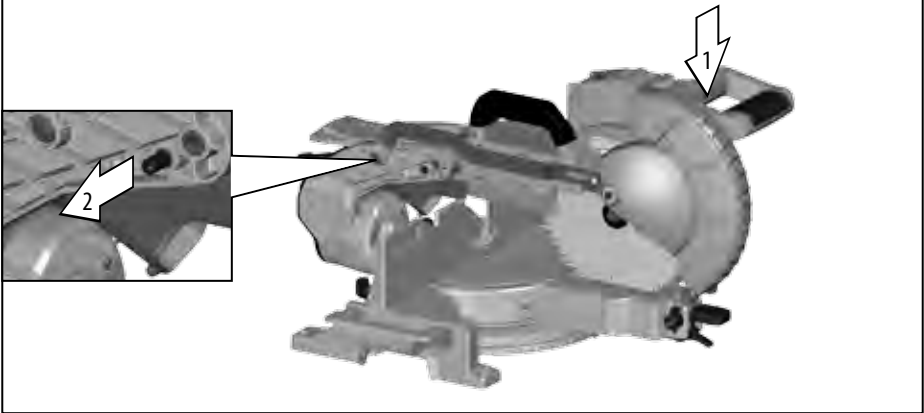
TIP
MSUV 275
4933 4195 50



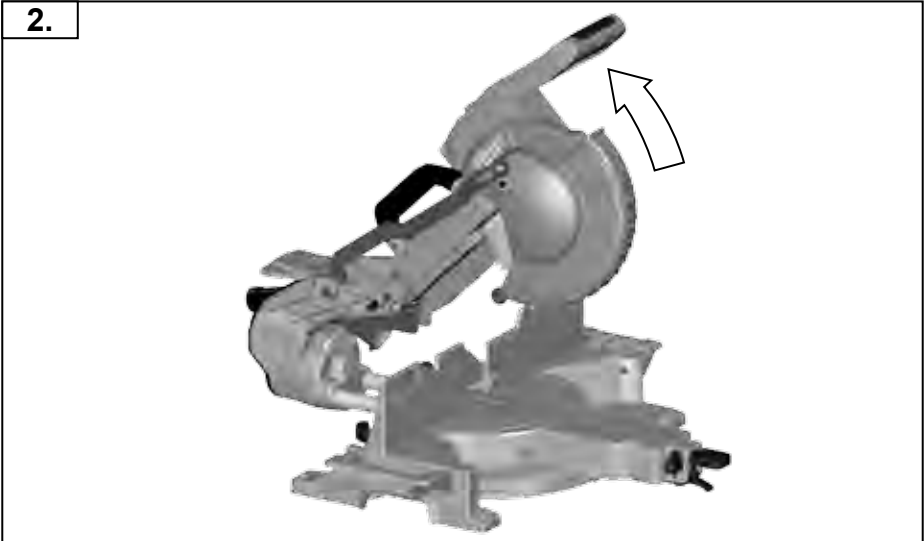
Not included in standard equipment.
Im Lieferumfang nicht enthalten.
Ces pièces ne font pas partie de la livraison.
on incluso nella dotazione standard.
No incluido en el equipo estándar.
Não incluído no equipamento normal.
Wordt niet meegeleverd.
Ikke inkluderet i leveringsomfanget.
Inngår ikke i leveransen.
Ingår ej i leveransomfånget.
Ei sisälly vakiovarustukseen.
Δεν συμπεριλαμβάνεται
Teslimat kapsamında değildir.
V dodávce neobsaženo.
Neobsahuje štandardná výbava.
Nie stanowi wyposażenia standardowego
Nem tartozéka a készüléknek.
Ni v obsegu dobave.
U opsegu isporuke nije sadržano.
Komplektācijā nav ietverts.
Nejeina j komplektācijā.
Ei kuulu tarne komplekti.
Не входит в объем поставки
Не е включено в обема на доставката.
Nu este inclus in echipamentul standard
Не е включено во стандартна опрема
Не входит в обсяг постачання.
ليس مدرجًا كمعدة قياسية

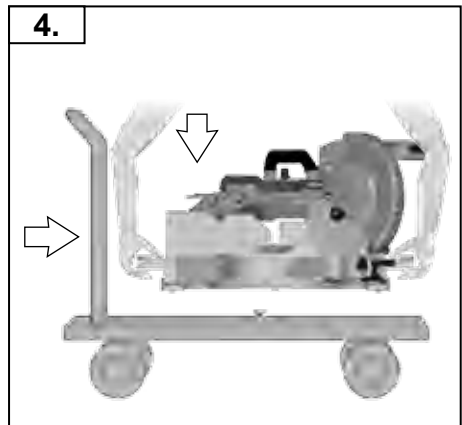
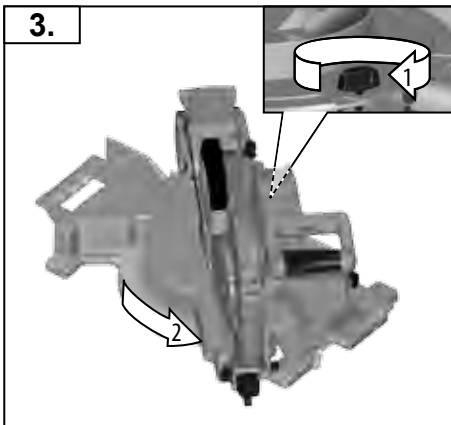
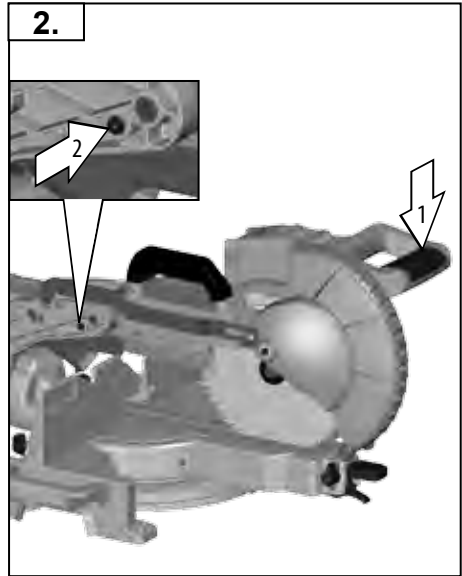
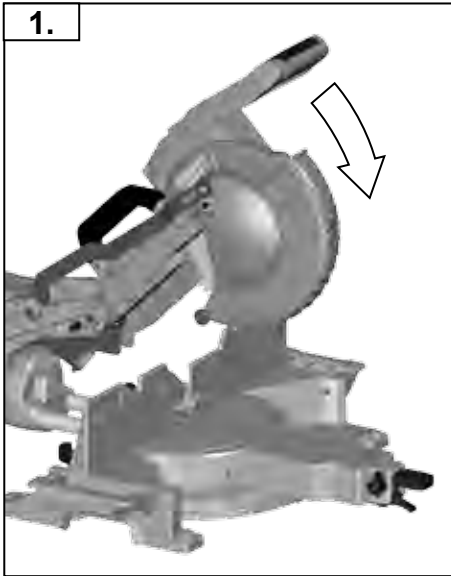
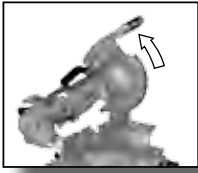


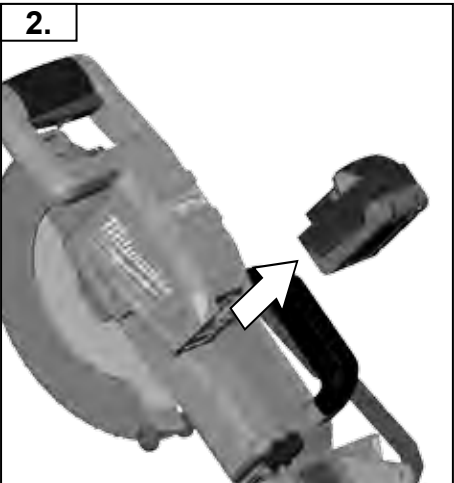
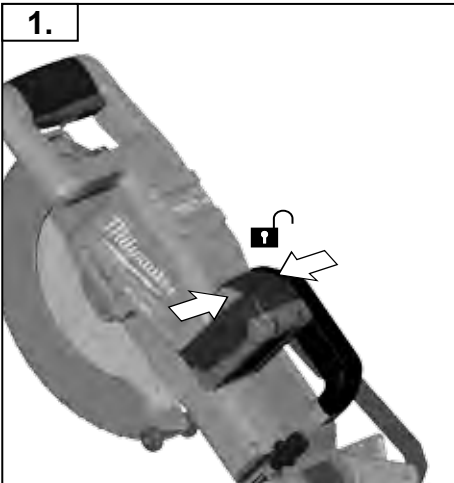
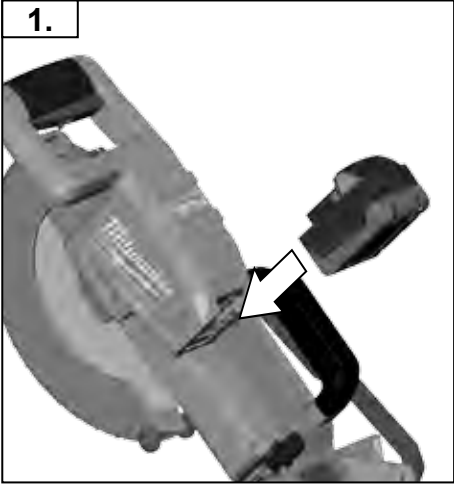
1.

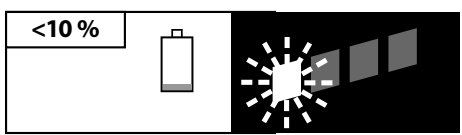
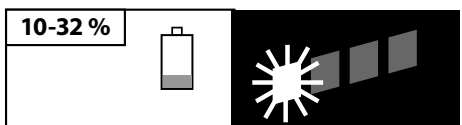
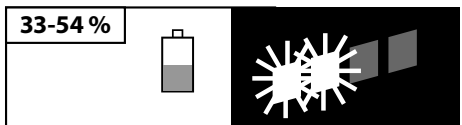
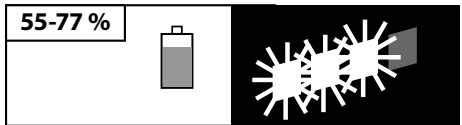
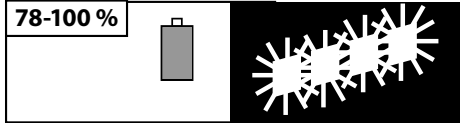
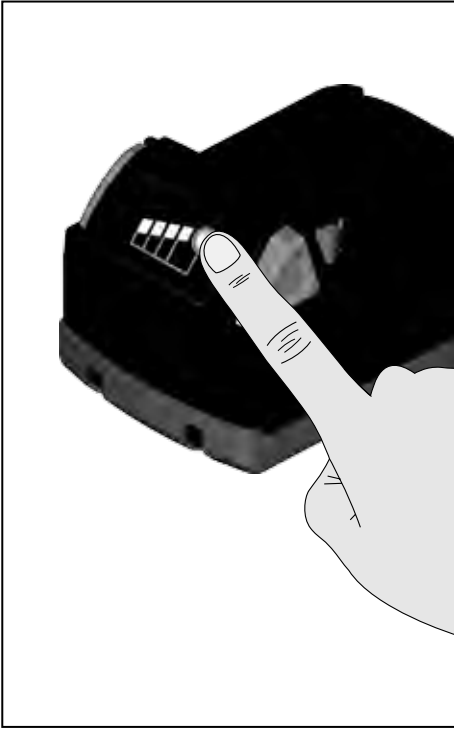


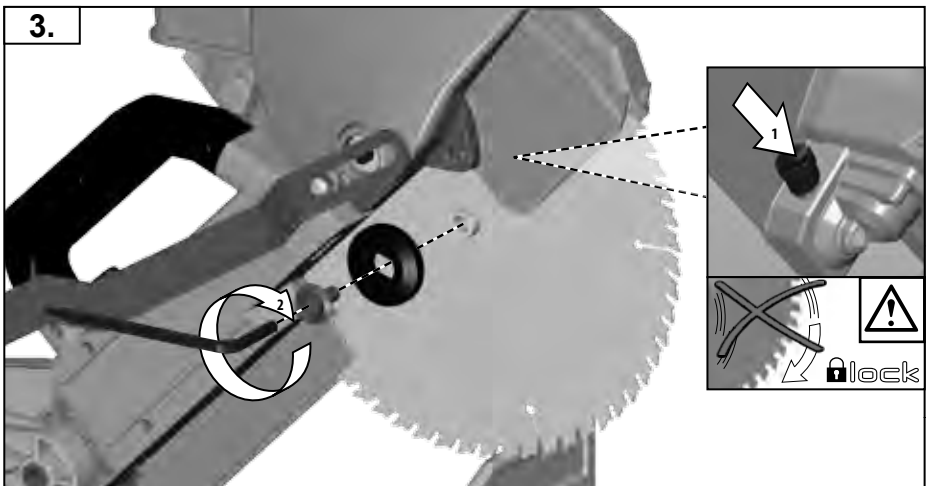
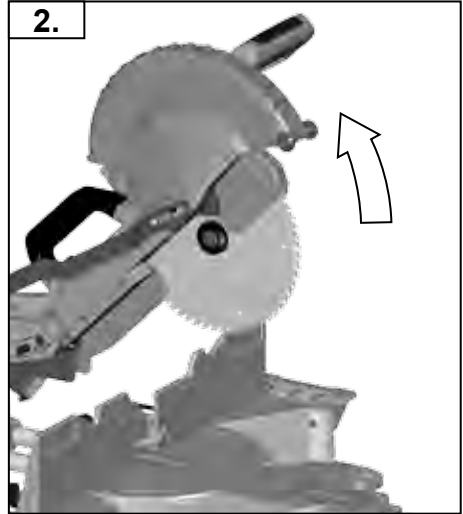
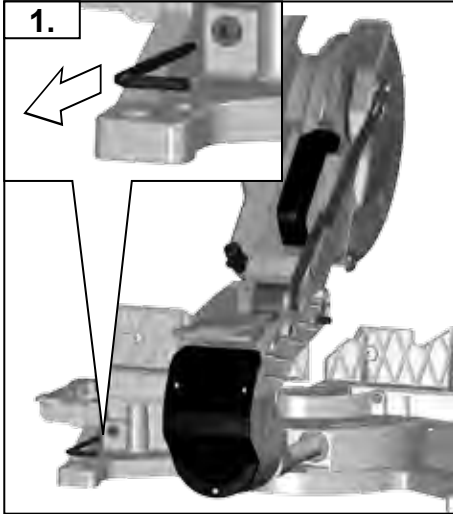
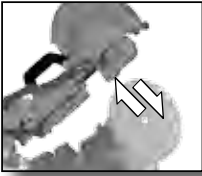
2.

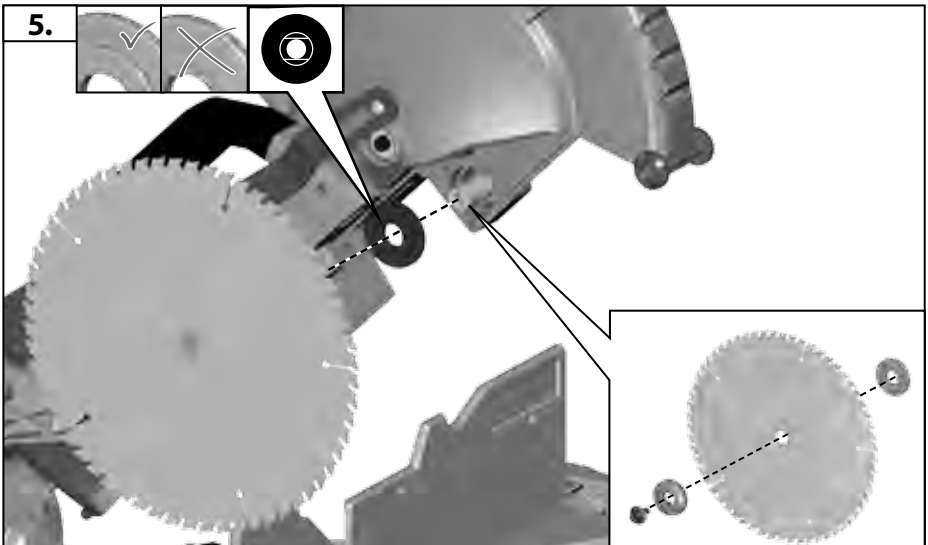
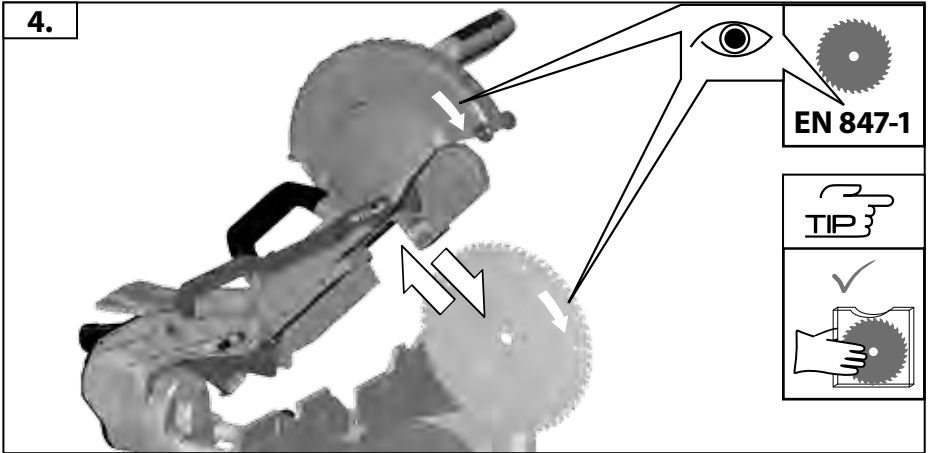
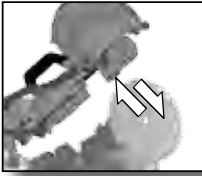


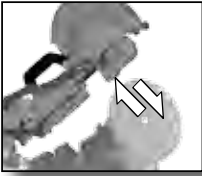




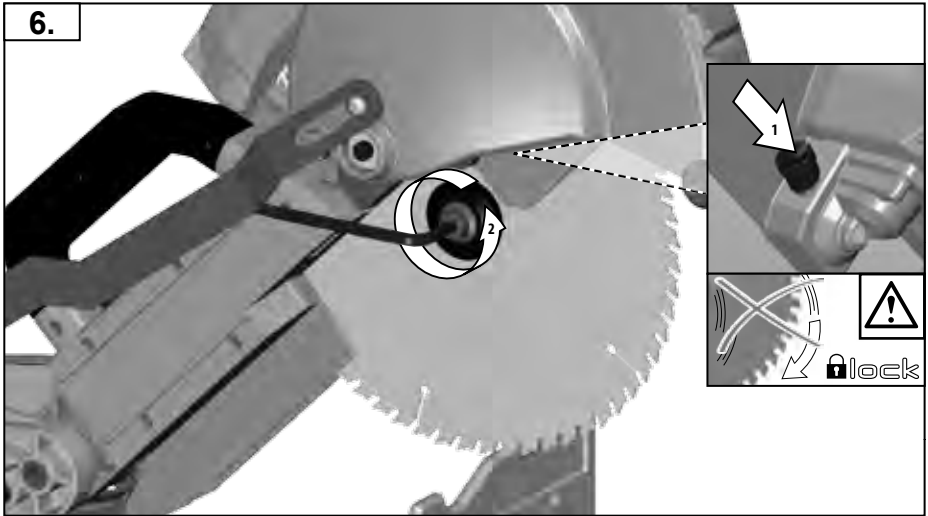




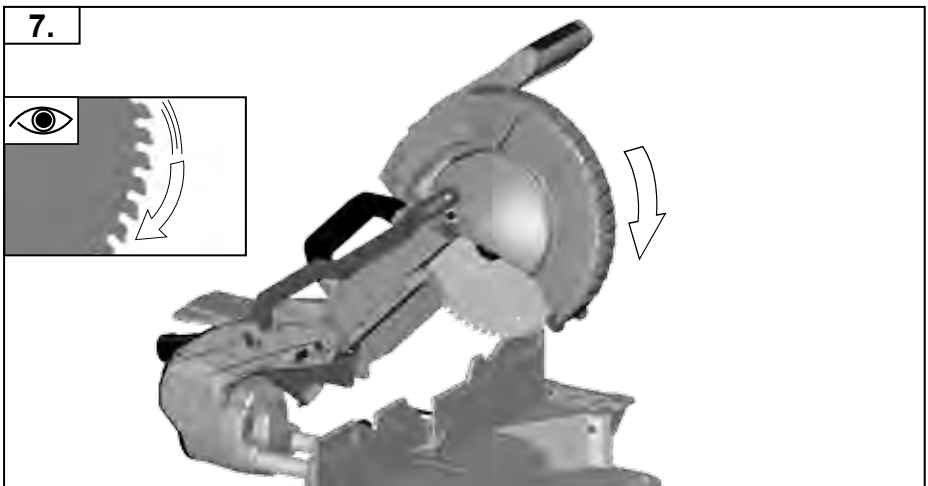


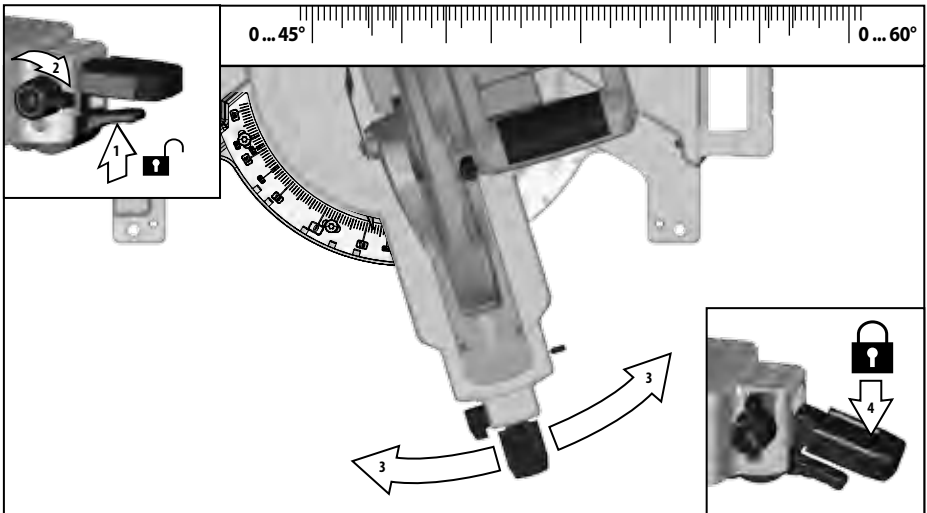
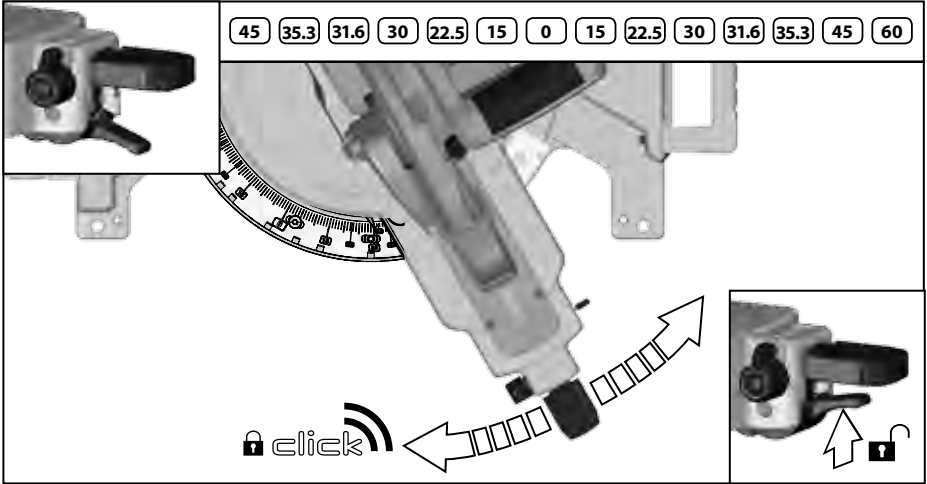
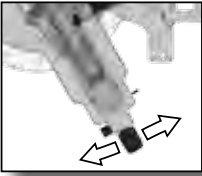


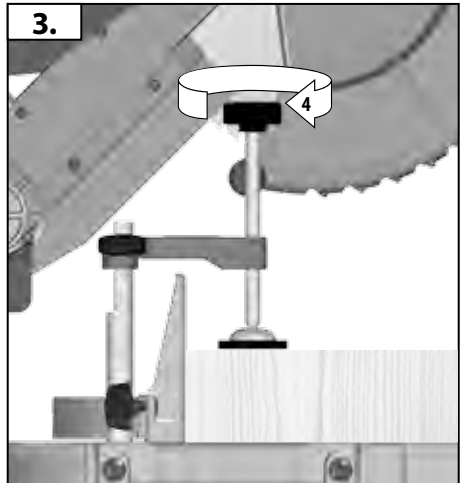
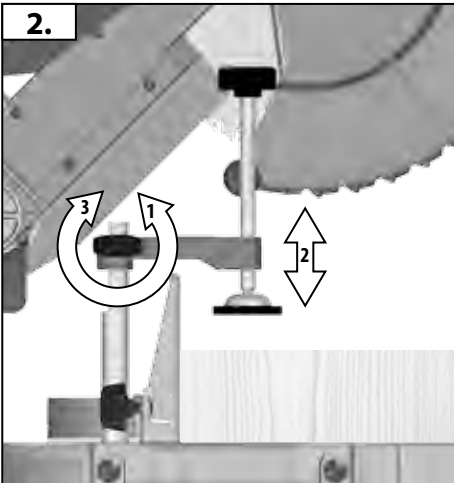
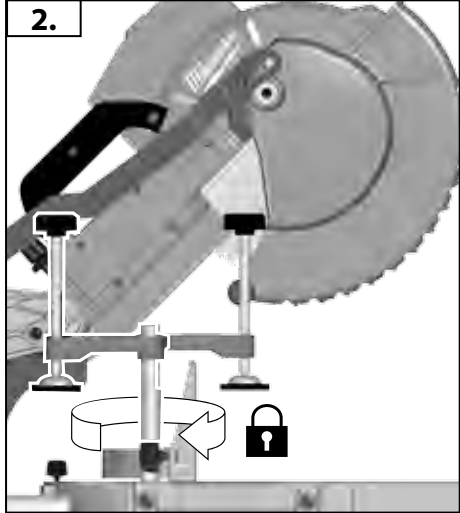
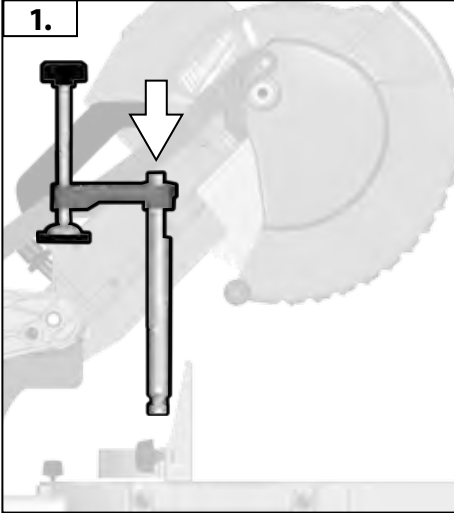
6.

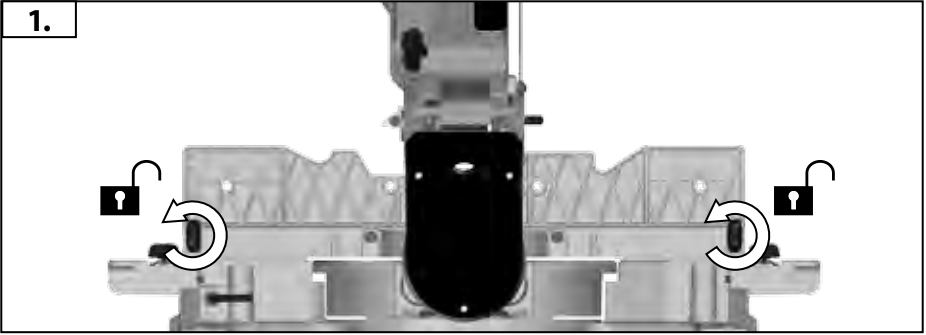
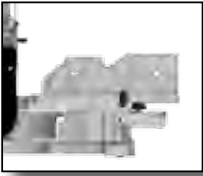


7.

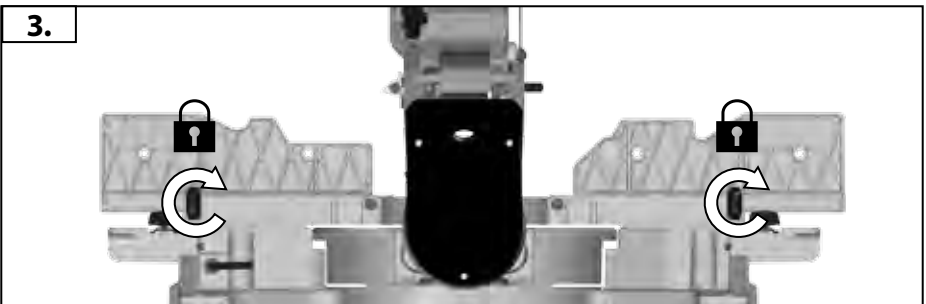
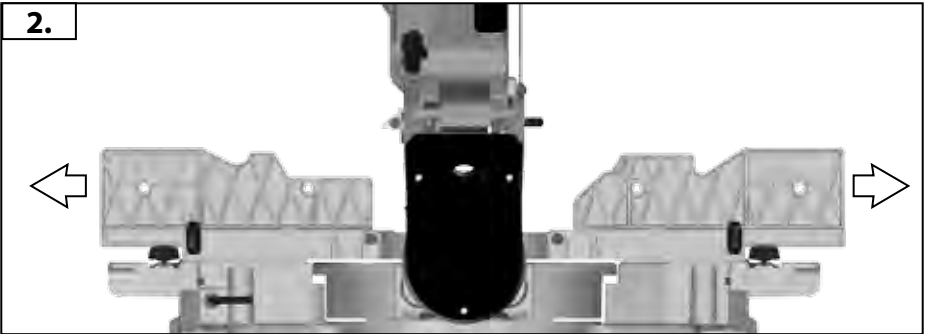






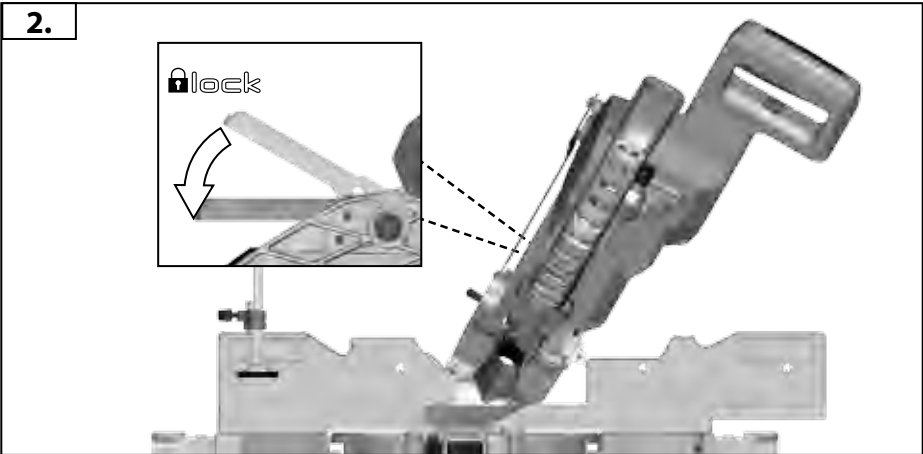
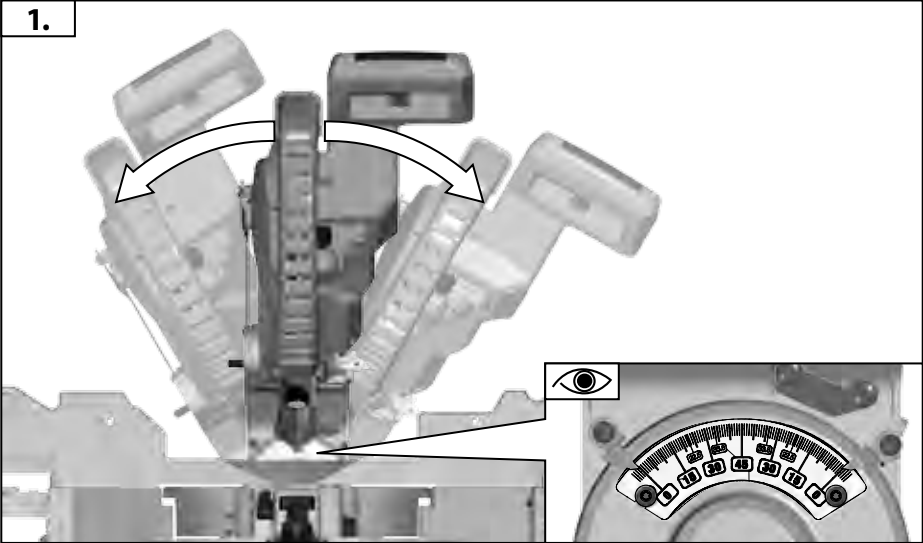


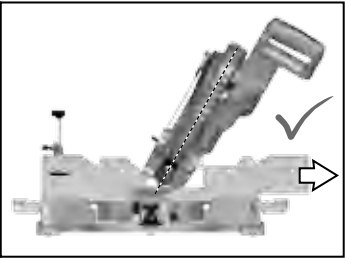
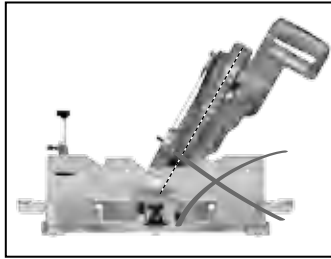
VI





VII

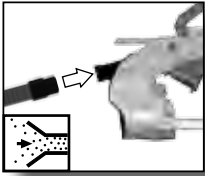




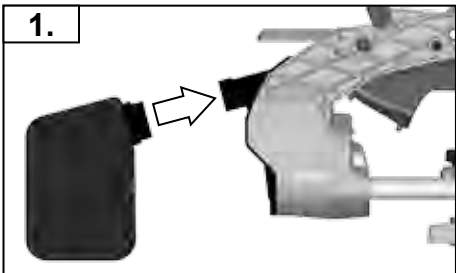
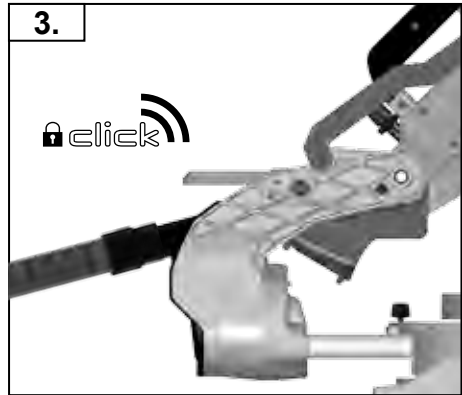
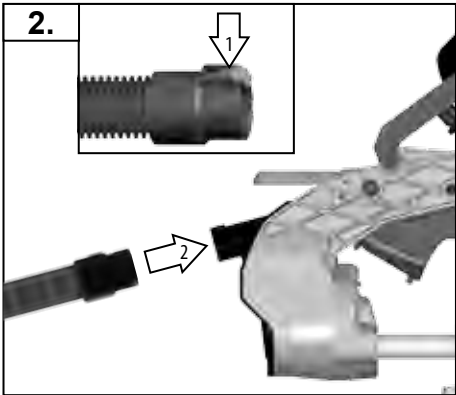
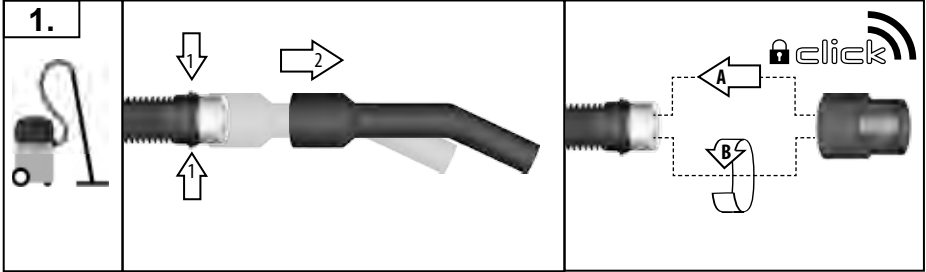
3. A 0 15 22.5 30 33.8 45 33.8 30 22.5 15 0

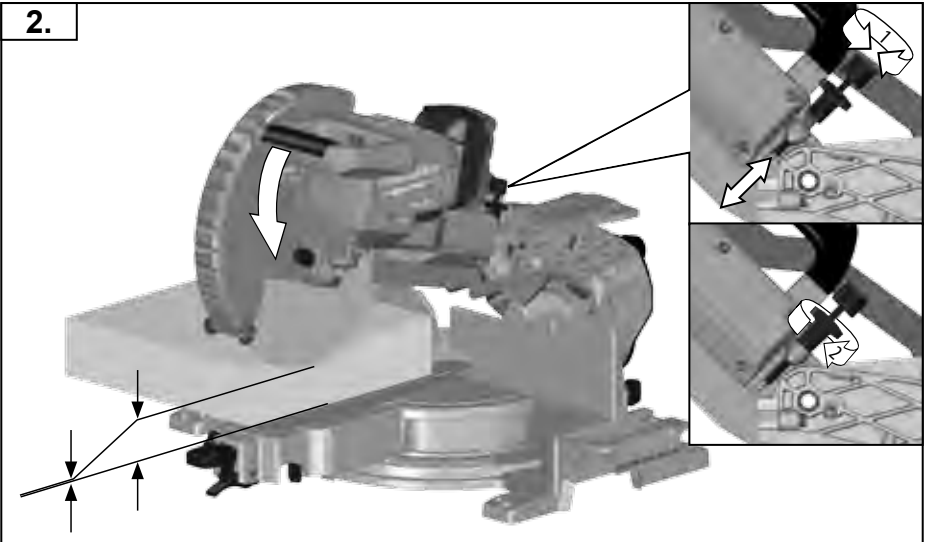
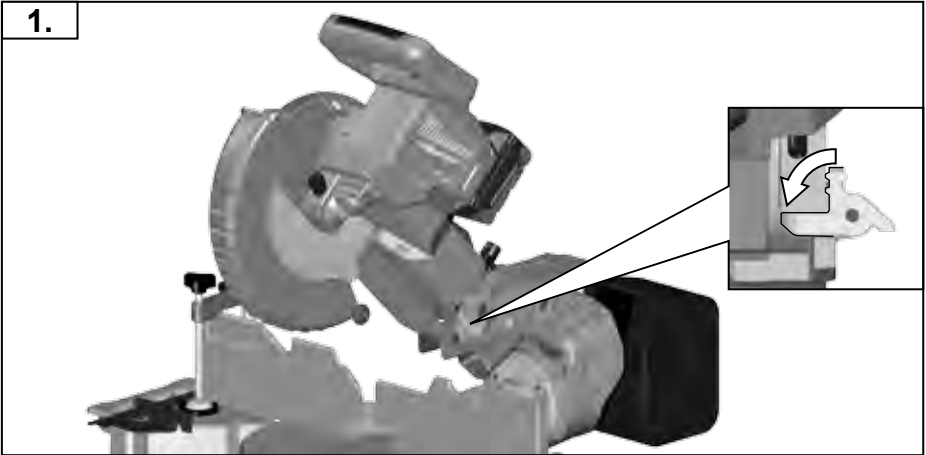
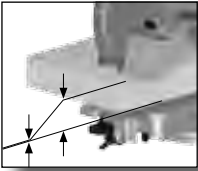
VII

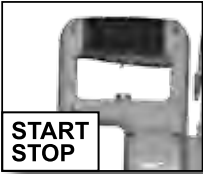
3. B 0...45° 0...45°



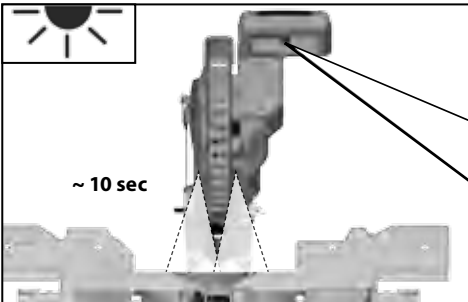
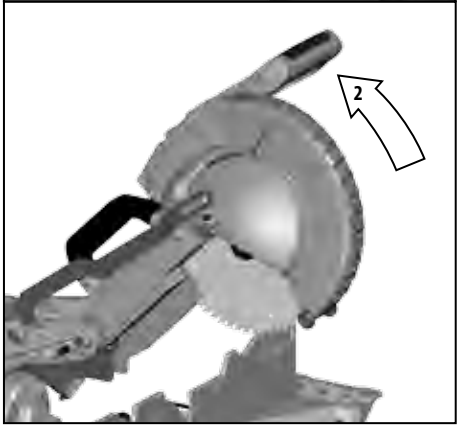
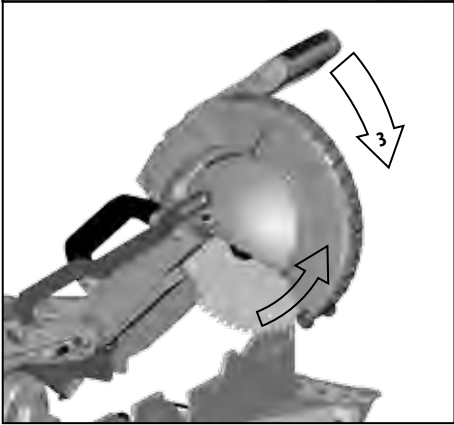
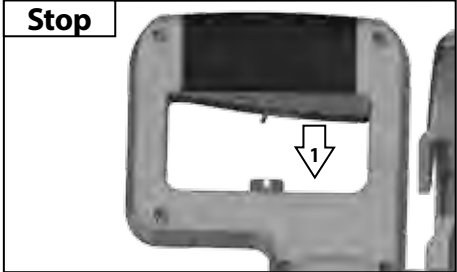
		
A	AS 2-250	4931 4472 95
B	AS 300 / 500	4931 4472 94

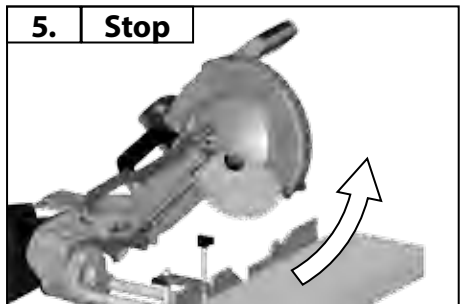
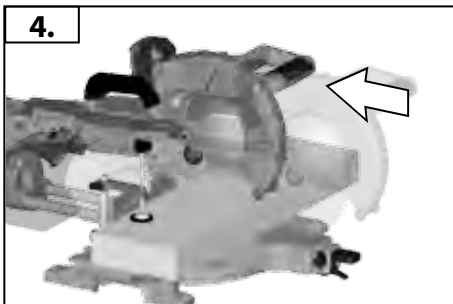
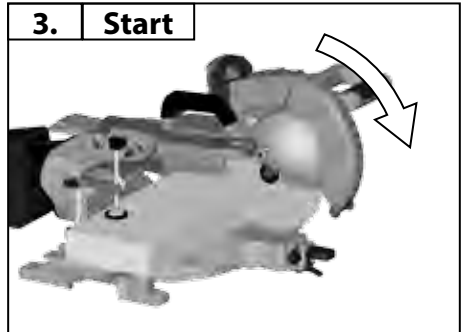
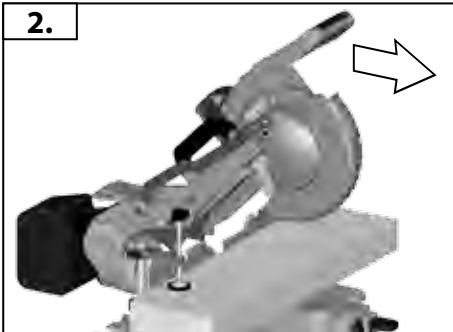
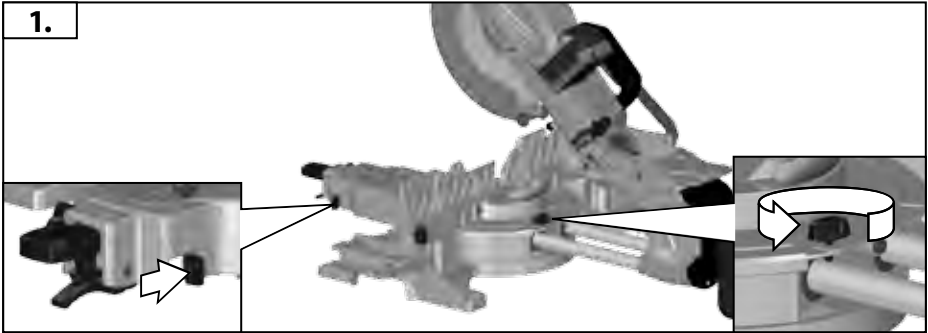
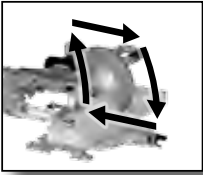


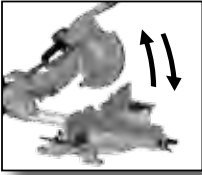




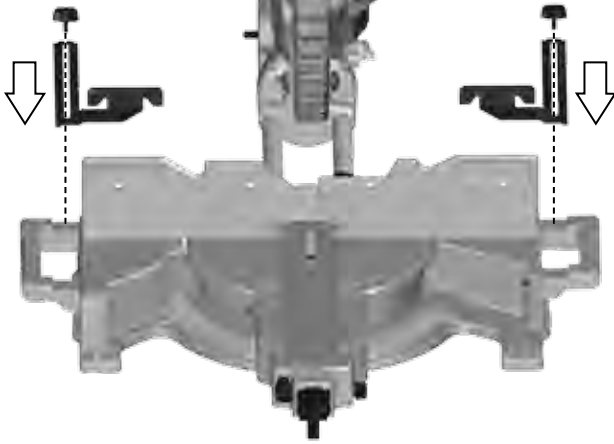
START
STOP
X



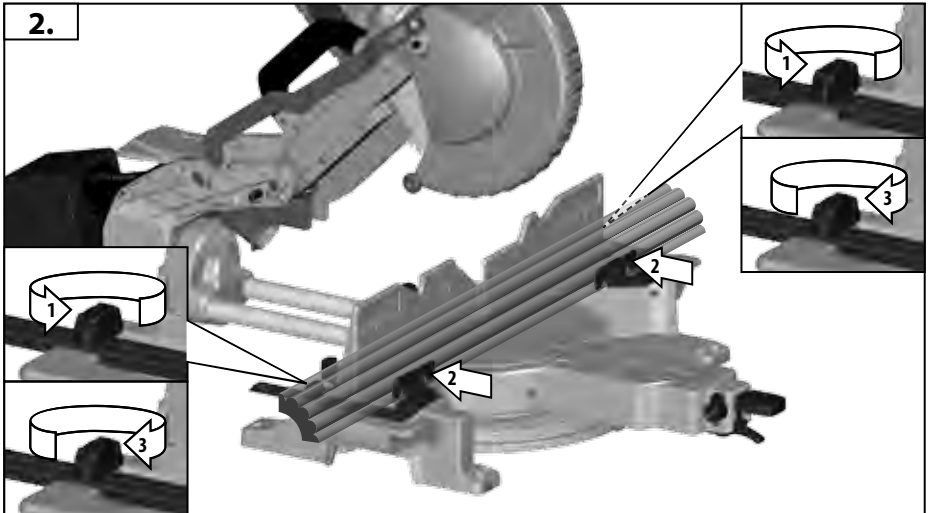


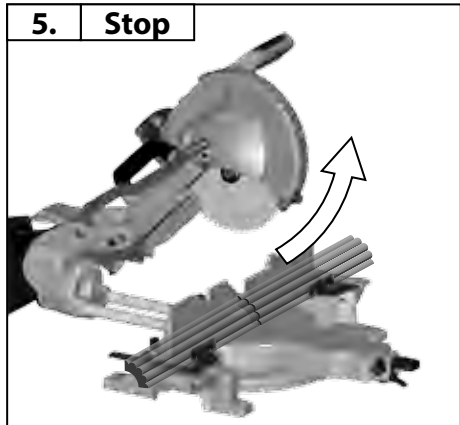
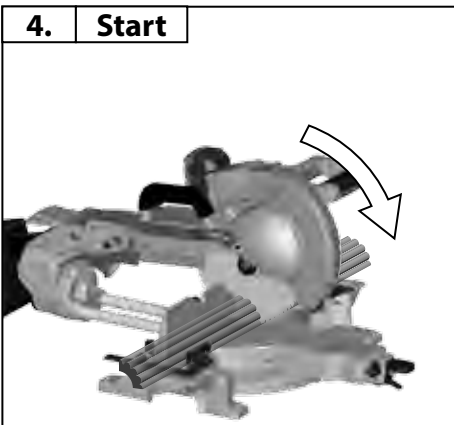
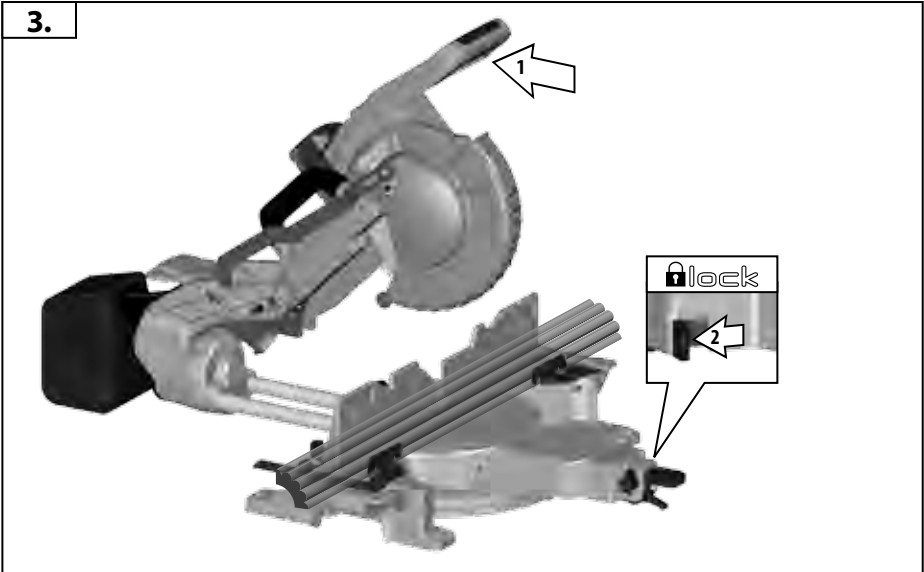
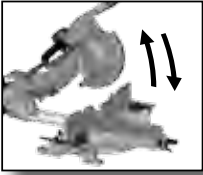


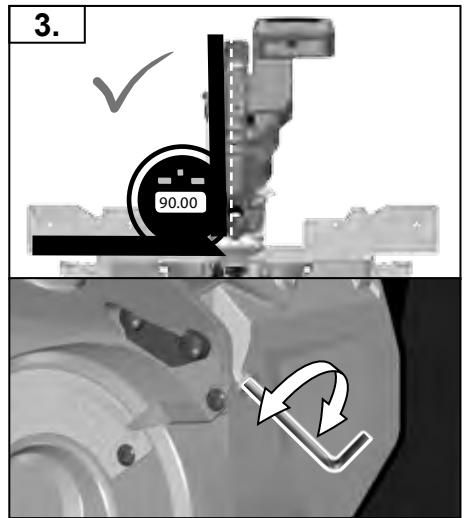
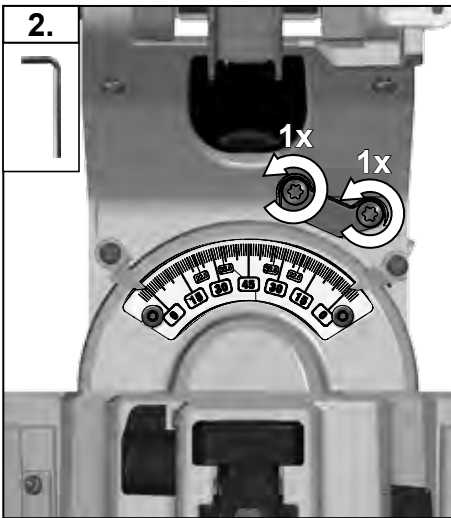
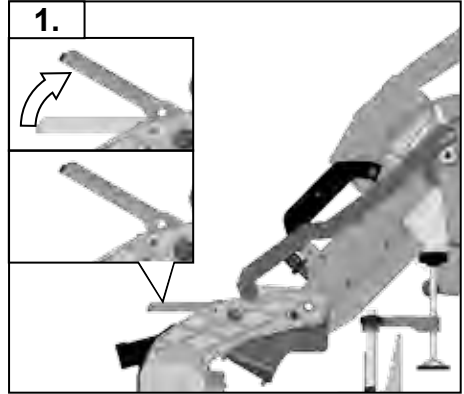
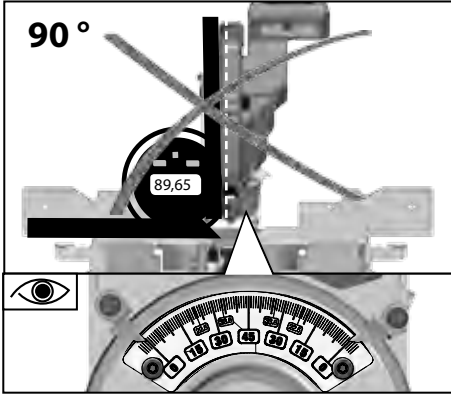
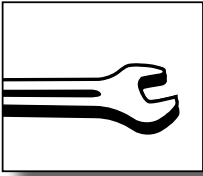
1.

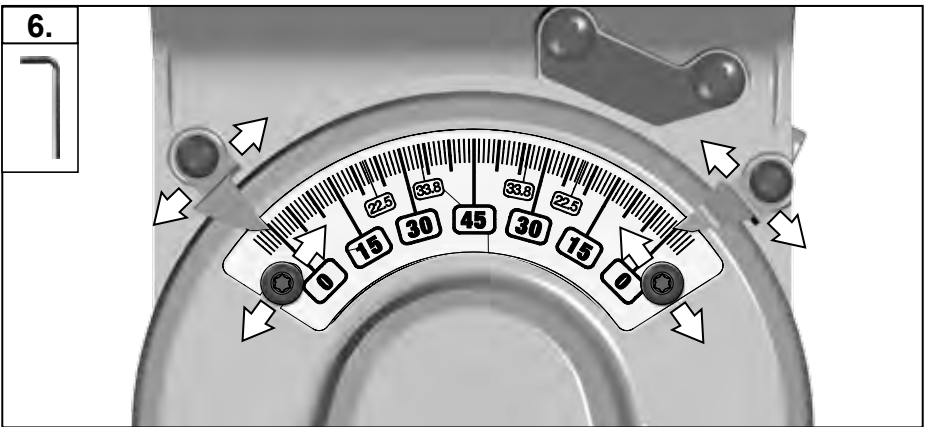
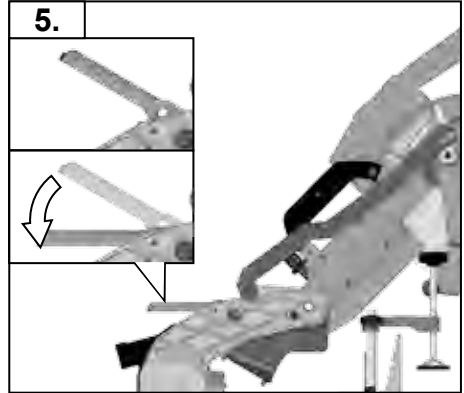
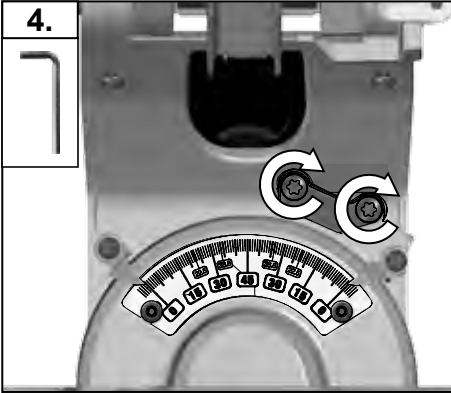
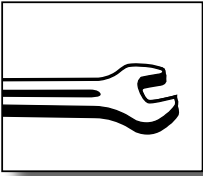


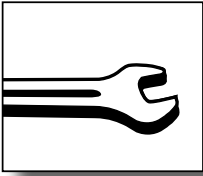
2.











If a correction of the 90° angle of the guide-plate to the saw blade is necessary, use the correction screw.

Falls eine Korrektur des 90° Winkels der Führungsplatte zum Sägeblatt nötig ist, diese mit der Korrekturschraube durchführen

Si une correction de l'angle à 90° de la plaque de base par rapport à la lame de scie s'avère nécessaire, il convient alors d'avoir recours à la vis de correction.

Nella caso in cui si rendesse necessaria una correzione dell'angolo di 90° della piastra di base rispetto alla lama, questa potrà essere effettuata agendo sulla vite di correzione.

Si es necesario un ajuste o corrección de perpendicularidad (90°) del disco de sierra actuar sobre el tornillo de ajuste.

Caso se torne necessário corrigir a esquadria da base em relação ao disco de corte, agir sobre o parafuso de afinação.

Indien een correctie van de 90° hoek van de bodemplaat ten opzichte van het zaagblad nodig is kan deze worden gecorrigeerd met de correctieschroef.

Såfremt det er nødvendigt med en korrektion af bundpladens 90° vinkel i forhold til savklingen, gennemføres denne med korrektionsskruen.

Hvis det er nødvendigt å foreta en justering av 90°-vinkelen på foringsplaten i forhold til sagbladet, må dette gjøres med justeringsskruen.

Med stålskruv är det möjligt att justera 90°-vinkeln, bottenplatta till sägklingen.

Mikäli pohjalevyn 90°-kulman oikaisu sahanterään nähden on tarpeen, oikaisu suoritetaan oikaisuuvivasta.

Kilavuz levhamn testere brçağına 90°lik konumunda bir düzeltme gerekiyorsa, bunu düzeltme vidası ile yapın.

Je-li nutná oprava kolmosti vodič desky k pilovému kotouči, provedte to nastavovacím šroubem.

Ak je potrebná korektúra 90° uhlu vodiacej platne k pilovému listu, použite korekčnú skrutku.

Jeżeli konieczne jest skorygowanie kąta ustawienia płytki prowadzącej 90° w stosunku do brzoźszcota, należy wykorzystać do tego celu śrubę regulacyjną.

Ha az alaplap és a fűrészlap által bezárt 90 fokos szög korrekcióra szorul, használja az állító csavart.

Če je potrebna korektura 90° kota vodilne plošče k žaginemu listu, to opravite s pomočjo korekturnega vijaka.

Ako je potrebno korektura kuta vodeće ploče od 90° prema listu pile, ovu izvesti sa vijkom za korekturu.

Gadjijumā, ja nepieciešama atbalsta plāksnes 90° leņķa korekcija attiecībā pret zāģa ripu, izmantojiet korekcijas skrūvi.

Jei tarp kreipiamosios ir pjūklų reikalinga 90° laipsnių pataisa, tai atlikite pataisos varžtus.

Juhul kui on vaja parandada juhtplaadi 90° nurka saelehe suhtes, siis tehke seda korregeeriva kruviga.

Для регулировки угла 90 град направляющей шины пильного полотна служит

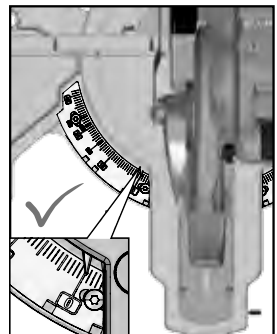
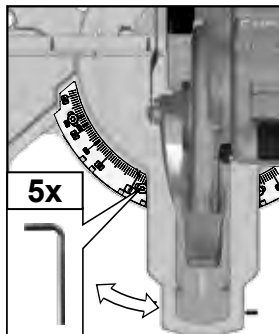
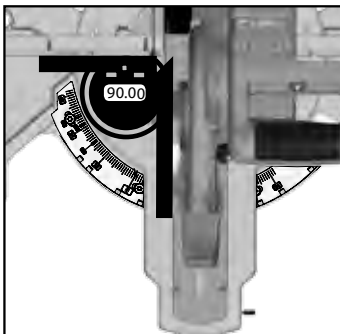
регулировочный винт. Ако е необходима корекция на ъгъла от 90° на водещата плоча спрямо режещия диск, направете я с коригиращия винт.

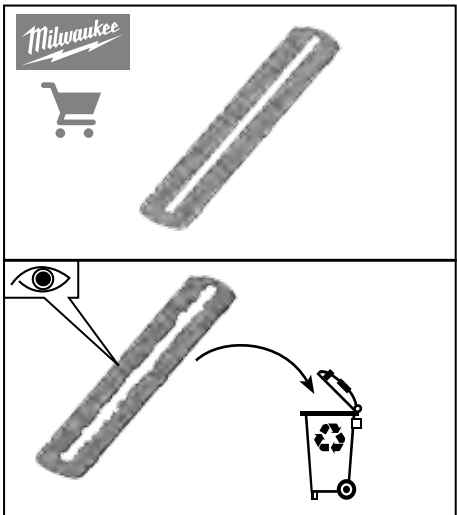
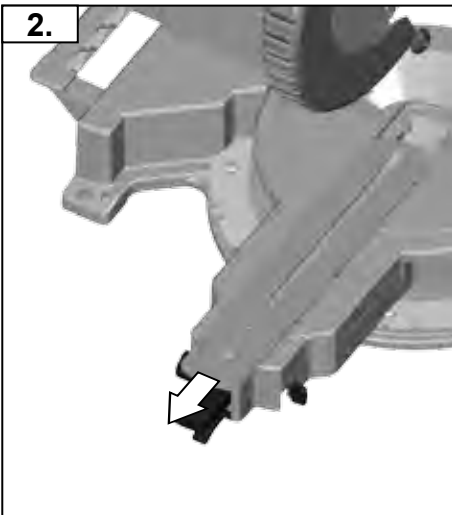
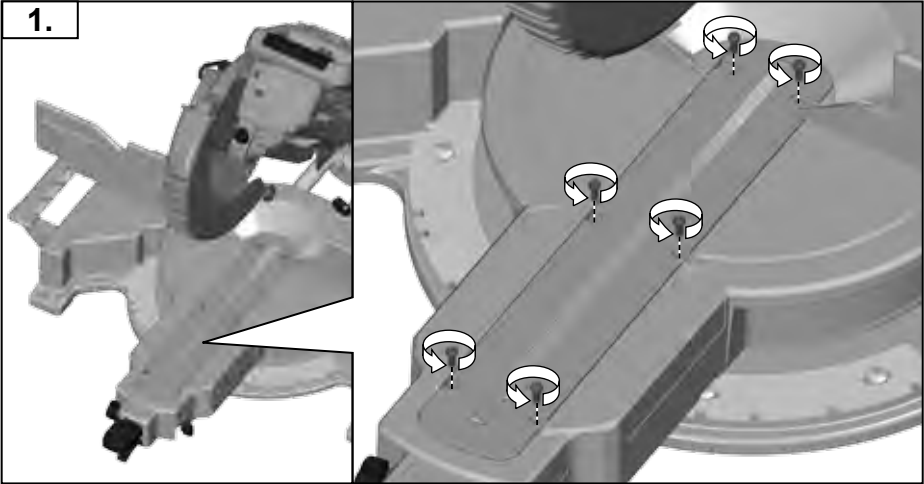
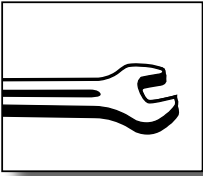
Dacă este necesară o corecție în unghi de 90° a plăcii de ghidare față de lama ferăstrăului, utilizați șurubul de corecție.

Доколку е потребно корегирање на аголот од 90° водечката површина кон сечилото на пилата, користете го шрафот за корекција.

Якщо необхідна корекція кута 90° напрямної пластини пилкового диску, виконати корекцію за допомогою регульовального гвинта

إذا تطلب الأمر تصحيح الزاوية القائمة للوحه التوجيه الخاصة بشفرة المنشار، استخدم برغي التصحيح للقيام بذلك.





Technical Data Mitsresaw	M18 FMS254
Production code	4569 52 01... ...000001 - 999999
No-load speed	4000 min ⁻¹
Battery voltage	18 V
Saw blade dia. x hole dia	254 x 30 mm
Saw blade body thickness max.	2 mm
Saw blade tooth thickness min.	2,8 mm
Cutting width max. Mitre 0°/ Inclination 0° Mitre 45°/ Inclination 0° Mitre 0°/ Inclination 45° Mitre 45°/ Inclination 45°	91 x 289 mm 91 x 205 mm 51 x 289 mm 51 x 205 mm
Weight according EPTA-Procedure 01/2003 (Li-Ion 5,0 Ah)	20,0 kg
Noise information Measured values determined according to EN 62841. Typically, the A-weighted noise levels of the tool are: Sound pressure level (Uncertainty K=3dB(A)) Sound power level (Uncertainty K=3dB(A))	90,5 db(A) 101,5 db (A)
Wear ear protectors!	



GB

⚠ WARNING Read all safety warnings, instructions, illustrations and specifications provided with this device. Failure to follow the warnings and instructions may result in electric shock, fire and/or serious injury.

Save all warnings and instructions for future reference.

⚠ SAFETY INSTRUCTIONS FOR MITRE SAWS

a) Mitre saws are intended to cut wood or wood-like products, they cannot be used with abrasive cut-off wheels for cutting ferrous material such as bars, rods, studs, etc. Abrasive dust causes moving parts such as the lower guard to jam. Sparks from abrasive cutting will burn the lower guard, the kerf insert and other plastic parts.

b) Use clamps to support the workpiece whenever possible. If supporting the workpiece by hand, you must always keep your hand at least 100 mm from either side of the saw blade. Do not use this saw to cut pieces that are too small to be securely clamped or held by hand. If your hand is placed too close to the saw blade, there is an increased risk of injury from blade contact.

c) The workpiece must be stationary and clamped or held against both the fence and the table. Do not feed the workpiece into the blade or cut "freehand" in any way. Unrestrained or moving workpieces could be thrown at high speeds, causing injury.

d) Push the saw through the workpiece. Do not pull the saw through the workpiece. To make a cut, raise the saw head and pull it out over the workpiece without cutting, start the motor, press the saw head down and push the saw through the workpiece. Cutting on the pull stroke is likely to cause the saw blade to climb on top of the workpiece and violently throw the blade assembly towards the operator.

e) Never cross your hand over the intended line of cutting either in front or behind the saw blade. Supporting the workpiece "cross handed" i.e. holding the workpiece to the right of the saw blade with your left hand or vice versa is very dangerous.

f) Do not reach behind the fence with either hand closer than 100 mm from either side of the saw blade, to remove wood scraps, or for any other reason while the blade is spinning. The proximity of the spinning saw blade to your hand may not be obvious and you may be seriously injured.

g) Inspect your workpiece before cutting. If the workpiece is bowed or warped, clamp it with the outside bowed face toward the fence. Always make certain that there is no gap between the workpiece, fence and table along the line of the cut. Bent or warped workpieces can twist or shift and may cause binding on the spinning saw blade while cutting. There should be no nails or foreign objects in the workpiece.

h) Do not use the saw until the table is clear of all tools, wood scraps, etc., except for the workpiece. Small debris or loose pieces of wood or other objects that contact the revolving blade can be thrown with high speed.

i) Cut only one workpiece at a time. Stacked multiple workpieces cannot be adequately clamped or braced and may bind on the blade or shift during cutting.

j) Ensure the mitre saw is mounted or placed on a level, firm work surface before use. A level and firm work surface reduces the risk of the mitre saw becoming unstable.

k) Plan your work. Every time you change the bevel or mitre angle setting, make sure the adjustable fence is set correctly to support the workpiece and will not interfere with the blade or the guarding system. Without turning the tool "ON" and with no workpiece on the table, move the saw blade through a complete simulated cut to assure there will be no interference or danger of cutting the fence.

l) Provide adequate support such as table extensions, saw horses, etc. for a workpiece that is wider or longer than the table top. Workpieces longer or wider than the mitre saw table can tip if not securely supported. If the cut-off piece or workpiece tips, it can lift the lower guard or be thrown by the spinning blade.

m) Do not use another person as a substitute for a table extension or as additional support. Unstable support for the

workpiece can cause the blade to bind or the workpiece to shift during the cutting operation pulling you and the helper into the spinning blade.

n) The cut-off piece must not be jammed or pressed by any means against the spinning saw blade. If confined, i.e. using length stops, the cut-off piece could get wedged against the blade and thrown violently.

o) Always use a clamp or a fixture designed to properly support round material such as rods or tubing. Rods have a tendency to roll while being cut, causing the blade to "bite" and pull the work with your hand into the blade.

p) Let the blade reach full speed before contacting the workpiece. This will reduce the risk of the workpiece being thrown.

q) If the workpiece or blade becomes jammed, turn the mitre saw off. Wait for all moving parts to stop and disconnect the plug from the power source and/or remove the battery pack. Then work to free the jammed material. Continued sawing with a jammed workpiece could cause loss of control or damage to the mitre saw.

r) After finishing the cut, release the switch, hold the saw head down and wait for the blade to stop before removing the cut-off piece. Reaching with your hand near the coasting blade is dangerous.

s) Hold the handle firmly when making an incomplete cut or when releasing the switch before the saw head is completely in the down position. The braking action of the saw may cause the saw head to be suddenly pulled downward, causing a risk of injury.

Additional Safety and Working Instructions

Wear ear protectors. Exposure to noise can cause hearing loss.

Always wear goggles when using the machine. It is recommended to wear gloves, sturdy non slipping shoes and apron.

The dust produced when using this tool may be harmful to health. Do not inhale the dust. Use a dust absorption system and wear a suitable dust protection mask. Remove deposited dust thoroughly, e.g. with a vacuum cleaner.

Connect the saw to a dust-collecting device when sawing wood.

Wear gloves!

Before using the tool please read the instructions. If possible have the tool demonstrated.

Ensure that the machine is always stable and secure (e.g. fixed to a bench)

Keep the floor area free of loose material e.g. chips and cut-offs.

Do not use saw blades which are damaged or deformed

Do not use saw blades not corresponding to the key data given in these instructions for use.

Only use tools that meet standard EN 847-1.

Do not use saw blades made of high-speed steel.

It is necessary to select a saw blade which is suitable for the material being cut.

The rated speed of the accessory must be at least equal to the maximum speed marked on the power tool. Accessories running faster than their rated speed can break and fly apart.

Transport and store the tools in a suitable receptacle;

Do not use any flanges other than those supplied or indicated in the instruction manual to secure the saw blade.

Never use the mitre saw to cut materials other than those specified in the instruction manual.

Only use the saw with guards in good working order and properly maintained, and in position.

Refrain from removing any cut-offs or other parts of the workpiece from the cutting area whilst the machine is running and the saw head is not in the rest position.

Never reach into the danger area of the machine when it is running. Always use the protective shields on the machine.

Any faults with the machine, including any related to the safeguard or the saw blades, must be reported to the persons in charge of safety as soon as the faults are discovered.

Do not clamp the protective swing guard.

Long workpieces must be adequately supported.

The handle lock must always be engaged when transporting the mitre saw.

When performing mitre, bevel or compound mitre cuts, adjust the sliding fence to ensure the correct clearance from the blade.

Adapt the feed speed to avoid overheating the blade tips and to avoid melting plastic materials during cutting.

SPECIFIED CONDITIONS OF USE

The mitre saw can be used for sawing solid wood, bonded wood, glued veneer, materials similar to wood, and plastics.

Stock having a round or irregular cross section (such as firewood) must not be cut, as it can not be securely held during cutting. When sawing thin stock layed on edge, a suitable auxiliary fence must be used for firm support.

RESIDUAL RISK

Even when the product is used as prescribed, it is still impossible to completely eliminate certain residual risk factors. The following hazards may arise in use and the operator should pay special attention to avoid the following:

- Impairment of hearing, restrict exposure and wear appropriate hearing protection.
- Measures that can be taken by operator to possibly reduce the effects of vibration and limit the amount of exposure.
- Health hazards caused by breathing dust developed when sawing wood, wear a mask if necessary.

BATTERIES

Battery packs which have not been used for some time should be recharged before use.

Temperatures in excess of 50°C (122°F) reduce the performance of the battery pack. Avoid extended exposure to heat or sunshine (risk of overheating).

The contacts of chargers and battery packs must be kept clean.

For an optimum life-time, the battery packs have to be fully charged, after use.

To obtain the longest possible battery life remove the battery pack from the charger once it is fully charged.

For battery pack storage longer than 30 days: Store the battery pack where the temperature is below 27°C and away from moisture. Store the battery packs in a 30% - 50% charged condition. Every six months of storage, charge the pack as normal.



TRANSPORTING LITHIUM BATTERIES

Lithium-ion batteries are subject to the Dangerous Goods Legislation requirements.

Transportation of those batteries has to be done in accordance with local, national and international provisions and regulations.

The user can transport the batteries by road without further requirements.

Commercial transport of Lithium-Ion batteries by third parties is subject to Dangerous Goods regulations. Transport preparation and transport are exclusively to be carried out by appropriately trained persons and the process has to be accompanied by corresponding experts.

When transporting batteries:

Ensure that battery contact terminals are protected and insulated to prevent short circuit. Ensure that battery pack is secured against movement within packaging. Do not transport batteries that are cracked or leak. Check with forwarding company for further advice

BATTERY PACK PROTECTION

In extremely high torque, binding, stalling and short circuit situations that cause high current draw, the tool will vibrate for about 5 seconds, the fuel gauge will flash, and then the tool will turn OFF. To reset, release the trigger.

Under extreme circumstances, the internal temperature of the battery pack could raise too much. If this happens, the fuel gauge will flash until the battery pack cooled down. After the lights go off, the work may continue.

Place the battery on the charger to charge and reset it.

MAINTENANCE

Remove the battery pack before starting any work on the appliance.

Be sure to disconnect the tool from the power supply before attaching or removing the saw blade.

Replace the table insert when worn

Clean tool and guarding system with dry cloth.

The ventilation slots of the machine must be kept clear at all times.

Use only Milwaukee accessories and Milwaukee spare parts. Should components need to be replaced which have not been described, please contact one of our Milwaukee service agents (see our list of guarantee/service addresses).

If needed, an exploded view of the tool can be ordered. Please state the Article No. as well as the machine type printed on the label and order the drawing at your local service agents or directly at: Techtronic Industries GmbH, Max-Eyth-Straße 10, 71364 Winnenden, Germany.

EC-DECLARATION OF CONFORMITY

We declare under our sole responsibility that the product described under "Technical Data" fulfills all the relevant provisions of the directives

2011/65/EU (RoHS)

2006/42/EC

2014/30/EU

and the following harmonized standards have been used.

EN 62841-1:2015

EN 62841-3-9:2015

EN 55014-1:2006+A1:2009+A2:2011

EN 55014-2:2015

EN 61326-1:2013

EN 50581:2012



Winnenden, 2016-08-19

Alexander Krug / Managing Director
Authorized to compile the technical file
Techtronic Industries GmbH
Max-Eyth-Straße 10, 71364 Winnenden, Germany

SYMBOLS



CAUTION! WARNING! DANGER!



Remove the battery pack before starting any work on the appliance.



Please read the instructions carefully before starting the machine.



Always wear goggles when using the machine.



Wear ear protectors!



Wear gloves!



Danger area! Keep hands, fingers or arms away from this area.



Never expose tool to rain.



CAUTION! Do not stare at operating lamp.



Do not dispose of electric tools together with household waste material. Electric tools and electronic equipment that have reached the end of their life must be collected separately and returned to an environmentally compatible recycling facility. Check with your local authority or retailer for recycling advice and collection point.



European Conformity Mark



UkrSEPRO Conformity Mark



EurAsian Conformity Mark

English

Technische Daten Kapp- und Gehrungssäge	M18 FMS254
Produktionsnummer	4569 52 01... ...000001 - 999999
Leerlaufdrehzahl	4000 min ⁻¹
Spannung Wechselakku	18 V
Sägeblatt- \varnothing x Bohrungs- \varnothing	254 x 30 mm
Stammblattdicke max.	2 mm
Sägeblatt-Zahndicke min.	2,8 mm
Schnittbreite max.	
Gehrung 0° / Neigung 0°	91 x 289 mm
Gehrung 45° / Neigung 0°	91 x 205 mm
Gehrung 0° / Neigung 45°	51 x 289 mm
Gehrung 45° / Neigung 45°	51 x 205 mm
Gewicht nach EPTA-Prozedur 01/2003 (Li-Ion 5,0 Ah)	20,0 kg
Geräuschinformation	
Messwerte ermittelt entsprechend EN 62841. Der A-bewertete Geräuschpegel des Gerätes beträgt typischerweise:	
Schalldruckpegel (Unsicherheit K=3dB(A))	90,5 db(A)
Schallleistungspegel (Unsicherheit K=3dB(A))	101,5 db (A)
Gehörschutz tragen!	



D

⚠️ WARNUNG Lesen Sie alle Sicherheitshinweise, Anweisungen, Darstellungen und Daten, die Sie mit dem Gerät erhalten. Versäumnisse bei der Einhaltung der Sicherheitshinweise und Anweisungen können elektrischen Schlag, Brand und/oder schwere Verletzungen verursachen. **Bewahren Sie alle Sicherheitshinweise und Anweisungen für die Zukunft auf.**

**⚠️ SICHERHEITSHINWEISE FÜR
GEHRUNGSKAPPSÄGEN**

- a) Gehrungskappsägen sind zum Schneiden von Holz oder holzartigen Produkten vorgesehen, sie können nicht zum Schneiden von Eisenwerkstoffen wie Stäben, Stangen, Schrauben usw. verwendet werden. Abrasiver Staub führt zum Blockieren von beweglichen Teilen wie der unteren Schutzhaube. Schneidfunken verbrennen die untere Schutzhaube, die Einlegeplatte und andere Kunststoffteile.
- b) Fixieren Sie das Werkstück nach Möglichkeit mit Zwingen. Wenn Sie das Werkstück mit der Hand festhalten, müssen Sie Ihre Hand immer mindestens 100 mm von jeder Seite des Sägeblatts entfernt halten. Verwenden Sie diese Säge nicht zum Schneiden von Stücken, die zu klein sind, um sie einzuspannen oder mit der Hand zu halten. Wenn Ihre Hand zu nah am Sägeblatt ist, kann sie leicht vom Blatt erfasst werden.
- c) Schieben Sie das Werkstück nicht in das Sägeblatt, und schneiden Sie nie „freihändig“. Das Werkstück muss mit einer Zwinne eingespannt oder mit der Hand sicher festgehalten werden. Die Säge muss sich gleichmäßig durch das Werkstück arbeiten, mit einer Geschwindigkeit, die den Motor der Säge nicht überlastet.
- d) Schieben Sie die Säge durch das Werkstück. Vermeiden Sie es, die Säge durch das Werkstück zu ziehen. Für einen Schnitt heben Sie den Sägekopf und ziehen ihn über das Werkstück, ohne zu schneiden. Dann schalten Sie den Motor ein, schwenken die Sägeeinheit nach unten und drücken die Säge durch das Werkstück. Bei ziehendem Schnitt besteht die Gefahr, dass das Sägeblatt am Werkstück aufsteigt und

die Sägeblatteinheit dem Bediener gewaltsam entgegengeschleudert wird.

e) Kreuzen Sie nie die Hand über die vorgesehene Schnittlinie, weder vor noch hinter dem Sägeblatt. Abstützen des Werkstücks „mit gekreuzten Händen“, d.h. Halten des Werkstücks rechts neben dem Sägeblatt mit der linken Hand oder umgekehrt, ist sehr gefährlich.

f) Greifen Sie bei rotierendem Sägeblatt nicht hinter den Anschlag. Unterschreiten Sie nie einen Sicherheitsabstand von 100 mm zwischen Hand und rotierendem Sägeblatt (gilt auf beiden Seiten des Sägeblatts, z.B. beim Entfernen von Holzabfällen). Die Nähe des rotierenden Sägeblatts zu Ihrer Hand ist möglicherweise nicht erkennbar, und Sie können schwer verletzt werden.

g) Prüfen Sie das Werkstück vor dem Schneiden. Wenn das Werkstück gebogen oder verzogen ist, spannen Sie es mit der nach außen gekrümmten Seite zum Anschlag. Stellen Sie immer sicher, dass entlang der Schnittlinie kein Spalt zwischen Werkstück, Anschlag und Tisch ist. Gebogene oder verzogene Werkstücke können sich verdrehen oder wackeln und ein Klemmen des rotierenden Sägeblatts beim Schneiden verursachen. Es dürfen keine Nägel oder Fremdkörper im Werkstück sein.

h) Verwenden Sie die Säge erst, wenn der Tisch frei von Werkzeugen, Holzabfällen usw. ist; nur das Werkstück darf sich auf dem Tisch befinden. Kleine Abfälle, lose Holzstücke oder andere Gegenstände, die mit dem rotierenden Blatt in Berührung kommen, können mit hoher Geschwindigkeit weggeschleudert werden.

i) Schneiden Sie jeweils nur ein Werkstück. Mehrfach gestapelte Werkstücke lassen sich nicht angemessen spannen oder festhalten und können beim Sägen ein Klemmen des Blatts verursachen oder verrutschen.

j) Stellen Sie die Gehrungskappsäge vor Gebrauch auf eine ebene, feste Arbeitsfläche. Eine ebene und feste Arbeitsfläche verringert die Gefahr, dass die Gehrungskappsäge instabil wird.

k) Planen Sie Ihre Arbeit. Achten Sie bei jedem Verstellen der Sägeblattneigung oder des Gehrungswinkels darauf, dass der verstellbare Anschlag richtig justiert ist und das Werkstück abstützt, ohne mit dem Blatt oder der Schutzhaube in Berührung zu kommen. Ohne die Maschine einzuschalten und ohne Werkstück auf dem Tisch ist eine vollständige Schnittbewegung des Sägeblatts zu simulieren, um sicherzustellen, dass es nicht zu Behinderungen oder der Gefahr des Schneidens in den Anschlag kommt.

l) Sorgen Sie bei Werkstücken, die breiter oder länger als die Tischoberseite sind, für eine angemessene Abstützung, z.B. durch Tischverlängerungen oder Sägeböcke. Werkstücke, die länger oder breiter als der Tisch der Gehrungskappsäge sind, können kippen, wenn sie nicht fest abgestützt sind. Wenn ein abgeschnittenes Stück Holz oder das Werkstück kippt, kann es die untere Schutzhaube anheben oder unkontrolliert vom rotierenden Blatt weggeschleudert werden.

m) Ziehen Sie keine anderen Personen als Ersatz für eine Tischverlängerung oder zur zusätzlichen Abstützung heran. Eine instabile Abstützung des Werkstücks kann zum Klemmen des Blatts führen. Auch kann sich das Werkstück während des Schnitts verschieben und Sie und den Helfer in das rotierende Blatt ziehen.

n) Das abgeschnittene Stück darf nicht gegen das rotierende Sägeblatt gedrückt werden. Wenn wenig Platz ist, z.B. bei Verwendung von Längsanschlägen, kann sich das abgeschnittene Stück mit dem Blatt verkeilen und gewaltsam weggeschleudert werden.

o) Verwenden Sie immer eine Zwinde oder eine geeignete Vorrichtung, um Rundmaterial wie Stangen oder Rohre ordnungsgemäß abzustützen. Stangen neigen beim Schneiden zum Wegrollen, wodurch sich das Blatt „festbeißen“ und das Werkstück mit Ihrer Hand in das Blatt gezogen werden kann.

p) Lassen Sie das Blatt die volle Drehzahl erreichen, bevor Sie in das Werkstück schneiden. Dies hilft, ein Fortschleudern des Werkstücks zu vermeiden.

q) Wenn das Werkstück eingeklemmt wird oder das Blatt blockiert, schalten Sie die Gehrungskappsäge aus. Warten Sie, bis alle beweglichen Teile zum Stillstand gekommen sind, ziehen Sie den Netzstecker und/oder nehmen Sie den Akku heraus. Entfernen Sie anschließend das eingeklemmte Material. Wenn Sie bei einer solchen Blockierung weitersägen, kann es zum Verlust der Kontrolle oder zu Beschädigungen der Gehrungskappsäge kommen.

r) Lassen Sie nach beendetem Schnitt den Schalter los, halten Sie den Sägekopf unten und warten Sie den Stillstand des Blatts ab, bevor Sie das abgeschnittene Stück entfernen. Es ist sehr gefährlich, mit der Hand in die Nähe des auslaufenden Blatts zu reichen.

s) Die Bremswirkung der Säge führt dazu, dass der Sägekopf ruckartig nach unten gezogen wird. Seien Sie auf diese Reaktion vorbereitet, wenn Sie einen unvollständigen Schnitt machen oder den Schalter loslassen, bevor der Sägekopf die untere Endlage erreicht hat.

Weitere Sicherheits- und Arbeitshinweise

Tragen Sie Gehörschutz. Die Einwirkung von Lärm kann Gehörverlust bewirken.

Beim Arbeiten mit der Maschine stets Schutzbrille tragen. Schutzhandschuhe, festes und rutschsicheres Schuhwerk und Schürze werden empfohlen.

Beim Arbeiten entstehender Staub ist oft gesundheitsschädlich und sollte nicht in den Körper gelangen. Staubabsaugung verwenden und zusätzlich geeignete Staubschutzmaske tragen. Abgelagerten Staub gründlich entfernen, z.B. Aufsaugen.

Schließen Sie die Säge an einen Staubabsauger an, beim Sägen von Holz.

Schutzhandschuhe tragen!

Es wird empfohlen, vor dem erstmaligen Gebrauch des Gerätes die Bedienungsanleitung sorgfältig zu lesen und sich in die praktische Handhabung einweisen zu lassen.

Sicherstellen, dass die Maschine stets einen sicheren Stand hat (z.B. befestigen an der Werbank).

Den Boden von Materialresten z.B. Späne und Sägereste freihalten.

Keine Sägeblätter benutzen die beschädigt oder verformt sind.

Sägeblätter, die nicht den Kenndaten in dieser Gebrauchsanweisung entsprechen, dürfen nicht verwendet werden.

Es dürfen nur Werkzeuge verwendet werden, die EN 847-1 entsprechen.

Keine aus Schnellarbeitsstahl gefertigten Sägeblätter verwenden.

Ein für den zu schneidenden Werkstoff geeignetes Sägeblatt auswählen.

Die zulässige Drehzahl des Einsatzwerkzeugs muss mindestens so hoch sein wie die auf dem Elektrowerkzeug angegebene Höchstdrehzahl. Zubehör, das sich schneller als zulässig dreht, kann zerbrechen und umherfliegen.

Die Werkzeuge müssen in einem geeigneten Behältnis transportiert und aufbewahrt werden.

Nur die beigelagten und in der Bedienungsanleitung abgebildeten Flansche zum Befestigen des Sägeblattes verwenden.

Die Kappsäge niemals zum Schneiden anderer als in der Bedienungsanleitung angegebenen Werkstoffe verwenden.

Die Kappsäge nur mit sicher funktionierender und gut gewarteten Schutzhaube benutzen. Die Schutzhaube muss selbsttätig zurückschwenken.

Keine Sägereste oder andere Teile von Werkstücken aus dem Sägebereich entfernen wenn die Maschine läuft und der Sägekopf nicht in der Ruhestellung ist.

Nicht in den Gefahrenbereich der laufenden Maschine greifen.

Schutzeinrichtung der Maschine unbedingt verwenden.

Fehler in der Maschine, einschließlich der Schutzeinrichtung oder der Sägeblätter, sind, so bald sie entdeckt werden, der für die Sicherheit verantwortlichen Person zu melden.

Die Pendelschutzhaube darf im geöffneten Zustand nicht festgeklemmt werden.

Lange Werkstücke sind geeignet abzustützen.

Die Kappsäge nur mit eingerasteter Transportsicherung am Handgriff transportieren.

Stellen Sie bei der Ausführung von Gehrungs-, Neigungs- oder Doppelgehrungsschnitten den Gleitanschlag so ein, daß das richtige Spiel für die Aufgabe sichergestellt wird.



D

Vermeiden Sie durch eine angepasste Vorschubgeschwindigkeit die Überhitzung der Sägeblattzähne, und beim Schneiden von Kunststoffen das Schmelzen des Materials.

BESTIMMUNGSGEMÄSSE VERWENDUNG

Die Kappsäge ist einsetzbar zum Sägen von Massivhölzern, verleimten Hölzern, holzähnlichen Werkstoffen und Kunststoffen.

Werkstücke mit rundem oder unregelmäßigem Querschnitt (z.B. Brennholz) dürfen nicht gesägt werden, da diese beim Sägen nicht sicher gehalten werden. Beim Hochkantsägen von flachen Werkstücken muss ein geeigneter Hilfsanschlag zur sicheren Führung verwendet werden.

RESTGEFAHREN

Selbst bei ordnungsgemäßem Gebrauch des Produkts lassen sich Restgefahren nicht vollständig ausschließen. Bei der Verwendung können folgende Risiken auftreten, weshalb der Bediener Folgendes beachten sollte:

- Um Gehörschäden zu vermeiden, ist die Expositionszeit zu beschränken und geeigneter Gehörschutz zu tragen.
- Der Bediener sollte Maßnahmen ergreifen, um die Auswirkungen der Vibrationen zu reduzieren und die Expositionszeit zu begrenzen.
- Es ist eine Atemschutzmaske zu tragen, um Gesundheitsrisiken zu vermeiden, die durch das Einatmen von Sägestaub entstehen können.

AKKUS

Längere Zeit nicht benutzte Wechselakkus vor Gebrauch nachladen.

Eine Temperatur über 50°C vermindert die Leistung des Wechselakkus. Längere Erwärmung durch Sonne oder Heizung vermeiden.

Die Anschlusskontakte an Ladegerät und Wechselakku sauber halten.

Für eine optimale Lebensdauer müssen nach dem Gebrauch die Akkus voll geladen werden.

Für eine möglichst lange Lebensdauer sollten die Akkus nach dem Aufladen aus dem Ladegerät entfernt werden.

Bei Lagerung des Akkus länger als 30 Tage: Akku bei ca. 27°C und trocken lagern. Akku bei ca. 30%-50% des Ladezustandes lagern. Akku alle 6 Monate erneut aufladen.

TRANSPORT VON LITHIUM-IONEN-AKKUS

Lithium-Ionen-Akkus fallen unter die gesetzlichen Bestimmungen zum Gefahrguttransport.

Der Transport dieser Akkus muss unter Einhaltung der lokalen, nationalen und internationalen Vorschriften und Bestimmungen erfolgen.

Verbraucher dürfen diese Akkus ohne Weiteres auf der Straße transportieren.

Der kommerzielle Transport von Lithium-Ionen-Akkus durch Speditionsunternehmen unterliegt den Bestimmungen des Gefahrguttransports. Die Versandvorbereitungen und der Transport dürfen ausschließlich von entsprechend geschulten Personen durchgeführt werden. Der gesamte Prozess muss fachmännisch begleitet werden.

Folgende Punkte sind beim Transport von Akkus zu beachten:

Stellen Sie sicher, dass die Kontakte geschützt und isoliert sind, um Kurzschlüsse zu vermeiden. Achten Sie darauf, dass der Akkupack innerhalb der Verpackung nicht verrutschen kann. Beschädigte oder auslaufende Akkus dürfen nicht transportiert werden. Wenn Sie sich für weitere Hinweise an Ihr Speditionsunternehmen.

AKKUÜBERLASTSCHUTZ

Bei Überlastung des Akkus durch sehr hohen Stromverbrauch, z.B. extrem hohe Drehmomente, plötzlichem Stopp oder Kurzschluss, vibriert das Elektrowerkzeug 5 Sekunden lang, die Ladeanzeige blinkt und das Elektrowerkzeug schaltet sich selbsttätig ab.

Zum Wiedereinschalten, den Schalterdrücker loslassen und dann wieder einschalten.

Unter extremen Belastungen erhitzt sich der Akku zu stark. In diesem Fall blinken alle Lampen der Ladeanzeige bis der Akku abgekühlt ist. Nach Erlöschen der Ladeanzeige kann weitergearbeitet werden.

Den Akku dann in das Ladegerät stecken um ihn wieder aufzuladen und zu aktivieren.

WARTUNG

Vor allen Arbeiten am Gerät den Wechselakku herausnehmen.

Stellen Sie sicher, dass das Werkzeug von der Stromversorgung getrennt ist, bevor Sie das Sägeblatt anbringen oder abnehmen.

Abgenutzte Tischeinlage ersetzen.

Reinigen Sie Gerät und Schutzeinrichtung mit einem trockenen Tuch.

Stets die Lüftungsschlitze der Maschine sauber halten.

Nur Milwaukee Zubehör und Milwaukee Ersatzteile verwenden. Bauteile, deren Austausch nicht beschrieben wurde, bei einer Milwaukee Kundendienststelle auswechseln lassen (Broschüre Garantie/Kundendienstadressen beachten).

Bei Bedarf kann eine Explosionszeichnung des Gerätes unter Angabe der Maschinen Type und der sechststelligen Nummer auf dem Leistungsschild bei Ihrer Kundendienststelle oder direkt bei Techtronic Industries GmbH, Max-Eyth-Straße 10, 71364 Winnenden, Germany angefordert werden.

CE-KONFORMITÄTSERKLÄRUNG

Wir erklären in alleiniger Verantwortung, dass das unter „Technische Daten“ beschriebene Produkt mit allen relevanten Vorschriften der Richtlinien

2011/65/EU (RoHS)

2006/42/EG

2014/30/EU

und den folgenden harmonisierten normativen Dokumenten übereinstimmt

EN 62841-1-2:2015

EN 62841-3-9:2015

EN 55014-1:2006+A1:2009+A2:2011

EN 55014-2:2015

EN 61326-1:2013

EN 50581:2012



Winnenden, 2016-08-19

Alexander Krug / Managing Director

Bevollmächtigt die technischen Unterlagen zusammenzustellen.

Techtronic Industries GmbH

Max-Eyth-Straße 10, 71364 Winnenden, Germany



SYMBOLE



ACHTUNG! WARNUNG! GEFAHR!



Vor allen Arbeiten am Gerät den Wechselakku herausnehmen.



Bitte lesen Sie die Gebrauchsanweisung vor Inbetriebnahme sorgfältig durch.



Beim Arbeiten mit der Maschine stets Schutzbrille tragen.



Gehörschutz tragen!



Schutzhandschuhe tragen!



Gefahrenbereich! Halten Sie möglichst Hände, Finger oder Arme von diesem Bereich fern.



Die Maschine nicht dem Regen aussetzen.



ACHTUNG! Nicht in die eingeschaltete Lampe blicken.



Elektrogeräte dürfen nicht zusammen mit dem Hausmüll entsorgt werden. Elektrische und elektronische Geräte sind getrennt zu sammeln und zur umweltgerechten Entsorgung bei einem Verwertungsbetrieb abzugeben. Erkundigen Sie sich bei den örtlichen Behörden oder bei Ihrem Fachhändler nach Recyclinghöfen und Sammelstellen.



CE-Konformitätszeichen



UkrSEPRO Konformitätszeichen

TR 066



EurAsian Konformitätszeichen



Caractéristiques techniques Scie Radiale	M18 FMS254
Numéro de série	4569 52 01... ...000001 - 999999
Vitesse de rotation à vide	4000 min ⁻¹
Tension accu interchangeable	18 V
Ø de la lame de scie et de son alésage	254 x 30 mm
Épaisseur de corps de la lame de scie max.	2 mm
Épaisseur de dent de la lame de scie min.	2,8 mm
Largeur de coupe max. Onglet 0°/ Inclinaison 0° Onglet 45°/ Inclinaison 0° Onglet 0°/ Inclinaison 45° Onglet 45°/ Inclinaison 45°	91 x 289 mm 91 x 205 mm 51 x 289 mm 51 x 205 mm
Poids suivant EPTA-Procédure 01/2003 (Li-Ion 5,0 Ah)	20,0 kg
Informations sur le bruit	
Valeurs de mesure obtenues conformément à la EN 62841. Les mesures réelles (des niveaux acoustiques de l'appareil sont :	
Niveau de pression acoustique (Incertitude K=3dB(A))	90,5 db(A)
Niveau d'intensité acoustique (Incertitude K=3dB(A))	101,5 db (A)
Toujours porter une protection acoustique!	



Fr

⚠ AVERTISSEMENT Lisez toutes les consignes de sécurité, instructions, présentations et données que vous recevez avec l'appareil. Le non-respect des avertissements et instructions indiqués ci après peut entraîner un choc électrique, un incendie et/ou de graves blessures sur les personnes.

Bien garder tous les avertissements et instructions.

⚠ CONSIGNES DE SÉCURITÉ POUR LES SCIES À ONGLET

a) Les scies à onglet sont destinées à couper du bois ou des produits analogues au bois. Elles ne peuvent être utilisées avec des disques à tronçonner abrasifs pour la découpe de matériaux ferreux tels que barres, tiges, goujons, etc. La poussière abrasive peut bloquer les pièces mobiles telles que la protection inférieure. Les étincelles de découpe abrasive peuvent brûler la protection inférieure, l'entaille d'insertion et d'autres pièces en plastique.

b) Utilisez des serre-joints pour maintenir la pièce à chaque fois que possible. Si vous maintenez la pièce à la main, vous devez toujours garder votre main à une distance d'au moins 100 mm de part et d'autre de la lame de la scie. N'utilisez pas cette scie pour couper des pièces trop petites pour être solidement serrées avec des serre-joints ou tenues à la main. Si votre main est placée trop près de la lame de la scie, vous encourez un risque accru de blessure par contact avec la lame.

c) La pièce à usiner doit être immobile et serrée avec des serre-joints ou maintenue à la fois contre le guide et la table. Ne poussez pas la pièce contre la lame et ne la coupez jamais à « main levée ». Les pièces à usiner non retenues ou mobiles risqueraient d'être projetées à grande vitesse, provoquant des blessures.

d) Poussez la scie à travers la pièce à usiner. Ne tirez pas la scie à travers la pièce. Pour couper, soulevez la tête de la scie et amenez-la au-dessus de la pièce sans couper, démarrez le moteur, appuyez vers le bas sur la tête de la scie et poussez la scie à travers la pièce. Couper en tirant risque de faire grimper la lame de la scie sur le dessus de la pièce et de projeter violemment l'unité porte-lame vers l'opérateur.

e) Ne traversez jamais avec votre main la ligne de coupe prévue, que ce soit à l'avant ou à l'arrière de la lame de la scie. Maintenir la pièce « avec une main en travers », c'est-à-dire maintenir la pièce à droite de la lame de scie avec votre main gauche ou vice versa est très dangereux.

f) Ne mettez pas votre main derrière le guide à moins de 100 mm de part et d'autre de la lame de la scie, que ce soit pour retirer des copeaux de bois ou pour toute autre raison, pendant que la lame tourne. Vous pouvez sous-estimer la proximité de la lame de scie en rotation par rapport à votre main et vous pouvez être gravement blessé.

g) Inspectez votre pièce à usiner avant de la couper. Si la pièce est courbée ou déformée, maintenez-la avec des serre-joints, avec l'extérieur de la face courbée vers le guide. Assurez-vous toujours qu'il n'y a pas d'écart entre la pièce à usiner, le guide et la table le long de la ligne de coupe. Les pièces à usiner incurvées ou déformées peuvent se tordre ou bouger et peuvent se bloquer sur la lame de scie en rotation pendant la coupe. La pièce à usiner ne doit pas présenter de clous ni d'objets étrangers.

h) N'utilisez pas la scie tant que la table n'est pas débarrassée de tous les outils, morceaux de bois, etc., à l'exception de la pièce à usiner. Les petits débris, morceaux de bois se détachant ou autres objets entrant en contact avec la lame en rotation peuvent être projetés à grande vitesse.

i) Ne coupez qu'une seule pièce à la fois. Les pièces empilées ne peuvent pas être correctement maintenues avec des serre-joints ni calées et peuvent bloquer la lame ou glisser pendant la coupe.

j) Vérifiez que la scie à onglets est montée ou placée sur une surface de travail plane et ferme avant utilisation. Une surface de travail plane et ferme réduit le risque de voir la scie à onglets devenir instable.

k) Planifiez votre travail. Chaque fois que vous changez le réglage de l'inclinaison de la lame ou de l'angle de l'onglet, assurez-vous que le guide réglable est positionné correctement de façon à maintenir la pièce à usiner et à ne pas interférer avec la lame ou le système de protection. Sans

mettre l'outil sur « ON » et sans pièce à usiner sur la table, déplacez la lame de scie comme pour une coupe complète pour vous assurer que rien n'interfère et qu'il n'y a aucun danger de couper le guide.

l) Prévoyez un support adéquat, comme des rallonges de table, des chevalets de sciage, etc., lorsque la pièce à usiner est plus large ou plus longue que le dessus de la table. Les pièces à usiner plus longues ou plus larges que la table de la scie à onglets peuvent basculer si elles ne sont soutenues en toute sécurité. Si la pièce coupée de la pièce à usiner bascule, elle peut soulever la protection inférieure ou être projetée par la lame en rotation.

m) N'utilisez pas une autre personne comme un substitut à une rallonge de table ou comme support supplémentaire.

Un support instable pour la pièce à usiner peut bloquer la lame. La pièce peut par ailleurs glisser pendant la coupe et vous entraîner vous et la personne qui vous aide contre la lame en rotation.

n) La pièce découpée ne doit pas être bloquée ni pressée par quelque moyen que ce soit contre la lame de scie en rotation. Si elle est confinée, c'est-à-dire si des butées de longueur sont utilisées, la pièce coupée risque de se coincer contre la lame et d'être violemment projetée.

o) Utilisez toujours un serre-joint ou un dispositif de fixation conçu pour soutenir correctement les matériels ronds, comme les barres ou tubes. Les barres ont tendance à rouler lorsqu'on les coupe, ce qui fait que lame « mord » et entraîne la pièce et votre main contre la lame.

p) Laissez la lame atteindre sa pleine vitesse avant d'entrer en contact avec la pièce à usiner. Ceci réduira le risque de projection de la pièce à usiner.

q) Si la pièce à usiner ou la lame se coincent, mettez la scie à onglets sur « OFF ». Attendez l'arrêt de toutes les pièces mobiles et débranchez la fiche de la source d'alimentation et/ou retirez la batterie. Retirez ensuite le matériel coincé. Continuer à scier une pièce coincée peut entraîner une perte de contrôle ou causer des dommages à la scie à onglets.

r) Une fois la coupe terminée, relâchez l'interrupteur, maintenez la tête de la scie vers le bas et attendez que la lame s'arrête avant de retirer la pièce coupée. Tendre votre main à proximité de la lame encore en rotation est dangereux.

s) Maintenez fermement la poignée lorsque vous exécutez une coupe partielle ou lorsque vous relâchez l'interrupteur avant que la tête de la scie soit complètement en position basse. L'action de freinage de la scie peut faire que la tête de la scie se trouve soudainement entraînée vers le bas, ce qui constitue un risque de blessure.

Avis complémentaires de sécurité et de travail

Portez une protection acoustique. L'exposition au bruit pourrait provoquer une diminution de l'ouïe.

Toujours porter des lunettes protectrices en travaillant avec la machine. Des gants de sécurité, des chaussures solides et à semelles antidérapantes et un tablier sont recommandés.

Les poussières dégagées lors du travail sont souvent nocives et ne devraient pas pénétrer dans le corps. Utiliser un dispositif d'aspiration de poussières et porter en plus un masque de protection approprié. Éliminer soigneusement les dépôts de poussières, p. ex. en les aspirant au moyen d'un système d'aspiration de copeaux.

Connecter la scie avec un dispositif d'aspiration poussières si l'on scie du bois.

Porter des gants de protection!

Avant la première mise en marche de la machine, il est conseillé de lire avec soin les instructions d'utilisation et de se familiariser avec le maniement de la machine.

S'assurer que la machine présente toujours une bonne stabilité (par ex. par une fixation sur l'établi).

Veiller à ce que le fond reste exempt des restes de matériaux, par ex. des copeaux et des débris de sciage.

Ne pas utiliser de lames de scie qui sont endommagées ou déformées.

Ne pas utiliser de lames de scie qui ne correspondent pas aux caractéristiques indiquées dans ces instructions d'utilisation.

Employez exclusivement des outils conformes à NE 847-1.

Ne pas utiliser de lame de scie fabriquées en acier à coupe rapide.

Choisir une lame de scie qui convient au matériau à couper.

La vitesse assignée de l'accessoire doit être au moins égale à la vitesse maximale indiquée sur l'outil électrique. Les accessoires fonctionnant plus vite que leur vitesse assignée peuvent se rompre et voler en éclat.

Les outils doivent être transportés et conservés dans un récipient approprié.

Utiliser uniquement les brides ci-jointes et représentées dans le mode d'emploi pour fixer la lame de scie.

Ne jamais utiliser la scie d'éboutage pour sectionner des matériaux autres que ceux qui sont indiqués dans le mode d'emploi.

Utiliser la scie à onglet seulement si le capot de protection présente un fonctionnement sûr et s'il est bien entretenu. Le capot de protection doit pivoter en retour automatiquement.

Ne pas enlever des restes de sciage ou d'autres parties de pièces à œuvrer de la zone de sciage lorsque la machine tourne et que la tête de sciage n'est pas dans la position de repos.

Ne jamais intervenir dans la zone dangereuse lorsque la machine est en marche.

Il est absolument impératif d'utiliser le dispositif protecteur de la machine.

Les défauts dans la machine, y compris le dispositif de protection ou les lames de scie, doivent être signalés à la personne responsable de la sécurité dès qu'ils sont constatés.

Ne pas bloquer le carter de protection.

Les longues pièces à œuvrer doivent être soutenues de manière appropriée.

Transporter la scie d'éboutage uniquement si le dispositif de sécurité pour le transport est enclenché sur la poignée.

Lors de la réalisation des coupes d'onglet, des coupes en biais et des coupes d'onglet composé, réglez le guide coulissant pour assurer le jeu correct de la lame.

Conformer la vitesse d'avancement afin d'éviter la surchauffe des dents de la lame et la fusion du matériau pendant la coupe de matériau synthétique.



UTILISATION CONFORME AUX PRESCRIPTIONS

La scie à onglet peut être utilisée pour scier les bois massifs, les bois collés, les matériaux similaires au bois et les matières plastiques.

Il est interdit de scier des pièces à œuvrer dont la section transversale est ronde ou irrégulière (par ex. le bois de chauffe) car elles ne sont pas maintenues sûrement pendant le sciage. Il convient d'utiliser une butée auxiliaire appropriée pour assurer le guidage lors du sciage sur chant des pièces à œuvrer plates.

RISQUES RÉSIDUELS

Même en cas d'utilisation correcte du produit il n'est pas possible d'exclure complètement des risques résiduels. Pendant l'utilisation les risques décrits ci-dessous pourront se présenter et par conséquent l'opérateur devra respecter les normes suivantes:

- Pour éviter des dangers à l'ouïe, limiter le temps d'exposition et utiliser une protection contre le bruit appropriée.
- L'utilisateur devra prendre des mesures appropriées en vue de limiter les effets des vibrations et limiter le temps d'exposition.
- Il faut utiliser une masque respiratoire pour éviter des dangers à la santé causés par l'inhalation des poussières de sciure.

ACCUS

Recharger les accus avant utilisation après une longue période de non utilisation.

Une température supérieure à 50°C amoindrit la capacité des accus. Éviter les expositions prolongées au soleil ou au chauffage.

Tenir propres les contacts des accus et des chargeurs.

Pour une durée de vie optimale, les accus doivent être chargés à fond après l'utilisation.

Pour une plus longue durée de vie, enlever les batteries du chargeur de batterie quand celles-ci seront chargées.

En cas d'entreposage de la batterie pour plus de 30 jours: Entreposer la batterie à 27°C environ dans un endroit sec. Entreposer la batterie avec une charge d'environ 30% - 50%. Recharger la batterie tous les 6 mois.

TRANSPORT DE BATTERIES LITHIUM-ION

Les batteries lithium-ion sont soumises aux dispositions législatives concernant le transport de produits dangereux.

Le transport de ces batteries devra s'effectuer dans le respect des dispositions et des normes locales, nationales et internationales.

Les utilisateurs peuvent transporter ces batteries sans restrictions.

Le transport commercial de batteries lithium-ion est réglé par les dispositions concernant le transport de produits dangereux. La préparation au transport et le transport devront être effectués uniquement par du personnel formé de façon adéquate. Tout le procédé devra être géré d'une manière professionnelle.

Durant le transport de batteries il faut respecter les consignes suivantes :

S'assurer que les contacts soient protégés et isolés en vue d'éviter des courts-circuits. S'assurer que le groupe de batteries ne puisse pas se déplacer à l'intérieur de son emballage. Des batteries endommagées ou des batteries perdant du liquide ne devront pas être transportées. Pour tout renseignement complémentaire veuillez vous adresser à votre transporteur professionnel.

PROTECTION DE L'ACCU CONTRE LES SURCHARGES

En cas d'une surcharge de l'accu à cause d'une très haute consommation de courant, par exemple suite à des couples extrêmement élevés, un arrêt soudain ou un court-circuit, l'outil électrique vibre pendant 5 secondes, l'indicateur de charge clignote et l'outil électrique se déconnecte automatiquement.

Pour le ré-enclencher, relâcher le poussoir de l'interrupteur, puis enclencher à nouveau l'appareil.

Sous des sollicitations extrêmes, l'accu s'échauffe trop fortement. Dans ce cas, tous les témoins de l'indicateur de charge clignotent jusqu'à ce que l'accu se soit refroidi. Il est possible de continuer à travailler dès que l'indicateur de charge s'est éteint.

Mettre alors l'accu en place dans le chargeur pour le recharger et l'activer.

ENTRETIEN

Avant tous travaux sur l'appareil retirer l'accu interchangeable.

Assurez-vous de débrancher l'outil du secteur avant de monter ou de démonter la lame de scie.

Remplacer la garniture de table si elle est usée.

Nettoyer l'appareil et le dispositif de protection avec un chiffon sec.

Tenir toujours propres les orifices de ventilation de la machine.

Utiliser uniquement les accessoires Milwaukee et les pièces détachées Milwaukee. Faire remplacer les composants dont le remplacement n'a pas été décrit, par un des centres de service après-vente Milwaukee (observer la brochure avec les adresses de garantie et de service après-vente).

Si besoin est, une vue éclatée de l'appareil peut être fournie. S'adresser, en indiquant bien le numéro porté sur la plaque signalétique, à votre station de service après-vente (voir liste jointe) ou directement à Techtronic Industries GmbH, Max-Eyth-Straße 10, 71364 Winnenden, Germany.

DÉCLARATION CE DE CONFORMITÉ

Nous déclarons, sous notre responsabilité exclusive, que le produit décrit ici dans les « Caractéristiques techniques » satisfait à toutes les dispositions pertinentes des directives

2011/65/UE (RoHS)

2006/42/CE

2014/30/UE

et que les normes harmonisées suivantes ont été appliquées.

EN 62841-1:2015

EN 62841-3-9:2015

EN 55014-1:2006+A1:2009+A2:2011

EN 55014-2:2015

EN 61326-1:2013

EN 50581:2012



Winnenden, 2016-08-19

Alexander Krug / Managing Director

Autorisé à compiler la documentation technique.

Techtronic Industries GmbH

Max-Eyth-Straße 10, 71364 Winnenden, Germany



SYMBOLES



ATTENTION! AVERTISSEMENT! DANGER!



Avant tous travaux sur l'appareil retirer l'accu interchangeable.



Veillez lire avec soin le mode d'emploi avant la mise en service



Toujours porter des lunettes protectrices en travaillant avec la machine.



Toujours porter une protection acoustique!



Porter des gants de protection!



Zone dangereuse ! Si possible, maintenez les mains, doigts ou bras éloignés de cette zone.



Ne pas exposer la machine à la pluie.



ATTENTION! Ne pas regarder dans la lampe lorsqu'elle est enclenchée.



Les dispositifs électriques ne sont pas à éliminer dans les déchets ménagers. Les dispositifs électriques et électroniques sont à collecter séparément et à remettre à un centre de recyclage en vue de leur élimination dans le respect de l'environnement. S'adresser aux autorités locales ou au détaillant spécialisé en vue de connaître l'emplacement des centres de recyclage et des points de collecte.



Marque CE



Marque de qualité UkrSEPRO

TR 066



Marque de qualité EurAsian

Dati tecnici Troncatrice	M18 FMS254
Numero di serie	4569 52 01... ...000001 - 999999
Numero di giri a vuoto	4000 min ⁻¹
Tensione batteria	18 V
Diametro lama x foro lama	254 x 30 mm
Spessore corpo lama della sega max.	2 mm
Spessore dente lama della sega min.	2,8 mm
Larghezza di taglio max.	
Ugnatura a 0°/ Inclinazione 0°	91 x 289 mm
Ugnatura a 45°/ Inclinazione 0°	91 x 205 mm
Ugnatura a 0°/ Inclinazione 45°	51 x 289 mm
Ugnatura a 45°/ Inclinazione 45°	51 x 205 mm
Peso secondo la procedura EPTA 01/2003 (Li-Ion 5,0 Ah)	20,0 kg
Informazioni sulla rumorosità	
Valori misurati conformemente alla norma EN 62841. La misurazione A del livello di pressione acustica dell'utensile è di solito di:	
Livello di rumorosità (Incertezza della misura K=3dB(A))	90,5 db(A)
Potenza della rumorosità (Incertezza della misura K=3dB(A))	101,5 db (A)
Utilizzare le protezioni per l'udito!	

⚠ AVVERTENZA Leggere tutte le avvertenze di sicurezza, le istruzioni, le illustrazioni e i dati forniti a corredo dell'apparecchio. In caso di mancato rispetto delle avvertenze di pericolo e delle istruzioni operative si potrà creare il pericolo di scosse elettriche, incendi e/o incidenti gravi.

Conservare tutte le avvertenze di pericolo e le istruzioni operative per ogni esigenza futura.

⚠ ISTRUZIONI DI SICUREZZA PER LE TRONCATRICI

a) Le troncatrici servono a taglio del legno e prodotti simili al legno; esse possono essere usate con ruote di taglio abrasive per il taglio di materiale ferroso come barre, aste, chiodi ecc. Polvere abrasiva causa il blocco delle parti in movimento come le protezioni inferiori. Scintille da taglio abrasivo bruceranno la protezione inferiore, l'inserto di taglio e altre parti in plastica.

b) Utilizzare morsetti per sostenere il pezzo in lavorazione, per quando possibile. Se si sostiene il pezzo con le mani, si deve tenere la mano sempre ad almeno 100 mm da entrambi i lati della lama. Non utilizzare questa sega per tagliare pezzi che troppo piccoli per essere bloccati o mantenuti con la mano in modo sicuro. Se la mano è posizionata troppo vicino alla lama, vi è un maggiore rischio di lesioni da contatto con la lama.

c) Il pezzo deve essere fermo e bloccato o tenuto contro la guida e il tavolo. Non alimentare il pezzo nella lama o tagliare „a mano libera“ in alcun modo. Pezzi in lavorazione non fissato o mobili possono essere scagliati ad alta velocità, provocando lesioni.

d) Premere la sega attraverso il pezzo in lavorazione. Non tirare la sega attraverso il pezzo. Per tagliare, alzare la testa della sega e accostarla al pezzo senza tagliare, avviare il motore, premere la testa della sega verso il basso e spingere la sega attraverso il pezzo in lavorazione. Tagliare tirando può causare il sollevamento della lama sul pezzo in lavorazione e il lancio violento del gruppo della lama verso l'operatore.

e) Non incrociare mai le mani sulla linea di taglio intesa davanti o dietro la lama della sega. Supportare il pezzo

in lavorazione "a mani incrociate", ovvero tenendo il pezzo in lavorazione alla destra della lama della sega con la mano sinistra o viceversa è molto pericoloso.

f) Non porre le mani a meno di 100 mm dalla lama della sega per rimuovere scarti di legno, o per qualsiasi altro motivo, mentre la lama è in rotazione. La vicinanza della lama della sega che gira alla propria mano può non essere evidente e può portare a infortuni gravi.

g) Ispezionare il proprio pezzo da lavorare prima del taglio. Se il pezzo da lavorare è piegato o deformato, bloccarlo con il lato piegato esterno verso la guida del pezzo. Assicurarsi sempre che non ci sia spazio tra il pezzo da lavorare, la guida del pezzo e il tavolo lungo la linea di taglio. Pezzi da lavorare contorti o deformati possono ruotare o spostarsi e causare inceppamento della lama della sega durante il taglio. Non ci dovrebbero essere chiodi o corpi estranei nel pezzo da lavorare.

h) Non utilizzare la sega fino a quando il tavolo non è libero da utensili, scarti di legno ecc., tranne per il pezzo da lavorare. Detriti o piccoli pezzi di legno o altri oggetti che entrano a contatto con la lama che gira possono essere scagliati ad alta velocità.

i) Tagliare solo un pezzo per volta. Più pezzi da lavorare sovrapposti non possono essere adeguatamente bloccati o rinforzati e possono incastrarsi sulla lama o spostarsi durante il taglio.

j) Assicurarsi che la troncatrice sia montata o posta su una superficie di lavoro stabile e a livello prima dell'uso. Una superficie stabile e a livello riduce il rischio che la troncatrice diventi instabile.

k) Programmare il proprio lavoro. Ogni volta che si cambia l'impostazione dell'angolazione della ruota o della troncatrice, assicurarsi che la guidapezzo regolabile sia impostata correttamente per sostenere il pezzo da lavorare e che non interferirà con la lama o con il sistema di protezione. Senza accendere l'attrezzo e con nessun pezzo da lavorare sul tavolo, muovere la lama della sega effettuando una simulazione di taglio completa per assicurare che non vi siano interferenze o pericoli durante il taglio da parte della guidapezzo.



l) Fornire adeguato supporto come prolunghe per tavolo, supporti lama ecc. per un pezzo da lavorare che è più largo o più lungo della superficie del tavolo. Pezzi da lavorare più lunghi o larghi del tavolo della troncatrice possono inclinarsi se non supportati correttamente. Se il pezzo tagliato o il pezzo da lavorare si inclina, esso può sollevare la protezione inferiore o essere scagliato dalla lama in movimento.

m) Non utilizzare un'altra persona come sostituto della prolunga del tavolo o come supporto aggiuntivo. Un supporto instabile per il pezzo da lavorare può causare la piegatura della lama o lo spostamento del pezzo da lavorare durante l'operazione di taglio tirando l'operatore o l'aiutante verso la lama in funzione.

n) Il pezzo tagliato non deve essere incastrato o pressato in alcun modo contro la lama della sega in funzione. Se confinato, vale a dire utilizzando dei blocchi di lunghezza, il pezzo tagliato potrebbe essere incuneato contro la lama ed essere scagliato violentemente.

o) Usare sempre una morsa o un dispositivo progettato per supportare correttamente materiale rotondo come aste o tubi. Le aste hanno la tendenza a rotolare mentre vengono tagliate, causando il „morso“ della lama e tirando il pezzo da lavorare con la mano nella lama.

p) Lasciare che la lama raggiunga la piena velocità prima di entrare in contatto con il pezzo da lavorare. Ciò ridurrà il rischio che il pezzo da lavorare sia scagliato.

q) Se il pezzo da lavorare o la lama si incastrano, spegnere la troncatrice. Attendere che le parti mobili si arrestino e scollegare la spina dall'alimentazione e/o rimuovere la batteria. Quindi liberare il materiale incastrato. Continuare a segare con materiale incastrato può causare perdita di controllo o danneggiamento della troncatrice.

r) Dopo aver ultimato il taglio, rilasciare l'interruttore, tenere la testa della sega verso il basso e attendere che la lama si arresti prima di rimuovere il pezzo tagliato. Avvicinarsi con la mano alla lama che continua a muoversi per inerzia è pericoloso.

s) Tenere salda l'impugnatura quando si effettua un taglio incompleto o quando si rilascia l'interruttore prima che la testa della sega sia completamente nella posizione inferiore. L'azione frenante della sega può causare il ritorno improvviso della testa della sega verso il basso, causando rischio di infortunio.

Ulteriori avvisi di sicurezza e di lavoro

Indossare protezioni acustiche adeguate. L'esposizione al rumore potrebbe comportare una riduzione dell'udito.

Durante l'uso dell'apparecchio utilizzare sempre gli occhiali di protezione. Inoltre si consiglia di usare sistemi di protezione per la respirazione e per l'udito, oltre ai guanti di protezione.

La polvere provocata durante la lavorazione con questo utensile può essere dannosa alla salute e per questo motivo non devono entrare in contatto con il corpo. Usare un sistema d'aspirazione polvere e indossare una maschera di protezione dalla polvere. Rimuovere i depositi di polvere, per esempio con un aspiratore.

Collegare la sega con un dispositivo di aspirazione polveri se si sega del legno.

Indossare guanti protettivi!

Vi consigliamo caldamente di leggere attentamente le istruzioni per l'uso prima di utilizzare l'apparecchio, solo in questo modo potrete infatti servirvene al meglio.

Accertarsi che la macchina sia sempre stabile (ad esempio fissandola sul banco di lavoro).

Tenere il pavimento libero da residui di materiali, ad es. trucioli e residui di taglio.

Non usare lame danneggiate o deformate.

Non utilizzare lame non corrispondenti alle specifiche riportate in queste istruzioni d'uso.

È consentito esclusivamente l'uso di utensili che corrispondono ai requisiti della norma EN 847-1.

Non utilizzare lame di sega fatte in acciaio rapido.

Scegliere una lama di sega adatta al materiale da tagliare.

Il numero di giri ammesso dell'accessorio impiegato deve essere almeno tanto alto quanto il numero massimo di giri riportato sull'elettro utensile. Un accessorio che gira più rapidamente di quanto consentito può rompersi in vari pezzi e venir lanciato intorno.

Gli utensili devono essere trasportati e conservati in un contenitore adatto;

Per fissare la lama della sega usare solo le flange illustrate nelle istruzioni per l'uso e quelle allegate.

Non utilizzare mai la sega troncatrice per tagliare materiali diversi da quelli indicati nelle istruzioni per l'uso.

Usare la troncatrice soltanto con coperchio di protezione ben funzionante e correttamente mantenuto. Il coperchio di protezione deve tornare indietro automaticamente.

Non rimuovere dalla zona di lavorazione i residui di taglio o altre porzioni dei pezzi in lavorazione se la macchina è in funzione e la testa segatrice non si trova in posizione di riposo.

Non entrare nel raggio d'azione dell'utensile mentre è in funzione.

Usare sempre il dispositivo di protezione dell'apparecchio.

Guasti della macchina, inclusi quelli del dispositivo di protezione o delle lame della sega, devono essere segnalati alla persona responsabile della sicurezza, non appena vengono individuati.

Non bloccare la calotta di protezione.

Pezzi lunghi devono essere supportati adeguatamente +D6.

Trasportare la sega troncatrice solo con sicura di trasporto chiusa sul manico.

Nell'eseguire tagli piramidali, tagli a squadra o tagli piramidali multipli, regolare lo schermo scorrevole per garantire la corretta distanza dalla lama.



Adeguare la velocità di avanzamento per evitare il surriscaldamento dei denti della lama e, durante il taglio di materiale sintetico, la fusione del materiale.

UTILIZZO CONFORME

La troncatrice può essere utilizzata per il taglio di legno massiccio, legno incollato, materiali simili al legno e plastica.

Non è ammessa segare pezzi a sezione rotonda o irregolare (ad es. legno da ardere) visto che non possono essere serrati in sicurezza durante la fase di segatura. Se si desiderano segare pezzi piani appoggiati sul loro lato stretto occorre utilizzare un'ideale battuta ausiliaria per una guida sicura.

RISCHI RESIDUI

Anche in caso di uso corretto del prodotto non è possibile escludere del tutto i rischi residui. Durante l'uso possono presentarsi i seguenti rischi, per cui l'operatore dovrà rispettare quanto segue:

- Per evitare danni all'udito, limitare i tempi di esposizione e indossare idonea protezione dell'udito.
- L'utente deve prendere opportune misure per limitare gli effetti delle vibrazioni e limitare il tempo di esposizione.
- Occorre indossare una maschera respiratoria per evitare danni alla salute dovuti all'inalazione di polvere di segatura.

BATTERIE

Batterie non utilizzate per molto tempo devono essere ricaricate prima dell'uso.

A temperature superiori ai 50°C, la potenza della batteria si riduce. Evitare di esporre l'accumulatore a surriscaldamento prolungato, dovuto ad esempio ai raggi del sole o ad un impianto di riscaldamento.

Per una ottimale vita utile è necessario ricaricare completamente le batterie dopo l'uso.

Per una più lunga durata, rimuovere le batterie dal caricabatterie quando saranno cariche.

In caso di immagazzinaggio della batteria per più di 30 giorni: Immagazzinare la batteria a circa 27°C in ambiente asciutto. Immagazzinare la batteria con carica di circa il 30% - 50%. Ricaricare la batteria ogni 6 mesi.

TRASPORTO DI BATTERIE AGLI IONI DI LITIO

Le batterie agli ioni di litio sono soggette alle disposizioni di legge sul trasporto di merce pericolosa.

Il trasporto di queste batterie deve avvenire rispettando le disposizioni e norme locali, nazionali ed internazionali.

Gli utilizzatori possono trasportare queste batterie su strada senza alcuna restrizione.

Il trasporto commerciale di batterie agli ioni di litio è regolato dalle disposizioni sul trasporto di merce pericolosa. Le preparazioni al trasporto ed il trasporto stesso devono essere svolti esclusivamente da persone idoneamente istruite. Tutto il processo deve essere gestito in maniera professionale.

Durante il trasporto di batterie occorre tenere conto di quanto segue:

Assicurarsi che i contatti siano protetti ed isolati per evitare corto circuiti. Accertarsi che il gruppo di batterie non possa spostarsi all'interno dell'imballaggio. Batterie danneggiate o batterie che perdono liquido non devono essere trasportate. Per ulteriori informazioni si prega di contattare il proprio trasportatore.

DISPOSITIVO ANTISOVRACCARICO ACCUMULATORE

In caso di sovraccarico dell'accumulatore dovuto ad un consumo molto elevato di corrente, ad es. momenti di coppia estremamente elevati, arresto improvviso o corto circuito, l'utensile elettrico vibra per 5 secondi, il display di carica lampeggia e l'elettrotensile si spegne automaticamente.

Per riaccenderlo rilasciare l'interruttore e poi riaccenderlo. Se sottoposto a sollecitazioni estreme l'accumulatore si riscalda eccessivamente. In questo caso lampeggiano tutte le spie del display di carica finché l'accumulatore non è raffreddato. Quando il display di carica si spegne si può continuare a lavorare.

Inserire l'accumulatore nell'apparecchio carica-batterie per ricaricarlo e attivarlo.

MANUTENZIONE

Prima di iniziare togliere la batteria dalla apparecchiatura.

Assicurarsi di aver scollegato l'utensile dall'alimentazione prima di collegarlo o prima di rimuovere la lama.

Sostituire inserti da banco consumati.

Pulire l'apparecchio ed il dispositivo di protezione con un panno asciutto.

Tener sempre ben pulite le fessure di ventilazione dell'apparecchio.

Usare solo accessori Milwaukee e pezzi di ricambio Milwaukee.

Gruppi costruttivi la cui sostituzione non è stata descritta, devono essere fatti cambiare da un punto di servizio di assistenza tecnica al cliente Milwaukee (vedi depliant garanzia/indirizzi assistenza tecnica ai clienti).

In caso di mancanza del disegno esploso, può essere richiesto al seguente indirizzo: Techtronic Industries GmbH, Max-Eyth-Straße 10, 71364 Winnenden, Germany.

DICHIARAZIONE DI CONFORMITÀ CE

Assumendone la piena responsabilità, dichiariamo che il prodotto descritto nei "Dati tecnici" è conforme alle pertinenti disposizioni delle direttive

2011/65/UE (RoHS)

2006/42/CE

2014/30/UE

e che sono state applicate le seguenti norme armonizzate

EN 62841-1:2015

EN 62841-3-9:2015

EN 55014-1:2006+A1:2009+A2:2011

EN 55014-2:2015

EN 61326-1:2013

EN 50581:2012



Winnenden, 2016-08-19

Alexander Krug / Managing Director

Autorizzato alla preparazione della documentazione tecnica

Techtronic Industries GmbH

Max-Eyth-Straße 10, 71364 Winnenden, Germany



SIMBOLI



ATTENZIONE! AVVERTENZA! PERICOLO!



Prima di iniziare togliere la batteria dalla apparecchio.



Leggere attentamente le istruzioni per l'uso prima di mettere in funzione l'elettrotensile.



Durante l'uso dell'apparecchio utilizzare sempre gli occhiali di protezione.



Utilizzare le protezioni per l'udito!



Indossare guanti protettivi!



Area di pericolo! Possibilmente, non avvicinare mai a questa zona né le mani, né le dita e neppure le braccia.



Non esporre la macchina alle intemperie.



ATTENZIONE! Non guardare la lampada accesa.



I dispositivi elettrici non devono essere smaltiti con i rifiuti domestici. I dispositivi elettrici ed elettronici devono essere raccolti separatamente e devono essere conferiti ad un centro di riciclaggio per lo smaltimento rispettoso dell'ambiente. Chiedere alle autorità locali o al rivenditore specializzato dove si trovano i centri di riciclaggio e i punti di raccolta.



Marchio CE



Marchio di conformità UkrSEPRO

TR 066



Marchio di conformità EurAsian

Datos técnicos Inglotadora	M18 FMS254
Número de producción	4569 52 01... ...000001 - 999999
Velocidad en vacío	4000 min ⁻¹
Voltaje de batería	18 V
Disco de sierra - \emptyset x orificio \emptyset	254 x 30 mm
Grosor del cuerpo de la hoja de sierra máx.	2 mm
Grosor de los dientes de la hoja de sierra mín.	2,8 mm
Anchura de roza máx.	
Inglete 0°/ Inclinación 0°	91 x 289 mm
Inglete 45°/ Inclinación 0°	91 x 205 mm
Inglete 0°/ Inclinación 45°	51 x 289 mm
Inglete 45°/ Inclinación 45°	51 x 205 mm
Peso de acuerdo con el procedimiento EPTA 01/2003 (Li-Ion 5,0 Ah)	20,0 kg
Información sobre ruidos	
Determinación de los valores de medición según norma EN 62841. El nivel de ruido típico del aparato determinado con un filtro A corresponde a:	
Presión acústica (Tolerancia K=3dB(A))	90,5 db(A)
Resonancia acústica (Tolerancia K=3dB(A))	101,5 db (A)
Usar protectores auditivos!	



⚠ ADVERTENCIA Lea las indicaciones de seguridad, instrucciones, descripciones y datos que se incluyen en el aparato. En caso de no atenerse a las advertencias de peligro e instrucciones siguientes, ello puede ocasionar una descarga eléctrica, un incendio y/o lesión grave.

Guardar todas las advertencias de peligro e instrucciones para futuras consultas.

⚠ INSTRUCCIONES DE SEGURIDAD PARA TRONZADORAS

a) La finalidad de las tronzadoras es cortar productos de madera y no pueden utilizarse con discos de corte abrasivos para cortar materiales ferrosos como barras, tubos, pernos, etc. El polvo abrasivo hace que se atasquen las piezas móviles como la defensa inferior. Las chispas que genera el corte abrasivo quemarán la defensa inferior, el inserto de corte y otras piezas de plástico.

b) Siempre que sea posible, utilice abrazaderas para sujetar la pieza de madera. Si sujeta la pieza de madera manualmente, siempre deberá mantener su mano alejada de ambos lados del disco de la tronzadora, como mínimo, 100 mm. No utilice esta tronzadora para cortar piezas que sean demasiado pequeñas como para ser sujetadas con abrazaderas o la mano. Si su mano se sitúa demasiado cerca del disco de la tronzadora, se incrementará el riesgo de lesión por contacto con el disco de corte.

c) La pieza de trabajo deberá estar en estado estacionario fijada con abrazaderas o contra la reja y la mesa. No empuje la pieza de trabajo contra el disco de la tronzadora „a pulso“ de ninguna forma. Las piezas de trabajo sin sujetar o en movimiento podrían salir disparadas a altas velocidades causando lesiones.

d) Empuje la tronzadora a través de la pieza de trabajo. No tire de la tronzadora a través de la pieza de trabajo. Para hacer un corte, eleve el cabezal de la tronzadora y, pasándolo por encima de la pieza de trabajo sin cortar, arranque el motor, presione el cabezal de la tronzadora y empujelo

a través de la pieza de trabajo. Al hacer cortes tirando, es probable que el disco de la tronzadora ascienda a la parte superior de la pieza de trabajo y que la unidad de corte salga disparada violentamente hacia el operario.

e) Nunca cruce su mano sobre la línea de corte programada, ya sea delante o detrás del disco de la tronzadora. Sujetar la pieza de trabajo con las „manos cruzadas“, p. ej., sosteniendo la pieza de trabajo a la derecha del disco de la tronzadora con su mano izquierda o viceversa es muy peligroso.

f) No acceda a la parte posterior de la reja con ninguna de las dos manos a una distancia inferior a 100 mm desde cualquiera de los dos lados del disco de la tronzadora para retirar trozos de madera o por cualquier otro motivo mientras el disco este girando. La proximidad del disco de la tronzadora a su mano mientras esté girando podría no ser obvia y esto podría lesionar su mano seriamente.

g) Inspeccione su pieza de trabajo antes de cortarla. Si la pieza de trabajo está abombada o deformada, sujete la parte exterior abombada con abrazaderas en dirección a la reja. Asegúrese siempre que no haya un espacio entre la pieza de trabajo, la reja y la mesa a lo largo de la línea de corte. Las piezas de trabajo abombadas o deformadas pueden retorcerse o desplazarse y esto podría atascar el disco de la tronzadora mientras gira durante el corte. No debe haber clavos u objetos extraños en la pieza de trabajo.

h) No utilice la tronzadora hasta que se hayan retirado todas las herramientas, trozos de madera, etc., de la mesa, con excepción de la pieza de trabajo. Las astillas pequeñas o las piezas sueltas de madera, u otros objetos que entren en contacto con el disco de la tronzadora al girar podrían salir disparados a gran velocidad.

i) Corte únicamente una pieza de trabajo por vez. Las piezas de trabajo múltiples apiladas no pueden sujetarse adecuadamente con una abrazadera o fijarse, y esto podría atascar el disco de la tronzadora mientras gira o desplazarse durante el corte.

j) Asegúrese de que la tronadora está montada o situada sobre una superficie de trabajo nivelada y firme antes de usarla. Una superficie de trabajo nivelada y firme reduce el riesgo de que la tronadora se vuelva inestable.

k) Planifique su trabajo. Cada vez que cambie el ajuste del ángulo de biselar o tronar, asegúrese de que la reja ajustable está fijada correctamente para soportar la pieza de trabajo y que no interferirá con el disco o el sistema de defensa. Sin pulsar el botón „ON“ de la herramienta y sin una pieza de trabajo en la mesa, mueva el disco de la tronadora a lo largo de una simulación de corte para asegurar que no habrá ninguna interferencia o peligro de cortar la reja.

l) Proporcione un soporte adecuado como, por ejemplo, extensiones de mesa, caballetes para tronadoras, etc., para una pieza de trabajo que sea más ancha o más larga que la superficie de trabajo de la mesa. Las piezas de trabajo más largas o más anchas que la mesa de la tronadora pueden volcar si no disponen de un soporte adecuado. Si la pieza de corte o la pieza de trabajo volcase, esta podría levantar la defensa inferior o ser disparada por el disco mientras gira.

m) No utilice a otra persona como sustituto de una extensión de la mesa o como soporte adicional. Un soporte inestable para la pieza de trabajo puede provocar que el disco de la tronadora se atasque o que la pieza de trabajo se desplace durante la operación de corte, arrastrándole a usted y a su ayudante hacia el disco de la tronadora mientras gira.

n) La pieza de corte no debe martillearse o presionarse de ninguna forma contra el disco de la tronadora mientras gira. Si se confina, p. ej., utilizando topes longitudinales, la pieza de corte podría quedar atascada contra el disco de la tronadora y salir disparado violentamente.

o) Utilice siempre una abrazadera o una fijación designada para sujetar apropiadamente materiales cilíndricos como barras o tubos. Las barras tienden a rodar mientras se cortan, haciendo que el disco de la tronadora „muerta“ y tire del trabajo con su mano hacia el disco.

p) Deje que el disco de la tronadora alcance la velocidad máxima antes de que entre en contacto con la pieza de trabajo. Esto reducirá el riesgo de que la pieza de trabajo salga disparada.

q) Si se atasca la pieza de trabajo o el disco de la tronadora, apague la tronadora. Espere hasta que todas las partes móviles se hayan detenido y desconecte el enchufe de la toma de corriente y/o retire la batería. Ahora puede comenzar a trabajar para liberar el material atascado. Continuar tronando con una pieza de trabajo atascada podría causar una pérdida de control o dañar la tronadora.

r) Tras finalizar el corte, suelte el interruptor, mantenga el cabezal de la tronadora hacia abajo y espere a que el disco se detenga antes de retirar la pieza de corte. Aproximar su mano al disco en desplazamiento es peligroso.

s) Sujete el mango firmemente al hacer un corte incompleto o al liberar el interruptor antes de que el cabezal de la tronadora se encuentre completamente en la posición inferior. La acción de frenado de la tronadora podría causar que el cabezal de la misma tire hacia abajo de forma inesperada, lo que conlleva riesgo de lesiones.

Instrucciones adicionales de seguridad y laborales

¡Utilice protección auditiva! La exposición a niveles de ruido excesivos puede causar la pérdida de audición.

Para trabajar con la máquina, utilizar siempre gafas de protección, guantes, calzado de seguridad antideslizante, así como es recomendable usar protectores auditivos.

El polvo que se produce cuando se usa esta herramienta puede ser perjudicial para la salud. Use un sistema de absorción de polvo y utilice una máscara adecuada de protección contra el polvo. Limpie el polvo depositado, por ejemplo con un aspirador.

En caso de que utilice la sierra para cortar madera, conecte la sierra a una aspiradora de polvo.

Usar guantes protectores

Antes de usar la herramienta, por favor lea las instrucciones. Si es posible, pida que le hagan una demostración de la máquina.

Asegúrese de que la máquina se encuentre siempre en una posición segura (p. ej. sujetarla en el banco de trabajo)

Mantenga la superficie libre de restos de material como p. ej. virutas y restos de aserrado

No use hojas de sierra dañadas o deformadas.

No se pueden emplear hojas de sierra cuyos datos codificados no corresponden a estas instrucciones de manejo.

Deben utilizarse únicamente herramientas conformes con la norma EN 847-1.

No emplear hojas de sierra elaboradas de acero de corte rápido.

Elegir la hoja de sierra adecuada para el material a cortar.

Las revoluciones admisibles del útil deberán ser como mínimo iguales a las revoluciones máximas indicadas en la herramienta eléctrica. Aquellos accesorios que giren a unas revoluciones mayores a las admisibles pueden llegar a romperse y salir despedidos.

Las herramientas deben transportarse y almacenarse en un embalaje adecuado;

Utilizar solamente las bridas adjuntas y representadas en las instrucciones de empleo para la fijación de la hoja de sierra.

No emplear jamás la sierra retestadora para cortar materiales que no estén indicados en las instrucciones de empleo.

Utilice la sierra tronadora únicamente con cubierta protectora que funcione de forma segura y se encuentre en buen estado de entretenimiento.

No quitar restos de aserrado u otras partes de piezas de trabajo del área de aserrado al estar la máquina en funcionamiento y si la cabeza de la sierra no se encuentra en posición inactiva.

No manipular en el rodillo ni en las cuchillas con la máquina conectada.

Usar siempre las piezas de protección de la máquina.

En el momento de detectar fallas en la máquina, incl. en el dispositivo de seguridad o en las hojas de la sierra, deberán comunicarse las mismas inmediatamente a la persona responsable de la seguridad.

No bloquear la protección automática del disco.

Apoyar de forma adecuada la pieza a trabajar.

Transportar la sierra retestadora únicamente con el protector de transporte en el tomadero engatillado.

Al realizar cortes en inglete, en bisel o en inglete compuesto, ajuste la guía deslizante para garantizar la holgura correcta de la hoja.

Adapte la velocidad de avance para evitar que se sobrecalienten los dientes de la hoja de sierra y que se derrita el material plástico al cortar el material.



APLICACIÓN DE ACUERDO A LA FINALIDAD

La sierra tronzadora sirve para cortar madera maciza, maderas encoladas, materias similares a la madera y materias plásticas.

No deberán cortarse con la sierra piezas de trabajo con perfil redondo o irregular (p. ej. leña), dado que no se pueden sujetar de manera segura. Al cortar de canto con la sierra piezas planas, deberá utilizarse un tope auxiliar adecuado para una guía segura.

PELIGROS RESIDUALES

Incluso en caso de la utilización correcta del producto no se pueden excluir totalmente los peligros residuales. Durante la utilización del producto se pueden producir los siguientes riesgos, por lo que el usuario debería tener en cuenta lo siguiente:

- Para evitar lesiones auditivas se debe limitar el tiempo de exposición y utilizar una protección para los oídos adecuada.
- El usuario debería adoptar medidas para reducir los efectos de las vibraciones y para limitar el tiempo de exposición.
- Se debe utilizar una protección respiratoria con el fin de evitar riesgos para la salud que pueden surgir por la respiración del polvo producido en las operaciones de corte.

BATERIA

Las baterías no utilizadas durante cierto tiempo deben ser recargadas antes de usar.

Las temperaturas superiores a 50°C reducen el rendimiento de la batería. Evite una exposición excesiva a fuentes de calor o al sol (riesgo de sobrecalentamiento).

Los puntos de contacto de los cargadores y las baterías se deben mantener limpios.

Para un tiempo óptimo de vida, deberán cargarse las baterías completamente después de su uso.

Para garantizar la máxima capacidad y vida útil, las baterías recargables se deberían retirar del cargador una vez finalizada la carga.

En caso de almacenar la batería recargable más de 30 días:

Almacenar la batería recargable en un lugar seco a una temperatura de aproximadamente 27°C. Almacenar la batería recargable con un estado de carga del 30% y 50% aproximadamente. Recargar la batería cada 6 meses.

TRANSPORTE DE BATERÍAS DE IONES DE LITIO

Las baterías de iones de litio caen bajo las disposiciones legales relativas al transporte de mercancías peligrosas.

El transporte de estas baterías recargables debe llevarse a cabo, observando las normas y disposiciones locales, nacionales e internacionales.

Los consumidores pueden transportar estas baterías recargables sin el menor reparo en la calle.

El transporte comercial de baterías recargables de iones de litio por empresas de transportes está sometido a las disposiciones del transporte de mercancías peligrosas. Las preparaciones para el envío y el transporte deben ser llevados a cabo exclusivamente por personas instruidas adecuadamente. El proceso completo debe ser supervisado por personal competente.

Los siguientes puntos se deben observar para el transporte de las baterías recargables:

Se debe asegurar que los contactos estén protegidos y aislados para evitar que se produzcan cortocircuitos. Preste atención a que el conjunto de baterías recargables no se pueda desplazar dentro del envase. Las baterías recargables deterioradas o derramadas no se deben transportar. Rogamos que para cualquier información adicional se dirija a su empresa de transportes.

PROTECCIÓN CONTRA SOBRECARGA DE LA BATERÍA

En caso de sobrecarga de la batería a causa de un consumo de corriente demasiado elevado, por ejemplo, en momentos de torsión extremadamente altos, de una parada o cortocircuito repentino; el aparato eléctrico vibra durante 5 segundos, el indicador de carga parpadea y el aparato eléctrico se desconecta automáticamente. Para conectarlo de nuevo, soltar el botón de encendido y después conectarlo otra vez.

Bajo cargas extremas la batería se calienta demasiado. En este caso, todas las luces del indicador de carga parpadean hasta que la batería se enfría. Cuando se apaga el indicador de carga se puede trabajar de nuevo.

Meta entonces la batería en el cargador para recargarla otra vez y activarla.

MANTENIMIENTO

Retire la batería antes de comenzar cualquier trabajo el aparato.

Asegúrese de desconectar la herramienta de la fuente de alimentación antes de ajustar o retirar la hoja de sierra.

Sustituya la pieza de refuerzo de mesa desgastada.

Limpie la herramienta y el dispositivo protector con un paño seco.

Las ranuras de ventilación de la máquina deben estar despejadas en todo momento.

Utilice solamente accesorios y repuestos Milwaukee. En caso de necesitar reemplazar componentes no descritos, contacte con cualquiera de nuestras estaciones de servicio Milwaukee (consultar lista de servicio técnicos)

En caso necesario, puede solicitar un despiece de la herramienta. Por favor indique el número de impreso que hay en la etiqueta y pida el despiece a la siguiente dirección: Techtronic Industries GmbH, Max-Eyth-Straße 10, 71364 Winnenden, Germany.

DECLARACIÓN DE CONFORMIDAD CE

Declaramos bajo nuestra única responsabilidad que el producto descrito bajo „Datos técnicos“ cumple todas las disposiciones pertinentes de las directivas

2011/65/UE (RoHS)

2006/42/CE

2014/30/UE

y que se han implementado y estándares

EN 62841-1:2015

EN 62841-3-9:2015

EN 55014-1:2006+A1:2009+A2:2011

EN 55014-2:2015

EN 61326-1:2013

EN 50581:2012



Winnenden, 2016-08-19

Alexander Krug / Managing Director

Autorizado para la redacción de los documentos técnicos.

Techtronic Industries GmbH

Max-Eyth-Straße 10, 71364 Winnenden, Germany



SÍMBOLOS



¡ATENCIÓN! ¡ADVERTENCIA! ¡PELIGRO!



Retire la batería antes de comenzar cualquier trabajo el aparato.



Lea las instrucciones detenidamente antes de conectar la herramienta



Para trabajar con la máquina, utilizar siempre gafas de protección.



Usar protectores auditivos!



Usar guantes protectores



¡Área de peligro! Mantenga alejados de este área las manos, dedos o brazos.



No exponga la máquina a la lluvia.



¡ATENCIÓN! No ponga la vista en la lámpara encendida.



Los aparatos eléctricos no se deben eliminar junto con la basura doméstica. Los aparatos eléctricos y electrónicos se deben recoger por separado y se deben entregar a una empresa de reciclaje para una eliminación respetuosa con el medio ambiente. Infórmese en las autoridades locales o en su tienda especializada sobre los centros de reciclaje y puntos de recogida.



Marca CE



Certificado UkrSEPRO de conformidad

TR 066



Certificado EAC de conformidad

Características técnicas Serra de Esquadilhas	M18 FMS254
Número de produção	4569 52 01... ...000001 - 999999
Velocidade em vazio	4000 min ⁻¹
Tensão do acumulador	18 V
Ø de disco x Ø da furação	254 x 30 mm
Espessura do corpo da serra no máx.	2 mm
Espessura dos dentes da serra no mín.	2,8 mm
Largura de corte no máx.	
Esquadria 0°/ Inclinação 0°	91 x 289 mm
Esquadria 45°/ Inclinação 0°	91 x 205 mm
Esquadria 0°/ Inclinação 45°	51 x 289 mm
Esquadria 45°/ Inclinação 45°	51 x 205 mm
Peso nos termos do procedimento-EPTA 01/2003 (Li-Ion 5,0 Ah)	20,0 kg
Informações sobre ruído	
Valores de medida de acordo com EN 62841. O nível de ruído avaliado A do aparelho é tipicamente:	
Nível da pressão de ruído (Incertez K=3dB(A))	90,5 db(A)
Nível da potência de ruído (Incertez K=3dB(A))	101,5 db (A)
Use protectores auriculares!	



Por

⚠ ATENÇÃO Ler todas as indicações de segurança, instruções, representações e dados fornecidos juntamente com o aparelho. O desrespeito das advertências e instruções apresentadas abaixo pode causar choque eléctrico, incêndio e/ou graves lesões.

Guarde bem todas as advertências e instruções para futura referência.

⚠ INSTRUÇÕES DE SEGURANÇA PARA SERRAS CIRCULARES

a) As serras circulares destinam-se a cortar madeira ou produtos semelhantes a madeira, não podendo ser utilizadas com discos de corte abrasivos para cortar materiais ferrosos, tais como barras, varas, pinos, etc. O pó proveniente dos produtos abrasivos faz com que as peças móveis, tais como a proteção inferior, encravem. As faíscas produzidas pelo corte abrasivo queimarão a proteção inferior, o encaixe de corte e outras peças de plástico.

b) Sempre que possível, utilize grampos para segurar a peça. Se estiver a segurar a peça com as mãos, deverá sempre manter a sua mão a uma distância de, pelo menos, 100 mm de qualquer um dos lados da lâmina da serra. Não utilize esta serra para cortar pedaços que, por serem demasiado pequenos, não possam fixar-se em segurança com grampos ou manualmente. Se a sua mão estiver demasiado próxima da lâmina da serra, há um risco acrescido de lesão por contacto com a lâmina.

c) A peça tem de estar imóvel e presa com grampos, ou ser apoiada contra a barreira de proteção e contra a mesa. Não introduza a peça na lâmina nem efetue cortes de «mão livre», em nenhuma situação. As peças soltas ou móveis poderão ser projetadas a altas velocidades, provocando ferimentos.

d) Empurre a serra através da peça. Não puxe a serra através da peça. Para fazer um corte, levante a cabeça da serra, puxe-a sobre a peça sem cortar, ligue o motor, pressione a cabeça da serra para baixo e empurre a serra através da peça. Começar a cortar no momento de arranque poderá fazer com

que a lâmina da serra suba para cima da peça e projete a montagem da lâmina, violentamente, contra o operador.

e) Nunca atravesse a sua mão sobre a linha de corte pretendida, quer em frente quer atrás da lâmina da serra. Segurar na peça com as «mãos cruzadas», ou seja, segurar na peça à direita da lâmina da serra com a sua mão esquerda, ou vice-versa, é muito perigoso.

f) Enquanto a serra estiver a girar, não tente chegar atrás da barreira de proteção, com nenhuma das mãos, para remover restos de madeira ou por qualquer outro motivo, a uma distância mais próxima do que 100 mm de cada um dos lados da lâmina da serra. A proximidade da lâmina da serra em rotação relativamente à sua mão poderá não ser evidente e poderá lesionar-se de forma séria.

g) Inspeccione a sua peça antes de a cortar. Se a peça estiver empenada ou deformada, fixe-a com grampos colocando-o exterior da parte empenada contra a barreira. Certifique-se sempre de que, ao longo da linha de corte, não existe nenhum espaço vazio entre a peça, a barreira e a mesa. As peças empenadas ou deformadas podem girar ou deslocar-se e fazer com que a serra em movimento bloqueie durante o corte. A peça não deverá conter pregos ou objetos estranhos.

h) Não utilize a serra até que a mesa se encontre desimpedida de todas as ferramentas, restos de madeira, etc., exceto a própria peça. Pequenos detritos e pedaços soltos de madeira ou outros objetos que contactem com a lâmina em rotação poderão ser projetados a alta velocidade.

i) Corte apenas uma peça de cada vez. Várias peças empilhadas não podem ser adequadamente grampeadas ou escoradas, podendo vir a bloquear a lâmina ou a deslocar-se durante o corte.

j) Antes de a utilizar, certifique-se de que a serra circular é montada ou colocada sobre uma superfície de trabalho nivelada e firme. Uma superfície de trabalho nivelada e firme reduz o risco de a serra circular se tornar instável.

k) Planeie o seu trabalho. Sempre que alterar a configuração da chanfradura ou o ângulo da serra circular,

certifique-se de que a barreira ajustável está montada de forma correta para apoiar a peça e de que não interfere com a lâmina ou com o sistema de protecção. Sem ligar a ferramenta e sem ter nenhuma peça na mesa, desloque a lâmina da serra através de um corte completo simulado, a fim de garantir que não existe nenhuma interferência ou perigo de cortar a barreira de protecção.

l) Para peças que sejam mais longas do que o tampo da mesa, proporcione apoios adequados, tais como extensões de bancada, cavaletes, etc. Se não tiverem um apoio seguro, as peças mais longas ou largas do que a mesa da serra circular poderão inclinar-se. Se o pedaço cortado ou a própria peça se inclinarem, poderão fazer levantar a protecção inferior ou ser projectados pela lâmina em rotação.

m) Não utilize outra pessoa como substituto de uma extensão de bancada ou como apoio adicional. O apoio instável da peça poderá fazer com que a lâmina bloqueie ou com que a peça se desloque durante a operação de corte, puxando-o a si e ao seu auxiliar para a lâmina em rotação.

n) A peça cortada não deve ser encravada ou pressionada, seja de que modo for, contra a lâmina da serra em movimento. Se for confinado, ou seja, se forem utilizados travões de comprimento, o pedaço cortado pode ficar encravado contra a lâmina e ser projectado violentamente.

o) Utilize sempre um grampo ou aparelho concebido para apoiar adequadamente materiais redondos, tais como varas ou tubagens. As varas têm tendência para rolar ao serem cortadas, fazendo com que a lâmina «morda» e puxe o trabalho, juntamente com a sua mão, para a lâmina.

p) Deixe a lâmina alcançar a velocidade máxima antes de contactar com a peça. Isto reduzirá o risco de a peça ser projectada.

q) Se a peça ou a lâmina encravarem, desligue a serra circular. Espere que todas as partes em movimento parem e desligue a ficha da fonte de alimentação eléctrica e/ou retire a bateria. Depois, liberte o material encravado. Continuar a serrar uma peça encravada poderá provocar a perda de controlo ou danificar a serra circular.

r) Depois de acabar de cortar, solte o interruptor, mantenha a cabeça da serra em baixo e aguarde que a lâmina pare, antes de remover a peça cortada. Aproximar a sua mão da lâmina enquanto esta ainda estiver a abrandar é perigoso.

s) Segure firmemente na pega ao fazer um corte incompleto ou ao soltar o interruptor antes de a cabeça da serra estar completamente para baixo. A ação de travagem da serra poderá fazer com que a cabeça da serra seja puxada subitamente para baixo, provocando risco de lesão.

Instruções de segurança e trabalho suplementares

Sempre use a protecção dos ouvidos. Os ruídos podem causar surdez.

Usar sempre óculos de protecção ao trabalhar com a máquina. Recomenda-se a utilização de luvas de protecção, protectores para os ouvidos e máscara anti-poeiras.

A poeira gerada ao trabalhar com esta ferramenta pode ser perigosa para a saúde e por isso não deve atingir o corpo. Utilize um sistema de absorção de poeiras e use uma máscara de protecção. Retire completamente a poeira depositada, por exemplo com um aspirador.

Ao serrar madeira, conecte a serra a um aspirador de pó.

Use luvas de protecção!

Recomenda-se a leitura atenta das instruções de serviço da máquina antes da primeira utilização. Paça para ser adestrado no uso prático da gadanheira.

Assegure-se que a máquina sempre esteja numa posição segura (por exemplo fixação na bancada de trabalho).

Mantenha o piso livre de resíduos de material, por exemplo aparas ou resíduos de serração.

Não use folhas de serra danificadas ou deformadas.

É inadmissível a utilização de discos de serra que não correspondam às características especificadas nestas instruções de serviço.

Devem apenas utilizar-se ferramentas que correspondem à norma EN 847-1.

Não utilize folhas de serra fabricadas de aço rápido.

Selecione uma folha de serra apropriada para o material a cortar.

As rotações admissíveis da ferramenta de trabalho devem ser pelo menos tão elevadas como as rotações máximas indicadas na ferramenta eléctrica. Os acessórios que rodam mais rapidamente do que o permitido podem partir-se e ser projectados.

As ferramentas devem ser transportadas e guardadas num receptáculo adequado;

Só utilize os flanges juntados e representados no manual de instruções para fixar a folha de serra.

Nunca utilize a serra de corte para cortar materiais não indicados no manual de instruções.

Só use a serra de aparar com uma tampa de protecção de funcionamento seguro, bem mantida. A tampa de protecção deve girar para trás automaticamente.

Não remova os resíduos de serração e outras partes de materiais da área de serração quando a máquina estiver a operar e a cabeça de serra não estiver na posição de repouso.

Não introduza as mãos na área perigosa, estando a máquina em funcionamento.

Nunca utilizar a máquina sem dispositivo de protecção.

Erros na máquina, inclusive do dispositivo de protecção ou das folhas de serra deverão ser comunicadas à pessoa responsável pela segurança, logo que forem detectados.

Não bloquear a cobertura de protecção giratória.

Materiais compridos deverão ser suportados apropriadamente.

Só transporte a serra de corte com dispositivo de transporte engatado no punho.

Ao efetuar cortes em ângulo, em bisel ou em ângulo compostos, ajustar a barreira deslizante para assegurar a distância correta da lâmina.



Ajuste a velocidade de avanço para evitar um sobreaquecimento dos dentes das folhas de serra e a fundição do material plástico durante o corte.

UTILIZAÇÃO AUTORIZADA

A serra de aparar pode ser utilizada para serrar madeira maciça, madeira colada, materiais similares com madeira e materiais plásticos.

Materiais com secção transversal redonda ou irregular (por exemplo lenha) não devem ser serrados, pois não é possível segurá-los seguramente na serração. Na serração de canto de materiais planos, um encosto auxiliar apropriado deve ser usado para guiar o material seguramente.

RISCOS RESIDUAIS

Mesmo se este produto for usado de forma correcta, riscos residuais não podem ser inteiramente excluídos. Os seguintes riscos podem ocorrer na utilização. Por isso, o utilizador deve observar o seguinte:

- Para evitar danos de audição, o tempo de exposição deve ser limitado e uma protecção dos ouvidos adequada deve ser usada.
- O utilizador deve tomar as medidas necessárias para reduzir os efeitos das vibrações e limitar o tempo de exposição.
- Deverá ser usada uma máscara respiratória para evitar riscos de saúde, causados pela inalação de serradura.

ACUMULADOR

Acumuladores não utilizados durante algum tempo devem ser recarregados antes da sua utilização.

Temperaturas acima de 50°C reduzem a capacidade do bloco acumulador. Evitar exposição prolongada ao sol ou a caloríferos. Manter limpos os contactos eléctricos no carregador e no bloco acumulador.

Para uma vida útil óptima das baterias, terá que carregá-las plenamente após a sua utilização.

Para assegurar uma vida útil longa, o pacote de bateria deve ser removido da carregadora depois do carregamento.

Se o pacote de bateria for armazenado por mais de 30 dias: Arma-zene o pacote de bateria com aprox. 27°C em um lugar seco. Arma-zene o pacote de bateria com aprox. 30%-50% da carga completa. Carregue o pacote de bateria novamente de 6 em 6 meses.

TRANSPORTE DE BATERIAS DE IÃO-LÍLIO

Baterias de ião-lítio estão sujeitas às disposições da legislação relativa às substâncias perigosas.

O transporte destas baterias deve ser efetuado de acordo com as disposições e os regulamentos locais, nacionais e internacionais.

O utilizador pode efetuar o transporte rodoviário destas baterias sem restrições.

O transporte comercial de baterias de ião-lítio por terceiros está sujeito aos regulamentos relativos às substâncias perigosas. A preparação do transporte e o transporte devem ser executados exclusivamente por pessoas instruídas e o processo deve ser acompanhado pelos especialistas correspondentes.

Observe o seguinte no transporte de baterias:

Assegure-se de que os contatos terminais estejam protegidos e isolados para evitar um curto-circuito. Assegure-se de que o bloco da bateria esteja protegido contra movimentos na embalagem. Não transporte baterias danificadas ou que tenham fuga. Para instruções mais detalhadas consulte a companhia de transportes

PROTECÇÃO DE SOBRECARGA DE BATERIA

No caso de sobrecarga da bateria devido a um consumo de corrente demasiado elevado, por exemplo um binário de rotação extremamente elevado, uma paragem repentina ou um curto-circuito, a ferramenta eléctrica vibra durante 5 segundos, o indicador de carregamento de bateria começa a piscar e a ferramenta eléctrica desliga-se automaticamente.

Para a ligar novamente, desligar e voltar a ligar o interruptor Sob condições extremas, a bateria aquece demasiado. Nesse caso, todas as luzes do indicador de carregamento de bateria piscam até que esta arrefeça. Após as luzes do indicador de carregamento de bateria se apagarem, pode-se continuar a trabalhar.

Voltar então a colocar o acumulador no carregador para o carregar de novo e para assim o activar.

MANUTENÇÃO

Antes de efectuar qualquer intervenção o aparelho retirar o bloco acumulador.

Certifique-se que desliga a ferramenta da rede eléctrica antes de instalar ou remover a lâmina serra.

Substitua a inserção de mesa desgastada.

Limpe o aparelho e o dispositivo de protecção com um pano seco.

Manter desobstruídos os rasgos de ventilação na carcaça da máquina.

Utilizar apenas acessórios Milwaukee e peças sobresselentes Milwaukee. Os componentes cuja substituição não esteja descrita devem ser substituídos num serviço de assistência técnica Milwaukee (consultar a brochura relativa à garantia/moradas dos serviços de assistência técnica).

A pedido e mediante indicação da referência que consta da chapa de características da máquina, pode requerer-se um desenho explosivo da ferramenta eléctrica a: Techtronic Industries GmbH, Max-Eyth-Straße 10, 71364 Winnenden, Germany.

DECLARAÇÃO DE CONFORMIDADE CE

Declaramos, sob a nossa inteira responsabilidade, que o produto descrito em «Dados Técnicos» cumpre todas as disposições relevantes das diretivas

2011/65/UE (RoHS)

2006/42/CE

2014/30/UE

tendo sido seguidas as seguintes normas harmonizadas

EN 62841-1:2015

EN 62841-3-9:2015

EN 55014-1:2006+A1:2009+A2:2011

EN 55014-2:2015

EN 61326-1:2013

EN 50581:2012



Winnenden, 2016-08-19

Alexander Krug / Managing Director
Autorizado a reunir a documentação técnica.

Techtronic Industries GmbH

Max-Eyth-Straße 10, 71364 Winnenden, Germany



Por

SYMBOLE



ATENÇÃO! PERIGO!



Antes de efectuar qualquer intervenção o aparelho retirar o bloco acumulador.



Leia atentamente o manual de instruções antes de colocar a máquina em funcionamento.



Usar sempre óculos de protecção ao trabalhar com a máquina.



Use protectores auriculares!



Use luvas de protecção!



Área perigosa! Manter as mãos, os dedos e os braços afastados desta área.



Não exponha a máquina à chuva.



ATENÇÃO! Não olhe directamente para a lâmpada ligada.



Aparelhos eléctricos não devem ser jogados no lixo doméstico. Aparelhos eléctricos e electrónicos devem ser colectados separadamente e entregues a uma empresa de reciclagem para a eliminação correcta. Solicite informações sobre empresas de reciclagem e postos de colecta de lixo das autoridades locais ou do seu vendedor autorizado.



Marca CE



Marca de conformidade UkrSEPRO .

TR 066



Marca de conformidade EurAsian.



Por

Technische gegevens Afkortzaagmachine	M18 FMS254
Productienummer	4569 52 01... ...000001 - 999999
Onbelast toerental	4000 min ⁻¹
Spanning wisselakku	18 V
Zaagblad ø x boring ø	254 x 30 mm
Dikte de behuizing voor het zaagblad max. Dikte van de zaagtanden min.	2 mm 2,8 mm
Freesebreedte max. Verstek 0°/ Neiging 0° Verstek 45°/ Neiging 0° Verstek 0°/ Neiging 45° Verstek 45°/ Neiging 45°	91 x 289 mm 91 x 205 mm 51 x 289 mm 51 x 205 mm
Gewicht volgens de EPTA-procedure 01/2003 (Li-Ion 5,0 Ah)	20,0 kg
Geluidsinformatie	
Meetwaarden vastgesteld volgens EN 62841. Het kenmerkende A-gewogen geluidsniveau van de machine bedraagt:	
Geluidsdrukniveau (Onzekerheid K=3dB(A))	90,5 db(A)
Geluidsvermoggenniveau (Onzekerheid K=3dB(A))	101,5 db (A)
Draag oorbeschermers!	



⚠ WAARSCHUWING Lees en bekijk alle veiligheidsaanwijzingen, aanwijzingen, afbeeldingen en gegevens die u bij het apparaat ontvangt. Als de waarschuwingen en voorschriften niet worden opgevolgd, kan dit een elektrische schok, brand of ernstig letsel tot gevolg hebben. **Bewaar alle waarschuwingen en voorschriften voor toekomstig gebruik.**

⚠ VEILIGHEIDSAANWIJZINGEN VOOR VERSTEKZAGEN

- a) Verstekzagen zijn bestemd voor het zagen van hout of houtachtige producten. Zij kunnen niet worden gebruikt met slijpschijven voor het snijden in ijzerhoudende materialen zoals stangen, staven, tapbouten enz.** Slijpstof en stof kan ertoe leiden dat bewegende delen zoals de onderste afscherming vast komen te zitten. Vonken door het werken met slijpschijven kunnen de onderste afscherming, het zaagsnede-element en andere plastic onderdelen verbranden.
- b) Gebruik indien mogelijk klemmen om het werkstuk vast te zetten. Wanneer het werkstuk met de hand ondersteund wordt, moet u uw hand altijd aan beide zijden van het zaagblad op minimaal 100 mm afstand houden. Gebruik deze zaag niet om stukken te zagen die te klein zijn om veilig ingeklemd of vastgehouden te worden.** Wanneer u met uw handen te dicht bij het zaagblad komt, neemt het risico op verwondingen door contact met de zaag toe.
- c) Het werkstuk moet onbeweeglijk ingeklemd zijn of tegen de aanslag en de tafel vastgehouden worden. Beweeg het werkstuk niet naar het zaagblad toe en zaag op geen enkele manier "uit de vrije hand".** Net vastgezette of bewegende werkstukken kunnen met hoge snelheid weggeslingerd worden en letsel veroorzaken.
- d) Duw de zaag door het werkstuk heen. Trek de zaag niet door het werkstuk heen. Om een zaagsnede te maken, tilt u de zaagkop omhoog en trekt u die boven het werkstuk zonder te zagen. Start de motor, druk de zaagkop omlaag en druk de zaag door het werkstuk.** Zagen tijdens het naar voren trekken van de zaag leidt er waarschijnlijk toe dat het zaagblad op

het werkstuk ,klimt' en dat de zaagbladeenheid met geweld in de richting van de gebruiker wordt geslingerd.

- e) Zat uw hand nooit dwars op de beoogde zaaglijn neer voor of achter het zaagblad.** Het ,kruiselings' ondersteunen van het werkstuk, d.w.z. het werkstuk rechts van het zaagblad vasthouden met uw linkerhand of vice versa, is zeer gevaarlijk.
- f) Kom niet met uw hand(en) achter de afscherming tot op een afstand van minder dan 100 mm van beide zijden van het zaagblad om houtsnippers te verwijderen of om welke andere reden dan ook, terwijl het zaagblad nog draait.** De nabijheid van het draaiende zaagblad tot uw hand valt wellicht niet op en u kunt ernstig gewond raken.
- g) Inspecteer uw werkstuk alvorens te zagen. Wanneer het werkstuk verbogen of krom is, moet u het inklemmen met de buitenste ronding naar de aanslag. Zorg er altijd voor dat er in de lijn van de zaagsnede geen open ruimte / spleet is tussen het werkstuk, de aanslag en de tafel.** Verbogen of vervormde werkstukken kunnen zich draaien of verschuiven en kunnen het draaiende zaagblad laten vastlopen tijdens het zagen. Er mogen geen nagels of vreemde voorwerpen in het werkstuk zitten.
- h) Gebruik de zaag pas, wanneer alle gereedschappen, houtresten enz. - behalve het werkstuk - van de tafel verwijderd zijn.** Klein vuil, losse stukjes hout of andere voorwerpen die met het draaiende zaagblad in aanraking komen, kunnen met hoge snelheid worden weggeslingerd.
- i) Zaag slechts een werkstuk tegelijk.** Gestapelde werkstukken kunnen niet adequaat worden vastgezet of ondersteund en kunnen het blad laten vastlopen of de werkstukken kunnen bij het zagen verschuiven.
- j) Zorg ervoor dat de verstekzaag op een stevige, vlakke ondergrond staat, voordat u die in gebruik neemt.** Een vlak en stevig werkblad verlaagt het risico op een instabiele zaagmachine.
- k) Plan uw werk. Telkens wanneer u de instelling voor de afschuining of het verstek wijzigt, dient u zich ervan te**

verzekeren dat de instelbare aanslag correct ingesteld is, het werkstuk correct ondersteunt en niet in conflict komt met het zaagblad of de beveiligingen. Zonder de machine "Aan" te zetten en zonder werkstuk op de tafel, beweegt u de zaag door een volledige gesimuleerde zaagbeweging om te controleren dat het zaagblad geen obstakels tegenkomt en niet in de aanslag snijdt.

l) Zorg voor adequate ondersteuning zoals tafelerleningen, zaagbokken enz. voor een werkstuk dat breder of langer is dan het tafelblad. Werkstukken die langer of breder zijn dan de verstekzaagtafel, kunnen kantelen, wanneer zij niet veilig ondersteund worden. Wanneer het afgezaagde stuk of het werkstuk kantelt, kan dit de onderste afscherming optillen of door het roterende blad worden weggeslingerd.

m) Gebruik nooit iemand anders als vervanging voor een duidelijke tafelerlening of als additionele ondersteuning. Een instabiele ondersteuning voor het werkstuk kan ertoe leiden dat het zaagblad vastloopt of dat het werkstuk verschuift tijdens de zaagbewerking, waardoor u met de helper naar het zaagblad wordt getrokken.

n) Het afgezaagde stuk mag niet op welke manier dan ook tegen het draaiende zaagblad worden gedrukt of gekneld. Wanneer het afgezaagde stuk bijv. door stoppers in lengterichting wordt tegengehouden, kan het tegen het zaagblad worden gedrukt en met geweld weggeslingerd worden.

o) Gebruik altijd een klem of een bevestiging die ontworpen is voor ondersteuning van ronde materialen zoals staven en buizen. Staven hebben de neiging om tijdens het zagen te rollen waardoor het blad in het werkstuk "bijt" en het met uw hand naar het zaagblad trekt.

p) Laat het zaagblad het volle toerental bereiken, voordat het contact met het werkstuk maakt. Dit beperkt het risico dat het werkstuk wordt weggeslingerd.

q) Wanneer het werkstuk of het zaagblad vastlopen, moet de verstekzaag worden uitgeschakeld. Wacht tot alle bewegende delen tot stilstand zijn gekomen en trek de stekker uit het stopcontact en/of verwijder het accupakket. Bevrijd vervolgens het vastzittende materiaal. Doorzagen bij een vastzittend werkstuk kan ertoe leiden dat u de controle verliest over de zaag of dat die beschadigd raakt.

r) Na afronding van de zaagsnede laat u de schakelaar los, houdt u de zaagkop omlaag en wacht u tot het zaagblad stilstaat, voordat u het afgezaagde stuk verwijdert. Het is gevaarlijk om met uw handen in de buurt van het uitlopende zaagblad te komen.

s) Houd de handgreep stevig vast, wanneer u een onvolledige zaagsnede maakt of wanneer u de schakelaar loslaat, voordat de zaagkop helemaal in de onderste positie is gekomen. De afremming van de zaag kan ertoe leiden dat de zaagkop plotseling naar beneden getrokken wordt en daardoor een risico op letsel oplevert.

Verdere veiligheids- en werkinstructies

Draag oorbeschermers. Lawaai kan gehoorverlies veroorzaken. Bij het werken met de machine altijd een veiligheidsbril dragen. Werkhandschoenen en stofkapje voor de mond worden aanbevolen.

Stof die vrijkomt tijdens het werken vormt vaak een gevaar voor de gezondheid en mag niet met het lichaam in aanraking komen. Machines met stofafzuiging gebruiken en tevens geschikte stofmaskers dragen. Vrijgekomen stof grondig verwijderen resp. opzuigen.

Sluit de zaag aan op een stofzuiger als u hout zaagt.

Draag veiligheidshandschoenen!

Voordat u de machine de eerste keer gaat gebruiken, is het raadzaam de gebruiksaanwijzing zorgvuldig te lezen en u zich te verdiepen in de toepassingsmogelijkheden van deze machine.

Waarborg dat de machine altijd veilig staat (bijv. op de werkbank bevestigen).

Houd de vloer vrij van materiaalresten bijv. spaanders en zaagresten.

Gebruik geen zaagbladen die beschadigd of vervormd zijn.

Zaagbladen, waarvan de gegevens niet overeenkomen welke in de gebruiksaanwijzing staan, mogen niet gebruikt worden.

Er mag alleen gereedschap worden gebruikt dat in overeenstemming is met de norm EN 847-1.

Gebruik geen zaagbladen van sneldraaistaal.

Kies een geschikt zaagblad voor het te zagen materiaal.

Het toelaatbare toerental van het inzetgereedschap moet minstens even hoog zijn als het maximale toerental dat op het elektrische gereedschap is aangegeven. Toebehoren dat sneller draait dan toegestaan, kan breken en in het rond vliegen.

De gereedschappen moeten in een geschikte houder vervoerd en bewaard worden;

Gebruik alleen de bijgeleverde en in de gebruiksaanwijzing afgebeelde flens voor de bevestiging van het zaagblad.

Gebruik de kapzaag nooit voor het zagen van andere materialen dan in de gebruiksaanwijzing vermeld staan.

Gebruik de afkortzaagmachine alléén met een correct functionerende en goed onderhouden veiligheidskap. De veiligheidskap moet zelfstandig terugzwenken.

Verwijder geen zaagresten of andere delen van werkstukken uit het zaagbereik wanneer de machine in bedrijf is en de zaagkop niet in de ruststand staat.

Niet aan de draaiende delen komen.

Bescherming van de machine beslist gebruiken.

Defecten aan/storingen van de machine, de veiligheidsinrichting of de zaagbladen dienen – zodra zij geconstateerd worden – bij de voor de veiligheid verantwoordelijke persoon gemeld te worden.

Pendelbeschermkap niet vastklemmen.

Lange werkstukken moeten goed gesteund worden.

Transporteer de kapzaag alleen met geactiveerde transportbeveiliging aan de handgreep.

Stel de verschuifbare geleider af bij het maken van een verstek, afschuining of samengesteld verstek om de juiste vrije spleet voor het zaagblad te garanderen.

Vorkom dat de zaagbladtanden oververhit raken en kunststof bij het snijden begint te smelten door de voortbewegingssnelheid dienovereenkomstig aan te passen.



VOORGESCHREVEN GEBRUIK VAN HET SYSTEEM

De afkortzaagmachine is geschikt voor het zagen van massief hout, gelijmd hout, met hout vergelijkbare materialen en kunststoffen.

Werkstukken met een ronde of onregelmatige doorsnee (bijv. brandhout) mogen niet gezaagd worden, omdat deze bij het zagen niet veilig kunnen worden vastgehouden. Bij het verticaal zagen van platte werkstukken moet een geschikte hulpaanslag worden gebruikt voor een veilige geleiding

RESTERENDE GEVAREN

Zelfs bij correct gebruik van het product kunnen resterende gevaren niet volledig worden uitgesloten. De bediener dient de volgende punten in acht te nemen om eventuele risico's te vermijden:

- De bediener dient geschikte gehoorbescherming te dragen ter vermindering van gehoorschade en de blootstelling aan lawaai zo kort mogelijk te houden.
- De bediener dient maatregelen te treffen om het effect van de vibraties te verminderen en de blootstelling aan vibraties zo kort mogelijk te houden.
- De bediener moet een ademhalingsmasker dragen om risico's voor de gezondheid te vermijden die kunnen ontstaan door het inademen van zaagstof.

AKKU

Langere tijd niet toegepaste wisselakku's vóór gebruik altijd naladen.

Een temperatuur boven de 50°C vermindert de capaciteit van de accu. Langdurige verwarming door zon of hitte vermijden.

De aansluitcontacten aan het laadapparaat en de accu schoonhouden.

Voor een optimale levensduur moeten de accu's na het gebruik volledig opgeladen worden.

Voor een zo lang mogelijke levensduur van de accu's dienen deze na het opladen uit het laadtoestel te worden verwijderd.

Bij een langere opslag van de accu dan 30 dagen: accu bij ca. 27°C droog bewaren. accu bij ca. 30% - 50% van de laadtoestand bewaren. accu om de 6 maanden opnieuw opladen.

TRANSPORT VAN LITHIUM-IONEN-ACCU'S

Lithium-ionen-accu's vallen onder de wettelijke bepalingen inzake het transport van gevaarlijke goederen.

Voor het transport van deze accu's moeten de lokale, nationale en internationale voorschriften en bepalingen in acht worden genomen.

Verbruikers mogen deze accu's zonder meer over de weg transporteren.

Het commerciële transport van lithium-ionen-accu's door expeditiebedrijven is onderhevig aan de bepalingen inzake het transport van gevaarlijke goederen. De verzendingsvoorbereidingen en het transport mogen uitsluitend worden uitgevoerd door dienovereenkomstig opgeleide personen. Het complete proces moet vakkundig worden begeleid.

Onderstaande punten moeten bij het transport van accu's in acht worden genomen:

Waarborg ter vermindering van kortsluitingen dat de contacten beschermd en geïsoleerd zijn. Let op dat het accupack in de verpakking niet kan verschuiven. Beschadigde of lekkende accu's mogen niet worden getransporteerd. Neem voor meer informatie contact op met uw expeditiebedrijf.

OVERBELASTINGSBEVEILIGING VAN DE ACCU

Bij overbelasting van de accu door zeer hoog stroomverbruik, bijv. extreem hoge draaimomenten, plotseling stoppen of kortsluiting, vibreert het elektrische gereedschap gedurende 5 seconden, de laadweergave knippert en het elektrische gereedschap schakelt automatisch uit.

Om het gereedschap weer in te schakelen, moet u de drukschakelaar loslaten en vervolgens weer inschakelen.

Onder extreme belastingen wordt de accu te heet. In dit geval knipperen alle lampen van de laadweergave totdat de accu afgekoeld is. Na het doven van de laadweergave kunt u weer verder werken.

Steeek de accu in het laadtoestel om hem weer op te laden en te activeren.

ONDERHOUD

Voor alle werkzaamheden aan de apparat de accu verwijderen.

Zorg ervoor dat het werktuig van de stroomvoorziening wordt ontkoppeld voor u het zaagblad vastmaakt of verwijdert.

Vervang een versleten tafelelement.

Reinig het apparaat en de veiligheidsinrichting met een droge doek.

Altijd de luchtspleten van de machine schoonhouden.

Gebruik uitsluitend Milwaukee toebehoren en onderdelen. Indien componenten die moeten worden vervangen niet zijn beschreven, neem dan contact op met een officieel Milwaukee servicecentrum (zie onze lijst met servicecentra).

Onder vermelding van het nummer op het machineplaatje is desgewenst een doorsnedetekening van de machine verkrijgbaar bij: Techtronic Industries GmbH, Max-Eyth-Straße 10, 71364 Winnenden, Germany.

EC - VERKLARING VAN OVEREENSTEMMING

We verklaren geheel onder eigen verantwoordelijkheid dat het product in de "Technische data" voldoet aan alle relevante bepalingen van de richtlijnen

2011/65/EU (RoHS)

2006/42/EG

2014/30/EU

en de volgende geharmoniseerde normen zijn gebruikt.

EN 62841-1:2015

EN 62841-3-9:2015

EN 55014-1:2006+A1:2009+A2:2011

EN 55014-2:2015

EN 61326-1:2013

EN 50581:2012



Winnenden, 2016-08-19

Alexander Krug / Managing Director

Gemachtigd voor samenstelling van de technische documenten

Techtronic Industries GmbH

Max-Eyth-Straße 10, 71364 Winnenden, Germany



SYMBOLEN



OPGELET! WAARSCHUWING! GEVAAR!



Voor alle werkzaamheden aan de apparat de akku verwijderen.



Graag instructies zorgvuldig doorlezen vóórdát u de machine in gebruik neemt.



Bij het werken met de machine altijd een veiligheidsbril dragen.



Draag oorbeschermers!



Draag veiligheidshandschoenen!



Gevarenbereik! Houd handen, vingers en armen zo veel mogelijk uit de buurt.



Stel de machine niet bloot aan regen.



OPGELET! Kijk niet in de ingeschakelde lamp.



Elektrische apparaten mogen niet via het huisafval worden afgevoerd. Elektrische en elektronische apparaten moeten gescheiden worden verzameld en voor een milieuvriendelijke afvoer worden afgegeven bij een recyclingbedrijf. Informeer bij uw gemeente of bij uw vakhandelaar naar recyclingbedrijven en inzamelpunten.



CE-keurmerk



UkrSEPRO -symbool van overeenstemming.



EurAsian-symbool van overeenstemming.



Tekniske data Kap-/geringssav	M18 FMS254
Produktionsnummer	4569 52 01... ...000001 - 999999
Omdrejningstal, ubelastet	4000 min ⁻¹
Udskiftningsbatteriets spænding	18 V
Savklinge-ø x hul-ø	254 x 30 mm
Savklinge tykkelse af enhed maks.	2 mm
Savklinge tykkelse af tænder min.	2,8 mm
Skærebredde maks. gering 0°/ Hældning 0° gering 45°/ Hældning 0° gering 0°/ Hældning 45° gering 45°/ Hældning 45°	91 x 289 mm 91 x 205 mm 51 x 289 mm 51 x 205 mm
Vægt svarer til EPTA-procedure 01/2003 (Li-Ion 5,0 Ah)	20,0 kg
Støjinformation Måleværdier beregnes iht. EN 62841. Værktøjets A-vurderede støjniveau er typisk: Lydtrykniveau (Usikkerhed K=3dB(A)) Lydeffekt niveau (Usikkerhed K=3dB(A))	90,5 db(A) 101,5 db (A)
Brug høreværn!	



Dan

⚠ ADVARSEL Læs alle sikkerhedsanvisninger, instruktioner og data, der følger med enheden. I tilfælde af manglende overholdelse af advarselshenvisningerne og instrukserne er der risiko for elektrisk stød, brand og/eller alvorlige kvæstelser.

Opbevar alle advarselshenvisninger og instrukser til senere brug.

⚠ SIKKERHEDSANVISNINGER FOR GERINGSSE

a) Geringssave er beregnet til at skære i træ- eller træliggende produkter. De må ikke benyttes med skæreskiver til skæring i jernholdige materialer, såsom stænger, stave, stolper osv. Støv fra slibepulver kan få bevægelige dele, såsom den nederste afskærmning, til at blokere. Gnister fra slibende skæring vil brænde den nederste afskærmning, savsnitidsatsen og andre plastikdele.

b) Brug skruetvinger til at støtte arbejdsemnet, når det er muligt. Hvis du støtter arbejdsemnet med hånden, skal du altid holde din hånd mindst 100 mm fra begge sider af savklingen. Brug ikke denne sav til at skære stykker, der er for små til at blive forsvarligt fastspændt eller holdt i hånden. Hvis din hånd placeres for tæt på savklingen, er der et øget risiko for skader fra berøring af klingen.

c) Arbejdsemnet skal være faststående og fastgjort eller holdt imod både værnet og bordet. Indfør ikke arbejdsemnet til klingen, og skær ikke med „fri hånd“ på nogen som helst måde. Ikke fastspændt eller bevægelige arbejdsemner kan blive kastet ud med stor hastighed, hvilket kan forvolde skader.

d) Skub saven igennem arbejdsemnet. Træk ikke saven igennem arbejdsemnet. Hæv savhoved, når der skal laves en skæring, og træk det over arbejdsemnet uden at skære. Start motoren, tryk savhovedet ned, og skub saven igennem arbejdsemnet. Hvis der skæres ved at trække saven, kan det medføre, at savklingen klatrer oven på arbejdsemnet og kaster klingesamlingen ud mod operatøren med stor voldsomhed.

e) Kryds aldrig din hånd over den tilsigtede skæringslinje, hverken foran eller bag på savklingen. Det er meget farligt at støtte arbejdsemnet med „krydsede hænder“, dvs. holde

arbejdsemnet på højre side af savklingen med venstre hånd eller vice versa.

f) Hvis der skal rækkes ind bag værnet med nogen af hænderne for at fjerne træstumper eller af nogen anden grund, mens klingen drejer rundt, skal der være mindst 100 mm's afstand på begge sider af savklingen. Den drejende savklinge i nærheden af din hånd ses måske ikke tydeligt, og du kan komme alvorligt til skade.

g) Kontrollér dit arbejdsemne inden skæring. Hvis arbejdsemnet er bøjet eller skævt, skal det fastgøres med den udvendige side mod værnet. Vær altid sikker på, at der ikke er noget mellemrum mellem arbejdsemnet, værnet og bordet langs skæringslinjen. Bøjede eller skæve arbejdsemner kan dreje eller forskyde sig og kan medføre binding til den drejende savklinge under skæring. Der må ikke være nogen søm eller fremmedlegemer i arbejdsemnet.

h) Brug ikke saven, før bordet er ryddet for alle værktøjer, træstumper osv. undtagen arbejdsemnet. Små rester eller løse stykker træ eller andre genstande, der berører den drejende klinge, kan blive kastet ud med stor hastighed.

i) Skær kun et arbejdsemne ad gangen. Flere stablede arbejdsemner kan ikke fastgøres eller støttes ordentligt og kan binde på klingen eller forskyde sig under skæring.

j) Sørg for, at geringssaven er monteret eller anbragt på en plan, fast arbejdsflade inden brug. En plan og fast arbejdsflade reducerer risikoen, for at geringssaven bliver ustabil.

k) Planlæg dit arbejde. Hver gang du ændrer indstillingen af slibe- eller geringsvinklen, skal du sørge for, at det justerbare værnet er indstillet korrekt til at støtte arbejdsemnet og ikke vil forstyrre med klingen og afskærmnings-systemet. Bevæg savklingen igennem en komplet, simuleret skæring uden at tænde for værktøjet og uden nogen arbejdsemner på bordet, for at sikre, at der ikke er nogen forstyrrelse eller fare for at skære værnet.

l) Sørg for passende støtte som bordforlængere, savbukke osv., hvis et arbejdsemne er bredere eller længere end

bordpladen. Arbejdsemner, der er længere eller bredere end geringssaven, kan vælte, hvis de ikke er forsvarligt understøttet. Hvis det afskærne stykke eller arbejdsemnets vælter, kan det løfte den nederste afskærmning eller blive kastet ud af den drejende klinge.

m) Brug ikke en anden person som erstatning for en bordforlænger eller som ekstra støtte. Ustabil understøttelse af arbejdsemnet kan medføre, at klingen binder, eller at arbejdsemnet forskyder sig under skæringen, og derved trækker dig og hjælperen ind til den drejende klinge.

n) Det afskærne stykke må på ingen måde blive blokeret eller presset mod den drejende savklinge. Hvis det afskærne stykke begrænses, dvs. ved brug af længdestop, kan det blive klemt ind mod klingen og kastet ud med voldsomhed.

o) Brug altid en skruetvinge eller et opspændingsværktøj beregnet til korrekt understøttelse af runde materialer, såsom stænger eller rør. Stænger har en tendens til at rulle, mens de skæres, hvilket får klingens til at „bide“ og trække arbejdsemnet med din hånd ind i klingens.

p) Lad klingens nå fuld hastighed, inden den rører ved arbejdsemnet. Dette vil nedbringe risikoen, for at arbejdsemnet bliver kastet ud.

q) Sluk for geringssaven, hvis arbejdsemnet eller klingens bliver blokeret. Vent til alle bevægende dele stopper, og frakobl stikket fra strømforsyningen, og/eller tag batteripakken ud. Arbejd dernæst på at løse det blokerede arbejdsemne. Fortsat savning med et blokeret arbejdsemne kan føre til tab af kontrol over eller skade på geringssaven.

r) Frigør afbryderen, når skæringen er færdig. Hold savhovedet nedad, og vent til klingens standser, inden det afskærne stykke fjernes. Det er farligt at række din hånd ind i nærheden af den frit kørende klinge.

s) Hold godt fast om håndtaget, når der laves en ukomplet skæring, eller når afbryderen frigøres, inden savhovedet er helt i nede-position. Saven's bremsning kan gøre, at savhovedet pludseligt bliver trukket nedad, hvilket skaber risiko for skader.

Yderligere sikkerheds- og arbejdsinformationer

Bær høreværn. Støjen kan føre til nedsat hørelse.

Når der arbejdes med maskinen, skal man have beskyttelsesbriller på. Beskyttelseshandsker, skridsikre sko, høreværn og forklæde anbefales.

Støv, som opstår i forbindelse med fræsearbejdet, er ofte sundhedsskadeligt og må ikke trænge ind i kroppen. Brug en støvsuger og bær egnet støvbeskyttelsesmaske. Fjern grundigt aflejret støv (f.eks. ved opugning).

Tilslut saven til en støvsuger ved savning af træ.

Brug beskyttelseshandsker!

Det anbefales at læse brugsanvisningen grundigt igennem, før maskinen tages i brug første gang, og lade sig instruere i den praktiske håndtering.

Sørg for, at maskinen altid står stabilt (fastgør den f.eks. på arbejdsbænken).

Hold bunden fri for materialerester f.eks. spåner og rester fra savningen.

Benyt ikke savblade, der er beskadiget eller deformert.

Savklinger, som ikke svarer til data i denne brugsanvisning, må ikke anvendes.

Der må kun anvendes værktøj, som opfylder EN 847-1.

Brug ikke savklinger, som er fremstillet af high-speed stål.

Vælg en savklinge, som passer til det emne, der skal skæres over.

Den tilladte hastighed for indsatsværktøjet skal mindst være så høj som den maksimale hastighed, der er angivet på elektrværktøjet. Tilbehør, der drejer hurtigere end tilladt, kan brække og de enkelte dele flyve fra hinanden.

Værktøjerne skal opbevares og transporteres i dertil egnede beholdere;

Brug den medfølgende flange (afbildet i betjeningsvejledningen) til at fastgøre savklingen med.

Anvend ikke kapsaven til overskæring af emner, som ikke står nævnt i betjeningsvejledningen.

Benyt kun kapsaven med en sikkert fungerende og godt vedligeholdt sikkerhedsskærm. Sikkerhedsskærmen skal dreje automatisk tilbage.

Fjern ikke træaffald eller andre dele af arbejdsemner fra saveområdet, når maskinen kører og savhovedet ikke er i hvilestilling.

Pas på ikke at få hånden ind i maskinen.

Maskinens sikkerhedsindretning bør ubetinget benyttes.

Fejl i maskinen, inklusiv beskyttelsesanordning eller savklinger, skal straks meddeles den sikkerhedsansvarlige.

Den mobile beskyttelsesskærm må ikke blokeres i åbnet tilstand.

Lange emner skal støttes af på passende måde.

Tag fat i håndtaget, når du transporterer kapsaven - transportsikringen skal være i indgreb.

Når der udføres koniske skæringer, skæringer i gering eller i blandet gering, tilpas glidehøgheden for at sikre den korrekte afstand til bladet.

Undgå ved en tilpasset fremføringshastighed en overopvarmning af savklingens tænder og ved skæring i plast, at materialet smelter.

TILTÆNKT FORMÅL

Kapsaven kan anvendes til savning af massivt træ, limet træ, trælignende materialer og plastmaterialer.

Arbejdsemner med rundt eller uregelmæssigt tværsnit (f.eks. brænde) må ikke saves, da sådanne emner ikke kan holdes sikkert under savningen. Ved savning på højkant af flade arbejdsemner skal der benyttes et egnet hjælpeanslag for sikker føring.

RESTRISICI

Selv hvis produktet bruges korrekt, kan restresici ikke helt undsluges. Ved brug kan følgende risici opstå, og derfor bør brugeren lægge mærke til det følgende:

- For at undgå høreskader skal eksponeringstiden begrænses, og der skal bruges egnet høreværn.
- Brugeren bør træffe forholdsregler for at reducere virkningerne af vibrationerne og begrænse eksponeringstiden.
- Der skal bruges en støvmaske for at undgå helbredsrisici, der kan opstå ved indånding af savstøv.

BATTERI

Udskiftningsbat terier, der ikke har været brugt i længere tid, efterlades inden brug.

Ved temperaturer over 50°C formindskes batteriets effekt. Undgå direkte sollys og stærk varme.



Dan

Tilslutningskontakterne på oplader og udkiftningsbatterier skal holdes rene.

For at opnå en optimal levetid skal de genopladelige batterier oplades fuldt efter brug.

For at sikre en så lang levetid som muligt skal batterierne tages ud af ladeaggregatet efter opladning.

Skal batterierne opbevares længere end 30 dage: Temperatur ca. 27°C i tørre omgivelser. Opbevares ved ca. 30%-50% af ladetilstanden. Batteri skal genoplades hver 6. måned.

TRANSPORT AF LITHIUM-BATTERIER

Lithium-batterier er omfattet af lovgivningen om transport af farligt gods.

Transporten af disse batterier skal ske under overholdelse af lokale, nationale og internationale regler og bestemmelser.

Forbrugere må transportere disse batterier på veje uden yderligere krav.

Den kommercielle transport af lithium-batterier ved speditjonsfirmaer er omfattet af reglerne for transport af farligt gods. Forberedelsen af forsendelse og transport må kun udføres af tilsvarende træned personer. Den samlede proces skal følges af fagfolk.

Følgende punkter skal overholdes ved transport af batterier:

Sørg for at kontakterne er beskyttet og isoleret for at forhindre kortslutninger. Sørg for at batteripakken ikke kan bevæge sig inden for emballagen. Beskadigede eller lækkende batterier må ikke transporteres. Kontakt dit speditjonsfirma for at få yderligere oplysninger.

OVERBELASTNINGSSIKRING FOR BATTERI

Overbelastes batteriet på grund af meget højt strømforbrug, f.eks. som følge af ekstremt høje drejningsmomenter, pludseligt stop eller kortslutning, vibrerer el-værktøjet i 5 sekunder, ladeindikatoren blinker, og el-værktøjet slukker af sig selv.

For at tænde igen slippes trykknappen, hvorefter du tænder el-værktøjet igen.

Ved ekstreme belastninger bliver batteriet for varmt. I så fald blinker alle lamper på ladeindikatoren, indtil batteriet er kølet af. Når ladeindikatoren går ud, kan arbejdet genoptages.

Sæt batteriet i ladeadapteren for at genoplade det og aktivere det.

VEDLIGEHOLDELSE

Ved arbejde inden i maskinen, bør batteriet tages ud.

Husk at afbryde værktøjet fra strømforsyningen inden montering eller udtagning af savklingen.

Udskift en slidt bordindsats.

Rengør maskinen og beskyttelsesudstyret med en tør klud.

Hold altid maskinens ventilationsåbninger rene.

Brug kun Milwaukee-tilbehør og Milwaukee-reservedele. Komponenter, hvor udskiftningsproceduren ikke er beskrevet, skal skiftes ud hos et Milwaukee-servicested (se brochure garanti/kundeserviceadresser).

Ved opgivelse af type nr. der er angivet på maskinens effektskilt, kan de rekvirere en reservedelstegning, ved henvendelse til: Techtronic Industries GmbH, Max-Eyth-Straße 10, 71364 Winnenden, Germany.

CE-KONFORMITETSERKLÆRING

Vi erklærer som eneansvarlige, at produktet, som beskrives under „Tekniske data“, opfylder alle de relevante bestemmelser i direktiverne

2011/65/EU (RoHS)

2006/42/EF

2014/30/EU

og følgende harmoniserede standarder er blevet anvendt.

EN 62841-1:2015

EN 62841-3-9:2015

EN 55014-1:2006+A1:2009+A2:2011

EN 55014-2:2015

EN 61326-1:2013

EN 50581:2012



Winnenden, 2016-08-19

Alexander Krug / Managing Director

Autoriseret til at udarbejde de tekniske dokumenter.

Techtronic Industries GmbH

Max-Eyth-Straße 10, 71364 Winnenden, Germany

SYMBOLER



VIGTIGT! ADVARSEL! FARE!



Ved arbejde inden i maskinen, bør batteriet tages ud.



Læs brugsanvisningen nøje før ibrugtagning.



Når der arbejdes med maskinen, skal man have beskyttelsesbriller på.



Brug høreværn!



Brug beskyttelseshandsker!



Farligt område! Hold helst hænder, fingre eller arme væk fra dette område.



Udsæt ikke maskinen for regn.



VIGTIGT! Kig ikke ind i lampen, når den er tændt.



Elektrisk udstyr må ikke bortskaffes sammen med det almindelige husholdningsaffald. Elektrisk og elektronisk udstyr skal indsamles særskilt og afleveres hos en genbrugsvirksomhed til en miljømæssig forsvarelig bortskaffelse. Spørg de lokale myndigheder eller din forhandler om genbrugsstationer og indsamlingssteder til sådant affald.



CE-mærke



UkrSEPRO overensstemmelsesmærke.



EurAsian overensstemmelsesmærke.



Tekniske data Kapp-/gjæringsag	M18 FMS254
Produksjonsnummer	4569 52 01... ...000001 - 999999
Tomgangsturtall	4000 min ⁻¹
Spenning vekselbatteri	18 V
Sagblad-ø x hull-ø	254 x 30 mm
Tykkelse på sagbladhus maks.	2 mm
Tykkelse på sagbladtann minimum	2,8 mm
Skjærebredde maks.	
Gjæring 0°/ Helling 0°	91 x 289 mm
Gjæring 45°/ Helling 0°	91 x 205 mm
Gjæring 0°/ Helling 45°	51 x 289 mm
Gjæring 45°/ Helling 45°	51 x 205 mm
Vekt i henhold til EPTA-Prosedyren 01/2003 (Li-Ion 5,0 Ah)	20,0 kg
Støyinformasjon Måleverdier fastslått i samsvar med EN 62841. Det typiske A-bedømte støynivået for maskinen er: Lydtrykknivå (Usikkerhet K=3dB(A)) Lydeffektnivå (Usikkerhet K=3dB(A)) Bruk hørselsvern!	90,5 db(A) 101,5 db (A)



Nor

⚠ ADVARSEL Les alle sikkerhetsanvisninger, instruksjer, bildeforklaringer og data som fulgte med maskinen. Feil ved overholdelsen av advarene og nedenstående anvisninger kan medføre elektriske støt, brann og/eller alvorlige skader.

Ta godt vare på alle advarene og informasjonene.

⚠ SIKKERHETSREGLER FOR GJÆRINGSSAGER

a) Gjæringsagger skal brukes til å skjære tre eller trelignende produkter, og kan ikke brukes med slipende kutteskiver for å skjære jernholdig materiale som f.eks. staver, stenger, bolter osv. Slipestøv får bevegelige deler så som det nedre vernet til å kjøre seg fast. Gnister fra slipeskjæring vil brenne det nedre vernet, breddeinnsatsen og andre plastdeler.

b) Bruk klemmer for å støtte arbeidsstykket når det er mulig. Hvis du støtter arbeidsstykket med hånden, må du alltid holde hånden minst 100 mm fra begge sider av sagbladet. Ikke bruk denne sagen til å kutte stykker som er for små til å klemmes fast eller holdes med hånden. Hvis du plasserer hånden din for nær sagbladet, øker faren for at du kommer i kontakt med bladet og skader deg.

c) Arbeidsstykket må være i ro og festet eller holdt mot både gjerdet og bordet. Ikke mat arbeidsstykket inn i bladet eller skjær "med fri hånd" på noen måte. Uhemmede eller bevegelige arbeidsstykker kan bli kastet i høye hastigheter, og forårsake skade.

d) Skyv sagen gjennom arbeidsstykket. Ikke dra sagen gjennom arbeidsstykket. For å gjøre et kutt, hev sageshodet og trekk det ut over arbeidsstykket uten å skjære, start motoren, trykk sageshodet ned og skyv sagen gjennom arbeidsstykket. Saging med draslaget vil sannsynligvis få sagbladet til å gå på toppen av arbeidsstykket og kaste bladenheten hardt mot brukeren.

e) Aldri kryss hånden din over den tiltenkte skjærelinjen, verken foran eller bak sagbladet. Å støtte arbeidsstykket "på tvers", dvs. å holde arbeidsstykket til høyre for sagbladet med venstre hånd eller vice versa er svært farlig.

f) Ikke nå bak gjerdet med begge hender nærmere enn 100 mm fra hver side av sagbladet for å fjerne trerester, eller av andre grunner mens bladet roterer. Du er kanskje ikke klar over hvor nært det roterende sagbladet er hånden din, og at du kan bli alvorlig skadet.

g) Inspiser arbeidsstykket før du skjærer. Hvis arbeidsstykket er bøyd eller skjevt, fest det med den utvendige bøyde flaten mot gjerdet. Vær alltid sikker på at det ikke er noen avstand mellom arbeidsstykket, gjerdet og bordet langs skjærelinjen. Bøyde eller skjeve arbeidsstykker kan vrís eller forskyves og kan binde det roterende sagbladet mens det skjærer. Det skal ikke være spiker eller fremmedlegemer i arbeidsstykket.

h) Ikke bruk sagen før alle verktøy, trerester osv. er fjernet fra bordet, bortsett fra arbeidsstykket. Smårusk eller løse trebiter eller andre gjenstander som kommer i kontakt med det roterende bladet kan bli kastet i høy hastighet.

i) Skjær bare ett arbeidsstykke om gangen. Flere stablede arbeidsstykker kan ikke festes eller avstives tilstrekkelig og kan binde seg fast i bladet eller forskyve seg under skjæring.

j) Sørg for at gjæringsagen er montert eller plassert på et plant, fast underlag før bruk. Et plant og fast underlag reduserer risikoen for at gjæringsagen blir ustabil.

k) Planlegg arbeidet. Hver gang du endrer skråsnitts- eller gjæringsvinkelinnstillingen, sørg for at det justerbare gjerdet er innstilt riktig for å støtte arbeidsstykket og ikke forstyrrer med bladet eller vernesystemet. Uten å skru verktøyet "PÅ" og uten arbeidsstykke på bordet, beveg sagbladet gjennom en fullstendig simulert skjæring for å sørge for at det ikke blir noen forstyrrelser eller fare for å skjære gjerdet.

l) Sørg for tilstrekkelig støtte så som bordutvidelser, saghester osv. for et arbeidsstykke som er bredere eller lengre enn bordplaten. Arbeidsstykker som er lengre eller bredere enn bordet gjæringsagen står på kan velte om de ikke er godt festet. Dersom det avskårde stykket eller arbeidsstykket velter, kan det løfte det nedre vernet eller kastes av det roterende bladet.

m) Ikke bruk en annen person som en erstatning for en bordforlengelse eller som ekstra støtte. Hvis arbeidsstykket er ustabil støttet kan det få bladet til å binde seg eller arbeidsstykket til å forskyves under skjæringen, og trekke deg og hjelperen inn i det roterende bladet.

n) Det avskårede stykket må ikke kjøre seg fast eller presses på noen måte mot det roterende sagbladet. Hvis begrenset, dvs. ved hjelp av lengdestopper, kan det avskårede stykket kiles mot bladet og kastes i voldsom fart.

o) Bruk alltid en klemme eller et innslag laget for å støtte runde materialer godt, så som stenger eller rør. Stenger har en tendens til å rulle når de skjæres, slik at bladet "biter" og trekker arbeidet med hånden din inn i bladet.

p) La bladet oppnå full hastighet før det kommer i kontakt med arbeidsstykket. Dette vil redusere risikoen for at arbeidsstykket blir kastet.

q) Hvis arbeidsstykket eller bladet kjører seg fast, skru av gjæringsagen. Vent til de bevegelige delene slutter å bevege seg, og trekk ut pluggen fra strømkilden og/eller ta ut batteripakken. Fjern deretter det fastkjørte materialet. Å sage med et fastkjørt arbeidsstykke kan føre til lavere kontroll eller skade på gjæringsagen.

r) Etter å ha avsluttet skjæringen, slipp bryteren, hold sagedhodet ned og vent på at bladet stopper før du fjerner det avskårede stykket. Det er farlig å ta hånden nær det saktegående bladet.

s) Hold i håndtaket når du foretar en ufullstendig skjæring eller når du slipper bryteren før sagedhodet er helt i den nedre posisjonen. Å bremse sagedeffekten kan få sagedhodet til plutselig å trekkes nedover, og forårsake risiko for skade.

Ytterlige sikkerhets- og arbeidsinstruksjoner

Bruk hørselsvern. Støy kan føre til tap av hørselen.

Bruk alltid vernebrille når du arbeider med maskinen. Det anbefales å bruke arbeidshansker, faste og sklisikre sko og forkle.

Støv som oppstår under arbeidet er ofte helsefarlig og bør ikke komme inn i kroppen. Bruk støvavsug og i tillegg egnete støvbeskyttelsesmaske. Fjern oppsamlet støv grundig, f.eks. oppsuging.

Koble sagen til en støvsuger når det sages i tre.

Bruk vernehansker!

Det anbefales å lese bruksanvisningen omhyggelig og bli instruert i den praktiske håndteringen før apparatet tas i bruk første gang.

Kontroller at maskinen alltid står stabil (f. eks. at den er festet på arbeidsbenken).

Gulver skal være fritt for spon og sagerester.

Bruk ingen sageblad som er skadet eller deformert

Ikke bruk sagblad som ikke er i tråd med egenskapene i denne bruksanvisningen.

Bruk bare verktøy som er i samsvar med EN 847-1.

Bruk ingen sageblad laget av hurtigstål.

Bruk sagblad som er egnet for materialet som skal sages.

Det tillatte omdreiningsstallet til elektroverktøyet må være minst så høyt som det maksimale omdreiningsstallet som er oppgitt på elektroverktøyet. Tilbehør som dreier seg raskere enn tillatt kan brenne og slynge rundt.

Verktøyene må oppbevares og transporteres i egnet beholder;

Bruk bare de vedlagte flensene og de flensene som det er bilde av i bruksanvisningen for å feste sagedbladet.

Bruk kappsagen aldri for saging av andre materialer enn de som er oppgitt i bruksanvisningen.

Bruk kappsagen bare med sikker funksjonerende og godt vedlikeholdt beskyttelseshette. Beskyttelseshetten skal automatisk trekke seg tilbake.

Ikke fjern sagerester eller andre deler av arbeidsstykker fra sagens område mens maskinen går og sagedhode ikke befinner seg i hvilestilling.

Ikke grip inn i fareområdet mens maskinen er i gang.

Bruk alltid maskinens beskyttelsesinnretninger.

Feil i maskinen, også innebefattet verneinnretningen eller sagedbladene, skal med en gang de oppdages, meldes til personen som er ansvarlig for sikkerheten.

Det bevegelige vernedekselet må ikke klemmes fast i åpent tilstand.

Langt materiale skal støttet på egnet måte.

Transporter kappsagen bare når transportsikringen på håndtaket griper riktig inn i sikringen.

Når du kutter med gjær-, kapp- eller kombisag, juster sleidesikringen for å sikre riktig avstand til bladet.

Unngå, ved bruk av en tilpasset starthastighet, overoppheting av sagedbladets tenner og ved kutting av plastikk at materialet smelter.

FORMÅLSMESSIG BRUK

Kappsagen er egnet for sagen av massivt tre, sammenlimt tre, tre lignende materiale og kunststoff.

Arbeidsstykker med runde eller uregelmessig tverrsnitt (f.eks. ved) skal ikke sages, fordi disse ikke kan holdes sikkert ved sagingen. Ved saging av flate arbeidsstykker på høykant skal det brukes et egnet hjelpedskap for sikker føring av arbeidsstykket.

RESTFARER

Selv ved sakkynndig bruk av produktet kan restfarer ikke helt utelukkes. Ved bruk kan følgende risikoer oppstå og derfor må brukeren ta hensyn til følgende:

- For å unngå hørselsskader må eksplosjonstiden innskrenkes og det skal brukes egnet hørselsvern.
- Brukeren skal ta forholdsregler for å minimere virkningen av vibrasjonene og for å begrense eksplosjonstiden.
- Det skal brukes åndedrettsvern for å unngå sunnheitsrisikoer som kan oppstå ved å puste inn sagstøv.

BATTERIER

Vekselbatterier som ikke er brukt over lengre tid skal etterlades for bruk.

En temperatur over 50°C reduserer vekselbatteriets kapasitet. Unngå oppvarming i sol eller ved varmeovner (fyring) i lengre tid.

Hold tilkoplingskontaktene på lader og vekselbatteri rene.

For optimal holdbarhet må batteriene lades opp helt etter bruk.

For å sikre en lengst mulig brukstid av batteriene skal disse etter oppladning taes ut av laderen.

Ved lagring av batteriene lengre enn 30 dager: Lagre batteriet tørt ved ca. 27°C. Lagre batteriet ved en oppladningstilstand på ca. 30%-50%. Lade opp batteriet igjen etter 6 måneder.

TRANSPORT AV LITIUM-ION-BATTERI

Litium-ion-batterier faller under de lovfestede forskriftene om transport av farlig gods.



Nor

Transporten av disse batteriene må rette seg etter lokale, nasjonale og internasjonale forskrifter og bestemmelser.

Forbruker har lov å transportere disse batteriene på gaten uten reglementering.

Den kommersielle transport av Litium-ion-batterier av spedisjonsfirma faller under bestemmelsene om transport av farlig gods. Forberedningene av forsendelsen og transport skal utelukkende gjennomføres av personer som har blitt skolert til dette. Hele prosessen skal følges opp av fagfolk.

Følgende punkter skal tas hensyn til ved transport:

Kontroller at kontaktene er beskyttet og isolert for å unngå kortslutninger. Pass på at batteripakken i forpakningen ikke kan skli fram og tilbake. Skadede eller batterier som lekker er det ikke lov å transportere. Ta kontakt med spedisjonsfirma for ytterlige henvisninger.

Alexander Krug / Managing Director
Autorisert til å utarbeide den tekniske dokumentasjonen
Techtronic Industries GmbH
Max-Eyth-Straße 10, 71364 Winnenden, Germany

SYMBOLER



OBS! ADVARSEL! FARE!



Ta ut vekselbatteriet før du arbeider på maskinen



Les nøye gjennom bruksanvisningen før maskinen tas i bruk.



Bruk alltid vernebrille når du arbeider med maskinen.



Bruk hørselsvern!



Bruk vernehansker!



Fareområde! Hold helst hender, fingre eller armer borte fra dette området.



Maskinen skal ikke utsettes for regn.



OBS! Se aldri i lampen når den er slått på.



Elektriske apparat skal ikke kastes sammen med vanlig husholdningsavfall. Elektriske og elektroniske apparat skal samles separat og leveres til miljøvennlig deponering til en avfall bedrift. Informer deg hos myndighetene på stedet eller hos din fagforhandler hvor det finnes recycling bedrifter oppsamlingssteder.



CE-tegn



UkrSEPRO Konformitetstegn.



EurAsian Konformitetstegn.



Nor

OVERBELASTNINGSVERN FOR OPPLADBARE BATTERIER

Ved overbelastning av det oppladbare batteriet p.g.a. svært høyt strømforbruk; f.eks. ekstrem høye dreiemoment, plutselig stopp eller kortslutning, vibrert elektroverktøyet 5 sekunder, displayet for opplading blinker og elektroverktøyet utkobler seg automatisk. For gjeninnkobling, slipp løs bryteren og slå så på igjen. Ved ekstreme belastninger opphører det oppladbare batteriet seg for sterkt. I slike tilfeller blinker alle lampene på displayet til batteriet er avkjølt. Når lampene har sluttet å blinke, kan man fortsette å arbeide.

Sett batteriet da i laderen for å få det oppladet og aktivert igjen

VEDLIKEHOLD

Ta ut vekselbatteriet før du arbeider på maskinen

Vær sikker på at støpslet er trukket ut av strømkontakten før det demonteres eller monteres sagblad.

Skift slitte bordinnlegg

Rengjør apparatet og verneinnretningen med en tørr klut.

Hold alltid luftenåpningene på maskinen rene.

Bruk kun Milwaukee tilbehør og Milwaukee reservedeler. Komponenter der utskifting ikke er beskrevet skal skiftes ut hos Milwaukee kundeservice (se brosjyre garanti/kundeserviceadresser).

Ved behov kan du be om en eksplosjonstegning av apparatet hos din kundeservice eller direkte hos Techtronic Industries GmbH, Max-Eyth-Straße 10, 71364 Winnenden, Germany. Oppgi maskintype og det nummeret på typeskiltet.

CE-SAMSVARERKLÆRING

Vi erklærer i alene ansvar at produktet beskrevet i „Teknisk data“ overensstemmer med alle relevante forskrifter til Eu direktiv

2011/65/EU (RoHS)

2006/42/EC

2014/30/EU

og de følgende harmoniserte normative dokumentene. fyrstikker

EN 62841-1:2015

EN 62841-3-9:2015

EN 55014-1:2006+A1:2009+A2:2011

EN 55014-2:2015

EN 61326-1:2013

EN 50581:2012



Winnenden, 2016-08-19

Norsk

Tekniska data Kap-/geringsåg	M18 FMS254
Produktionsnummer	4569 52 01... ...000001 - 999999
Tomgångsvarvtal, obelastad	4000 min ⁻¹
Batterispänning	18 V
Sågklinga- \emptyset x håll- \emptyset	254 x 30 mm
Tjockleken på sågbladens kropp max.	2 mm
Tjockleken på sågbladens tänder min.	2,8 mm
Skärbredd max.	
Gering 0°/ Lutning 0°	91 x 289 mm
Gering 45°/ Lutning 0°	91 x 205 mm
Gering 0°/ Lutning 45°	51 x 289 mm
Gering 45°/ Lutning 45°	51 x 205 mm
Vikt enligt EPTA 01/2003 (Li-Ion 5,0 Ah)	20,0 kg
Bullerinformation	
Mätvärdena har tagits fram baserade på EN 62841. A-värdet av maskinens ljudnivå utgör:	
Ljudtrycksnivå (Onoggrannhet K=3dB(A))	90,5 db(A)
Ljudeffektsnivå (Onoggrannhet K=3dB(A))	101,5 db (A)
Använd hörselskydd!	



⚠️ WARNING Läs alla säkerhetsanvisningar, instruktioner, beskrivningar och uppgifter som du får tillsammans med apparaten. Fel som uppstår till följd av att anvisningarna nedan inte följts kan orsaka elstöt, brand och/eller allvarliga kroppsskador. Förvara alla varningar och anvisningar för framtida bruk.

⚠️ SÄKERHETSANVISNINGAR FÖR GERINGSÅGAR

- a) Geringssågar är avsedda för att skära trä eller träliknande produkter. De kan inte användas med kapskivor för att skära järnmaterial som till exempel stavar, stänger, bultar osv. Slipdamm gör att rörliga delar, som till exempel det nedre skyddet, låser sig. Gnistor från slipande skärning bränner sönder det nedre skyddet, sågsparinsatsen och andra plastdelar.
- b) Använd alltid när det är möjligt skruvvingar för att hålla fast arbetsstycket. Om du håller fast arbetsstycket med handen, måste du alltid hålla din hand på minst 100 mm avstånd från endera sidan av sågbladet. Använd inte den här sågen för att skära bitar som är för små för att spännas fast eller hållas fast med handen på ett säkert sätt. Om din hand är placerad för nära sågbladet, finns en ökad risk att du skadar dig genom kontakt med sågbladet.
- c) Arbetsstycket måste vara fastspänt så att det inte kan röra sig eller hållas både mot anhället och bordet. Du får inte på något sätt mata in arbetsstycket i sågbladet eller skära "på fri hand". Arbetsstycken som sitter löst eller rör på sig kan slungas iväg i hög hastighet och orsaka skada.
- d) Skjut sågen genom arbetsstycket. Dra inte sågen genom arbetsstycket. För att göra ett snitt lyfter du upp såghuvudet och drar det över arbetsstycket utan att skära. Sedan startar du motorn, trycker ner såghuvudet och skjuter sågen genom arbetsstycket. Vid skärning i dragriktning finns risk att sågbladet klättrar upp på arbetsstycket och sågbladenshållningen våldsamt slungas mot operatören.
- e) Sträck aldrig handen tvärs över den avsedda snittlinjen, varken framför eller bakom sågbladet. Att stödja arbetsstycket med "korsade händer", dvs. att hålla fast arbetsstycket med

vänster hand på höger sida av sågbladet eller tvärtom, är väldigt farligt.

- f) Sträck inte in någondera handen bakom anhället medan sågbladet roterar, t.ex. för att ta bort träspån eller av någon annan anledning. Låt inte handen komma närmare än 100 mm från sågbladet på någondera sidan. Det roterande sågbladets närhet till din hand är kanske inte uppenbar, och du kan skadas allvarligt.
- g) Granska ditt arbetsstycke före skärningen. Om arbetsstycket är böjt eller skevt, ska du spänna fast det med den utåtböjda sidan mot anhället. Förvissa dig alltid om att det inte finns någon spalt mellan arbetsstycket, anhället och bordet längs snittlinjen. Böjda eller skeva arbetsstycken kan vrida eller flytta sig och kärva mot det roterande sågbladet under skärningen. Det får inte finnas några spikar eller främmande föremål i arbetsstycket.
- h) Använd inte sågen förrän bordet är fritt från alla verktyg, träspån osv. Endast arbetsstycket får finnas på bordet. Smått skräp, lösa träbitar eller andra föremål som kommer i kontakt med det roterande sågbladet, kan slungas iväg med hög hastighet.
- i) Skär endast ett arbetsstycke i taget. Flera arbetsstycken som har staplats på varandra, kan inte spännas fast eller bindas ihop på ett lämpligt sätt och kan kärva mot sågbladet eller flytta sig under skärningen.
- j) Säkerställ att geringssågen är monterad eller placerad på en jämn och fast arbetsyta innan du använder den. En jämn och fast arbetsyta minskar risken för att geringssågen blir instabil.
- k) Planera ditt arbete. Varje gång du ändrar fas- eller geringsvinkeln måste du se till att det justerbara anhället är korrekt inställt, så att det stöder arbetsstycket och inte är i vägen för sågbladet eller skyddssystemet. För att säkerställa att ingenting är i vägen och att det inte finns någon risk för att skära i anhället, ska du flytta sågbladet längs hela det simulerade snittet utan att slå på verktyget och utan arbetsstycke på bordet.

l) Ordna med lämpligt stöd, som till exempel bordsförlängningar, sågbockar osv., för arbetsstycken som är bredare eller längre än bordskivan. Arbetsstycken som är bredare eller längre än geringssågbordet kan tippa över om de inte har ett säkert stöd. Om det avkapade stycket eller arbetsstycket tippar över, kan det lyfta upp det nedre skyddet eller slungas iväg av det roterande sågbladet.

m) Använd inte en annan person som ersättning för en bordsförlängning eller som ytterligare stöd. Om arbetsstyckets stöd är instabilt, kan sågbladet kärva eller arbetsstycket flytta sig under skärningen och dra in dig och medhjälparen i det roterande sågbladet.

n) Den avkapade biten får inte på något sätt fastna eller tryckas mot det roterande sågbladet. Om utrymmet är begränsat, dvs. om längdanslag används, kan den avkapade biten kila fast mot sågbladet och slungas iväg våldsamt.

o) Använd alltid en skruvtvning eller fixtur som är utformad för att på rätt sätt hålla fast runt material, som till exempel stänger eller rör. Stänger har en tendens att rulla när de kapas, vilket gör att sågbladet "biter sig fast" och drar in arbetsstycket med din hand i sågbladet.

p) Låt sågbladet nå full hastighet innan det kommer i kontakt med arbetsstycket. Det minskar risken för att arbetsstycket slungas iväg.

q) Om arbetsstycket eller sågbladet fastnar, ska du stänga av geringssågen. Vänta tills alla rörliga delar har stannat och dra ut stickproppen ur kraftkällan och/eller ta ut batteripaketet. Ta sedan loss det fastklämda materialet.

Att fortsätta såga med ett arbetsstycke som har fastnat kan leda till förlust av kontrollen eller skada på geringssågen.

r) När du är klar med snittet släpper du strömbrytaren, håller ner såghuvudet och väntar tills sågbladet har stannat, innan du tar bort den avkapade biten. Det är farligt att komma nära sågbladet med handen så länge det fortfarande snurrar.

s) Håll stadigt i handtaget om du gör ett ofullständigt snitt eller om du släpper strömbrytaren innan såghuvudet är helt i den nedre positionen. Sågens bromsning kan göra att såghuvudet plötsligt dras nedåt, vilket orsakar risk för skada.

Övriga säkerhets- och användningsinstruktioner

Bär hörselskydd. Buller kan leda till att du förlorar hörseln.

Använd alltid skyddsglasögon, skyddshandskar och hörselskydd. Dammet som uppkommer vid arbeten med denna maskin kan vara skadligt för hälsan om de når kroppen. Använd ett utsugningssystem och bär skyddsmask. Avlägsna kvarblivande damm med t.ex. en dammsugare.

Anslut sågen till en dammsugning när du sågar trä.

Bär skyddshandskar!

Vi rekommenderar att inför första användningen läsa bruksanvisningen och sätta sig in i redskapets funktions sätt.

Se till att maskinen alltid står stadigt (t.ex. genom att fästa den på arbetsbänken).

Se till att golvet alltid är fritt från materialrester t.ex. spån och sågrester.

Använd inga sågblad som har tagit skada eller är defomerade.

Sågklinga, vars värden inte överensstämmer med data i denna bruksanvisning, får ej användas.

Endast verktyg som uppfyller EN 847-1 får användas.

Använd inga sågklingor som är tillverkade av high-speed stål.

Välj en sågklinga som lämpar sig för materialet som ska sågas.

Det tillåtna varvtalet för insatsverktyget måste minst vara så högt som angivet högsta varvtalet på elektroverktyget. Tillbehör som roterar snabbare än tillåtet, kan gå sönder och flyga omkring.

Verktygen måste transporteras och förvaras i en därtill lämplig behållare;

Använd endast de flänsar som bifogas och som visas i bruksanvisningen för att fästa sågklingan.

Använd sågen aldrig för andra material än de som anges i bruksanvisningen.

Använd kapsågen endast om skyddshuven fungerar felfritt och om den har skötts på föreskrivet sätt. Skyddshuven måste svänga tillbaka automatiskt.

Avlägsna ej några sågningsrester eller andra delar av arbetsstycket från sågens arbetsområde, när maskinen är i gång och såghuvudet inte är i viloläge.

Lakttag största försiktighet när maskinen är igång.

Använd alltid maskinens skyddsanordningar.

Fel på maskinen, inklusive skyddsanordningen, ska omgående meddelas säkerhetsansvarig.

Sågens pendelskyddsskåpa får ej fastläsas.

Stötta långa arbetsstycken på lämpligt sätt.

Transportera kapsågen endast med hjälp av handtaget - transportsäkring måste ha gått i lås.

Justera styrskenan när du utför geringssnitt, avfasningsnitt eller sammansatta geringssnitt för att försäkra dig om korrekt säkerhetsmarginal från klingan.

Se till att matningshastigheten inte är för hög för att förhindra att sågbladets kuggar blir för varma och att materialet smälter när du sågar i plast.



ANVÄND MASKINEN ENLIGT ANVISNINGARNA

Kapsågen kan användas för att såga massivt trä, limmat trä, träliknande material och plast.

Arbetsstycken med runt eller oregelbundet tvärsnitt (t ex ved) får ej sågas, eftersom dessa inte kan fixeras på ett säkert sätt. För att såga plana arbetsstycken vertikalt, skall användas lämpligt stödanslag för säker styrning av arbetsstycket.

KVARSTÅENDE RISKER

Även om produkten används på ändamålsenligt och föreskrivet sätt kan kvarstående risker aldrig helt uteslutas. Vid användningen finns nedan nämnda risker varför du som användare vid sidan om alla andra föreskrifter också ska beaktas följande:

- Använd lämpligt hörselskydd och begränsa exponeringstiden för att undvika hörselskador.
- Vidtag lämpliga åtgärder för att reducera följderna av vibrationer och begränsa exponeringstiden.
- Använd en andningskyddsmask för att förhindra att du andas in sågdamn som kan ge hälsoskador.

BATTERIER

Batteri om ej använts på länge måste laddas före nytt bruk.

En temperatur över 50°C reducerar batteriets effekt. Undvik längre uppvärmning tex i solen eller nära ett element.

Se till att anslutningskontaktarna i laddaren och på batteriet är rena.

För att batterierna ska få lång livslängd ska de laddas fulla efter användning.

För att få en så lång livslängd som möjligt bör laddningsbara batterier avlägsnas från laddaren när de är laddade.

Om laddningsbara batterier lagras längre än 30 dagar: Lagra batteriet torrt och vid ca 27°C. Lagra batteriet vid ca 30%-50% av laddningskapaciteten. Ladda batterierna på nytt var 6:e månad.

TRANSPORTERA LITIJON-BATTERIER

För litiumjon-batterier gäller de lagliga föreskrifterna för transport av farligt gods på väg.

Därför får dessa batterier endast transporteras enligt gällande lokala, nationella och internationella föreskrifter och bestämmelser.

Konsumenter får transportera dessa batterier på allmän väg utan att behöva beakta särskilda föreskrifter.

För kommersiell transport av litiumjon-batterier genom en speditorsfirma gäller emellertid bestämmelserna för transport av farligt gods på väg. Endast personal som känner till alla tillämpliga föreskrifter och bestämmelser får förbereda och genomföra transporten. Hela processen ska följas upp på fackmässigt sätt.

Följande ska beaktas i samband med transporten av batterier:

Säkerställ att alla kontakter är skyddade och isolerade för att undvika kortslutning. Se till att batteripacken inte kan glida fram och tillbaka i förpackningen. Transportera aldrig batterier som läcker, har runnit ut eller är skadade. För mer information vänligen kontakta din speditorsfirma.

BATTERI-ÖVERBELASTNINGSSKYDD

Om det laddningsbara batteriet överbelastas genom en mycket hög strömförbrukning, t.ex. extremt höga vridmoment, ett plötsligt stopp eller en kortslutning, så vibrerar elverktyget i 5 sekunder, laddningsindikeringen blinkar och elverktyget frångöms automatiskt.

För att sedan sätta på elverktyget igen släpper du tryckbrytaren och tillkopplar sedan verktyget igen.

Vid en extrem belastning blir det laddningsbara batteriet för varmt. I detta fall blinkar alla lampor på laddningsindikeringen så länge tills batteriet har svalnat. När laddningsindikeringen har slocknat kan du fortsätta med arbetet.

Sätt då batteriet i laddaren för att ladda upp och aktivera det igen.

SKÖTSEL

Drag ur batteripaket innan arbete utföres på maskinen.

Koppla alltid bort verktyget från eluttaget innan du sätter dit eller tar bort sägklingan.

Byt ut bordsinlägget om det är slitet.

Rengör både verktyget och skyddsanordningen med en torr trasa.

Se till att motorhöljets luftslitsar är rena.

Använd endast Milwaukee-tillbehör och Milwaukee-reservdelar. Komponenter, för vilka inget byte beskrivs, skall bytas ut hos Milwaukee-kundtjänst (se broschyren garanti-/kundtjänstadresser).

Vid behov av sprängskiss, kan en sådan, genom att uppe maskinens art. nr. (som finns på typskylten) erhållas från: Techtronic Industries GmbH, Max-Eyth-Straße 10, 71364 Winnenden, Germany.

CE-FÖRSÄKRAN

Vi tar på vårt ansvar att produkten som har beskrivits under Tekniska data uppfyller alla relevanta villkor i direktiven

2011/65/EU (RoHS)

2006/42/EG

2014/30/EU

samt att följande harmoniserade standarder har använts.

EN 62841-1:2015

EN 62841-3-9:2015

EN 55014-1:2006+A1:2009+A2:2011

EN 55014-2:2015

EN 61326-1:2013

EN 50581:2012



Winnenden, 2016-08-19

Alexander Krug / Managing Director

Befullmäktigad att sammanställa teknisk dokumentation.

Techtronic Industries GmbH

Max-Eyth-Straße 10, 71364 Winnenden, Germany



SYMBOLER



OBSERVERA! VARNING! FARA!



Drag ur batteripaket innan arbete utföres på maskinen.



Läs instruktionen noga innan du startar maskinen.



Använd alltid skyddsglasögon.



Använd hörselskydd!



Bär skyddshandskar!



Riskområde! Håll händerna, fingrarna och armarna på betryggande avstånd från detta område.



Utsätt sågen inte för regn.



OBSERVERA! Titta aldrig direkt in i den tända lampan.



Elektriska maskiner och elverktyg som kasseras får inte slängas tillsammans med de vanliga hushållssoporna. Elektriska maskiner och verktyg samt elektronisk utrustning som kasseras ska samlas separat och lämnas till en avfallsstation för miljövänlig avfallshantering. Kontakta den lokala myndigheten respektive kommunen eller fråga återförsäljare var det finns speciella avfallsstationer för elskrot.



CE-symbol



UkrSEPRO överensstämmelsesymbol.



EurAsian överensstämmelsesymbol.



Tekniset arvot Katkaisu- ja jiirisaha	M18 FMS254
Tuotantonumero	4569 52 01... ...000001 - 999999
Kuormittamaton kierroslukku	4000 min ⁻¹
Jännite vaihtoakku	18 V
Sahanterän ø x reiän ø	254 x 30 mm
Sahanterän paksuus maks.	2 mm
Sahanterän hammastuksen paksuus min.	2,8 mm
Jyrsintäleveys maks.	
Viistekulma 0°/ Kallistus 0°	91 x 289 mm
Viistekulma 45°/ Kallistus 0°	91 x 205 mm
Viistekulma 0°/ Kallistus 45°	51 x 289 mm
Viistekulma 45°/ Kallistus 45°	51 x 205 mm
Paino EPTA-menetellyn 01/2003 mukaan (Li-lon 5,0 Ah)	20,0 kg
Melunpäästötiedot	
Mitta-arvot määritetty EN 62841 mukaan. Koneen tyypillinen A-luokitettu melutaso:	
Melutaso (Epävarmuus K=3dB(A))	90,5 dB(A)
Äänenvoimakkuus (Epävarmuus K=3dB(A))	101,5 dB (A)
Käytä kuulosuojaimia!	

VAROITUS Lue kaikki varoimenpiteet, ohjeet, kuvalliset esitykset ja tiedot, jotka toimitetaan laitteen mukana. Turvallisuusohjeiden noudattamisen laiminlyönti saattaa johtaa sähköiskuun, tulipaloon ja/tai vakavaan loukkaantumiseen. Säilytä kaikki turvallisuus- ja muut ohjeet tulevaisuutta varten.

JIIRISAHAN KÄYTTÖOHJEET

a) Jiirisaha on tarkoitettu puun ja puun kaltaisten materiaalien leikkaamiseen, eikä jiirisahaan tule lisätä hankaavia teriä rautapitoisten materiaalien, kuten pulttien, tankojen, harkkojen ym. hiomista varten. Hiomisesta syntyvä pöly aiheuttaa liikkuvien osien, kuten alasuojan jumittumisen. Hiomisen yhteydessä syntyneet kipinät polttavat alasuojan, tukilevyt ja muut muoviosat.

b) Käytä ruuvipuristinta tukemaan työstettävää osaa aina kun se on mahdollista. Mikäli työstettävää osaa pidetään kädessä, kädet on pidettävä aina vähintään 10cm päässä sahan terästä. Älä työstä tällä sahallä osia, jotka ovat liian pieniä ruuvipuristimeen tai kädessä pitämiseen. Jos kätesi ovat liian lähellä sahan terää, kätesi saattaa osua terään ja tapahtumariski kasvaa.

c) Työstettävän osan tulee aina olla hyvin paikoillaan ja pultattuna tai tuettuna suojusta ja työpöytää vasten. Älä koskaan työnnä työstettävää osaa huolimattomasti terää kohti tai ilman että työstetty osa on kunnolla tuettu. Huonosti kiinnitetyt tai irtonaiset osat saattavat sinkoutua terästä ja aiheuttaa vahinkoja.

d) Työnnä saha työstettävän osan läpi. Älä vedä sahaa työstettävän osan läpi. Nosta paikoillaan olevaa sahan terää ja vedä se työstettävän osan yli. Kytke laite päälle, paina sahanterä alas ja työnnä se työstettävän osan yli. Jos yrität vetää sahaa työstettävän osan yli, sahanterä saattaa hypätä työstettävän osan päälle ja heittää terän voimakkaasti kohti laitteen runkoa.

e) Älä koskaan aseta käsiäsi leikkausviivalle sahanterän eteen tai taakse. Työstettävän osan käsin tukeminen niin, että

kätesi ovat ristissä, eli pidät työstettävää osaa vasemmalla kädellä sahan oikealla puolella tai toisin päin, on erittäin vaarallista.

f) Älä työnnä käsiäsi suojuksen yli 10 cm lähemmäksi terää poistaaksesi leikkausjätettä tai minkään muunkaan syyn takia, kunnes terä on täysin pysähtynyt. Et välttämättä huomaa kuinka lähellä kätesi ovat sahanterää ja saatat loukkaantua pahasti.

g) Tarkasta työstettävä osa ennen leikkaamista. Jos työstettävä osa on vino tai kiero, ruuvaa se niin, että sen kumara osa on suojusta vasten. Varmista aina, että työstettävän osan leikkauslinja on kiinni suojuksessa ja leikkaustasossa. Vinot tai kierot osat saattavat pyöriä tai liikkua, joka saattaa johtaa osan juuttumiseen sahanterään leikkaamisen aikana.

h) Älä käytä sahaa ennen kuin olet siivonnut pöydältä kaikki muut työkalut, puuosat ym. työstettävää osaa lukuun ottamatta. Jos pienet roskat, puupalat tai muut esineet joutuvat kosketuksiin liikkuvan terän kanssa, ne saattavat sinkoutua voimakkaasti terästä.

i) Leikkaa aina vain yksi osa kerrallaan. Sahaa ei saa käyttää useamman osan leikkaamiseen kerralla, koska useampaa osaa ei saa kiinnitettyä kunnolla paikoilleen ja tämä saattaa johtaa terän jumittumiseen tai väntymiseen leikkaamisen aikana.

j) Varmista ennen käyttöä, että jiirisaha on kiinnitetty tasaiselle ja tukevalle alustalle. Tasaisen ja tukevan alustan avulla valmistetaan, että jiirisaha on tukevasti paikoillaan.

k) Suunnittele leikkausprosessi huolellisesti. Aina, kun muutat terän kulmaa tai linjaa varmista, että muunneltava suojus on oikealla kohdalla ja tukee työstettävää osaa, muttei häiritse terää tai suojusjärjestelmää. Ennen kuin käännät laitteen päälle ja asetat työstettävän osan leikkaustasolle, liikuta sahanterää leikkausurassa varmistaaksesi, ettei terän tiellä ole esteitä, eikä se osu suojukseen.

l) Mikäli työstettävä osa on suurempi kuin leikkaustaso, tue työstettävää osaa esimerkiksi jatkettavan pöydän, sahapukin ym. avulla. Työstettävät osat, jotka ovat suurempia



Suo

kuin leikkaustaso saattavat kaatua, ellei niitä ole asianmukaisesti tuettu. Jos leikattu pala tai työstettävä osa kaatuu, se saattaa irrottaa alemman suojuksen tai se saattaa sinkoutua liikkuvasta terästä.

m) Älä pyydä tukialustan sijaan toista henkilöä pitämään työstettävää osaa paikallaan tai tukemaan sitä. Jos työstettävää osaa ei tueta riittävästi hyvin, sahanterä saattaa jumittua tai työstettävä osa saattaa liikkua leikkaamisen aikana ja vetää sinua ja osaa kannattelevaa henkilöä kohti terää.

n) Leikattua osaa ei saa painaa tai työntää väkisin liikkuva terää vasten. Ahtaassa tilassa, esimerkiksi mittalaitetta käytettäessä, leikattu osa saattaa jäädä jumiin terää vasten ja sinkoutua voimakkaasti.

o) Kun työstät pyöreitä osia, kuten tankoja tai putkia, käytä aina ruuvipuristinta tai muuta asianmukaista apuvälinettä pitämään osaa paikallaan. Pyöreillä esineillä on taipumus pyöriä leikkaamisen aikana, mikä saattaa johtaa terän jumittumiseen ja vetää kättäsi terää kohti.

p) Anna terän kiihtyä täyteen nopeuteen ennen kuin aloitat leikkaamisen. Tämä ehkäisee työstettävän osan sinkoutumisen vaaraa.

q) Mikäli työstettävä osa tai terä jää jumiin, käännä jiirisaha pois päältä. Odota, kunnes kaikki liikkuvat osat ovat pysähtyneet, irrota töpseli seinästä ja/tai irrota akku. Irrota tämän jälkeen jumittunut materiaali terästä. Jos jatkat jumittuneen osan sahaamista, saatat menettää sahan hallinnan tai vioittaa jiirisahaa.

r) Leikkaamisen jälkeen käännä katkaisija pois päältä, pidä saha alhaalla ja odota, kunnes sahanterä on pysähtynyt ennen kuin irrotat leikatun osan. Käden laittaminen liukuvan terän lähelle on vaarallista.

s) Pidä kahvasta tiukasti kiinni, kun leikkaat työstettävää osaa vain osittain tai jos käännat katkaisijan pois päältä ennen kuin sahanterä on täysin alhaalla. Kun terä jarruttaa, saha saattaa yhtäkkiä vetää alas päin ja aiheuttaa vahinkoja.

Täydentäviä turvallisuusmääräyksiä ja työskentelyohjeita Käytä korvasuojia. Melulle altistuminen voi heikentää kuuloa.

Käytä laitteella työskennellessäsi aina suojalaseja. Suojakäsineiden, turvallisten ja tukevapohjaisten kenkien, kuulosuojainten ja suojaesiliinan käyttöä suositellaan.

Työstössä syntyvä pöly saattaa olla terveydelle vahingollista, joten sen koskettaminen tai hengittäminen tulisi välttää. Liitä kone kohdeimujärjestelmään ja käytä sopivaa pölysuojaa kasvoilla. Poista laskeutunut pöly huolellisesti esimerkiksi pölynimurilla.

Liitä saha pölynimulaitteeseen puuta sahatesassa.

Käytä suojakäsineitä!

On suositeltavaa lukea käyttöohje huolellisesti läpi ennen laitteen ensimmäistä käyttöä ja perehtyä laitteen käsittelyyn käytännössä ohjauksen alaisena.

Varmista, että kone seisoo aina tukevasti paikallaan (esim. kiinnittämällä se ruuvipenkkiin).

Pidä lattia puhtaana materiaallijätteistä, esim. purusta ja sahausjätteistä.

Älä käytä sahanterää, jotka ovat vahingoittuneet tai väänntyneet.

Sahanterää, joiden tunnus tiedot eriyvät tästä käyttöohjeesta, ei saa käyttää.

Koneen kanssa saa käyttää vain sellaisia teriä, jotka ovat EN 847-1 mukaisia.

Ei saa käyttää pikateräksestä valmistettuja sahanterää.

Valitse sahattavalle materiaalille sopiva sahanterä.

Käyttötyökalun sallitun kierrosluvun täytyy olla vähintään yhtä korkea kuin sähkötyökalulla ilmoitettu korkein kierrosluku.

Sallittua nopeammin pyörivät lisävarusteet voivat rikkoutua ja lentää ympäriinsä.

Teriä tulee kuljettaa ja säilyttää sopivassa säilytyskotelossa.

Käytä ainoastaan mukana toimitettuja ja käyttöohjeessa kuvattuja laippoja sahanterän kiinnittämiseen.

Älä koskaan käytä katkaisusahaa muiden kuin käyttöohjeessa luettujen materiaalien leikkaamiseen.

Käytä katkaisusahaa vain turvallisesti toimivan ja hyvin huolletun suojakuvun kera. Suojakuvun tulee kääntyä takaisin itsestään.

Älä poista sahausjätteitä tai muita työkappaleiden paloja sahausalueelta, kun kone käy eikä sahan pää ole lepoasennossa.

Älä tartu käynnistetyn laitteen työskentelyalueelle.

Laitteen suojaruusteita on ehdottomasti käytettävä.

Koneessa, mukaanluettuna suojaruusteissa tai sahanterissä, ilmenevät vikat tulee ilmoittaa heti niiden havaitsemisen jälkeen koneen turvallisesta käytöstä vastuulliselle henkilölle.

Liikkuvan teränsuojaa ei saa kiinnittää aukinaisena.

Pitkiä työstökappaleita tulee tukea sopivoin toimin.

Kuljeta katkaisusahaa vain vahvasta kantaan ja kuljetusvarmistuksen ollessa lukittuna.

Viistekulmaa, vinoa reunaa tai liitoskulmaa leikattaessa säädä liukuva este varmistamaan oikea terän etäisyys.

Vältä sahanterän hampaiden ylikuumentumisen käyttämällä tarkoitukseen sopivaa nopeutta. Täten vältetään myös materiaalin sulaminen muovia sahattaessa.

TARKOITUKSEN MUKAINEN KÄYTTÖ

Katkaisusahaa saa käyttää umpipuun, liimatun puun, puunkaltaisten raaka-aineiden ja muovien sahaamiseen.

Työkappaleita, joiden halkaisija on pyöreä tai epäsäännöllinen (esim. polttopuita), ei saa sahata, koska niitä ei voida pitää tukevasti paikallaan sahaamisen aikana. Sahattaessa laakeita työkappaleita pystyasennossa tulee käyttää sopivaa tukivastetta niiden turvallista kuljettamista varten.

JÄÄMÄRISKIT

Vaikka tuotetta käytetäänkin määräysten mukaisesti, niin jäämäreiskejä ei voida välttää täysin. Käytössä saattaa esiintyä seuraavia riskejä, ja siksi käyttäjän tulee muistaa seuraavat asiat:

- Kuulovammon välttämiseksi tulee rajoittaa altistamisaikaa ja käyttää sopivia kuulosuojia.
- Käyttäjän tulee ryhtyä sopiviin toimenpiteisiin tärinän vaikutusten vähentämiseksi ja rajoittaa altistamisaikaa.
- Sahauspölyn sisäänhengittämisestä mahdollisesti aiheutuvien terveydellisten haittojen välttämiseksi tulee käyttää suojanamaaria.

AKKU

Pitkään käyttämättä olleet vaihtoakut on ladattava ennen käyttöä.

Yli 50°C lämpötilassa akun suorituskyky heikkenee. Vältä lämpöä akkujen säilyttämisestä auringossa tai kuumisissa tiloissa.

Pidä aina latauslaitteen ja akun kosketuspinnat puhtaina.

Optimaalisen käyttöiän saavuttamiseksi akut on ladattava täyteen käytön jälkeen.

Mahdollisimman pitkän elinajan takaamiseksi akut tulee poistaa laturista lataamisen jälkeen.

Akkuja yli 30 päivää säilytettäessä: Säilytä akku yli 27 °C:ssa ja kuivassa. Säilytä akku sen latauksen ollessa 30 % - 50 %. Lataa akku 6 kuukauden välein uudelleen.

LITIUMI-IONIAKKujen KULJETTAMINEN

Litiumi-ioniakut kuuluvat vaarallisten aineiden kuljetuksesta annettujen lakien piiriin.

Näiden akkujen kuljettaminen täytyy suorittaa noudattaen paikallisia, kansallisia ja kansainvälisiä määräyksiä ja säädöksiä.

Kuluttajat saavat ilman muuta kuljettaa näitä akkuja teitä pitkin.

Kaupallisessa kuljetuksessa huolintaliikkeiden täytyy kuljettaa litiumi-ioniakkuja vaarallisten aineiden kuljetuksesta annettujen määräysten mukaisesti. Ainoastaan tähän vastaavasti koulutetut henkilöt saavat suorittaa kuljetuksen valmistelutoimet ja itse kuljetuksen. Koko prosessia tulee valvoa asiantuntevasti.

Seuraavat kohdat tulee huomioida akkuja kuljetettaessa:

Varmista, että akkujen kontaktit on suojattu ja eristetty, jotta välitetään lyhytsulut. Huolehdi siitä, ettei akkusarja voi luiskahtaa paikaltaan pakkauksen sisällä. Vahingoittuneita tai vuotavia akkuja ei saa kuljettaa. Pyydä tarkemmat tiedot huolintaliikkeeltäsi.

AKUN YLIKUORMITUSSUOJAUS

Jos akku ylikuormittuu erittäin suuren virrankulutuksen takia, esim. erittäin voimakkaiden vääntömomenttien, äkillisen pysähtymisen tai oikosulun vuoksi, niin sähkötyökalu tärisee 5 sekunnin ajan, latausnäyttö vilkkuu ja sähkötyökalu sammuu omatoimisesti. Käynnistä laite uudelleen päästämällä katkaisinpainikkeen irti ja käynnistämällä laitteen sitten uudelleen.

Erittäin suuressa kuormituksessa akku kuumenee liikaa. Tässä tapauksessa latausnäytön kaikki lamput vilkkuvat, kunnes akku on jäähtynyt. Kun latausnäyttö on sammunut, voi työtä jatkaa.

Työnä akku sitten latauslaitteeseen ja lataa se jälleen, jotta se aktivoituu.

HUOLTO

Ota akku pois ennen kaikkia koneeseen tehtäviä toimenpiteitä.

Muista irrottaa laite virtalähteestä, ennen kuin kiinnität tai irrotat sahanterän.

Vaihdla loppuun kulunut pöydän sisäke uuteen.

Puhdista laite ja suojaruusteet kuivalla liinalla.

Pidä moottorin ilmanottoaukot puhtaina.

Käytä ainoastaan Milwaukee lisätarvikkeita ja Milwaukee varaosia. Mikäli jokin komponentti, jota ei ole kuvailltu, tarvitsee vaihtoa ota yhteys johonkin Milwaukee palvelupisteistä (kts. listamme takuuhuoltoliikkeiden/ palvelupisteiden osoitteista)

Tarpeen vaatiessa voit pyytää lähettämään laitteen kokoonpanonopirustuksen ilmoittamalla arvokilven numeron seuraavasta osoitteesta: Techtronic Industries GmbH, Max-Eyth-Straße 10, 71364 Winnenden, Germany.

TODISTUS CE-STANDARDINMUKAISUUDESTA

Vakuutamme täten olevamme yksin vastuussa siitä, että kohdassa "Tekniset tiedot" kuvattu tuote vastaa kaikkia direktiivien merkityksellisiä säädöksiä

2011/65/EU (RoHS)

2006/42/EY

2014/30/EU

ja seuraavia yhdenmukaistettuja standardeja on käytetty.

EN 62841-1:2015

EN 62841-3-9:2015

EN 55014-1:2006+A1:2009+A2:2011

EN 55014-2:2015

EN 61326-1:2013

EN 50581:2012



Winnenden, 2016-08-19

Alexander Krug / Managing Director
Valtuutettu kokoamaan tekniset dokumentit.

Techtronic Industries GmbH
Max-Eyth-Straße 10, 71364 Winnenden, Germany

SYMBOLIT



HUOMIO! VAROITUS! VAARA!



Ota akku pois ennen kaikkia koneeseen tehtäviä toimenpiteitä.



Lue käyttöohjeet huolellisesti, ennen koneen käynnistämistä.



Käytä laitteella työskennellessäsi aina suojalaseja.



Käytä kuulosuojaimia!



Käytä suojakäsineitä!



Vaaravyöhyke! Pidä mikäli mahdollista kädet, sormet ja käsivarret loitolla tältä alueelta.



Älä jätä konetta alttiiksi sateelle.



HUOMIO! Älä katso palavaan lampuun.



Sähkölaitteita ei saa hävittää yhdessä kotitalousjätteiden kanssa. Sähkö- ja elektroniset laitteet tulee kerätä erikseen ja toimittaa kierrätysliikkeeseen ympäristöystävällistä hävittämistä varten. Pyydä paikallisilta viranomaisilta tai alan kauppiailta tarkemmat tiedot kierrätyspisteistä ja keräyspaikoista.



CE-merkki



UkrSEPRO -vaatimustenmukaisuusmerkki.



EurAsian-vaatimustenmukaisuusmerkki.



Τεχνικά στοιχεία ΣΤΑΘΕΡΟ ΔΙΣΚΟΠΡΙΟΝΟ	M18 FMS254
Αριθμός παραγωγής	4569 52 01... ...000001 - 999999
Αριθμός στροφών χωρίς φορτίο	4000 min ⁻¹
Τάση ανταλλακτικής μπαταρίας	18 V
Διάμετρος λεπίδας πριονιού x διάμετρος διάτρησης	254 x 30 mm
Πάχος σώματος πριονολεπίδας Μέγ.	2 mm
Πάχος οδόντωσης πριονολεπίδας Ελάχισ.	2,8 mm
Πλάτος τομής Μέγ.	
Φαλτογωνία 0°/ Κλίση 0°	91 x 289 mm
Φαλτογωνία 45°/ Κλίση 0°	91 x 205 mm
Φαλτογωνία 0°/ Κλίση 45°	51 x 289 mm
Φαλτογωνία 45°/ Κλίση 45°	51 x 205 mm
Βάρους σύμφωνα με τη διαδικασία EPTA 01/2003 (Li-Ion 5,0 Ah)	20,0 kg
Πληροφορίες θορύβου Τίμες μέτρησης εξακριβωμένες κατά EN 62841. Η σύφωνα με την καμπύλη A εκτιμηθείσα στάθμη θορύβου του μηχανήματος αναφέρεται σε: Στάθμη ηχητικής πίεσης (Ανασφάλεια K=3dB(A)) Στάθμη ηχητικής ισχύος (Ανασφάλεια K=3dB(A)) Φοράτε προστασία ακοής (ωτασπίδες)!	90,5 db(A) 101,5 db (A)



EL

⚠️ ΠΡΟΕΙΔΟΠΟΙΗΣΗ Διαβάστε όλες τις υποδείξεις ασφαλείας, τις οδηγίες, τις εικόνες και τα δεδομένα, τα οποία θα λάβετε μαζί με το μηχάνημα. Αμέλειες κατά την τήρηση των προειδοποιητικών υποδείξεων μπορεί να προκαλέσουν ηλεκτροπληξία, κίνδυνο πυρκαγιάς ή/και σοβαρούς τραυματισμούς.
Φυλάξτε όλες τις προειδοποιητικές υποδείξεις και οδηγίες για κάθε μελλοντική χρήση.

⚠️ ΟΔΗΓΙΕΣ ΑΣΦΑΛΕΙΑΣ ΓΙΑ ΦΑΛΤΣΟΠΡΙΟΝΑ

a) Τα φαλτσοπρίονα προορίζονται για την κοπή ξύλου ή προϊόντων απομίμησης ξύλου και δεν επιτρέπεται να χρησιμοποιούνται σε συνδυασμό με τροχούς λείανσης για την επεξεργασία σιδηρούχων υλικών, όπως ράβδων, ντιζών, δοκών κ.λπ. Η σκόνη από τη λείανση προκαλεί εμπλοκή σε κινητά μέρη, όπως στον παλινδρομικό προφυλακτήρα. Οι σπινθήρες από τη λείανση μπορεί να κάψουν τον παλινδρομικό προφυλακτήρα, το ένθετο εγκοπής στην πλάκα στήριξης και άλλα πλαστικά μέρη.

b) Χρησιμοποιήστε σφιγκτήρες, όπου είναι δυνατό, για να ακινητοποιήσετε το προς κατεργασία τεμάχιο. Αν ακινητοποιήσετε το προς κατεργασία τεμάχιο με το χέρι, βεβαιωθείτε ότι το χέρι σας βρίσκεται πάντα σε απόσταση τουλάχιστον 100 mm από την κάθε πλευρά του πριονόδισκου. Μη χρησιμοποιείτε αυτό το φαλτσοπρίονο για την κοπή πολύ μικρών τεμαχίων που δεν μπορούν να συγκρατηθούν με ασφάλεια με σφιγκτήρες ή με το χέρι. Αν το χέρι σας βρίσκεται πολύ κοντά στον πριονόδισκο, υπάρχει αυξημένος κίνδυνος τραυματισμού από την επαφή με το δίσκο.

c) Το προς κατεργασία τεμάχιο πρέπει να είναι ακινητοποιημένο και συγκρατημένο με σφιγκτήρες ή με το χέρι κόντρα, τόσο στη ράγα οδήγησης όσο και στην πλάκα στήριξης. Μην κόβετε, προωθώντας το τεμάχιο προς το δίσκο ή χωρίς να το συγκρατείτε με κάποιο τρόπο. Τα μη πλήρως ακινητοποιημένα τεμάχια μπορεί να εκσφενδονιστούν με μεγάλη ταχύτητα, προκαλώντας τραυματισμούς.

d) Ωθήστε τον πριονόδισκο για να διαπεράσει το προς κατεργασία τεμάχιο. Μην κόβετε το προς κατεργασία τεμάχιο με έλξη του πριονόδισκου. Για να πραγματοποιήσετε μια κοπή, ανασηκώστε και έλξετε την κεφαλή του

φαλτσοπρίονο προς τα έξω, επάνω από το προς κατεργασία τεμάχιο, χωρίς να κόψετε. Ενεργοποιήστε τον κινητήρα, πιέστε την κεφαλή του φαλτσοπρίονο προς τα κάτω και ωθήστε την, ώστε ο δίσκος να διαπεράσει το τεμάχιο. Αν κόψετε με έλξη του πριονόδισκου προς το τεμάχιο, είναι πιθανό ο δίσκος να βαρβαλίσει το προς κατεργασία τεμάχιο και η διάταξη του δίσκου να εκσφενδονιστεί με μεγάλη ταχύτητα προς το μέρος του χειριστή.

e) Μην τοποθετείτε ποτέ το χέρι σας επάνω από τη γραμμή κοπής, είτε μπροστά είτε πίσω από τον πριονόδισκο. Μην εργάζεστε με τα χέρια σταυρωτά, συγκρατώντας δηλαδή το προς κατεργασία τεμάχιο από τη δεξιά πλευρά του πριονόδισκου με το αριστερό χέρι ή αντίστροφα, γιατί είναι εξαιρετικά επικίνδυνο.

f) Κατά τη διάρκεια που ο δίσκος περιστρέφεται, μη βάζετε τα χέρια πίσω από τη ράγα οδήγησης σε απόσταση μικρότερη των 100 mm από το δίσκο, προκειμένου να απομακρύνετε ξέσματα ξύλου ή για οποιοδήποτε άλλο λόγο. Η απόσταση μεταξύ του περιστρεφόμενου πριονόδισκου και του χεριού σας μπορεί να μην είναι εμφανής και να τραυματιστείτε σοβαρά.

g) Πριν την κοπή επιθεωρήστε το προς κατεργασία τεμάχιο. Αν το προς κατεργασία τεμάχιο είναι κυρτωμένο ή στρεβλωμένο, συσφίξτε το, με την εξωτερική κυρτωμένη πλευρά να είναι στραμμένη προς τη ράγα οδήγησης. Να βεβαιώνετε πάντα ότι δεν υπάρχει κενό μεταξύ του προς κατεργασία τεμαχίου, της ράγας οδήγησης και της πλάκας στήριξης, κατά μήκος της γραμμής κοπής. Κυρτωμένα ή στρεβλωμένα προς κατεργασία τεμάχια μπορεί να περιστραφούν ή να μετατοπιστούν και να προκαλέσουν εμπλοκή στον πριονόδισκο κατά την κοπή. Δεν πρέπει να υπάρχουν καρφιά ή άλλα ξένα σώματα μέσα στο προς κατεργασία τεμάχιο.

h) Μη χρησιμοποιήσετε το φαλτσοπρίονο προτού απομακρύνετε από την πλάκα στήριξης όλα τα εργαλεία, ξέσματα ξύλου κ.λπ., εκτός από το προς κατεργασία τεμάχιο. Μικρά θραύσματα ή ελεύθερα κομμάτια ξύλου, καθώς και άλλα αντικείμενα, μπορεί να εκσφενδονιστούν με μεγάλη ταχύτητα, αν έρθουν σε επαφή με τον περιστρεφόμενο δίσκο.

ι) Κόβετε μόνο ένα τεμάχιο κάθε φορά. Πολλαπλά στοιβαγμένα προς κατεργασία τεμάχια δεν μπορούν να συσφιχθούν και να στερεωθούν επαρκώς επάνω στην πλάκα στήριξης και μπορεί να εμπλακούν στο δίσκο ή να μετατοπιστούν κατά την κοπή.

j) Βεβαιωθείτε πριν τη χρήση ότι το φάλτσοπρίονο είναι βιδωμένο ή τοποθετημένο επάνω σε μια επίπεδη και σταθερή επιφάνεια εργασίας. Η επίπεδη και σταθερή επιφάνεια εργασίας μειώνει τον κίνδυνο αστάθειας στο φάλτσοπρίονο.

κ) Σχεδιάστε την εργασία σας. Κάθε φορά που αλλάζετε τη ρύθμιση της γωνίας λοξοτομής ή φάλτσοτομής, βεβαιωθείτε ότι η ρυθμιζόμενη ράγα οδήγησης είναι ρυθμισμένη σωστά, ώστε να υποστηρίζει το προς κατεργασία τεμάχιο, χωρίς να παρεμβάλλεται στη διαδρομή του δίσκου ή των προφυλακτικών. Χωρίς να ενεργοποιησετε το εργαλείο και χωρίς κανένα προς κατεργασία τεμάχιο επάνω στην πλάκα στήριξης, πραγματοποιήστε μια πλήρη προσομοίωση κοπής, οδηγώντας τον πριονόδισκο σε ολόκληρη τη διαδρομή του, ώστε να βεβαιωθείτε ότι δεν υπάρχει παρεμβολή ή κίνδυνος να κόψετε τη ράγα οδήγησης.

l) Παρέχετε επαρκή υποστήριξη σε ένα προς κατεργασία τεμάχιο, που είναι πλατύτερο ή μακρύτερο από την πλάκα στήριξης, χρησιμοποιώντας προεκτάσεις στήριξης, καβαλέτα κ.λπ. Προς κατεργασία τεμάχια, που είναι πλατύτερα ή μακρύτερα από την πλάκα στήριξης του φάλτσοπριονίου, μπορεί να ανατραπούν αν δεν είναι ασφαλώς υποστηριγμένα. Αν το αποκομμένο ή το προς κατεργασία τεμάχιο ανατραπεί, μπορεί να ανασηκώσει τον παλινδρομικό προφυλακτήρα ή να εκσφενδονιστεί εξαιτίας του περιστρεφόμενου δίσκου.

m) Μη χρησιμοποιείτε άλλα πρόσωπα αντί για προεκτάσεις ή άλλα κατάλληλα μέσα για την πρόσθετη στήριξη του τεμαχίου. Η ασταθής υποστήριξη του προς κατεργασία τεμαχίου μπορεί να οδηγήσει σε εμπλοκή του πριονόδισκου ή σε μετατόπιση του τεμαχίου κατά τη διάρκεια της λειτουργίας κοπής, έλκοντας εσάς και το βοηθό σας προς το μέρος του περιστρεφόμενου δίσκου.

n) Το αποκομμένο τεμάχιο δεν πρέπει σε καμία περίπτωση να μαγκώσει μέσα στον περιστρεφόμενο πριονόδισκο ή γενικά να πιέζεται με οποιοδήποτε τρόπο κόντρα σε αυτόν. Αν το αποκομμένο τεμάχιο περιορίζεται, π.χ. από οδηγούς μήκους, μπορεί να σφηνωθεί στο δίσκο και να εκσφενδονιστεί με μεγάλη ταχύτητα.

ο) Να χρησιμοποιείτε πάντα σφικκτήρες ή προσαρμογείς ειδικά σχεδιασμένους για την κατάλληλη υποστήριξη κυλινδρικών τεμαχίων, όπως ράβδων ή σωλήνων. Οι ράβδοι έχουν την τάση να κυλούν κατά τη διάρκεια της κοπής, με συνέπεια ο δίσκος να «ασάει» το υλικό και να το έλκει μαζί με το χέρι σας προς το μέρος του.

ρ) Περιμένετε μέχρι ο δίσκος να αναπτύξει πλήρη ταχύτητα περιστροφής πριν τον φέρετε σε επαφή με το προς κατεργασία τεμάχιο. Αυτό μειώνει τον κίνδυνο εκσφενδονισμού του τεμαχίου.

q) Σε περίπτωση εμπλοκής στο προς κατεργασία τεμάχιο ή στο δίσκο, απενεργοποιήστε το φάλτσοπρίονο. Περιμένετε μέχρι να ακινητοποιηθούν όλα τα κινητά μέρη και αποσυνδέστε το εργαλείο από την παροχή ρεύματος και/ή αφαιρέστε την μπαταρία. Στη συνέχεια, αφαιρέστε το σφηνωμένο υλικό. Αν συνεχίσετε να κόβετε με ένα σφηνωμένο υλικό, μπορεί να χάσετε τον έλεγχο του εργαλείου ή να προκληθεί βλάβη στο φάλτσοπρίονο.

r) Μετά το τέλος της κοπής, απελευθερώστε το διακόπτη, κρατήστε την κεφαλή του δίσκου κάτω και περιμένετε, μέχρι ο δίσκος να ακινητοποιηθεί προτού αφαιρέσετε το αποκομμένο τεμάχιο. Η προσέγγιση του χεριού σας κοντά στο δίσκο ενέχει κίνδυνο.

s) Κρατάτε τη λαβή σταθερά όταν εκτελείτε μια ημιτελή κοπή ή όταν απελευθερώνετε το διακόπτη, πριν η κεφαλή του δίσκου βρεθεί στην τελική κάτω θέση. Το φρενάρισμα της κίνησης του δίσκου μπορεί να προκαλέσει την απότομη έλξη της κεφαλής του δίσκου προς τα κάτω, με κίνδυνο τραυματισμού.

Περαιτέρω οδηγίες ασφαλείας και χρήσεως

Φοράτε ωτοασπίδες. Η επίδραση του θορύβου μπορεί να προκαλέσει απώλεια ακοής.

Στις εργασίες με τη μηχανή φοράτε πάντοτε προστατευτικά γυαλιά. Συνιστάνται τα προστατευτικά γάντια, τα σταθερά και αντιολισθητικά παπούτσια και η ποδιά.

Η δημιουργούμενη κατά την εργασία σκόνη είναι συχνά επιβλαβής για την υγεία και δεν πρέπει να έρχεται σε επαφή με το σώμα. Χρησιμοποιείτε μια διάταξη αναρρόφησης της σκόνης και φοράτε επιπλέον μια κατάλληλη προσωπίδα προστασίας από τη σκόνη. Απομακρύνετε επιμελώς τη μαζεμένη σκόνη, π.χ. με αναρρόφηση.

Συνδέστε το πριόνι σε συσκευή απορρόφησης σκόνης όταν πριονίζετε ξύλο.

Να φοράτε προστατευτικά γάντια!

Πριν την χρήση της συσκευής για πρώτη φορά συνιστάται να διαβάσετε προσεκτικά τις οδηγίες χρήσης και να ζητήσετε να σας περιγράψουν τον χειρισμό της συσκευής.

Να σιγουρευτείτε πως η μηχανή είναι σταθερή (π.χ. στερέωση στον πάγκο εργασίας).

Το δάπεδο να διατηρείται ελεύθερο από κατάλοιπα υλικών, π.χ. ροκανίδια κλπ.

Μη χρησιμοποιείτε ελαττωματικές ή στρεβλωμένες πριονολάμες.

Οι λεπίδες πριονιού, που δεν αντιστοιχούν με τα χαρακτηριστικά στοιχεία σε αυτές τις οδηγίες χρήσης, δεν επιτρέπεται να χρησιμοποιηθούν.

Επιτρέπεται να χρησιμοποιούνται μόνο εξαρτήματα, που ανταποκρίνονται στο πρότυπο EN 847-1.

Δεν χρησιμοποιείτε πριονόδισκους κατασκευασμένους από ταχυχάλυβα.

Επιλέγεται ένα κατάλληλο πριονόδισκο για το υλικό που θέλετε να κόψετε.

Ο επιτρεπτός αριθμός στροφών του ανταλλακτικού εξαρτήματος πρέπει να είναι τουλάχιστον τόσο υψηλός όσο ο μέγιστος αριθμός στροφών που αναφέρεται επάνω στο ηλεκτρικό εργαλείο. Εξαρτήματα τα οποία περιστρέφονται με ταχύτερα μεγαλύτερη από την επιτρεπτή, ενδέχεται να σπάσουν και να εκσφενδονιστούν.

Τα εργαλεία πρέπει να μεταφέρονται και να φυλάγονται σε ένα κατάλληλο δοχείο

Χρησιμοποιείτε μόνο τις εμπεριεχόμενες και τις απεικονιζόμενες στις οδηγίες χειρισμού φλάντζες για τη στερέωση του πριονόδισκου.

Δεν χρησιμοποιείτε το φάλτσοπρίονο για την κοπή διαφορετικών υλικών, από αυτά που αναφέρονται στις οδηγίες χειρισμού.

Να χρησιμοποιείτε το φάλτσοπρίονο μόνο με καλά λειτουργούν και καλά συντηρημένο προστατευτικό κάλυμμα. Το προστατευτικό κάλυμμα πρέπει να πηγαίνει αυτόματα προς τα πίσω.

Μην απομακρύνετε υπολείμματα πριονίσματος ή άλλα τμήματα του κατεργασθέντος αντικείμενου από την περιοχή πριονίσματος



όταν λειτουργεί η μηχανή και δεν έχει ακινητοποιηθεί η κεφαλή του πριονιού.

Μην αλώνετε τα χέρια σας στην επικίνδυνη περιοχή της μηχανής όταν είναι σε λειτουργία.

Χρησιμοποιείτε οπωσδήποτε τη διάταξη προστασίας της μηχανής.

Σφάλματα στη μηχανή, συμπεριλαμβανομένης της προστατευτικής διάταξης ή των πριονοδίσκων, πρέπει μόλις αυτά γίνουν αντιληπτά, να δηλωθούν στον υπεύθυνο ασφαλείας.

Το κινητό προστατευτικό κάλυμμα δεν επιτρέπεται να ασφαλιστεί στην ανοιχτή κατάσταση.

Τεμάχια καταργασίας μεγάλου μήκους πρέπει να στηρίζονται κατάλληλα.

Εκτελείτε τη μεταφορά του φαλτσοπριονίου μόνο με τοποθετημένη την ασφάλεια μεταφοράς στη χειρολαβή.

Κατά την εκτέλεση οδηγούμενης κοπής ξύλου, κοπής ξύλου υπό γωνία και σύνθετες οδηγούμενες κοπές ξύλου, ρυθμίστε το συρόμενο φράχτη για να εξασφαλιστεί η σωστή απόσταση από τη λεπίδα.

Αποφύγετε υπερθέρμανση των δοντιών της λάμας του πριονιού και λιώσιμο του υλικού που κόβετε αν πρόκειται για πλαστικό ρυθμίζοντας την ταχύτητά του πριονιού.



ΧΡΗΣΗ ΣΥΜΦΩΝΑ ΜΕ ΤΟ ΣΚΟΠΟ ΠΡΟΟΡΙΣΜΟΥ

Το φαλτσοπριονίο προορίζεται για ξύλα μασίφ, για κολλημένα ξύλα, για υλικά παρόμοια με ξύλο και για πλαστικά.

Δεν επιτρέπεται το κόψιμο αντικειμένων με στρογγυλή ή όχι ομοιόμορφη διατομή (π.χ. καυσόξυλα), διότι δεν συγκρατούνται καλά κατά το πριόνισμα. Όταν κόβετε όρθια αντικείμενα που είναι σχετικά λεπτά, να υπάρχει βοηθητικός οδηγός για ασφαλή καθοδήγηση.

ΛΟΙΠΟΙ ΚΙΝΔΥΝΟΙ

Ακόμα και σε περίπτωση ορθής χρήσης του προϊόντος δεν μπορούν να αποκλειστούν λοιποί κίνδυνοι. Κατά τη χρήση μπορούν να παρουσιαστούν οι ακόλουθοι κίνδυνοι, για αυτόν τον λόγο ο χειριστής πρέπει να προσέξει τα παρακάτω:

- Για να αποφευχθεί βλάβη της ακοής πρέπει να περιοριστεί ο χρόνος έκθεσης και να χρησιμοποιούνται προστατευτικά μέσα της ακοής.
- Ο χειριστής πρέπει να λαμβάνει μέτρα για τη μείωση των κραδασμών και τον περιορισμό του χρόνου έκθεσης.
- Για τη μείωση των κινδύνων υγείας που μπορούν να προκύψουν από την εισπνοή πριονιδιών πρέπει να χρησιμοποιείται προστατευτική μάσκα αναπνοής.

ΜΠΑΤΑΡΙΣ

Επαναφορτίστε τις ανταλλακτικές μπαταρίες που δεν έχουν χρησιμοποιηθεί για μεγαλύτερο χρονικό διάστημα πριν τη χρήση. Μια θερμοκρασία πάνω από 50°C μειώνει την ισχύ της ανταλλακτικής μπαταρίας. Αποφύγετε τη θέρμανση για μεγαλύτερο χρονικό διάστημα από τον ήλιο ή τις συσκευές θέρμανσης.

Διατηρείτε τις επαφές σύνδεσης στο φορτιστή και στην ανταλλακτική μπαταρία καθαρές.

Για μια άριστη διάρκεια ζωής πρέπει μετά τη χρήση οι μπαταρίες να φορτιστούν πλήρως.

Για μια κατά το δυνατόν μεγάλη διάρκεια ζωής οι μπαταρίες μετά τη φόρτιση οφείλουν να αφαιρεθούν από το φορτιστή.

Για την αποθήκευση της μπαταρίας για διάστημα μεγαλύτερο των 30 ημερών: Αποθηκεύετε τη μπαταρία περ. στους 27°C σε στεγνό χώρο.

Αποθηκεύετε τη μπαταρία περ. στο 30%-50% της κατάστασης φόρτισης. Κάθε 6 μήνες φορτίζετε εκ νέου τη μπαταρία.

ΜΕΤΑΦΟΡΑ ΤΩΝ ΜΠΑΤΑΡΙΩΝ ΙΟΝΤΩΝ ΛΙΘΙΟΥ

Οι μπαταρίες ιόντων λιθίου υπόκεινται στις απαιτήσεις των νομικών διατάξεων για τη μεταφορά επικινδύνων εμπορευμάτων.

Η μεταφορά τέτοιων μπαταριών πρέπει να πραγματοποιείται τηρώντας τους τοπικούς, εθνικούς και διεθνείς κανονισμούς και τις αντίστοιχες διατάξεις.

Επιτρέπεται η μεταφορά τέτοιων μπαταριών στο δρόμο χωρίς περαιτέρω απαιτήσεις.

Η εμπορική μεταφορά μπαταριών ιόντων λιθίου από εταιρείες μεταφορών υπόκειται στις απαιτήσεις των νομικών διατάξεων για την μεταφορά επικινδύνων εμπορευμάτων. Οι προετοιμασίες αποστολής και η μεταφορά πραγματοποιούνται αποκλειστικά από ειδικά εκπαιδευμένα πρόσωπα. Η συνολική διαδικασία συνοδεύεται από εξειδικευμένο προσωπικό.

Κατά τη μεταφορά μπαταριών ιόντων λιθίου πρέπει να προσέχετε τα εξής:

Φροντίστε τα σημεία επαφών να είναι προστατευμένα και μονωμένα ώστε να αποφευχθούν βραχυκυκλώματα. Προσέξτε το πακέτο μπαταριών να είναι σταθερό μέσα στη συσκευασία και να μη γλιστρά. Η μεταφορά μπαταριών που παρουσιάζουν φθορές ή διαρροές δεν επιτρέπεται. Για περισσότερες πληροφορίες απευθυνθείτε στην εταιρεία μετάφορων.

ΠΡΟΣΤΑΣΙΑ ΥΠΕΡΦΟΡΤΩΣΗΣ ΤΗΣ ΜΠΑΤΑΡΙΑΣ

Σε υπερφόρτωση της μπαταρίας από πολύ υψηλή κατανάλωση ρεύματος, π. χ. από ακραίες υψηλές ροπές περιστροφής, μπλοκάρισμα του τρπανιού, δονείται το ηλεκτρικό εργαλείο για 5 δευτερόλεπτα, αναβοσβήνει η ένδειξη φόρτισης και το ηλεκτρικό εργαλείο απενεργοποιείται αυτόματα.

Για μια νέα ενεργοποίηση, αφήνετε ελεύθερο το διακόπτη και στη συνέχεια ενεργοποιείτε εκ νέου.

Κάτω από ακραίες καταπονήσεις θερμαίνεται πάρα πολύ η μπαταρία. Στην περίπτωση αυτή αναβοσβήνουν όλες οι λάμπες της ένδειξης φόρτισης μέχρι να έχει κρυώσει η μπαταρία. Μετά το σβήσιμο της ένδειξης φόρτισης μπορεί να συνεχιστεί η συνεργασία.

Τοποθετείτε στη συνέχεια τη μπαταρία στη συσκευή φόρτισης για να τη φορτίσετε πάλι και να την ενεργοποιήσετε.

ΣΥΝΤΗΡΗΣΗ

Πριν από κάθε εργασία στη μηχανή αφαιρείτε την ανταλλακτική μπαταρία.

Αποσυνδέετε το εργαλείο από το ρεύμα πριν τοποθετήσετε ή αφαιρέσετε την λεπίδα κόπτη.

Να αντικαθιστάται το φθαρμένο ένθετο του πάγκου.

Καθαρίζετε την συσκευή και τον εξοπλισμό προστασίας με ένα στεγνό πανί.

Διατηρείτε πάντοτε τις σχισμές εξαερισμού της μηχανής καθαρές.

Χρησιμοποιείτε μόνο αξεσουάρ Milwaukee και ανταλλακτικά Milwaukee. Εξαρτήματα, που η αλλαγή τους δεν περιγράφεται, αντικαθιστώνται σε μια τεχνική υποστήριξη της Milwaukee (βλέπε φυλλάδιο εγγύηση/ διευθύνσεις τεχνικής υποστήριξης).

Όταν χρειάζεται, μπορείτε να ζητήσετε ένα σχέδιο συναρμολόγησης της συσκευής, δίνοντας τον τύπο της μηχανής και αριθμό στην πινακίδα ισχύος, από το κέντρο εσέρβις ή απευθείας από τη φίρμα Techntron Industries GmbH, Max-Eyth-Strabe 10, 71364 Winnenden, Germany.

ΔΗΛΩΣΗ ΠΙΣΤΟΤΗΤΑΣ ΕΚ

Δηλώνουμε με αποκλειστική μας ευθύνη, ότι το προϊόν που περιγράφεται στα «Τεχνικά Χαρακτηριστικά» συμμορφώνεται με όλες τις σχετικές διατάξεις των οδηγιών

2011/65/ΕΕ (RoHS)

2006/42/ΕΚ

2014/30/ΕΕ

και έχουν εφαρμοστεί τα ακόλουθα εναρμονισμένα πρότυπα

EN 62841-1:2015

EN 62841-3-9:2015

EN 55014-1:2006+A1:2009+A2:2011

EN 55014-2:2015

EN 61326-1:2013

EN 50581:2012



Winnenden, 2016-08-19

Alexander Krug / Managing Director
Εξουσιοδοτημένος να συντάξει τον τεχνικό φάκελο.

Techtronic Industries GmbH
Max-Eyth-Straße 10, 71364 Winnenden, Germany

ΣΥΜΒΟΛΑ



ΠΡΟΣΟΧΗ! ΠΡΟΕΙΔΟΠΟΙΗΣΗ! ΚΙΝΔΥΝΟΣ!



Πριν από κάθε εργασία στη μηχανή αφαιρείτε την ανταλλακτική μπαταρία.



Παρακαλώ διαβάστε σχολαστικά τις οδηγίες χρήσης πριν από την έναρξη λειτουργίας.



Στις εργασίες με τη μηχανή φοράτε πάντοτε προστατευτικά γυαλιά.



Φοράτε προστασία ακοής (ωτασπίδες)!



Να φοράτε προστατευτικά γάντια!



Επικίνδυνος τομέας! Κρατάτε τα χέρια σας, τα δάχτυλά σας ή/και τα μπράτσα σας όσο το δυνατό πιο μακριά από αυτόν τον τομέα.



Η μηχανή να μην εκτίθεται σε βροχή.



ΠΡΟΣΟΧΗ! Μην κοιτάζετε στην ενεργοποιημένη λάμπα.



Ηλεκτρικά μηχανήματα δεν επιτρέπεται να απορρίπτονται μαζί με τα οικιακά απορρίμματα. Ηλεκτρικά και ηλεκτρονικά μηχανήματα συλλέγονται ξεχωριστά και παραδίδονται προς ανακύκλωση με τρόπο φιλικό προς το περιβάλλον σε επιχείρηση επεξεργασίας απορριμμάτων. Ενημερωθείτε από τις τοπικές υπηρεσίες ή από ειδικευμένους εμπόρους σχετικά με κέντρα ανακύκλωσης και συλλογής απορριμμάτων.



Σήμα συμμόρφωσης CE



UKRSEPRO σήμα πιστότητας.



EurAsian σήμα πιστότητας.



Teknik veriler Çekme kapaklı ve çapraz testere	M18 FMS254
Üretim numarası	4569 52 01... ...000001 - 999999
Boştaki devir sayısı	4000 min ⁻¹
Kartuş akü gerilimi	18 V
Testere bıçağı çapı x delik çapı	254 x 30 mm
Testere bıçağı beden kalınlığı Maks.	2 mm
Testere bıçağı diş kalınlığı Min.	2,8 mm
Kesme genişliği Maks. Gönye 0°/ Eğim 0° Gönye 45°/ Eğim 0° Gönye 0°/ Eğim 45° Gönye 45°/ Eğim 45°	91 x 289 mm 91 x 205 mm 51 x 289 mm 51 x 205 mm
Ağırlığı ise EPTA-üretici 01/2003'e göre (Li-Ion 5,0 Ah)	20,0 kg
Gürültü bilgileri Ölçüm değerleri EN 62841 e göre belirlenmektedir. Aletin, frekansa bağımlı uluslararası ses basıncı seviyesi değerlendirme eğrisi A'ya göre tipik gürültü seviyesi: Ses basıncı seviyesi (Tolerans K=3dB(A)) Akustik kapasite seviyesi (Tolerans K=3dB(A)) Koruyucu kulaklık kullanın!	90,5 db(A) 101,5 db (A)



⚠ UYARI Cihazla birlikte gelen tüm güvenlik uyarılarını, talimatları, çizimleri ve bilgileri okuyun. Açıklanan uyarılara ve talimat hükümlerine uyulmadığı takdirde elektrik çarpmalarına, yangınlara ve/veya ağır yaralanmalara neden olunabilir. **Bütün uyarıları ve talimat hükümlerini ileride kullanmak üzere saklayın.**

⚠ GÖNYE TESTERELERİ İÇİN GÜVENLİK TALİMATLARI

- a) Gönye testereleri ahşap ve ahşap benzeri ürünleri kesmek içindir; demir içeren mil, çubuk, saplama vb. gibi ürünleri kesmek amacıyla aşındırıcı kesme diskleriyle kullanılamaz. Aşındırıcı toz alt korkuluk gibi hareketli aksamın sıkışmasına neden olur. Aşındırıcı kesme işleminin doğuracağı kıvılcımlar alt korkuluk, kesme eklentisi ve diğer plastik aksamı yakar.
- b) İşlenecek parçayı desteklemek için mümkün olduğunca mengene kullanın. İşlenecek parçayı elle tutarken eliniz testere bıçağının her iki yüzünden en az 100 mm uzakta tutun. Mengeneyle ya da elle sıkıca kavranamayacak parçaları kesmek için bu testereyi kullanmayın. Eliniz testere bıçağına çok yaklaşırsa, bıçak teması nedeniyle yaralanma riski artar.
- c) İşlenecek parça sabit olmalı ya da hem korkuluğa hem de tezgaha dayanmalıdır. İşlenecek parçayı testereye beslemeyin ya da herhangi bir şekilde «serbest elle» kesmeyin. Sabitlenmemiş ya da hareketli parçalar yüksek hızla fırlatılabilir ve yaralanmaya neden olabilir.
- d) Testereyi işlenecek parçanın içine itin. Testereyi işlenecek parçanın içinden çekmeyin. Kesmek için, testere başını kaldırın ve kesmeden işlenecek parçanın üzerine doğru itin, motoru açın, testere başını aşağıya bastırıp testereyi işlenecek parçanın içine itin. Çekiş hareketi sırasında kesmek, testerenin işlenecek parçanın tepesine tırmanmasını ve bıçak takımını operatöre doğru şiddetle fırlatmasına neden olabilir.
- e) Elinizi asla testere bıçağının önünde veya arkasındaki kesme hattının üzerine koymayın. İşlenecek parçayı «çapraz elle» desteklemek, diğer bir ifadeyle işlenecek parçayı sol elinizle

testere bıçağının sağına doğru tutmak ya da bunun tam tersi, çok tehlikelidir.

f) Bıçak dönerken, tahta artıklarını uzaklaştırmak ya da herhangi bir başka nedenle ellerinizden birini korkuluğun üzerinden, testere bıçağının iki yanına 100 mm'den fazla yaklaştırmayın. Dönen testere bıçağının elinize yakınlığı belli olmayabilir ve ciddi ölçüde yaralanabilirsiniz.

g) Kesmeden önce, işlenecek parçayı kontrol edin. İşlenecek parça eğri ya da çarpıksa, eğik tarafı korkuluğa bakacak şekilde sıkıştırın. Her zaman kesme hattı boyunca işlenecek parça, korkuluk ve tezgah arasında boşluk olmamasını sağlayın. Eğik ya da çarpık parçalar dönüp kayabilir ve kesme sırasında dönen testere bıçağının bükülmesine neden olabilir. İşlenecek parçanın içinde çivi ya da yabancı madde bulunmamalıdır.

h) Tezgahın işlenecek parça dışında her türlü alet, tahta artığı ve benzerlerinden temizlenmiş olması gerekir. Dönen bıçakla temas eden küçük tahta artıkları ve diğer cisimler çok yüksek bir hızla fırlatılabilir.

i) Bir seferde sadece bir işlenecek parça kesin. Üst üste istiflenmiş işlenecek parçalar gerektiği gibi kenetlenip sabitlenmez, bıçağı bükebilir ya da kesme sırasında kayabilir.

j) Kullanmadan önce, gönye testeresinin düz ve sağlam bir çalışma yüzeyine yerleştirildiğinden emin olun. Düz ve sağlam bir çalışma düzeyi gönye testeresinin dengesini yitirmesini engelleyebilir.

k) İşinizi planlayın. Konik ya da gönye açısını değiştirdiğiniz her sefer, ayarlanabilir korkuluğun işlenecek parçayı desteklemek için gerektiği gibi ayarlandığından ve bıçağı ya da muhafaza sistemine müdahale etmediğinden emin olun. Aleti «AÇIK» konumuna getirmeden ve tezgaha işlenecek parça yerleştirmeden, korkuluğa müdahale ya da kesme tehlikesi bulunmadığından emin olmak için testere bıçağına eksiksiz bir kesme simülasyonu uygulayın.

Türkçe

l) İşlenecek parçanın tezgah yüzeyinden daha geniş veya daha olmasi halinde tezgah uzatması, testere tezgahı gibi gerekli destekleri temin edin. Tezgah yüzeyinden daha uzun ya da daha geniş parçalar gerektiği gibi desteklenmezse devrilebilir. İşlenecek parçanın kesilmiş bölümü devrildiğinde, alt korkuluğu kaldırabilir ya da dönen bıçak tarafından fırlatılabilir.

m) Tezgah uzatması ya da ilave destek yerine bir başka kişi kullanmayın. İşlenecek parçanın gerektiği gibi desteklenmesi, kesme işlemi sırasında bıçağın bükülmesine ya da işlenecek parçanın kaymasına neden olarak sizi ve yardımcınızı dönen bıçağın içine çekebilir.

n) Kesik parça asla dönen testere bıçağına sıkıştırılmamalı ya da bıçağı bastırılmamalıdır. Örneğin boy stoperleri kullanılarak kısıtlandığında, kesilen parça bıçağı sıkıştırdığı takdirde fırlatılabilir.

o) Çubuk ve tüp gibi yuvarlak cisimleri gerektiği gibi desteklemek için her zaman bir mengene ya bu iş için geliştirilmiş bir tespit düzeneği kullanın. Çubuklar kesilirken yuvarlanma eğilimi göstererek, bıçağın «ısırmasına» ve işlenecek parçanın elinizle birlikte bıçağı çekilmesine neden olur.

p) İşlenecek parçaya değirmeden önce, bıçağın tam hız ulaşmasını bekleyin. Böylesi bir davranış, işlenecek parçanın fırlatılma riskini azaltır.

q) İşlenecek parçanın ya da bıçağın sıkışması halinde, gönye testeresini durdurun. Bütün hareketli parçaların durmasını bekleyin ve fişi güç kaynağından çekin ve/veya pil paketini çıkarın. Sonra da sıkışan maddeyi kurtarmaya çalışın. Sıkışmış bir işlenecek parçayla kesmeyi sürdürmek kontrol kaybına ya da gönye testeresinde hasara neden olabilir.

r) Kesme işlemini tamamladıktan sonra, anahtarı serbest bırakın, testere başını aşağıya doğru tutun ve kesik parçayı kaldırmadan önce testerenin durmasını bekleyin. Yavaşlayan bıçağı elinizi yaklaştırmak tehlikelidir.

s) Tamamlanmamış bir kesme işlemi yapar ya da testere başı tümüyle aşağıya bakar konuma gelmeden önce anahtarı serbest bırakırken tutamağı sıkıca kavrayın. Testerenin frenleme hareketi testere başını aniden aşağı yönde çekerek yaralanma riskine neden olabilir.

Ek güvenlik ve çalışma talimatları

Koruyucu kulaklık kullanın. Gürültü etkisi işitme kaybını etkiler. Aletle çalışırken daima koruyucu gözlük kullanın. Koruyucu iş eldivenleri, sağlam ve kaymaz ayakkabılar ve iş önlüğü kullanmanızı tavsiye ederiz.

Tahtalar uzun süre işlenirken veya sağlığa zararlı toz çıkaran malzemeler profesyonel olarak işlenirken alet uygun bir toz emme donanımına bağlanmak zorundadır. Profesyonel kullanıcılar diğer malzemelere ilişkin hükümleri yetkili meslek kuruluşu ile açıklığa kavuşturmak zorundadır.

Ahşap keserken testereyi bir elektrikli süpürgeye bağlayınız.

Koruyucu eldivenlerinizi takınız!

Aleti ilk kez kullanıyorsanız, önce kullanım kılavuzunu dikkatle okumanızı ve deneyimli birinin gözetiminde biraz çalışmanızı öneririz.

Daima makinenin durduğu yerin güvenli olmasını sağlayın (örneğin bir banka tutturun)

Üzerinde malzeme artıkları bulunan zemini, örneğin talaş ve testere atıkları, boş bulundurun.

Hasarlı veya şekli bozulmuş testere levhaları kullanmayın.

Tanıtım verileri bu kullanım kılavuzunda belirtilmemiş tertere bıçaklarını kullanmayın.

Yalnızca EN 847-1 normuna uygun takımların kullanılması gerekir.

Seri çalışma çeliğinden mamul bıçkı levhaları kullanmayın.

Kesilecek malzeme için uygun bıçkı levhası seçin.

Kullanılan takımın izin verilen devri, en az elektrikli cihaz üzerinde yazılı azami devir kadar yüksek olmalıdır. İzin verilen daha hızlı dönen aksesuar kırılabilir ve etrafa fırlayabilir.

Takımların uygun bir kap içinde taşınması ve saklanması gerekir.

Bıçkı levhasını, ekte bulunan ve kullanma talimatında belirtilen flanşa tutturarak kullanın.

Başlıklı bıçkı makinesini, işletme talimatında belirtilmeyen başka bir malzeme için kullanmayın.

Kapaklı testereyi sadece güvenli fonksiyonu bulunan ve bakımı iyi yapılmış koruyucu kask ile kullanın. Koruyucu kaskın kendiliğinden geriye doğru hareketli olması gerekir.

Makine çalışırken ve testere kafası sakın bir şekilde durmuyorken, testere testeresi ve testere sahasının tezgâhlarındaki diğer parçaları kaldırmayın.

Aletin tehlikeli olabilecek bölümlerini tutmayın.

Aletin koruyucu donanımını mutlaka kullanın.

Emniyet tertibatı veya bıçkı levhaları da dahil olmak üzere makineye tespit edilen hatalar, emniyet önlemleri için sorumlu kişiye bildirilecektir.

Hareketli koruyucu kapığı açık pozisyonda sıkımayın.

Destekleme için uzun tezgah sopası uygundur.

Başlıklı bıçkı makinesini, sadece elle tutulacak yerindeki emniyetli ve nakil dayanıklı tertibat ile nakledin.

Gönye, eğri ya da bileşik gönye kesme sırasında doğru bıçak mesafesini sağlamak için sürgülü kılavuzu ayarlayın.

Besleme hızını ayarlayarak testere diski dişlerinin aşırı ısınmasını ve plastik keserken malzemenin erimesini önleyiniz.



Tür

KULLANIM

Kapaklı testere masif ağaçların traşlanması için kullanılır, ahşap ve ahşap benzeri maddeleri ve plastik maddeleri ufalar.

Yuvarlak veya düzenli olmayan enine kesitli malzemeler (örneğin yanıcı odunlar) testere ile kesilemez, zira bunlar testere ile kesilirken güvenli bir şekilde tutulamaz. Düz malzemelerin yüksek kenarları testere ile kesilirken güvenli bir şekilde sevk ve idare edilebilmeleri amacıyla uygun bir yardımcı vuruş kullanılır.

KALAN TEHLİKELER

Ürün usulüne uygun kullanıldığında dâhil, kalan tehlikeler söz konusu olabilir. Kullanım sırasında aşağıda belirtilen riskler meydana gelebilir ve bu yüzden kullanıcının aşağıdaki hususlara dikkat etmesi gerekmektedir:

- İşitme zararlarını önlemek için maruz kalma süresi azaltılmalı ve uygun bir koruyucu kulaklık takılmalıdır
- Kullanıcı, titreşimlerin etkilerini ve maruz kalma süresini azaltmak için tedbirler almalıdır.
- Testere tozunun solunmasından dolayı oluşabilen sağlık risklerini önlemek için bir koruyucu solunum maskesi takılmalıdır.

AKÜ

Uzun süre kullanım dışı kalmış kartuş aküleri kullanmadan önce şarj edin.

50°C üzerindeki sıcaklıklar kartuş akünün performansını düşürür. Akünün güneş ışığı veya mekân sıcaklığı altında uzun süre ısınmamasına dikkat edin.

Şarj cihazı ve kartuş aküdeki bağlantı noktalarını temiz tutun.

Akünün ömrünün mükemmel bir şekilde uzun olması için kullandıktan sonra tamamen doldurulması gerekir.

Ömrünün mümkün olduğu kadar uzun olması için akülerin yüklemeye yapıldıktan sonra doldurma cihazından uzaklaştırılması gerekir.

Akünün 30 günden daha fazla depolanması halinde: Aküyü takriben 27°C'de kuru olarak depolayın. Aküyü yüklemeye durumunun takriben % 30 - %50 olarak depolayın. Aküyü her 6 ay yeniden doldurun.

LİTYUM İYON PİLLERİN TAŞINMASI

Lityum iyon piller tehlikeli madde taşımacılığı hakkındaki yasal hükümler tabidir.

Bu piller, bölgesel, ulusal ve uluslararası yönetmeliklere ve hükümlere uyularak taşınmak zorundadır.

Tüketiciler bu pilleri herhangi bir özel şart aranmaksızın karayoluyla taşıyabilirler.

Lityum iyon pillerin nakliye şirketleri tarafından ticari taşımacılığı için tehlikeli madde taşımacılığının hükümleri geçerlidir. Sevk hazırlığı ve taşıma sadece ilgili eğitimi görmüş personel tarafından gerçekleştirilebilir. Bütün süreç uzmanca bir refakatçilik altında gerçekleştirilmelidir.

Pillerin taşınması sırasında aşağıdaki hususlara dikkat edilmesi gerekmektedir:

Kısa devre oluşmasını önlemek için kontakların korunmuş ve izole edilmiş olması sağlanmalıdır. Pili paketinin ambalajı içinde kaymamasına dikkat ediniz. Hasarlı veya akmış pillerin taşınması yasaktır. Ayrıca bilgiler için nakliye şirketinize başvurunuz.

AKÜNÜN AŞIRI YÜKLENMEYE KARŞI KORUNMASI

Pek fazla elektrik tüketiminden dolayı, örneğin aşırı fazla devir momentleri, aniden durma veya kısa devre gibi aküye aşırı yüklenme durumunda elektro cihazı 5 saniye titreşir, yükleme göstergesi yanıp söner ve elektro cihaz kendiliğinden durur. Yeniden çalıştırmak için şalter basısını serbest bırakın ve ardından sonra tekrar çalıştırın.

Akü aşırı yüklenmeden dolayı fazla ısınır. Bu durumda akü soğuyana kadar yüklemeye göstergesinin bütün lambaları yanıp söner. Gösterge lambalarının sönmelerinden sonra tekrar çalışmaya devam edilebilir.

Akü yük tekrar doldurmak ve aktif hale getirmek amacı ile şarja bağlayın.

BAKIM

Aletin kendinde bir çalışma yapmadan önce kartuş aküyü çıkarın.

Testere bıçağını takmadan veya çıkarmadan önce aletin fişini güç kaynağından çektiğinizden emin olun.

Kullanılmış ve aşınmış tezgah desteğini yenisi ile değiştirin.

Cihazı ve koruyucu tertibatı kuru bir bezle temizleyiniz.

Aletin havalandırma aralıklarını daima temiz tutun.

Sadece Milwaukee aksesuarı ve yedek parçası kullanın. Nasıl değiştirileceği açıklanmamış olan yapı parçalarını bir Milwaukee müşteri servisinde değiştirin (Garanti ve servis adresi broşürüne dikkat edin).

Gerektiği takdirde aletin dağılık görünüş şeması, alet tipinin ve tip etiketi üzerindeki sayının bildirilmesi koşuluyla müşteri servisinde veya doğrudan Techtronic Industries GmbH, Max-Eyth-Straße 10, 71364 Winnenden, Germany adresinden istenebilir.

CE UYGUNLUK BEYANI

"Teknik veriler" başlığı altında tanımlanan ürünün, sayılı direktiflerdeki tüm hükümleri

2011/65/EU (RoHS)

2006/42/EC

2014/30/EU

uyumlaştırılmış standartları

EN 62841-1:2015

EN 62841-3-9:2015

EN 55014-1:2006+A1:2009+A2:2011

EN 55014-2:2015

EN 61326-1:2013

EN 50581:2012



Winnenden, 2016-08-19

Alexander Krug / Managing Director

Teknik evrakları hazırlamakla görevlendirilmiştir.

Techtronic Industries GmbH

Max-Eyth-Straße 10, 71364 Winnenden, Germany

SEMBOLLER



DİKKAT! UYARI! TEHLİKE!



Aletin kendinde bir çalışma yapmadan önce kartuş aküyü çıkarın.



Lütfen aleti çalıştırmadan önce kullanma kılavuzunu dikkatli biçimde okuyun.



Aletle çalışırken daima koruyucu gözlük kullanın.



Koruyucu kulaklık kullanın!



Koruyucu eldivenlerinizi takınız!



Tehlikeli alan! Ellerinizi, parmaklarınızı veya kollarınızı mümkün olduğu kadar bu alandan uzak tutun.



Makineyi yağmur altında tutmayın.



DİKKAT! Yanmakta olan lambaya bakmayın.



Elektrikli cihazların evsel atıklarla birlikte bertaraf edilmesi yasaktır. Elektrikli ve elektronik cihazlar ayrılarak biriktirilmeli ve çevreye zarar vermeden bertaraf edilmeleri için bir atık değerlendirme tesisine götürülmelidirler. Yerel makamlara veya satıcınıza geri dönüşüm tesisleri ve atık toplama merkezlerinin yerlerini danışınız.



CE işareti



UkrSEPRO Uyumluluk işareti



EurAsian Uyumluluk işareti



Tür

Technická data Pokosové pily	M18 FMS254
Výrobní číslo	4569 52 01... ...000001 - 999999
Volnoběžné otáčky	4000 min ⁻¹
Napětí výměnného akumulátoru	18 V
Pilový kotouč ø x díra ø	254 x 30 mm
Tloušťka čepele těla pily max.	2 mm
Tloušťka čepele zubů pily min.	2,8 mm
Šířka řezu max. Pokos 0°/ Sklon 0° Pokos 45°/ Sklon 0° Pokos 0°/ Sklon 45° Pokos 45°/ Sklon 45°	91 x 289 mm 91 x 205 mm 51 x 289 mm 51 x 205 mm
Hmotnost podle prováděcího předpisu EPTA 01/2003 (Li-Ion 5,0 Ah)	20,0 kg
Informace o hluku Naměřené hodnoty odpovídají EN 62841. V třídě A posuzovaná hladina hluku přístroje činí typicky: Hladina akustického tlaku (Kolisavost K=3dB(A)) Hladina akustického výkonu (Kolisavost K=3dB(A)) Používejte chrániče sluchu !	90,5 db(A) 101,5 db (A)



Čes

VAROVÁNÍ Přečtěte si všechny bezpečnostní pokyny, instrukce, popisy a údaje, které obdržíte s přístrojem. Zanedbání při dodržování varovných upozornění a pokynů mohou mít za následek úder elektrickým proudem, požár a nebo těžká poranění.

Všechna varovná upozornění a pokyny do budoucna uschovejte.

BEZPEČNOSTNÍ INSTRUKCE PRO POKOSOVÉ PILY

a) Pokosové pily jsou vroubkované pro řezání dříví nebo výrobků podobných dřevu, nemohou být použity s brusnými kotouči pro řezání kovových materiálů jako např. tyče, kulatiny, čepy, atd. Brusný prach způsobuje zadření pohyblivých částí (např. spodní kryt). Jiskry od brusného prachu zapálí spodní kryt, řeznou vodičí spáru a další plastové díly.

b) Pokud je to možné, použijte svorky pro připevnění zpracovávaného kusu. Pokud zpracovávaný kus přidržujete rukou, vaše ruka musí být nejméně 100 mm od pilového kotouče. Nepoužívejte tuto pilu k řezání příliš malých kousků, které nejsou pevně přidržet rukou. Pokud je ruka příliš blízko pilového kotouče, je zde riziko poranění kvůli možnému kontaktu ruky a kotouče.

c) Zpracovávaný kus musí být stacionární a musí být správně připevněn nebo držen jak na ochranném rámu, tak i na pracovním stole. Nestrkejte zpracovávaný kus přímo proti kotouči a v žádném případě jej nikdy nedržte pouze ve vzduchu v ruce. Nepřipevněný a pohybující se zpracovávaný kus může nabýt velké rychlosti a způsobit zranění vám, nebo třetím osobám.

d) Tlačte pilu skrze zpracovávaný kus. Netahejte pilu skrze zpracovávaný kus. Pro řez zvedněte hlavu pily a bez řezání jí přes zpracovávaný kus vytáhněte, spusťte motor, tlačte hlavu pily dolů a tlačte pilu skrze zpracovávaný kus. Řezání tlačněním pravděpodobně způsobí, že kotouč pily vyjede na horní straně zpracovávaného kusu a prudce hodí celou pilou směrem k obsluze.

e) Nikdy nekřížte ruce nad zamýšleným řezem před nebo za kotoučem pily. Přidržení zpracovávaného kusu „přes ruku“ tzv.

držení zpracovávaného kusu na pravé straně kotoučem pily a na levé straně vaší rukou (nebo naopak) je velmi nebezpečné.

f) Nešahaňte kvůli odstranění dřevěných pilin, nebo z jiného důvodu, žádnou rukou za ochranných rám blíže než 100 mm od pilového kotouče, když se ještě pilový kotouč točí. Blízkost pilového kotouče u vaší ruky nemusí být zřejmá a může způsobit vážná zranění.

g) Před řezáním zkontrolujte zpracovávaný kus. Pokud je tento kus vyboulený nebo pokroucený, připevněte jej vyboulenou stranou k ochrannému rámu. Vždy se ujistěte, že se mezi ve směru řezu mezi zpracovávaným kusem, ochranným rámem a pracovním stolem nenachází žádná mezera. Ohnuté nebo pokroucené zpracovávané kusy se mohou kroutit nebo zvednout a mohou se při řezání navázat na samotný kotouč.

h) Nepoužívejte pilu, dokud není stůl zcela prost všeho nářadí, zbytků dřeva atp., s výjimkou zpracovávaného kusu. Drobné nečistoty nebo uvolněné kousky dřeva, či jiného objektu, které jsou v kontaktu s otáčivým ostřím, mohou být vrženy vysokou rychlostí.

i) Řezajte vždy pouze jeden zpracovávaný kus. Skládané vícenásobné zpracovávané kusy nelze dostatečně sevřít nebo jinak připevnit a mohou se přichytit na ostří kotouče nebo během řezání posunout.

j) Před použitím se ujistěte, že pokosová pila je namontovaná a umístěna na úrovni pevné pracovní plochy. Úroveň pevné pracovní desky snižuje riziko nestability pokosové pily.

k) Naplánujte si svou práci. Vždy změňte zkosení nebo nastavení úhlu pokosu. Ujistěte se, že nastavitelný plot je správně nastaven pro uchycení zpracovávaného kusu a nebude v konfliktu s ostřím nebo systémem ochranných krytů. Bez zapnutého tlačítka "ON" a bez zpracovávaného kusu na pracovním stole posuňte čepel pily po dráze simulovaného řezu aby jste zjistili, že zde nehrozí žádný kontakt nebo nebezpečí přezitnutí plotu.

Česky

l) Poskytněte odpovídající uchycení, jako rozšíření pracovního stolu, podpěrné kozy, atd. pro zpracovávaný kus, který je širší nebo delší, než deska pracovního stolu. Zpracovávaný kus delší nebo širší, než deska pracovního stolu, se může ohnout, pokud není správně podepřen. Pokud se část zpracovávaného kusu ohne, může být tento kus zvednut na spodní kryt nebo být hozen na rotující ostří kotouče.

m) Nepoužívejte jinou osobu jako náhradu za prodloužení stolu nebo jako další podporu. Nestabilní uchycení zpracovávaného kusu může způsobit zaseknutí ostří nebo posunutí zpracovávaného kusu, což hodí vás nebo vašeho pomocníka přímo na ostří kotouče.

n) Uříznutý kousek se nesmí vzpříčit nebo být vlisován jakýmkoliv způsobem proti otáčejícímu se řeznému kotouči. Při omezení, tj. pomocí dorazů, se může uříznutý kus zaklínit proti čepeli.

o) Vždy používejte svorky nebo držák navržený tak, aby správně přichytil kulatý materiál, jako jsou tyče nebo potrubí. Tyče mají tendenci se valit, zatímco se kotouč „zakousne“ a vystřelí vaši práci, i vaše ruce, přímo proti čepeli.

p) Před kontaktem se zpracovávaným kusem nechte disk roztočit na plnou rychlost. Tím se sníží riziko vymrštění zpracovávaného kusu.

q) Pokud zpracovávaný kus nebo čepel uvízne, vypněte pilu. Vyčkejte, dokud se všechny pohyblivé části úplně nezastaví a odpojte zástrčku od zdroje napájení/ nebo vyjměte akumulátor. Poté můžete uvolnit zpřícený materiál. Pokud budete pokračovat v řezání se vzpříčeným materiálem, můžete ztratit kontrolu nad přístrojem nebo poškodit pokosovou pilu.

r) Po skončení řezání uvolněte spinač, držte hlavu pily směrem dolů a před vyndáním řezaného kousku počkejte, než se čepel zastaví. Je nebezpečné nechat ruce v blízkosti dobíhajícího kotouče.

s) Pevně držte rukojeť při provádění neúplného řezu nebo při uvolnění tlačítka, než se hlava pily kompletně přesune do spodní polohy. Brzdný účinek pily může způsobit, že je hlava pily náhle tažena směrem dolů, což zvyšuje riziko zranění.

Další bezpečnostní a pracovní pokyny

Používejte chrániče sluchu. Nadměrný hluk může vést ke ztrátě sluchu.

Při práci se strojem neustále nosit ochranné brýle. Doporučuje se používat ochranné rukavice, pevnou protiskluzovou obuv a zástěru. Prach vznikající při práci bývá zdraví škodlivý, a proto by se neměly vdechat. Používejte odsávání prachu a navíc se chraňte vhodnou ochrannou maskou. Usazený prach dobře odstraňte, např. odsátím. Při řezání dřeva připojte pilu k vysavači.

Používejte ochranné rukavice!

Před prvním použitím stroje doporučujeme pečlivě pročíst návod k používání a seznámit se s praktickou obsluhou.

Zajistěte stabilní polohu stroje (například upevněním na pracovní stůl).

Udržujte čistotu a pravidelně zametejte piliny a odřezky.

Nepoužívejte poškozené nebo deformované pilové listy.

Pilové kotouče, které neodpovídají požadavkům podle tohoto návodu se nesmí používat.

Je povoleno používat jen nástroje, které splňují EN 847-1.

Nepoužívejte pilové listy vyrobené z rychlořezné oceli

Vyberte pilový list vhodný k řezání vybraného materiálu

Přípustný počet otáček vkládaného nástroje musí být minimálně stejně vysoký jako maximální počet otáček uvedený na elektrickém nářadí. Příslušenství, které se točí rychleji, než je přípustné, se může rozbit a rozletět do okolí.

Nářadí se musí přepravovat a přechovávat ve vhodné schránce.

K upevnění pilového listu používejte výhradně příruby zobrazené v návodu k obsluze.

Kapovací pilu nikdy nepoužívejte k řezání jiných než v návodu k obsluze uvedených materiálů.

Zkracovací pilu používejte jen s bezpečně fungujícím a dobře udržovaným ochranným příklonem. Ochranný příklon se musí samočinně vracet.

Neodstraňujte odřezky a jiné zbytky materiálu z řezného prostoru dokud pila běží a řezná hlava je v pohybu.

Nesahejte do nebezpečného prostoru běžícího stroje.

Bezpodmínečně používat ochranná zařízení přímočaré pily.

Závady na stroji, ochranném zařízení nebo pilových listech musí být ihned po zjištění nahlášeny osobě zodpovědné za bezpečnost.

Pohyblivé ochranné prvky se nesmí aretovat v otevřené pozici.

Dlouhé obrobky vhodným způsobem podepřete.

Kapovací pilu přepravujte vždy jen s aretovanou přepravní pojistkou v rukojeti.

Při provádění pokosu, úkosu nebo složených pokosových řezů nastavte posuvnou tyč pro zajištění správné vzdálenosti od čepelce.

Pomocí přiměřené rychlosti posuvu zabraňte přehřátí zubů pilového listu a při řezání plastů také tavení materiálu.

OBLAST VYUŽITÍ

Zkracovací pila se používá k řezání masivního dřeva, klíženého dřeva, materiálu s podobnými vlastnostmi a plastu.

Řezivo s kruhovým nebo nepravidelným průřezem (např. palivové dříví) se nesmí řezat, protože je nelze bezpečně fixovat. Při řezání plochého materiálu na výšku se k bezpečnému vedení musí používat vhodná pomocná zarážka.

ZBÝVAJÍCÍ RIZIKA

Dokonce ani při řádném používání výrobku podle předpisů se nedají zcela vyloučit zbývající rizika. Při používání mohou vzniknout následující rizika, a proto by obsluha měla dodržovat následující pokyny:

- Aby se zabránilo poruchám sluchu, je třeba omezit dobu expozice a je nutné používat vhodnou ochranu sluchu.
- Obsluha by měla provést taková opatření, aby se zredukovaly důsledky vibrací a omezila se doba expozice.
- Je třeba nosit ochrannou respirační masku, aby se předešlo rizikům poškození zdraví, která mohou vzniknout vdechnutím prachu z řezání.

AKUMULÁTORY

Déle nepoužívané akumulátory je nutné před použitím znovu nabít.

Teplota přes 50°C snižuje výkon akumulátoru. Chraňte před dlouhým přehříváním na slunci či u topení.

Kontakty nabíječky a akumulátoru udržujte v čistotě.

Pro optimální životnost je nutné akumulátory po použití plně dobít.

K zabezpečení dlouhé životnosti by se akumulátory měly po nabití vyjmout z nabíječky.

Při skladování akumulátoru po dobu delší než 30 dní: Skladujte akumulátor v suchu při cca 27°C. Skladujte akumulátor při cca



30%-50% nabíjecí kapacity. Opakujte nabíjení akumulátoru každých 6 měsíců.

PŘEPRAVA LITHIUM-IONTOVÝCH BATERIÍ

Lithium-iontové baterie spadají podle zákonných ustanovení pod přepravu nebezpečného nákladu.

Přeprava těchto baterií se musí realizovat s dodržováním lokálních, vnitrostátních a mezinárodních předpisů a ustanovení.

Spotřebitelé mohou tyto baterie bez problémů přepravovat po komunikacích.

Komerční přeprava lithium-iontových baterií prostřednictvím přepravních firem podléhá ustanovením o přepravě nebezpečného nákladu. Přípravu k vyexpedování a samotnou přepravu směji vykonávat jen příslušně vyškolené osoby. Na celý proces se musí odborně dohlížet.

Při přepravě baterií je třeba dodržovat následující:

Zajistěte, aby kontakty byly chráněné a izolované, aby se zamezilo zkratům. Dávejte pozor na to, aby se svazek baterií v rámci balení nemohl sesmeknout. Poškozené a vyteklé baterie se nesmějí přepravovat. Ohledně dalších informací se obraťte na vaši přepravní firmu.

OCHRANA PROTI PŘETÍŽENÍ AKUMULÁTORU

Při přetížení akumulátoru příliš vysokou spotřebou proudu, například při extrémně vysokém kroutícím momentu, začne elektrické nářadí po dobu 5 sekund vibrovat, indikátor dobití začne blikat a motor se následně samičinně vypne.

K opětnému zapnutí uvolněte a následně opět stisknete tlačítkový vypínač.

Při extrémním zatížení dochází k příliš vysokému ohřevu akumulátoru. V tomto případě začnou blikat všechny kontrolky indikátoru dobití a blikají tak dlouho, dokud se akumulátor opět neochladí. V okamžiku, kdy indikátor dobití přestane blikat, je možné v práci opět pokračovat.

Akumulátor v tomto případě k dobití a aktivaci vložte opět do nabíječky.

ÚDRŽBA

Před zahájením veškerých prací na vrtacím šroubováku vyjmout výměnný akumulátor.

Ujistěte se, že jste pilu odpojily od zdroje napájení před montáží a demontáží pilového kotouče.

Vyměňte opotřebovanou stolní vložku.

Přístroj a ochranný kryt čistěte suchým hadříkem.

Větrací šterbiny nářadí udržujeme stále čisté.

Používat výhradně příslušenství Milwaukee a náhradní díly Milwaukee. Díly jejichž výměny nebyla popsána, nechte vyměnit v autorizovaném servisu (viz. "Záruky / Seznam servisních míst")

Při potřebě podrobného rozkresu konstrukce, oslovte informaci o typu a čísle přímo servis a nebo výrobce, Techtronic Industries GmbH, Max-Eyth-Straße 10, 71364 Winnenden, Germany.

CE-PROHLÁŠENÍ O SHODĚ

Prohlašujeme na naši výhradní odpovědnost, že produkt popsán v části „Technické údaje“ splňuje všechna příslušná ustanovení směrnice

2011/65/EU (RoHS)

2006/42/ES

2014/30/EU

a byly použity následující harmonizované normy

EN 62841-1:2015
EN 62841-3-9:2015
EN 55014-1:2006+A1:2009+A2:2011
EN 55014-2:2015
EN 61326-1:2013
EN 50581:2012



Winnenden, 2016-08-19

Alexander Krug / Managing Director
Zplnomocněn k sestavování technických podkladů.

Techtronic Industries GmbH
Max-Eyth-Straße 10, 71364 Winnenden, Germany

SYMBOLY



POZOR! VAROVÁNÍ! NEBEZPEČÍ!



Před zahájením veškerých prací na vrtacím šroubováku vyjmout výměnný akumulátor.



Před spuštěním stroje si pečlivě pročtěte návod k používání.



Při práci se strojem neustále nosit ochranné brýle.



Používejte chrániče sluchu!



Používejte ochranné rukavice!



Nebezpečná oblast! Mějte ruce, prsty nebo paže co možná nejdále od této oblasti.



Nevystavujte stroj dešti.



POZOR! Nedívejte se přímo do zapnuté lampy.



Elektrické přístroje se nesmí likvidovat společně s odpadem z domácnosti. Elektrické a elektronické přístroje je třeba sbírat odděleně a odevzdat je v recyklačním podniku na ekologickou likvidaci. Na místních úřadech nebo u vašeho specializovaného prodejce se informujte na recyklační podniky a sběrné dvory.



Značka CE



UKRSEPRO značka shody



Euroasijská značka shody



Čes

Česky

Technické údaje Ťažná kapovacia píla	M18 FMS254
Výrobné číslo	4569 52 01... ...000001 - 999999
Otáčky naprázdno	4000 min ⁻¹
Napätie výmenného akumulátora	18 V
Priemer pílového listu x priemer diery	254 x 30 mm
Hrúbka tela plátu píly max.	2 mm
Hrúbka zubu plátu píly min.	2,8 mm
Šírka rezu max.	
Uhly zošikmenia horizontálne 0°/ Naklon 0°	91 x 289 mm
Uhly zošikmenia horizontálne 45°/ Naklon 0°	91 x 205 mm
Uhly zošikmenia horizontálne 0°/ Naklon 45°	51 x 289 mm
Uhly zošikmenia horizontálne 45°/ Naklon 45°	51 x 205 mm
Hmotnosť podľa vykonávacieho predpisu EPTA 01/2003 (Li-Ion 5,0 Ah)	20,0 kg
Informácia o hluku Namerané hodnoty určené v súlade s EN 62841. V triede A posudzovaná hladina hluku prístroja činí typicky: Hladina akustického tlaku (Kolísavosť K=3dB(A)) Hladina akustického výkonu (Kolísavosť K=3dB(A))	90,5 db (A) 101,5 db (A)
Používajte ochranu sluchu!	

⚠ POZOR Prečítajte si všetky bezpečnostné upozornenia, pokyny, vyobrazenia a údaje, ktoré dostanete spolu s prístrojom. Zanedbanie dodržiavania výstražných upozornení a pokynov uvedených v nasledujúcom texte môže mať za následok zásah elektrickým prúdom, spôsobiť požiar a/alebo ťažké poranenie. Tieto výstražné upozornenia a bezpečnostné pokyny starostlivo uschovajte na budúce použitie.

⚠ BEZPEČNOSTNÉ POKYNY PRE POKOSOVÉ PÍLY

a) Pokosové píly sú určené na rezanie dreva alebo výrobkov podobných drevu, nemožno ich používať s brúseno-reznými kotúčmi na rezanie železiarskeho materiálu, ako sú tyče, tyčky, čapy, atď. Brúsený prach spôsobuje zasekávanie pohyblivých častí, ako napr. spodný kryt. Iskry od brúsneho rezania budú spaľovať spodný kryt, škárovú vložku a ďalšie plastové diely.

b) Používajte svorky na podopieranie obrobku vždy, keď je to možné. Ak podopierate obrobok ručne, musíte mať vždy vašu ruku najmenej 100 mm od oboch strán pílového kotúča. Nepoužívajte túto pílu na rezanie kusov, ktoré sú príliš malé na to, aby boli bezpečne zovreté alebo držané v ruke. Ak je vaša ruka umiestnená príliš blízko k pílovému kotúčom, existuje zvýšené riziko poranenia pri kontakte s kotúčom.

c) Obrobok sa nesmie pohybovať a musí byť zovretý alebo držaný oproti dorazu a stolu. Neprívádzajte obrobok ku kotúčom, ani v žiadnom prípade nerezte bez držania rukou. Neprípevné alebo pohyblivé obrobky by mohli byť odhodnené pri vysokých rýchlostiach a spôsobiť zranenie.

d) Tlačte pílu cez obrobok. Neťahajte pílu cez obrobok. Ak chcete urobiť rez, zdvihnite hlavu píly a vytiahnite ju ponad obrobok bez rezania, spustíte motor, stlačte hlavu píly dole a tlačte pílu cez obrobok. Rezanie ťahaním pravdepodobne spôsobí, že pílový kotúč vystúpi hore na vrch obrobku a prudko hodí kotúčovú zostavu smerom k obsluhu.

e) Nikdy nekrížujte Vašu ruku nad zamýšľanou líniou rezu ani pred, ani za pílovým kotúčom. Podopieranie obrobku „s prekříženou rukou“, t.j. držanie obrobku na pravej strane pílového kotúča ľavou rukou alebo naopak je veľmi nebezpečné.

f) Nesiahajte za doraz ani rukou bližšie ako 100 mm od oboch strán pílového kotúča s cieľom odstrániť drevené zvyšky, ani z akéhokoľvek iného dôvodu, keď sa kotúč otáča. Blízkosť otáčajúceho sa pílového kotúča k vašej ruke nemusí byť zrejmalá a môžete sa vážne zraniť.

g) Pred rezaním obrobok skontrolujte. Ak je obrobok zohnutý alebo skrivený, pripevnite ho vonkajšou zohnutou stranou smerom k dorazu. Vždy sa uistite, že neexistuje žiadny voľný priestor medzi obrobkom, dorazom a stolom pozdĺž línie rezu. Zohnuté alebo skrivené obrobky sa môžu skrútiť alebo posunúť a môžu spôsobiť omotanie sa na otáčajúcom sa pílovom kotúči pri rezaní. V obrobku by nemali byť žiadne klice ani cudzie predmety.

h) Nepoužívajte pílu, kým nie je stôl čistý od všetkého náradia, drevených zvyškov, atď., s výnimkou pre obrobok. Malé úlomky alebo uvoľnené kusy dreva alebo iných predmetov, ktoré sa dostanú do kontaktu s otáčavým kotúčom, môžu byť odhodnené vysokou rýchlosťou.

i) Naraz reže iba jeden obrobok. Viac naskladaných obrobkov nemožno dostatočne upevniť ani zopnúť a môžu sa omotať na čepeli či posunúť počas rezania.

j) Pred použitím sa uistite, že pokosová píla je namontovaná alebo umiestnená na rovnej, pevnej pracovnej ploche. Rovná a pevná pracovná plocha znižuje riziko, že pokosová píla bude labilná.

k) Plánujte si svoju prácu. Zakaždým, keď zmeníte nastavenie uhla skosenia alebo pokosu, uistite sa, že nastaviteľný doraz je správne nastavený k podopieraniu obrobku a nebude interferovať skotúčeným alebo ochranným systémom. Bez prepnutia nástroja do polohy „ZAP“ a bez obrobku na stole posúvajte pílový kotúč úplne simulovaným rezom, aby ste zaistili, že neexistuje žiadna prekážka ani nebezpečenstvo rezania dorazu.

l) Zabezpečte príslušné podopieranie, ako sú prídavné časti stola, kozy na rezanie, atď. pre obrobok, ktorý je širší alebo dlhší ako vrchná časť stola. Obrobky dlhšie alebo širšie než stôl pokosovej píly sa môžu nakloniť, ak nie sú riadne



Slov

podopreté. V prípade, že odrezaný kus alebo obrobok sa nakloní, môže to zdvihnúť spodný kryt alebo môže byť odhodnený otáčajúcou sa čepelou.

m) Nevyužívajte inú osobu ako náhradu za prídavnú časť stola alebo ako dodatočné podopieranie. Nestabilné podopretie obrobku môže spôsobiť omotanie na čepeli alebo posunutie obrobku počas procesu rezania, čím môže dôjsť k ťahaniu vás a pomocníka do otáčajúcej sa čepele.

n) Odrezaný kus nesmie byť zaseknutý ani pritlačený akýmikoľvek prostriedkami proti otáčajúcejmu sa pílovému kotúču. V prípade obmedzenia, tj. pomocou dorazov, sa odrezaný kus môže zaklinovať proti čepeľi a prudko odhodiť.

o) Vždy použite svorku alebo prípravok určený pre správne podopretie guľatiny, ako sú tyče alebo rúrky. Tyče majú pri rezaní tendenciu valiť sa, čo spôsobuje zovretie kotúčom a ťahanie vašej ruky do kotúča.

p) Nechajte kotúč dosiahnuť plnú rýchlosť pred dotykom obrobku. Tým sa zníži riziko odhodenia obrobku.

q) Ak dôjde k zaseknutiu obrobku alebo kotúča, vypnite pokosovú pílu. Počkajte, kým sa všetky pohyblivé časti zastavia a odpojte zástrčku od zdroja napájania a/alebo vyberte akumulátor. Potom pracujte na uvoľnení zaseknutého materiálu. Pokračovanie v rezaní, keď je obrobok zaseknutý, by mohlo spôsobiť stratu kontroly alebo poškodenie pokosovej píly.

r) Po dokončení rezu uvoľnite spínač, držte pílu dole hlavou a čakajte na zastavenie kotúča pred vybratím odrezaného kusu. Siahanie rukou v blízkosti dobiehajúceho kotúča je nebezpečné.

s) Uchopte pevne rukoväť pri neúplnom reze alebo pri uvoľnení spínača pred tým, než je hlava píly úplne v dolnej pozícii. Brzdny účinok píly môže spôsobiť, že hlava píly bude náhle ťahaná smerom nadol, čo spôsobuje riziko zranenia.

Ďalšie bezpečnostné a pracovné pokyny

Používajte ochranu sluchu. Nadmerný hluk môže viesť k strate sluchu.

Pri práci so strojom vždy noste ochranné okuliare. Odporúčame ochranné rukavice, pevnú protišmykovú obuv a zásteru.

Prach, ktorý vzniká pri práci je často zdraviu škodlivý a nemá by sa dostať do tela. používajte odsávac prachu a noste vhodnú masku proti prachu. Uskladnený prach dôkladne odstráňte, napr. vysať.

Pri pilení dreva pripojte pílu k vysávaču.

Používajte ochranné rukavice!

Pred prvým použitím prosím prečítať návod na použitie a nechať si predviesť ako sa narába s náradím

Zaistite stabilnú polohu stroja (napríklad upevnením na pracovný stôl).

Udržujte čistotu a pravidelne zametajte piliny a odrezky.

Nepoužívajte poškodené alebo deformované pílové listy.

Pílové listy, ktoré nezodpovedajú charakteristikám uvedeným v návode na použitie, nesmú sa použiť.

Je dovolené používať iba nástroje, ktoré zodpovedajú norme EN 847-1.

Nepoužívajte pílové listy, vyrobené z rýchlorzenej ocele.

Vyberte si pílový list vhodný na rezanie vybraného materiálu.

Pripustné otáčky pracovného nástroja musia byť minimálne také vysoké ako najvyššie otáčky uvedené na elektrickom náradí. Príslušenstvo, ktoré sa otáča rýchlejšie, sa môže zlomiť a rozletieť.

Nástroje sa musia prepravovať a skladovať vo vhodnom obale;

Na upevnenie pílového listu používajte výhradne príruby zobrazené v návode na používanie.

Skracovacia pílu nikdy nepoužívajte na rezanie iných materiálov než aké sú uvedené v návode na obsluhu.

Skracovacia pílu používajte len s bezpečne fungujúcim a dobre udržiavaným ochranným príklopom. Ochranný príklop sa musí samočinne vracat'.

Neodstraňujte odrezky a iné zvyšky materiálu z rezného priestoru, pokiaľ píla beží a rezná hlava je v pohybe.

Nesiahať do nebezpečnej oblasti bežiaceho stroja.

Ochranné zariadenie stroja bezpodmienečne používať
Závady na stroji, na ochrannom zariadení alebo na pílových listoch treba ihneď po zistení nahlásiť osobe zodpovednej za bezpečnosť.

Ochranný kryt nesmie byť fixovaný vo vychýlenom stave.

Dlhé obrobky vhodným spôsobom podoprite.

Skracovacia pílu prepravujte vždy len s aretovanou prepravou poistkou na rukoväti.

Pri vykonávaní pokosu, úkosu alebo zložených pokosových rezov nastavte posuvné vodidlo, aby sa zabezpečila správna vzdialenosť od čepele.

Prostredníctvom primeranej rýchlosti posuvu zamedzte prehriatie zubov pílového listu a pri rezaní plastov aj taveniu materiálu.

POUŽITIE PODĽA PREDPISOV

Skracovacia píla sa používa k rezaniu masívneho dreva, glejeného dreva, materiálu s podobnými vlastnosťami a plastu.

Rezivo s kruhovým alebo nepravidelným prierezom (napr. palivové drevo) sa nesmie rezať, pretože ho nie je možné bezpečne fixovať. Pri rezaní plochého materiálu na výšku sa k bezpečnému vedeniu musí používať vhodná pomocná zarážka.

ZVÝŠKOVÉ RIZIKÁ

Dokonca ani pri riadnom používaní výrobku podľa predpisov sa nedajú úplne vylúčiť zvyškové riziká. Pri používaní môžu vzniknúť nasledujúce riziká, a preto by obsluha mala dodržiavať nasledovné pokyny:

- Aby sa zamedzilo poruchám sluchu, treba obmedziť dobu expozície a treba nosiť vhodnú ochranu sluchu.
- Obsluha by mala uskutočniť také opatrenia, aby sa zredukovali dôsledky vibrácií a obmedzila sa doba expozície.
- Treba nosiť ochrannú respiračnú masku, aby sa predišlo rizikám poškodenia zdravia, ktoré môžu vzniknúť vdýchnutím prachu z pilenia.

AKUMULÁTORY

Dlhší čas nepoužívané výmenné akumulátory pred použitím dobíť.

Teplota vyššia ako 50°C znižuje výkon výmenného akumulátora.

Zabráňte dlhšiemu ohriatiu slnkom alebo kúrením.

Pripájacie kontakty na nabíjacom zariadení a výmennom akumulátore udržiavať čisté.

Pre optimálnu životnosť je nutné akumulátory po použití plne dobíť.

K zabezpečeniu dlhjej životnosti by sa akumulátory mali po nabití vybrať z nabíjачky.



Pri skladovaní akumulátora po dobu dlhšiu než 30 dní: Skladujte akumulátor v suchu pri cca 27°C. Skladujte akumulátor pri cca 30%-50% nabitíjacej kapacity. Opakujte nabíjanie akumulátora každých 6 mesiacov.

PREPRAVA LÍTIOVO-IÓNOVÝCH BATÉRIÍ

Lítiovo-iónové batérie podľa zákonných ustanovení spadajú pod prepravu nebezpečného nákladu.

Preprava týchto batérií sa musí realizovať s dodržiavaním lokálnych, vnútroštátnych a medzinárodných predpisov a ustanovení.

Spotrebiteľia môžu tieto batérie bez problémov prepravovať po cestách.

Komerčná preprava lítiovo-iónových batérií prostredníctvom špedičných firiem podlieha ustanoveniam o preprave nebezpečného nákladu. Prípravu k vyexpedovaniu a samotnú prepravu smú vykonávať iba adekvátne vyškolené osoby. V celý proces sa musí odborne dohliadať.

Pri preprave batérií treba dodržiavať nasledovné:

Zabezpečte, aby boli kontakty chránené a izolované, aby sa zamedzilo skratom. Dávajte pozor na to, aby sa zvások batérií v rámci balenia nemohol zošmyknúť. Poškodené a vytečené batérie sa nesmú prepravovať. Kvôli ďalším informáciám sa obráťte na vašu špedičnú firmu.

OCHRANA PROTI PREŤAŽENIU AKUMULÁTORA

Pri preťažení akumulátora príliš vysokou spotrebou prúdu, napríklad pri extrémne vysokom krútiacom momente, začne elektrické náradie po dobu 5 sekúnd vibrovať, indikátor dobijania začne blikať a motor sa následne samočinne vypne.

K opätovnému zapnutiu uvoľníte a následne opäť stlačíte tlačidlovú vypínač.

Pri extrémnom zatažení dochádza k príliš vysokému ohrevu akumulátora. V tomto prípade začnú blikať všetky kontrolky indikátora dobijania a blikajú tak dlho, dokiaľ sa akumulátor opäť neochladí. V okamihu, keď indikátor dobijania prestane blikať, je možné v práci opäť pokračovať.

Akumulátor v tomto prípade k dobitiu a aktivácii vložte opäť do nabíjačky.

ÚDRŽBA

Pred každou prácou na stroji výmenný akumulátor vytiahnuť.

Vždy odpojte nástroj od elektrickej siete pred montážou alebo demontážou ostria píly.

Vymeňte opotrebovanú stôlnu vložku.

Prístroj a ochranné zariadenie čistite suchou handričkou.

Vetracie otvory udržiavať stále v čistote.

Používať len Milwaukee príslušenstvo a Milwaukee náhradné diely. Súčiastky bez návodu na výmenu treba dať vymeniť v jednom z Milwaukee zákazníckych centier (viď brožúru Záruka/Adresy zákazníckych centier).

Pri udaní typu stroja a čísla nachádzajúceho sa na štítku dá sa v prípade potreby vyžiadať explozívna schéma prístroja od vášho zákazníckeho centra alebo priamo v Techtronic Industries GmbH, Max-Eyth-Straße 10, 71364 Winnenden, Germany.

CE - VYHLÁSENIE KONFORMITY

Na našu výhradnú zodpovednosť vyhlasujeme, že produkt popísaný v časti „Technické údaje“ spĺňa všetky príslušné ustanovenia smerníc

2011/65/EÚ (RoHS)
2006/42/ES
2014/30/EÚ

a boli použité nasledovné harmonizované normy

EN 62841-1:2015
EN 62841-3-9:2015
EN 55014-1:2006+A1:2009+A2:2011
EN 55014-2:2015
EN 61326-1:2013
EN 50581:2012



Winnenden, 2016-08-19

Alexander Krug / Managing Director
Splnomocnený zostaviť technické podklady.

Techtronic Industries GmbH
Max-Eyth-Straße 10, 71364 Winnenden, Germany

SYMBOLY



POZOR! NEBEZPEČENSTVO!



Pred každou prácou na stroji výmenný akumulátor vytiahnuť.



Pred prvým použitím prístroja si pozorne prečítajte návod na obsluhu.



Pri práci so strojom vždy nosíte ochranné okuliare.



Používajte ochranu sluchu!



Používajte ochranné rukavice!



Nebezpečný priestor! Podľa možnosti nedávajte do tohto priestoru ruky, prsty ani predlaktia.



Nezavštevujte stroj dažďu.



POZOR! Neďívajte sa priamo do zapnutej lampy.



Elektrické prístroje sa nesmú likvidovať spolu s odpadom z domácnosti. Elektrické a elektronické prístroje treba zbierať oddelene a odovzdať ich v recyklačnom podniku na ekologickú likvidáciu. Na miestnych úradoch alebo u vášho špecializovaného predajcu sa spýtajte na recyklačné podniky a zberné dvory.



Značka CE



UKRSEPRO značka zhody



Euroázijská značka zhody



Dane techniczne Ukośnica	M18 FMS254
Numer produkcyjny	4569 52 01... ...000001 - 999999
Prędkość bez obciążenia	4000 min ⁻¹
Napięcie baterii akumulatorowej	18 V
Średnica ostrza piły x średnica otworu	254 x 30 mm
Grubość brzośczołu piły maks.	2 mm
Grubość zęba piły min.	2,8 mm
Szerokość cięcia maks. Ucios 0°/ Nachylenie 0° Ucios 45°/ Nachylenie 0° Ucios 0°/ Nachylenie 45° Ucios 45°/ Nachylenie 45°	91 x 289 mm 91 x 205 mm 51 x 289 mm 51 x 205 mm
Ciężar wg procedury EPTA 01/2003 (Li-Ion 5,0 Ah)	20,0 kg
Informacja dotycząca szumów Zmierzone wartości wyznaczono zgodnie z normą EN 62841. Poziom szumów urządzenia oszacowany jako A wynosi typowo: Poziom ciśnienia akustycznego (Niepewność K=3dB(A)) Poziom mocy akustycznej (Niepewność K=3dB(A)) Należy używać ochraniaczy uszu!	90,5 db(A) 101,5 db (A)



Pol

⚠ OSTRZEŻENIE Przeczytać wszystkie wskazówki bezpieczeństwa, instrukcje, ilustracje i dane dołączone do urządzenia. Błędy w przestrzeganiu poniższych wskazówek mogą spowodować porażenie prądem, pożar i/lub ciężkie obrażenia ciała. **Należy starannie przechowywać wszystkie przepisy i wskazówki bezpieczeństwa dla dalszego zastosowania.**

⚠ UKOŚNICE — INSTRUKCJA BEZPIECZEŃSTWA

- a) Ukośnice przeznaczone są do cięcia wyrobów drewnianych lub drewnopodobnych; nie można ich używać ze ściernicami do cięcia materiałów żelaznych, np. sztab, prętów, kołków itp. Piły z cięcia ściernego powodują zacinać się części ruchomych, np. dolnej osłony. Iskry z cięcia ściernego skutkują spalaniem dolnej osłony, wkładki szczelinowej i innych elementów plastikowych.
- b) Jeśli tylko możliwe, używać zacisków do przytrzymania przedmiotu obrabianego. W razie przytrzymywania przedmiotu obrabianego dłonią, należy trzymać dłoń w odległości co najmniej 100 mm od obu stron tarczy tnącej. Nie używać tej piły do cięcia kawałków, które są zbyt małe, aby można je było przytrzymać zaciskami lub dłonią. W razie zbyt bliskiego zbliżenia dłoni do tarczy tnącej istnieje zwiększone ryzyko obrażeń w przypadku kontaktu z ostrzem.
- c) Przedmiot obrabiany musi być nieruchomy i zaciśnięty lub dociskany zarówno do siatki, jak i do stołu. Nie ciągnąć przedmiotu obrabianego ostrzem, ani nie dokonywać cięć bez przytrzymania dłonią. Nieumocowane lub ruchome przedmioty obrabiane mogą zostać odrzucone z dużą prędkością, powodując obrażenia ciała.
- d) Ciąć przedmiot obrabiany, naciskając piłę. Nie ciągnąć piły przez przedmiot obrabiany. Aby wykonać cięcie, unieść głowicę tnącą i wyciągnąć ją przed przedmiot obrabiany bez cięcia, uruchomić silnik, przycisnąć głowicę tnącą w dół i nacisnąć piłę przedmiot obrabiany. Cięcie przez podciąganie może spowodować znalezieniem się brzośczołu na przedmieocie obrabianym i gwałtownym odrzuceniu zespołu tarczy tnącej w kierunku operatora.

e) Nigdy nie krzyżować rąk nad linią planowanego cięcia — ani przed tarczą tnącą, ani za nią. Przytrzymywanie obrabianego przedmiotu skrzyżowanymi rękami, tzn. trzymając przedmiot obrabiany lewą ręką po prawej stronie tarczy tnącej lub odwrotnie, jest bardzo niebezpieczne.

f) Gdy tarcza wiruje, nie sięgać dłonią za siatkę bliższą niż 100 m z obu stron tarczy tnącej w celu usunięcia resztek drewna lub z jakiegokolwiek innego powodu. Niewielka odległość między wirującą tarczą tnącą a dłonią użytkownika może nie być widoczna na pierwszy rzut oka i może skutkować poważnymi obrażeniami ciała.

g) Sprawdzić obrabiany przedmiot przed cięciem. Jeśli przedmiot obrabiany jest wygięty lub wypaczony, zamocować go zewnętrzną stroną wygiętą skierowaną do siatki. Zawsze upewniać się, czy nie ma szczeliny pomiędzy obrabianym przedmiotem, siatką i stołem wzdłuż linii cięcia. Wygięte lub zniekształcone przedmioty obrabiane mogą ulec skręceniu lub przesunięciu, co może spowodować ugrzęźnięcie w nich obracającej się podczas cięcia tarczy tnącej. W przedmieocie obrabianym nie powinno być żadnych gwoździ ani ciał obcych.

h) Nie używać piły, dopóki stół nie zostanie oczyszczony z wszelkich narzędzi, ścinków drewna itp. za wyjątkiem obrabianego przedmiotu. Małe odłamki lub luźne kawałki drewna lub inne przedmioty kontaktujące się z obracającym się ostrzem mogą zostać odrzucone z dużą prędkością.

i) Dokonywać cięcia tylko jednego przedmiotu obrabianego na raz. Ułożenie wielu obrabianych przedmiotów może skutkować nieodpowiednim zaciskiem lub spięciem oraz ugrzęźnięciem lub przesunięciem ostrza podczas cięcia.

j) Przed użyciem należy upewnić się, czy ukośnica została zamontowana lub umieszczona na równej i stabilnej powierzchni roboczej. Równa i stabilna powierzchnia robocza zmniejsza ryzyko utraty stabilności przez ukośnicę.

k) Planować pracę. Przy każdej zmianie ustawienia kąta skosu lub ścięcia upewnić się, że regulowana osłona została ustawiona prawidłowo i wspiera obrabiany przedmiot oraz nie będzie kolidować z ostrzem lub z systemem ochrony.

Bez włączania narzędzia („ON”) i umieszczania obrabianego przedmiotu na stole przesunąć tarczę tnącą, symulując kompletnie cięcie, w celu upewnienia się, czy nie dojdzie do zakłóceń lub niebezpieczeństwa przecięcia siatki.

l) Zapewnić odpowiednie wsparcie obrabianego przedmiotu, np. przedłużenie stołu, kocioł itp., w przypadku gdy przedmiot jest dłuższy lub szerszy niż stół. Obrabiane przedmioty dłuższe lub szersze niż stół ukośnicy mogą przechylać się, jeśli nie są prawidłowo obrabiane. Jeśli odcięty kawałek lub obrabiany przedmiot przechylił się, może unieść dolną osłonę lub zostać odrzucony przez wirującą ostrze.

m) Poza operatorem przy stole nie powinny znajdować się inne osoby, np. w celu zapewnienia przedłużenia stołu lub przytrzymania przedmiotu. Niestabilne wsparcie obrabianego przedmiotu może spowodować, że ostrze lub obrabiany przedmiot przesunie się podczas cięcia, pociągając operatora i jego pomocnika na wirującą ostrze.

n) Należy chronić wirującą tarczę tnącą przez ugrzęźnięciem lub wciśnięciem odciętych kawałków. W przypadku ograniczonej przestrzeni, tj. z zastosowaniem ograniczników długości, odcięty kawałek może zaklinować się przy ostrzu i zostać gwałtownie odrzucony.

o) Zawsze używać zacisku lub osprzętu zaprojektowanego tak, aby poprawnie wesprze okrągłe przedmioty takie jak pręty czy rurki. Pręty mają tendencję do odskakiwania podczas cięcia, powodując ukruszenie ostrza i mogą pociągnąć dłoń na ostrze.

p) Ostrze powinno osiągnąć pełną prędkość przed dotknięciem obrabianego przedmiotu. Zmniejsza to ryzyko odrzucenia obrabianego przedmiotu.

q) Jeśli obrabiany przedmiot lub ostrze zacina się, wyłączyć ukośnicę. Począć, aż wszystkie ruchome części zatrzymają się, i odłączyć wtyczkę od źródła zasilania i/lub wyjąć akumulator. Następnie wykonać czynności w celu uwolnienia zaklinowanego materiału. Dalsze cięcie z zaklinowanym przedmiotem obrabiany może spowodować utratę kontroli lub uszkodzenie ukośnicy.

r) Po zakończeniu cięcia przed wyjęciem odciętego kawałka zwolnić przełącznik, skierować głowicę tnącą w dół i zacząć, aż tarcza zatrzyma się. Zbliżanie dłoni do spowalniającego obroty ostrza jest niebezpieczne.

s) Trzymać mocno uchwyt przy wykonywaniu cięcia częściowego lub po zwolnieniu przełącznika, zanim głowica piły nie znajdzie się w położeniu dolnym. Hamowanie piły może spowodować nagłe pociągnięcie głowicy piły w dół, powodując ryzyko urazów.

Dodatkowe wskazówki bezpieczeństwa i instrukcje robocze
Stosować środki ochrony słuchu! Hałas może powodować utratę słuchu.

Podczas pracy należy zawsze nosić okulary ochronne. Zalecane jest także noszenie rękawic, mocnego, nie ślizgającego się obuwia oraz ubrania roboczego.

Pył wydzielający się podczas pracy z elektronarzędziem może być szkodliwy dla zdrowia i dlatego też nie powinien on mieć kontaktu z ciałem. Stosować układ pochłaniania pyłu i nosić odpowiednią maskę ochronną. Dokładnie usunąć nagromadzony pył np. przy pomocy odkurzacza.

Podczas piłowania drewna należy podłączyć pilarkę do odkurzacza. Nosić rękawice ochronne!

Przed rozpoczęciem użytkowania elektronarzędzia należy przeczytać instrukcję obsługi. O ile to możliwe, należy poprosić o zademonstrowanie pracy narzędzia.

Upewnić się, czy maszyna jest zawsze pewnie osadzona (np. zamocowana na stole warsztatowym).

Usuwać resztki materiału z podłogi np. wióry i odcięte kawałki drewna.

Nie używać brzeszczotów/tarcz, które są nieskształcone lub uszkodzone.

Nie używać ostrzy nie odpowiadających głównym parametrom podanym w instrukcji obsługi.

Wolno stosować wyłącznie narzędzia, które spełniają wymagania normy EN 847-1.

Nie używać brzeszczotów wykonanych ze stali szybkołatającej.

Brzeszczot należy dobrać odpowiednio do ciętego materiału.

Dopuszczalna liczba obrotów osprzętu musi być przynajmniej tak wysoka, jak maksymalna liczba obrotów podana na urządzeniu elektrycznym. Osprzęt, który obraca się szybciej niż jest to dozwolone, może pęknąć i zostać ciśnięty w powietrze.

Narzędzia muszą być transportowane i przechowywane w odpowiednim pojemniku;

Do mocowania brzeszczotu stosować tylko załączone kołnierze, pokazane w instrukcji obsługi.

Tarczówki nigdy nie używać do cięcia materiałów innych niż podane w instrukcji obsługi.

Tarczówkę do obrzynania używać wyłącznie z należycie funkcjonującą i konserwowaną osłoną. Osłona winna sama się zamykać.

Nie wolno usuwać żadnych pozostałości po cięciu lub innych części przedmiotów obrabianych gdy maszyna pracuje a głowica piły nie znajduje się w położeniu spoczynkowym.

Podczas pracy strugarki nie zbliżać się do strefy niebezpiecznej.

Zawsze stosować osłony ochronne na elektronarzędziu.

Usterki maszyny, włączając w to urządzenie ochronne lub brzeszczoty, należy natychmiast po wykryciu zgłosić osobie odpowiedzialnej za bezpieczeństwo.

Nie zaciskać obrotowej osłony zabezpieczającej.

Długie przedmioty obrabiane należy odpowiednio podeprzeć.

Tarczówkę transportować tylko z zamkniętym na zatrzask zabezpieczeniem transportowym na rękojeści.

Podczas wykonywania cięcia kąтового, fazowania lub złożonych cięć kątowych, dostosować ruchomy ogranicznik, aby zapewnić prawidłowy odstęp od ostrza.



Poprzez zastosowanie odpowiedniej szybkości posuwu unikać przegrzania zębów pił tarczowych, a podczas cięcia tworzyć szorstkich topienia materiału.

WARUNKI UŻYTKOWANIA

Tarczówka do obrzynania jest przeznaczona do cięcia drewna litego, drewna klejonego, materiałów drewnopochodnych i tworzyw sztucznych.

Nie wolno ciąć przedmiotów obrabianych o przekroju okrągłym lub nieregularnym (np. drewno kominkowe, ponieważ nie są one pewnie zamocowane podczas cięcia. Podczas cięcia pionowego przedmiotów płaskich należy stosować oparcie pomocnicze do pewnego prowadzenia.

ZAGROŻENIA RESZTKOWE

Nawet przy właściwym użytkowaniu produktu nie można całkowicie wykluczyć zagrożeń resztkowych. W przypadku stosowania mogą wystąpić następujące zagrożenia, dlatego też operator winien zwracać uwagę na następujące aspekty:

- Aby uniknąć uszkodzenia słuchu należy ograniczyć czas ekspozycji (na hałas) i używać odpowiedniej ochrony słuchu.
- Operator winien podjąć działania celem zredukowania oddziaływania wibracji i czasu ekspozycji.
- Należy używać maski do ochrony dróg oddechowych w celu wyeliminowania zagrożeń zdrowotnych, które mogą zaistnieć na skutek wdychania pyłu pochodzącego z piłowania.

BATERIE AKUMULATOROWE

Akumulatory, które nie były przez dłuższy czas użytkowane, należy przed użyciem naładować.

W temperaturze powyżej 50°C następuje spadek osiągniętych wkładki akumulatorowej. Unikać długotrwałego wystawienia na oddziaływanie ciepła lub promieni słonecznych (niebezpieczeństwo przegrzania).

Styki ładowarek i wkładek akumulatorowych należy utrzymywać w czystości

Dla zapewnienia optymalnej żywotności akumulatory po użyciu należy naładować do pełnej pojemności.

Dla zapewnienia możliwie długiej żywotności akumulatory należy wyjąć z ładowarki po ich naładowaniu.

W przypadku składowania akumulatorów dłużej aniżeli 30 dni: Przechowywać je w suchym miejscu w temperaturze ok. 27°C. Przechowywać je w stanie naładowanym do ok. 30% - 50%. Ładować je ponownie co 6 miesięcy.

TRANSPORT AKUMULATORÓW LITOWO-JONOWYCH

Akumulatory litowo-jonowe podlegają ustawowym przepisom dotyczącym transportu towarów niebezpiecznych.

Transport tych akumulatorów winien odbywać się przy przestrzeganiu lokalnych, krajowych i międzynarodowych rozporządzeń i przepisów.

Odbiorcom nie wolno transportować tych akumulatorów po drogach ot tak po prostu.

Komersyjny transport akumulatorów litowo-jonowych przez przedsiębiorstwa spedycyjne podlega przepisom dotyczącym transportu towarów niebezpiecznych. Przygotowania do wysyłki oraz transport mogą być wykonywane wyłącznie przez odpowiednio przeszkolone osoby. Cały proces winien odbywać się pod fachowym nadzorem.

W czasie transportu akumulatorów należy przestrzegać następujących punktów:

Celem uniknięcia zwarcia należy upewnić się, że zestyki są zabezpieczone i zaizolowane. Zwracać uwagę na to, aby zespół akumulatorów nie mógł się przemieszczać we wnętrzu opakowania. Nie wolno transportować akumulatorów uszkodzonych lub z wyciekającym z elektrolitem. Odnośnie dalszych wskazówek należy zwrócić się do swojego przedsiębiorstwa spedycyjnego.

ZABEZPIECZENIE PRZECIĄŻENIOWE AKUMULATORA

W przypadku przeciążenia akumulatora przez bardzo duży pobór prądu, na przykład wskutek ekstremalnie dużych momentów obrotowych, narzędzie ręczne z napędem elektrycznym wibruje przez 5 sekund, miga wskaźnik ładowania i narzędzie samoczynnie wyłącza się.

W celu ponownego włączenia narzędzia należy zwolnić przycisk przełączający, a następnie ponownie go włączyć. Przy ekstremalnych obciążeniach akumulator nagrzewa się za mocno. W takim przypadku wszystkie lampki wskaźnika ładowania migają tak długo, aż akumulator ochłodzi się. Po zgaśnięciu wskaźnika ładowania można kontynuować pracę.

Wówczas należy wetknąć akumulator do ładowarki, aby go ponownie naładować i aktywować.

UTRZYMANIE I KONSERWACJA

Przed przystąpieniem do jakichkolwiek prac na elektronarzędziu należy wyjąć wkładkę akumulatorową.

Należy pamiętać, aby przed założeniem lub zdjęciem tarczy tnącej wyjąć wtyczkę z gniazda sieciowego.

Wymieniać zużyty wkładkę stołu.

Oczyszczyć urządzenie i elementy zabezpieczające za pomocą suchej ściereczki.

Otwory wentylacyjne elektronarzędzia muszą być zawsze drożne.

Używać tylko i wyłącznie wyposażenia dodatkowego Milwaukee i części zamiennych Milwaukee. Gdyby trzeba było wymienić części, które nie zostały opisane, należy skontaktować się z przedstawicielem serwisu Milwaukee (patrz wykaz adresów punktów usługowych/gwarancyjnych).

Na życzenie można otrzymać rysunek widoku zespołu rozebranego. Przy zamawianiu należy podać numer oraz typ elektronarzędzia umieszczony na tabliczce znamionowej. Zamówienia można dokonać albo u lokalnych przedstawicieli serwisu, albo bezpośrednio w Techtronic Industries GmbH, Max-Eyth-Straße 10, 71364 Winnenden, Germany.



DEKLARACJA ZGODNOŚCI CE

Oświadczamy na naszą wyłączną odpowiedzialność, że produkt opisany pod „Dane techniczne” spełnia wszystkie istotne przepisy dyrektyw

2011/65/UE (RoHS)

2006/42/WE

2014/30/UE

i zastosowano następujące zharmonizowane normy

EN 62841-1:2015

EN 62841-3-9:2015

EN 55014-1:2006+A1:2009+A2:2011

EN 55014-2:2015

EN 61326-1:2013

EN 50581:2012



Winnenden, 2016-08-19

Alexander Krug / Managing Director
Uppełnomocniony do zestawienia danych technicznych

Techtronic Industries GmbH
Max-Eyth-Straße 10, 71364 Winnenden, Germany

SYMBOLE



UWAGA! OSTRZEŻENIE NIEBEZPIECZEŃSTWO!



Przed przystąpieniem do jakichkolwiek prac na elektronarzędziu należy wyjąć wkładkę akumulatorową.



Przed uruchomieniem elektronarzędzia zapoznać się uważnie z treścią instrukcji.



Podczas pracy należy zawsze nosić okulary ochronne.



Należy używać ochroniaczy uszu!



Nosić rękawice ochronne!



Niebezpieczna strefa! W miarę możliwości nie zbliżać do tej strefy rąk, palców czy ramion.



Chronić maszynę przed deszczem.



UWAGA! Nie patrzeć na włączoną lampkę.



Urządzenia elektryczne nie mogą być usuwane razem z odpadami pochodzącymi z gospodarstw domowych. Urządzenia elektryczne i elektroniczne należy gromadzić oddzielnie i w celu usuwania ich do odpadów zgodnie z wymaganiami środowiska naturalnego oddawać do przedsiębiorstwa utylizacyjnego. Proszę zasięgnąć informacji o centrach recyklingowych i punktach zbiorczych u władz lokalnych lub u wyspecjalizowanego dostawcy.

Znak CE

Znak zgodności UkrSEPRO

Znak zgodności EurAsian



Pol

Műszaki adatok Gérvágófűrész	M18 FMS254
Gyártási szám	4569 52 01... ...000001 - 999999
Üresjárat fordulatszám	4000 min ⁻¹
Akkumulátor feszültség	18 V
Fűrészlap átmérő x lyukátmérő	254 x 30 mm
Fűrésztrácsa lapvastagsága max.	2 mm
Fűrésztrácsa fogvastagsága min.	2,8 mm
Vágás szélesség max. forgásszög 0°/ Dőlés 0° forgásszög 45°/ Dőlés 0° forgásszög 0°/ Dőlés 45° forgásszög 45°/ Dőlés 45°	91 x 289 mm 91 x 205 mm 51 x 289 mm 51 x 205 mm
Súly a 01/2003 EPTA-eljárás szerint (Li-Ion 5,0 Ah)	20,0 kg
Zajinformáció A közölt értékek megfelelnek az EN 62841 szabványnak. A készülék munkahelyi zajszintje tipikusan: Hangnyomás szint (K bizonytalanság=3dB(A)) Hangteljesítmény szint (K bizonytalanság=3dB(A)) Hallásvédő eszköz használata ajánlott!	90,5 db(A) 101,5 db (A)



Mag

▲ FIGYELMEZTETÉS Olvasson el minden, a géppel együtt megkapott biztonsági utalást, utasítást, ábrázolást és adatot. A következőkben leírt előírások betartásának elmulasztása áramütésekhez, tűzhöz és/vagy súlyos testi sérülésekhez vezethet. Kérjük a későbbi használatra gondosan őrizze meg ezeket az előírásokat.

▲ BIZTONSÁGI UTASÍTÁSOK A GÉRVÁGÓ FÜRÉSZ HASZNÁLATÁHOZ

a) A gérvágó fűrész fából vagy fához hasonló anyagból készült termékek vágására szolgál, csiszoló vágókerékkel vagy anyagú árucikkhez – például különféle rúdtípusok – nem használható. A csiszolási művelet közben keletkező por a mozgó alkatrészek (pl. alsó védőelem) elakadását okozza. A csiszoló vágás során keletkező szikra hatására az alsó védőelem, a horonybetét és az egyéb műanyag alkatrészek meggyulladnak.

b) Amikor csak lehetséges, használjon satut a munkadarab befogásához. Ha kézzel támasztja meg a munkadarabot, tartson legalább 100 mm-es biztonsági távolságot a fűrészlap oldalaitól. Ne használja a fűrészelt a biztonságos befogáshoz vagy kézzel való rögzítéshez túl apró darabok vágásához. Ha túl közel tartja a kezét a fűrészlaphoz, megnöveli az annak megérintéséből származó sérülés kockázatát.

c) A munkadarabot rögzíteni kell, vagy neki kell nyomni a párhuzamvezetőnek és az asztalnak. Ne tegye a munkadarabot a fűrészlaphoz, és ne hajtson végre semmilyen módon „kezi vágást”. A nem rögzített vagy mozgó alkatrészek nagy sebességgel kirepülhetnek, és sérülést okozhatnak.

d) Nyomja neki a fűrészlapot munkadarabnak (ne húzza azon). A vágáshoz emelje fel a fűrészfejet, és húzza át a munkadarab felett, anélkül, hogy vágást hajtana végre. Indítsa el a motort, nyomja le a fűrészfejet, és nyomja neki a fűrészlapot munkadarabnak. A vágásnál, húzó mozdulat hatására előfordulhat, hogy a fűrészlap „felmászik” a munkadarabra, és a fűrészlap erőteljesen a kezelőnek csapódik.

e) Soha ne nyúljon át a kívánt vágási vonal felett, a fűrészlap előtt, ill. mögött. A munkadarab „átnyúlással”,

valamint bal kézzel a fűrészlap jobb oldalán, illetve jobb kézzel a bal oldalán való megtámasztása nagyon veszélyes művelet.

f) Ne nyúljon a párhuzamvezető mögé a fűrészlap bármelyik oldalától mért 100 mm-es távolságon belül a faforgács eltávolításához vagy egyéb okból, mialatt a fűrészlap forog. Előfordulhat, hogy a kezelő nem észleli a forgó fűrészlap közelségét, és emiatt súlyos sérülést szenvedhet.

g) Vizsgálja meg a munkadarabot a vágás előtt. Ha görbe vagy vetemedés jeleit mutatja, szorítsa külső meggörbült oldalával a párhuzamvezetőhöz. Minden esetben ügyeljen arra, hogy ne legyen rés a munkadarab, a párhuzamvezető és az asztal között, a vágás vonalában. A hajlott vagy megvetemedett munkadarabok megcsavarodhatnak vagy elmozdulhatnak, és vágás közben a forgó fűrészlaphoz tapadhatnak. Szeg vagy idegen tárgy nem lehet a munkadarabon.

h) Ne használja a fűrészelt mindaddig, míg el nem távolította az asztalról az összes szerszámot (kivéve a munkadarabot), és meg nem tisztította az asztalt a faforgácsától és egyéb hulladékoktól. Az apró törmelék, a szabad farészek vagy a forgó fűrészlappal érintkező egyéb tárgyak nagy sebességgel kirepülhetnek.

i) Egyszerre csak egy munkadarab vágását végezze. Több munkadarab nem fogatható be és nem rögzíthető megfelelően, és ezek a munkadarabok a fűrészlaphoz tapadhatnak vagy a vágás során elmozdulhatnak.

j) Használat előtt helyezze a gérvágó fűrészelt egy sima, masszív munkafelületre. A sima, masszív felület csökkenti a gérvágó fűrész instabilitásának kockázatát.

k) Tervezze meg a munkafolyamatot. Ha megváltoztatja a gérvágó fűrész szögbeállításait, minden esetben ügyeljen arra, hogy az állítható párhuzamvezető úgy legyen beállítva, hogy megfelelően rögzítse a munkadarabot, és az ne érintkezzen a fűrészlappal vagy a védőrendszerrel. Az eszköz bekapcsolása nélkül, és anélkül, hogy munkadarabot helyezne az asztalra, hajtja végre a fűrészlap teljes vágásának simulációját, biztosítva, hogy a párhuzamvezető vágása ne ütközön akadályba, és ne idézzen elő veszélyt.

Magyar

l) Az asztallapnál szélesebb vagy hosszabb munkadarab esetében gondoskodjon a megfelelő rögzítésről (pl. az asztal meghosszabbítása, fűrészbak stb.). A gérvágó fűrész asztalánál hosszabb vagy szélesebb munkadarabok megfelelő rögzítés hiányában felbillenhetnek. Ha a levágott (munka)darab felbillen, megemelheti az alsó védőelemet, vagy a forgó fűrészlap kirepítheti.

m) Az asztal meghosszabbítása helyett vagy további rögzítés céljából ne vegye igénybe másik személy segítségét.

A munkadarab instabil rögzítése a fűrészlap tapadását idézheti elő, illetve a vágási művelet során elmozdult munkadarab a kezelő és segítőtjét a forgó fűrészlaphoz ránthatja.

n) A levágott darabot semmilyen körülmények között sem szabad a forgó fűrészlaphoz nyomni. Helyhiány esetén (pl. hosszirányú ütközők használatakor) a levágott darab a fűrészlapba ékelődhet, és erőteljesen kirepülhet.

o) A kerek anyagok (pl. rudak vagy csövek) rögzítéséhez minden esetben használjon szorítót vagy a célnak megfelelő eszközt. A rudak a vágás során kifordulhatnak, mivel következében a fűrészlap odakaphat, és a kezelő a munkadarabot a fűrészlaphoz húzhatja.

p) A fűrészlapnak a munkadarabbal való érintkezés előtt el kell érnie a maximális sebességet. Ezáltal csökkenthető a munkadarab kirepülésének kockázata.

q) Ha a munkadarab vagy a fűrészlap beszorul, a gérvágó fűrészelt ki kell kapcsolni. Várja meg, míg minden mozgó alkatrész leáll, húzza ki a dugót az áramforrásból, és/vagy vegye ki az akkumulátorcsomagot. Ezután könnyedén eltávolíthatja a beszorult anyagot. A beszorult munkadarab mellett végzett folyamatos fűrészhasználat ellenőrizetlen folyamatot idézhet elő, vagy károsíthatja a gérvágó fűrész.

r) A vágási művelet befejeztével engedje fel a kapcsolót, tartsa lent a fűrészfejet, és várja meg, míg a fűrészlap leáll, mielőtt eltávolítja a levágott darabot. A fűrészlap közelébe nyúlni veszélyes!

s) Tartsa erősen a fogantyút, ha nem teljes vágást hajt végre, vagy ha azelőtt engedi fel a kapcsolót, hogy a fűrészfej teljesen eléri az alsó pozíciót. A fűrész fékező hatásának eredményeként a fűrészfej hirtelen lenyomódhat, ami sérülésveszélyt idézhet elő.

További biztonsági és munkavégségi utasítások

Viseljen hallásvédőt. A zaj hatása hallásvészteszt okozhat.

Munkavégzés közben ajánlatos védőszemüveget viselni. Védőkesztyű, zárt és csúszásmentes cipő, valamint védőkötény használata szintén javasolt.

A munkavégszerek keletkező por az egészségre ártalmas lehet. Ilyen esetben ajánlatos a megfelelő elszívó berendezés és a védőmaszk használata. A munkaterületen lerakódott port alaposan el kell takarítani.

Fa vágásokor csatlakoztassa a fűrészelt porszivóra.

Hordjon védőkesztyűt!

A készülék első használata előtt sziveskedjen a kezelési útmutatót figyelmesen átolvasni és a gyakorlati tudnivalókat elsajátítani.

Biztosítani kell, hogy a gép helyzete állandóan biztonságos legyen (pl. rögzítve legyen a munkapadon).

A padlót anyagmaradványoktól, pl. forgácsból és fűrészelési maradványoktól tisztán kell tartani.

Nem szabad sérült vagy deformálódott vágólapot használni.

Ne használjon olyan fűrészlapot, ami nem egyezik meg a használati útmutatóban feltüntetettekkel.

Csak olyan szerszámot szabad használni, amely megfelel az EN 847-1 előírásainak.

Ne használjanak gyorsacélból készült fűrészlapokat!

Válasszanak a vágni kívánt anyagnak megfelelő fűrészlapot!

Az alkalmazott szerszámalkatrész megengedett fordulatszámának legalább annyinak kell lennie, mint az elektromos szerszámon megadott legnagyobb fordulatszám. Az olyan tartozék, ami a megengedett fordulatszámnál gyorsabban forog, eltérhet vagy lerepülhet.

A szerszámokat csak arra alkalmas tartóban szállítsa és tárolja;

A fűrészlap rögzítéséhez csak a mellékelt és a kezelési útmutatóban ábrázolt karimát szabad használni!

A darabolófűrész nem szabad más anyagok vágására használni, mint ami a kezelési útmutatóban szerepel!

A fejező fűrészelt csak biztonságosan működő és jól karbantartott védőburkolattal szabad használni. A védőburkolatnak önműködően vissza kell fordulni.

Ha a gép jár és a fűrészfej nincs nyugalmi állapotban, nem szabad eltávolítani fűrészelési maradványokat vagy más munkadarabrészeket a fűrészelési tartományból.

A működő készülék munkaterületére nyúlni balesetveszélyes és tilos.

A készülék biztonságtechnikai felszereléseit feltétlenül használni kell.

A gépben, a védőberendezésben vagy a fűrészlapokon jelentkező hibákat észlelésük után azonnal jelenteni kell a biztonságért felelős személynek.

Ne szorítsa be a forgórészt védő csappantyút.

A hosszú munkadarabokat alkalmas módon meg kell támasztani.

A darabolófűrészelt a fogantyúján rögzített szállításbiztosítóval kell szállítani!

Gérvágás, ferdevágás vagy összetett vágások végrehajtásakor úgy állítsa be a gérvágó vezetősimt, hogy biztosítsa a megfelelő hézagot a vágólaptól.

A megfelelő előtolási sebesség megválasztásával kerülje el a fűrészlap túlhevülését, valamint műanyagok vágásakor az anyag megolvadását.



RENDELTESSZERŰ HASZNÁLAT

A fejező fűrész tömör fák, ragasztott fák, fához hasonló anyagok és műanyagok fűrészelésére használható.

Nem szabad kör-, vagy szabálytalan keresztmetszetű munkadarabokat (pl. tűzifa) fűrészelni, mivel a fűrészeléskor nem lehet ezeket biztosan rögzíteni. Az élére állított lapos munkadarabok fűrészelésénél a biztos megvezetéshez egy megfelelő segédűtközlet kell használni.

FENNMARADÓ VESZÉLYEK

Fennmaradó veszélyek még a termék szabályos használata mellett sem zárhatók ki teljes egészében. Az alkalmazás során a következő kockázatok merülhetnek fel, ezért a kezelőnek be kell tartania az alábbiakat:

- A halláskárosodás elkerülése érdekében korlátozni kell az expozíció idejét, és megfelelő hallásvédőt kell viselni.
- A kezelőnek intézkedéseket kell tennie a vibráció hatásainak csökkentésére és az expozíció idejének korlátozására.
- Légzésvédő maszkot kell viselni azon egészségügyi kockázatok csökkentésére, amelyek a fűrészpor beleégzése által keletkezhetnek.



Mag

AKKUK

A hosszabb ideig üzemben kívül lévő akkumulátort használat előtt ismételtelen fel kell tölteni.

50°C feletti hőmérsékletnél csökkenhet az akkumulátor teljesítménye. Kerülni kell a túlzottan meleg helyen vagy napon történő hosszabb idejű tárolást.

A töltő és az akkumulátor csatlakozóit mindig tisztán kell tartani.

Az optimális élettartam érdekében használat után az akkukat teljesen fel kell tölteni.

A lehetőleg hosszú élettartamhoz az akkukat feltöltés után ki kell venni a töltőkészületről.

Az akku 30 napot meghaladó tárolása esetén: Az akkut kb. 27 °C-on, száraz helyen kell tárolni. Az akkut kb. 30-50%-os töltöttségi állapotban kell tárolni. Az akkut 6 havonta újra fel kell tölteni.

LÍTIUM-ION AKKUK SZÁLLÍTÁSA

A lítium-ion akkuk a veszélyes áruk szállítására vonatkozó törvényi rendelkezések hatálya alá tartoznak.

Az ilyen akkuk szállításának a helyi, országos és nemzetközi előírások és rendelkezések betartása mellett kell történnie.

A fogyasztók minden további nélkül szállíthatják az ilyen akkukat közúton.

A lítium-ion akkuk szállítmányozási vállalatok általi kereskedelmi célú szállítására a veszélyes áruk szállítására vonatkozó rendelkezések érvényesek. A kiszállítás előkészítését és a szállítást kizárólag megfelelő képzettségű személyek végezhetik. A teljes folyamatnak szakmai felügyelet alatt kell történnie.

A következő pontokat kell figyelembe venni akkuk szállításakor:

Biztosítsa, hogy a rövidzárlatok elkerülése érdekében az érintkezők védve és szigetelve legyenek. Ügyeljen arra, hogy az akkucsomag ne tudjon elcsúszni a csomagoláson belül. Tilos sérült vagy kifolyt akkukat szállítani. További útmutatásokért forduljon szállítmányozási vállalatához.

AZ AKKUMULÁTOR TÚLTERHELÉS ELLENI VÉDELME

Az akku nagyon nagy áramfelhasználása következtében fellépő túlterhelése esetén - pl. rendkívül magas forgatónyomatékok, a fűrész megszorulása, hirtelen leállítás vagy rövidzárlat miatt – az elektromos számszám 5 másodpercen keresztül vibrál, a töltéskijelző villog és az elektromos számszám magától kikapcsol.

Az újbóli bekapcsoláshoz engedje el a nyomókapcsolót, majd kapcsolja be ismét.

Rendkívüli terheléseknél az akku túlságosan felmelegszik. Ebben az esetben a töltéskijelző minden lámpája addig villog, amíg az akku le nem hűl. Ha a töltéskijelző kialszik, utána tovább lehet dolgozni.

Az ismételt feltöltéshez és aktiváláshoz ekkor dugja az akkut a töltőkészülékbe.

KARBANTARTÁS

Karbantartás, javítás, tisztítás, stb. előtt az akkumulátort ki kell venni a készülékből.

A fűrészlap felhelyezése és eltávolítása előtt ügyeljen arra, hogy kihúzza a szerszámot az elektromos hálózathoz.

Az elhasználdott asztalbetétet ki kell cserélni.

A készüléket és a védőeszközöt száraz kendővel tisztítsa.

A készülék szellőzőnyílásait mindig tisztán kell tartani.

Csak Milwaukee tartozékokat és Milwaukee pótalkatrészeket szabad használni. Az olyan elemeket, melyek cseréje nincs ismertetve, cseréltesse ki Milwaukee szervizzel (lásd Garancia/Ügyfélszolgálat címei kiadványt).

Szükség esetén a készülékek robbantott ábráját - a készülék típusa és azonosító száma alapján a területileg illetékes Milwaukee márkaszerviztől vagy közvetlenül a gyártótól (Techtronic Industries GmbH, Max-Eyth-Straße 10, 71364 Winnenden, Germany) lehet kérni.

CE-AZONOSSÁGI NYILATKOZAT

Kizárólagos felelősségünk alapján kijelentjük, hogy a „Műszaki adatok” fejezetben leírt termék megfelel a irányelvek összes vonatkozó rendelkezésének

2011/65/EU (RoHS)

2006/42/EK

2014/30/EU

harmonizált szabvány és a

EN 62841-1:2015

EN 62841-3-9:2015

EN 55014-1:2006+A1:2009+A2:2011

EN 55014-2:2015

EN 61326-1:2013

EN 50581:2012



Winnenden, 2016-08-19

Alexander Krug / Managing Director
Műszaki dokumentáció összeállításra felhatalmazva
Techtronic Industries GmbH
Max-Eyth-Straße 10, 71364 Winnenden, Germany

SZIMBÓLUMOK



FIGYELEM! FIGYELMEZTETÉS! VESZÉLY!



Karbantartás, javítás, tisztítás, stb. előtt az akkumulátort ki kell venni a készülékből.



Kérjük alaposan olvassa el a tájékoztatót mielőtt a gépet használja.



Munkavégzés közben ajánlatos védőszemüveget viselni.



Hallásvédő eszköz használata ajánlott!



Hordjon védőkesztyűt!



Veszélyes terület! Amennyire lehetséges, tartsa távol a kezét, az ujjait és a karját ettől a területtől.



A gépet nem szabad esőnek kitenni.



FIGYELEM! Ne nézzen a bekapcsolt lámpába.



Az elektromos eszközöket nem szabad a háztartási hulladékkal együtt ártalmatlanítani. Az elektromos és elektronikus eszközöket szelektíven kell gyűjteni, és azokat környezetbarát ártalmatlanítás céljából hulladék-hasznosító üzemben kell leadni. A helyi hatóságoknál vagy szakkereskedőjénél tájékozódjon a hulladékudvarokról és gyűjtőhelyekről.



CE-jelölés



UkrSEPRO megfelelőségi jelzés.

TR 066



Eurázsiai megfelelőségi jelzés.



Tehnični podatki Potezna žaga	M18 FMS254
Proizvodna številka	4569 52 01... ...000001 - 999999
Število vrtljajev v prostem teku	4000 min ⁻¹
Napetost izmenljivega akumulatorja	18 V
List žage ø x vrtnali ø	254 x 30 mm
Debelina rezila žage maks.	2 mm
Debelina zobcev na rezilu žage min.	2,8 mm
Širina reza maks.	
Jeralni kot vodoravno 0°/ Sklon 0°	91 x 289 mm
Jeralni kot vodoravno 45°/ Sklon 0°	91 x 205 mm
Jeralni kot vodoravno 0°/ Sklon 45°	51 x 289 mm
Jeralni kot vodoravno 45°/ Sklon 45°	51 x 205 mm
Teža po EPTA-proceduri 01/2003 (Li-Ion 5,0 Ah)	20,0 kg
Informacije o hrupnosti Vrednosti merjenja ugotovljene ustrezno z EN 62841. Raven hrupnosti naprave ovrednotena z A, znaša tipično: Nivo zvočnega tlaka (Nevarnost K=3dB(A)) Višina zvočnega tlaka (Nevarnost K=3dB(A)) Nosite zaščito za sluh!	90,5 db(A) 101,5 db (A)



Slo

⚠ OPOZORILO Preberite vse varnostne napotke, navodila, prikaze in podatke, ki ste jih prejeli skupaj z napravo. Napake zaradi neupoštevanja spodaj navedenih opozoril in napotil lahko povzročijo električni udar, požar in/ali težke telesne poškodbe.

Vsa opozorila in napotila shranite, ker jih boste v prihodnje še potrebovali.

⚠ VARNOSTNA NAVODILA ZA ZAJERALNE ŽAGE

a) Zajeralne žage so namenjene rezanju lesa ali lesu podobnih izdelkov, ni jih mogoče uporabljati z brusilnimi rezalnimi koluti za rezanje železnih materialov kot so palice, drogovi, žebliji, itd. Brusni prah povzroča, da se gibljivi deli, kot je spodnji ščitnik, zagodijo. Iskre povzročene z brusilnim rezanjem bodo stopile spodnji ščitnik, mizni vstavek in druge plastične dele.

b) Kadar je mogoče, za podporo obdelovanca uporabite primeže. V primeru podpiranja obdelovanca z roko, morate roko vedno držati vsaj 100 mm stran od obeh strani žaginega lista. Te žage ne uporabljajte za rezanje kosov, ki so premajhni, da bi jih lahko varno pritrdili ali ročno držali. Če je vaša roka postavljena preblizu žaginemu listu, obstaja povečana nevarnost poškodb zaradi stika z rezilom.

c) Obdelovanec mora biti v mirovanju in vpet ali pridržan tako ob ograjo kot ob mizo. Obdelovanca ne potiskajte v rezilo ali režite „prostoročno“ na kakršen koli način. Neprivezani ali premikajoči se obdelovanci so pri visokih hitrostih lahko izvrženi in povzročijo poškodbe.

d) Potisnite žago skozi obdelovanec. Ne vlečite žage skozi obdelovanec. Da bi naredil rez, dvignite glavo žage in jo povlecite preko obdelovanca, ne da bi pri tem zarezali vanj, zaženite motor, pritisnite glavo žage navzdol in potisnite žago skozi obdelovanec. Rezanje na poteg lahko povzroči, da se žagin list vzpne na vrh obdelovanca in nasilno izvrže sklop rezil proti uporabniku.

e) Z roko nikoli ne prečkajte predvidene linije za rezanje tako pred kot za žaginim listom. Podpiranje obdelovanca z prekrizanimi rokami, torej držanje obdelovanca desno od žaginega lista z levo roko in obratno, je zelo nevarno.

f) Medtem ko se rezilo vrti, z nobeno roko ne segajte za ograjo bližje kot 100 mm od obeh strani žaginega lista, da bi odstranili lesne ostanke ali iz katerega koli drugega razloga. Bližina vrteče se žage vaši roki morebiti ni očitna in lahko se resno poškodujete.

g) Pred rezanjem pregledajte vašega obdelovanca. Če je obdelovanec uklonjen ali ukrivljen, ga pripnite z zunanjo uklonjeno ploškovo proti ograji. Vedno se prepričajte, da med obdelovancem, ograjo in mizo ni vrzeli vzdolž linije reza. Zviti ali ukrivljeni obdelovanci se lahko zvijajo ali premaknejo in lahko povzročijo sprjetje na vrteči se žagin list med rezanjem. Na obdelovancu ne sme biti žeblijev in tujih predmetov.

h) Žage ne uporabljajte dokler miza ni prosta vseh orodij, lesnih ostankov, itd., razen obdelovanca. Majhni delci ali razmajani kosi lesa ali drugi predmeti, ki pridejo v stik z vrtečim se rezilom, so lahko izvrženi z visoko hitrostjo.

i) Režite le enega obdelovanca naenkrat. Več zloženih obdelovancev ni mogoče ustrezno pripeti ali podpreti in se posledično lahko med rezanjem sprimejo na rezilo ali premaknejo.

j) Pred uporabo poskrbite, da je zajeralna žaga nameščena ali postavljena na ravni, stabilni delovni površini. Ravna in stabilna delovna površina zmanjšuje tveganje, da zajeralna žaga postane nestabilna.

k) Načrtujte svoje delo. Vsakič, ko spremenite nastavev naklona in kota zajeralne žage, poskrbite, da je nastavljava ograja pravilno nastavljena za podporo obdelovanca in ne bo ovirala rezila ali varovalnega sistema. Ne da vklopite orodje in brez nobenega obdelovanca na mizi premaknite žagin list skozi celoten simulirani rez, da se prepričate, da ne pride do interference ali nevarnosti, da bi prerezali ograjo.

l) Za obdelovanca, ki je večji ali daljši od plošče mize, zagotovite ustrezno podporo, kot je podaljšek za mizo, koza za žaganje, itd. Obdelovanci, ki so daljši ali širši od mize zajeralne žage se lahko prevrnejo, če niso varno podprti. Če se odrezani kos ali obdelovanec prevrne, lahko dvigne spodnji ščitnik ali pa je izvržen s strani vrtečega se rezila.

m) Ne uporabljajte druge osebe kot nadomestilo za razširitev mize ali kot dodatno podporo. Nestabilna podpora obdelovanca lahko povzroči, da se rezilo zagodzi ali pa se obdelovanec med rezanjem premakne ter povleče vas in pomočnika v vrteče se rezilo.

n) Odrezani kos ne sme bit zagozden ali stisnjen s kakršnimkoli sredstvi ob vrtečo se žago. Če je omejen, npr. s pomočjo dolžinskega prislona, se odrezani kos lahko zagodzi med rezilo in je silovito izvržen.

o) Vedno uporabljajte primež ali opremo zasnovano za ustrezno podporo okroglih materialov, kot so palice in cevi. Med rezanjem so palice nagnjene k obračanju, kar povzroči, da rezilo „ugrizne“ in potegne obdelovanca skupaj z vašo roko v rezilo.

p) Preden se rezilo dotakne obdelovanca mora doseči polno hitrost. To bo zmanjšalo tveganje za izvrženje obdelovanca.

q) Če se obdelovanec ali rezilo zagodzi, ugasnite zajeralno žago. Počakajte, da se vsi gibljivi deli ustavijo in iztaknite vtič iz vira napajanja in/ali odstranite baterijski sklop. Potem odstranite zagozdeni material. Nadaljevanje žaganja z zagozdenim obdelovancem lahko povzroči izgubo nadzora ali škodo na zajeralni žagi.

r) Po končanem rezanju spustite stikalo, držite glavo žage navzdol in počakajte, da se rezilo ustavi preden odstranite odrezani kos. Iztegovanje roke proti rezilu v prostem teku je nevarno.

s) Pri izvijanju nepopolnega reza ali ob sprostitvi stikala preden je glava žage v popolnoma spodnjem položaju, trdno držite ročico. Zavorno delovanje žage lahko povzroči nenaden poteg glave žage navzdol, kar povzroči možnost telesne poškodbe.

Nadaljna varnostna in delovna opozorila

Nosite zaščito za sluh. Hrup lahko povzroči izgubo sluha.

Pri delu s strojem vedno nosite zaščitna očala. Priporočamo zaščitne rokavice, trdno obuvalo, varno proti drsenju ter predpasnik.

Prah, ki nastaja pri delu, je pogosto zdravju škodljiv in naj ne zaide v telo. Uporabljajte odsesavanje prahu in dodatno nosite primerno masko za zaščito proti prahu. Prah, ki se usede, temeljito očistite, npr. posesajte.

Pri žaganju lesa, priključite žago na sesalec za prah.

Nositi zaščitne rokavice

Priporočamo, da pred prvo uporabo naprave skrbno preberete navodilo za uporabo in da se poučite o praktični uporabi.

Zagotovite, da bo stroj zmeraj stal varno (npr. pritrđitev na pult).

Tla ohranjajte ostankov materiala npr. odrezkov in ostankov žaganja prosta.

Ne uporabljajte žaginih listov, ki so poškodovani ali deformirani.

Listi za žago, ki ne odgovarjajo podatkom o značilnosti v tem navodilu za uporabo, se ne smejo uporabiti.

Uporabljajte samo orodje, ki ustreza EN 847-1.

Ne uporabljajte žaginih listov izdelanih iz hitroreznega jekla.

Izberite rezanemu materialu ustrezen žagin list.

Dovoljeno število vrtljajev uporabljenega orodja mora biti vsaj tako visoko, kot je največje število vrtljajev električnega orodja. Pribor, ki se vrti hitreje od dovoljenega števila vrtljajev, se lahko polomi in razleti.

Orodje transportirajte in hranite v primerni pripravi za prenašanje; Za pritrđitev žaginega lista uporabljajte zgolj priložene in v navodilih za uporabo ponazorjene flanze.

Nihalne žage nikdar ne uporabljajte za rezanje drugih kot v navodilih za uporabo navedenih materialov.

Čelilno žago uporabljajte zgolj z varno delujočo in dobro vzdrževano zaščitno avbo. Zaščitna avba mora samodejno zanihati nazaj.

Kadar stroj obratuje in kadar glava žage ni v stanju mirovanja, iz območja žaganja ne odstranite nobenih ostankov žaganja ali drugih delov obdelovanecv.

Ne segajte na področje nevarnosti tekočega stroja.

Brezpogojno uporabljajte zaščitne priprave stroja.

Napake, ki nastopijo na napravi, vključno z varnostno pripravo ali žaginimi listi, je po odkritju potrebno takoj javiti odgovorni osebi za varnost.

Nihajni zaščitni pokrov v odprtem stanju ne sme biti fiksiran.

Dolge obdelovance je potrebno podpreti.

Nihalno žago transportiramo samo z zaskočenim transportnim varovalom na prijemalu.

Med izvajanjem zajeralnih, stožastih ali sestavljenih zajeralnih rezov, nastavite drsno ograjo, da zagotovite ustrezno razdaljo od rezila.

S primerno hitrostjo podajanja se izogibajte pregrevanju zob žaginega lista in pri rezanju umetnih mas taljenju materiala.

UPORABA V SKLADU Z NAMEMBOSTJO

Čelilna žaga je uporabna za žaganje masivnega lesa, zlepljenih surovin in umetnih mas.

Obdelovanci z okroglim ali neenakomernim prerezom (npr. drva) ni dovoljeno žagati, saj jih med žaganjem ni mogoče varno držati. Pri pokončnem žaganju ploskih obdelovanecv je potrebno za varno vodenje uporabiti primeren pomožni naslon.

PREOSTALE NEVARNOSTI

Celo pri pravilni uporabi proizvoda preostalih nevarnosti ni mogoče popolnoma izključiti. Pri uporabi lahko nastopijo sledeča tveganja, zaradi česar mora upravljallec upoštevati naslednje:

- V izogib okvari sluha je potrebno omejiti čas izpostavljenosti in nositi primerno zaščito sluha.
- Upravljallec naj izvaja ukrepe za zmanjševanje učinka vibracij in omejitev časa izpostavljenosti.
- V izogib zdravstvenih tveganj, do katerih lahko pride vsled vdihovanja prahu pri žaganju, je potrebno nositi zaščitno masko za dihanje.

AKUMULATORJI

Izmenljive akumulatorje, ki jih daljši čas niste uporabljali, pred uporabo naknadno napolnite.

Temperatura nad 50°C zmanjšuje zmogljivost izmenljivega akumulatorja. Izogibajte se daljšemu segrevanju zaradi sončnih žarkov ali gretja.

Pazite, da ostanejo priključni kontakti na polnilnem aparatu in izmenljivem akumulatorju čisti.

za optimalno življenjsko dobo je potrebno akumulatorje po uporabi do konca napolniti.

Za čim daljšo življenjsko dobo naj se akumulatorji po napolnitvi vzamejo ven iz naprave za polnjenje.

Pri skladiščenju akumulatorjev dalj kot 30 dni: Akumulator skladiščiti pri 27°C in na suhem. Akumulator skladiščiti pri



30%-50% stanja polnjenja. Akumulator spet napolniti vsakih 6 mesecev.

TRANSPORT LITIJ-IONSkih AKUMULATORJEV

Litij-ionski akumulatorji so potrjeni zakonskim določbam transporta nevarnih snovi.

Transport teh akumulatorjev se mora izvajati upoštevajoč lokalne, nacionalne in mednarodne predpise in določbe.

Potrošniki lahko te akumulatorje še nadalje transportirajo po cesti.

Komercialni transport litij-ionskih akumulatorjev s strani špediterjskih podjetij je potrjen določbam transporta nevarnih snovi. Priprava odpreme in transporta se lahko vrši izključno s strani ustrezno izšolanih oseb. Celoten proces je potrebno strokovno spremljati.

Pri transportu akumulatorjev je potrebno upoštevati sledeče točke:

V izogib kratkim stikom zagotovite, da bodo kontakti zaščiteni in izolirani. Bodite pozorni na to, da paket akumulatorja v notranjosti embalaže ne bo mogel zdrsniti. Poškodovanih ali iztekaajočih akumulatorjev ni dovoljeno transportirati. Za nadaljnja navodila se obrnite na vaše špediterstvo podjetje.

ZAŠČITA PREOBREMITIVNE AKUMULATORJA

V primeru preobremenitve akumulatorja zaradi visoke porabe toka, npr. ekstremno visokih vrtilnih momentov, nenadne zaustavitve ali kratkega stika, električno orodje 5 sekund vibrira, prikazovalnik polnjenja utripa, električno orodje pa se samodejno izklopi. Za ponoven vklop izpustite pritisno stikalo in nato znova vklopite. Pod ekstremnimi obremenitvami se akumulator premočno segreva. V tem primeru utripajo vse lučke prikazovalnika polnjenja dokler se akumulator ne ohladi. Za tem, ko prikazovalnik polnjenja ugasne lahko z delom nadaljujemo.

Za ponovno polnitev in aktiviranje akumulatorja ga je potrebno vstaviti v polnilec.

VZDRŽEVANJE

Pred vsemi deli na stroji odstranite izmenljivi akumulator.

Pred nameščanjem ali odstranjevanjem rezila žage se prepričajte, da ste orodje odklopili z napajanja.

Obrabljen mizni vložek nadomestiti.

Napravo in zaščitno pripravo čistite s suho krpo.

Pazite na to, da so prežračevalne reže stroja vedno čiste.

Uporabljajte samo Milwaukee pribor in Milwaukee nadomestne dele. Poskrbite, da sestavne dele, katerih zamenjava ni opisana, zamenjajo v Milwaukee servisni službi (upoštevajte brošuro Garancija aslovi servisnih služb).

Po potrebi se lahko pri vaši servisni službi ali direktno pri Techtronic Industries GmbH naroči eksplozijska risba naprave ob navedbi tipa stroja in številke s tipske ploščice Techtronic Industries GmbH, Max-Eyth-Straße 10, 71364 Winnenden, Germany.

CE-IZJAVA O KONFORMNOSTI

S polno odgovornostjo izjavljam, da izdelek, opisan pod „Tehnični podatki“ izpolnjuje vse ustrezne določbe direktiv

2011/65/EU (RoHS)

2006/42/ES

2014/30/EU

ter da so bili uporabljeni naslednji harmonizirani standardi

EN 62841-1:2015

EN 62841-3-9:2015

EN 55014-1:2006+A1:2009+A2:2011

EN 55014-2:2015

EN 61326-1:2013

EN 50581:2012



Winnenden, 2016-08-19

Alexander Krug / Managing Director
Pooblaščen za izdelavo spisov tehnične dokumentacije.

Techtronic Industries GmbH
Max-Eyth-Straße 10, 71364 Winnenden, Germany

SIMBOLI



POZOR! OPOZORILO! NEVARNO!



Pred vsemi deli na stroji odstranite izmenljivi akumulator.



Prosimo, da pred uporabo pozorno preberete to navodilo za uporabo.



Pri delu s strojem vedno nosite zaščitna očala.



Nosite zaščito za sluh!



Nositi zaščitne rokavice



Območje nevarnosti! Imejte roke, prste ali lahti kolikor mogoče stran od tega območja.



Stroja ne izpostavljajte dežju.



POZOR! Ne glejte v vklopljeno svetilo.



Električnih naprav ni dovoljeno odstranjevati skupaj z gospodinjstvi odpadki. Električne in elektronske naprave je potrebno zbirati ločeno in za okolju prijazno odstranitev, oddati podjetju za reciklažo. Pri krajevnem uradu ali vašem strokovnem prodajalcu se pozanimajte glede reciklažnih dvorišč in zbirnih mest.



CE-znak



UkrSEPRO oznaka o skladnosti.



EurAsian oznaka o skladnosti.



Slo

Slovensko

Tehnički podaci Vlačna pila za obrezivanje i iskošavanje	M18 FMS254
Broj proizvodnje	4569 52 01... ...000001 - 999999
Broj okretaja praznog hoda	4000 min ⁻¹
Napon baterije za zamjenu	18 V
List pile- \emptyset x Bušenje- \emptyset	254 x 30 mm
Debljina lista max.	2 mm
Debljina zuba pile min.	2,8 mm
Širina rezanja max. Kut kosog rezanja horizontalni 0°/ Nagib 0° Kut kosog rezanja horizontalni 45°/ Nagib 0° Kut kosog rezanja horizontalni 0°/ Nagib 45° Kut kosog rezanja horizontalni 45°/ Nagib 45°	91 x 289 mm 91 x 205 mm 51 x 289 mm 51 x 205 mm
Težina po EPTA-proceduri 01/2003 (Li-Ion 5,0 Ah)	20,0 kg
Informacije o buci Mjerne vrijednosti utvrđene odgovarajuće EN 62841. A-ocijenjeni nivo buke aparata iznosi tipično: Nivo pritiska zvuka (Nesigurnost K=3dB(A)) Nivo učinka zvuka (Nesigurnost K=3dB(A))	90,5 db(A) 101,5 db (A)
Nositi zaštitu sluha!	

⚠ UPOZORENIE Pročitajte sve sigurnosne upute, napomene, prikaze i podatke koje dobijete uz uređaj. Ako se ne bi poštile napomene o sigurnosti i upute to bi moglo uzrokovati strujni udar, požar i/ili teške ozljede.

Sačuvajte sve napomene o sigurnosti i upute za buduću primjenu.

⚠ SIGURNOSNE UPUTE ZA PILE ZA KOSO REZANJE

- a) **Pile za koso rezanje namijenjene su za rezanje drva ili drvenih proizvoda. Ne mogu se koristiti s brusnim reznim pločama za rezanje željeznih materijala poput poluga, šipki, prečki itd.** Abrazivna prašina uzrokuje blokadu pokretnih dijelova kao što je donji štitnik. Iskre koje nastaju zbog rezanja abrazivnih materijala spalit će donji štitnik, ureznu ploču i ostale plastične dijelove.
- b) **Kad god je moguće, koristite stezaljke da biste poduprli radni komad. Ako rukom podupirete radni komad, morate uvijek držati razmak od barem 100 mm od lista pile s obje strane. Ne koristite ovu pilu za rezanje komada koji su premali da bi se sigurno pričvrstili ili držali u ruci.** Ako je ruka preblizu listu pile, postoji povećan rizik nastanka ozljede zbog kontakta s oštricom.
- c) **Radni komad mora biti stacionaran i pričvršćen ili se mora nalaziti između ograde i stola. Ni u kojem slučaju ne stavljajte radni komad u list pile niti ne režite napamet.** Predmeti koji nisu pričvršćeni ili koji se miču mogu se odbaciti velikim brzinama te uzrokovati ozljedu.
- d) **Pilu gurajte kroz radni komad. Ne vucite je. Da biste napravili rez, podignite glavu pile i povucite je iznad radnog komada bez rezanja, pokrenite motor, pritisnite glavu pile prema dolje i gurnite pilu kroz radni komad.** Kada biste rezali uz povlačenje, list pile mogao bi se podići iznad radnog komada i naglo odbaciti pilu prema korisniku.
- e) **Nikada nemojte prekriziti ruke tako da jedna prijeđe preko namijenjene linije rezanja ispred ili iza lista pile.** Vrlo je opasno poduprijeti pilu s prekrizanim rukama npr. držati radni komad s desne strane lista pile lijevom rukom ili obrnuto.

f) **Nemojte rukama posezati iza ograde na udaljenosti manjoj od 100 mm s bilo koje strane pile kako biste uklonili ostatke drva ili zbog bilo kojeg drugog razloga dok god se oštrica vrti.** Udaljenost između lista pile koji se vrti i vaše ruke može biti drugačija nego što vam se čini te se možete ozbiljno ozlijediti.

g) **Provjerite radni komad prije rezanja. Ako je savijen ili deformiran, pričvrstite ga tako da savijeni dio bude okrenut prema ogradi. Uvijek budite sigurni u to da nema razmaka između radnog komada, ograde i stola uzduž linije reza.** Savinuti ili deformirani radni komadi mogu se okrenuti ili pomaknuti i to može uzrokovati blokadu lista pile koji se okreće tijekom rezanja. U radnom komadu ne smiju biti čavli ili strani predmeti.

h) **Koristite pilu kad se na stolu nalazi samo radni komad te kad na njemu nema alata, ostataka drva itd.** Male krhotine ili slobodni komadi drva ili ostali predmeti koji dodiruju list pile koji se okreće mogu se odbaciti velikom brzinom.

i) **Radne komade režite jedan po jedan.** Više radnih komada poredanih jedan za drugim ne mogu se adekvatno pričvrstiti ili pritegnuti te mogu blokirati list pile ili se pomaknuti tijekom rezanja.

j) **Pobrinite se za to da pilu za koso rezanje prije uporabe postavite ili smjestite na ravnu, čvrstu radnu površinu.** Takva radna površina smanjuje rizik nestabilnosti pile.

k) **Isplanirajte svoj rad. Svaki put kada promijenite postavku kuta kosine ili kuta pile pobrinite se da podesiva ograda bude pravilno postavljena tako da podupire radni komad i da sukladno ne smeta oštrici ili zaštitnom sustavu.** Kada uključite uređaj i kad nema radnog komada na stolu, pomičite list pile kroz cijelu dužinu da biste simulirali rez te da biste se uvjerali da neće biti smetnji ili opasnosti od rezanja ograde.

l) **Osigurajte adekvatnu potporu za radni komad koji je širi ili duži od stola kao što su proizužeci stola, postolja pile itd.** Radni komadi koji su duži ili širi od stola pile za koso rezanje mogu se prevrnuti ako nisu dobro poduprti. Ako se odrezani dio ili



Hrv

radni komad prevrne, može podići donji štitnik ili ga list pile koji se okreće može odbaciti.

m) Ne koristite drugu osobu kao zamjenu za produžetak stola ili kao dodatnu potporu. Nestabilna potpora radnog komada može dovesti do blokade lista pile ili pomicanja radnog komada tijekom rezanja te može povući vas i vašeg pomoćnika prema listu pile koji se okreće.

n) Odrezani dio ne smije se nikako zaglaviti ili pritisnuti o list pile koji se okreće. U slučaju ograničenog prostora, npr. korištenjem graničnika dužine, odrezani komad može se uklještitu s listom pile i biti naglo odbačen.

o) Uvijek koristite stezaljke ili predmet za fiksiranje kako biste pravilno poduprli okrugle materijale kao što su šipke i cijevi. Šipke se mogu kotrljati prilikom rezanja što može dovesti do toga da pila „zagriže“ predmet i povuče vašu ruku prema oštrici.

p) Pustite da list pile dosegne punu brzinu prije nego što dodirne radni komad. To će smanjiti opasnost od odbacivanja radnog komada.

q) Ako se radni komad ili oštrica zaglave, isključite pilu za koso rezanje. Pričekajte da se svi pokretni dijelovi zaustave i izvadite utičnicu iz izvora napajanja i/ili uklonite baterije. Tek tada možete ukloniti zaglavljenu materijal. Kontinuirano piljenje sa zaglavljenim radnim komadom može dovesti do gubitka kontrole ili oštetiti pilu.

r) Kad je rez završen, pustite prekiđač, držite glavu pile prema dolje i pričekajte da se oštrica zaustavi prije nego što uklonite odrezani komad. Posezanje rukom blizu lista pile koji se spušta je opasno.

s) Držite ruku čvrsto kada je rez nedovršen ili kada puštate prekiđač prije nego što je glava pila potpuno u donjem položaju. Zaustavljanje pile može dovesti do toga da se glava pile naglo pomakne prema dolje što može uzrokovati ozljedu.

Ostale sigurnosne i radne upute

Nosite zaštitu za sluh. Djelovanje buke može uzrokovati gubitak sluha.

Kod radova sa strojem uvijek nositi zaštitne naočale. Zaštitne rukavice, čvrste i protiv klizanja sigurne cipele kao i pregača se preporučuju.

Prašina koja nastaje kod rada je često štetna po zdravlje i ne bi smjela dospjeti u tijelo. Primijeniti usisavanje prašine i dodatno nositi prikladnu zaštitnu masku protiv prašine. Sleglu prašinu temeljito odstraniti, npr. usisati.

Pilu priključite na usisavač prilikom piljenja drveta.

Nositi zaštitne rukavice!

Preporučuje se, prije prvotne upotrebe aparata uputu o upotrebi brljivo pročitati i dati se uvesti u praktično rukovanje.

Utvrđiti da stroj uvijek ima sigurnu poziciju stajanja (npr. pričvršćenje na radioničkom stolu).

Tlo osloboditi od ostataka materijala, kao piljevine i ostataka od piljenja

Listove pile koji su oštećeni ili deformirani ne koristiti

Listovi pile, koji ne odgovaraju karakterističnim podacima u ovoj uputi o upotrebi, se ne smiju upotrebljavati.

Dopuštena je uporaba samo onih alata koji udovoljavaju normu EN 847-1.

Ne upotrebljavati listove pile izrađene od brzoreznog čelika

Izabrati list za pilu koji je prikladan za materijal koji se reže.

Dozvoljeni broj okretaja alatnih nastavaka mora najmanje biti toliki kao što je i najveći broj okretaja naveden na električnom alatu. Oprema koja ima veći broj okretaja od dozvoljenog može se polomiti i razletjeti.

Alati se moraju transportirati i čuvati u prikladnoj posudi;

Za pričvršćivanje lista pile primijeniti samo one prirubnice, koje se nalaze na slici u uputi za rad.

Pokrivnu pilu nikada ne upotrebljavati za rezanje drugih materijala, osim onih, koji su navedeni u uputi za rad.

Pokrivnu pilu koristiti samo sa sigurno funkcionirajućom i dobro održavanom zaštitnom haubom. Zaštitna hauba se mora samostalno vratiti nazad.

Kada stroj radi, a glava pile nije u stanju mirovanja, nemojte sa područja piljenja odstranjivati ostatke piljenja ili druge dijelove izradaka.

Ne sezati u područje opasnosti radećeg stroja.

Bezuvjetno upotrijebiti zaštitnu napravu stroja.

Greške u stroju, uključno zaštitnu napravu ili listove pile, se moraju prijaviti osobi nadležnoj za sigurnost, ukoliko se ove otkriju.

Njihajuća zaštitna kapa u otvorenom položaju ne smije biti prikliještena.

Materijali velike dužine koji se obrađuju, se moraju prikladno poduprijeti.

Pokrivnu pilu transportirati samo sa uskočenim transportnim osiguračem na ručici.

Kod izvođenja kutnih, rubno kutnih ili složenih kutnih rezova, namjestite klizni vodič kuta obrade da biste osigurali odgovarajući razmak od oštrice.

Izbjegavajte kroz prilagođenu brzinu pomaka pregrijavanje zuba lista pile a kod rezanja plastike topljenje materijala.

PROPISNIA UPOTREBA

Pokrivna pila je upotrebljiva za piljenje masivnog drva, ljepljenih drva, materijala sličnih drvu i plastičnih tvari.

Izratke sa okruglim i nepravilnim presjekom (npr. drva za loženje) se ne smiju piliti, jer se oni prilikom piljenja ne mogu držati. Kod osvojenih piljenja plosnatih izradaka se mora primijeniti prikladan pomoćni graničnik za sigurno vođenje.

PREOSTALE OPASNOSTI

Isto i kod propisne uporabe proizvoda se preostale opasnosti ne mogu potpuno isključiti. Kod uporabe mogu nastupiti sljedeći rizici, tako da poslužio treba sljedeće uzeti u obzir:

- Zbog izbjegavanja oštećenja sluha se mora ograničiti vrijeme ekspozicije i nositi prikladna zaštita sluha.
- Operator mora donijeti mjere, kako bi djelovanje vibracija smanjio i ograničio vrijeme ekspozicije.
- Nositi se mora maska za zaštitu disanja kako bi se izbjegli zdravstveni rizici koji mogu nastati udisanjem prašine piljenja.

BATERIJE

Baterije koje duže vremena nisu korištene, prije upotrebe napuniti.

Temperatura od preko 50°C smanjuje učinak baterija. Duže zagrijavanje od strane sunca ili grijanja izbjeci.

Priključne kontakte na uređaju za punjenje i baterijama držati čistima.

Za optimalni vijek trajanja se akumulatori poslije upotrebe moraju sasvim napuniti.



Za što moguće duži vijek trajanja, akumulatori se nakon punjenja moraju odstraniti iz punjača.

Kod skladištenja akumulatora duže od 30 dana: Akumulator skladištiti na suhom kod ca. 27°C. Akumulator skladištiti kod ca. 30%-50% stanja punjenja. Akumulator ponovno napuniti svakih 6 mjeseci.

TRANSPORT LITIJSKIH IONSKIH BATERIJA

Litijske-ionske baterije spadaju pod zakonske odredbe u svezi transporta opasne robe.

Prijevoz ovih baterija mora uslijediti uz poštivanje lokalnih, nacionalnih i internacionalnih propisa i odredaba.

Korisnici mogu bez ustručavanja ove baterije transportirati po cestama.

Komercijalni transport litijsko-ionskih baterija od strane transportnih poduzeća spada pod odredbe o transportu opasne robe. Otpremničke priprave i transport smiju izvoditi isključivo odgovarajuće školovane osobe. Kompletni proces se mora pratiti na stručan način.

Kod transporta baterija se moraju poštivati slijedeće točke:

Uvjerite se da su kontakti zaštićeni i izolirani kako bi se izbjegli kratki spojevi. Pazite na to, da blok baterija unutar pakiranja ne može proklizavati. Oštećene ili iscurjele baterije se ne smiju transportirati. U svezi ostalih uputa obratite se vašem prijevoznom poduzeću.

ZAŠTITA OD PREOPTEREĆENJA AKUMULATORA

Kod preopterećenja akumulatora kroz vrlo visoku potrošnju struje, npr. ekstremno visoki zakretni momenti, električni alat vibrira za vrijeme od 5 sekundi, pokazivač punjenja treperi i električni alat se samostalno isključuje.

Za ponovno uključivanje ispustiti okidač sklopke i zatim ponovno uključiti.

Pod ekstremnim opterećenjima se akumulator prejako zagrije. U tome slučaju trepere sve lampice pokazivača punjenja, sve dok se akumulator ne ohladi. Poslije gašenja pokazivača punjenja se može nastaviti sa radom.

Akumulator zatim utaknuti u punjač kako bi se ovaj ponovno napunio i zatim aktivirao.

ODRŽAVANJE

Prije svih radova na stroju izvaditi bateriju za zamjenu.

Prije priključivanja ili uklanjanja lista pile osigurajte da je alat iskopčan iz izvora za napajanje.

Istrošeni uložak stola promijeniti

Aparat i zaštitni uređaj čistite jednom suhom krpom.

Prореze za prozračivanje stroja uvijek držati čistima.

Primijeniti samo Milwaukee opremu i Milwaukee rezervne dijelove. Sastavne dijelove, čija zamjena nije opisana, dati zamijeniti kod jedne od Milwaukee servisnih službi (poštivati brošuru Garancija/ Adrese servisa).

Po potrebi se može zatražiti crtež eksplozije aparata uz davanje podataka o tipu stroja i desetoznamenkastog broja na pločici snage kod Vaše servisne službe ili direktno kod Techtronic Industries GmbH, Max-Eyth-Straße 10, 71364 Winnenden, Germany.

CE-IZJAVA KONFORMNOSTI

Izjavljujemo pod vlastitom odgovornošću da proizvod opisan u odjeljku „Tehnički podaci“ ispunjava sve potrebne odredbe smjernica

2011/65/EU (RoHS)

2006/42/EC

2014/30/EU

i da su korišteni sljedeći usklađeni standardi

EN 62841-1:2015

EN 62841-3-9:2015

EN 55014-1:2006+A1:2009+A2:2011

EN 55014-2:2015

EN 61326-1:2013

EN 50581:2012



Winnenden, 2016-08-19

Alexander Krug / Managing Director

Ovlašten za formiranje tehničke dokumentacije.

Techtronic Industries GmbH

Max-Eyth-Straße 10, 71364 Winnenden, Germany

SIMBOLI



PAŽNJA! UPOZORENIE! OPASNOST!



Prije svih radova na stroju izvaditi bateriju za zamjenu.



Molimo da pažljivo pročitate uputu o upotrebi prije puštanja u rad.



Kod radova na stroju uvijek nositi zaštitne naočale.



Nositi zaštitu sluha!



Nositi zaštitne rukavice!



Područje opasnosti! Ruke, šake i prste držite dalje od ovog područja.



Stroj ne izlagati kiši.



PAŽNJA Ne gledati u upaljenu lampu.



Električni uređaji se ne smiju zbrinjavati skupa sa kućnim smećem. Električni uređaji se moraju skupljati odvojeno i predati na zbrinjavanje primjereno okolišu jednom od pogona za iskorišćavanje. Raspitajte se kod mjesnih vlasti ili kod stručnog trgovca u svezi gospodarstva za recikliranje i mjesta skupljanja.



Oznaka-CE



UkrSEPRO znak konformnosti.



EurAsian znak konformnosti.



Tehniskie dati Taisnleņķa zāģis	M18 FMS254
Izlaides numurs	4569 52 01... ...000001 - 999999
Tukšgaitas apgriezienu skaits	4000 min ⁻¹
Akumulātorā spriegums	18 V
Zāģa ripas ārējais diametrs x iekšējais diametrs	254 x 30 mm
Zāģa asmens biezums maksimālais	2 mm
Zāģa asmens zobu biezums minimālais	2,8 mm
Griezumam platums maksimālais	
Zāģēšanas leņķis Horizontālais 0°/ Novirze 0°	91 x 289 mm
Zāģēšanas leņķis Horizontālais 45°/ Novirze 0°	91 x 205 mm
Zāģēšanas leņķis Horizontālais 0°/ Novirze 45°	51 x 289 mm
Zāģēšanas leņķis Horizontālais 45°/ Novirze 45°	51 x 205 mm
Svars atbilstoši EPTA -Procedure 01/2003 (Li-Ion 5,0 Ah)	20,0 kg
Trokšņu informācija	
Vērtības, kas noteiktas saskaņā ar EN 62841. A novērtētās aparatūras skaņas līmenis ir:	
Trokšņa spiediena līmenis (Nedrošība K=3dB(A))	90,5 db(A)
Trokšņa jaudas līmenis (Nedrošība K=3dB(A))	101,5 db (A)
Nēsāt trokšņa slāpētāju!	



Lat

⚠ UZMANĪBU Izlasiet visus drošības norādījumus, instrukcijas, attēlus un datus, ko saņemat kopā ar ierīci. Šeit sniegto drošības noteikumu un norādījumu neievērošana var izraisīt aizdegšanos un būt par cēloni elektriskajam triecienam vai nopietnam savainojumam.
Pēc izlasīšanas uzglabājiet šos noteikumus turpmāki izmantošanai.

⚠ LEŅĶZĀGA DROŠĪBAS NORĀDĪJUMI

- a) Leņķzāģi ir paredzēti koksnes vai koksnei līdzīgu materiālu zāģēšanai, tos nevar lietot tādu dzelzs materiālu zāģēšanai kā stabi, stieņi, skrūves utt.** Abrazīvi putekļi izraisa kustīgo detaļu, piemēram, apakšējo aizsargvāku, bloķēšanos. Zāģēšanas dzirksteles aizdedzina apakšējo aizsargvāku, ieliktni un citas plastmasas detaļas.
- b) Pēc iespējas nofiksējiet sagatavi ar spilēm. Ja turēsiet sagatavi ar roku, rocai vienmēr jābūt vismaz 100 mm attālumā no katras zāģa plātnes puses. Nelietojiet šo zāģi tādu sagatavju zāģēšanai, kuras ir pārāk mazas, lai tās varētu droši iespilēt vai turēt ar roku.** Ja roka atrodas pārāk tuvu zāģa plātnei, plātne to var viegli aizskart.
- c) Sagatavei jābūt nekustīgai un iespilētai vai droši turētai attiecībā pret atturi un galdu. Nebīdīet sagatavi uz zāģa plātni un nekad nezāģējiet «plikām rokām». Neiespilētas vai kustīgas sagataves var tikt izmestas lielā ātrumā, izraisot traumas.**
- d) Bīdīet zāģi caur sagatavi. Nevelciet zāģi caur sagatavi. Lai veiktu zāģējumu, paceliet zāģa galvu un pārvelciet to pāri sagatavei nezāģējot. Tad ieslēdziet motoru, pagrieziet zāģa bloku uz leju un spiediet zāģi caur sagatavi.** Ja zāģē velkot, rodas risks, ka zāģa plātne sagatavē paceļas un zāģa plātnes bloks ar varu tiek izmests uz operatoru.
- e) Nekad ar roku nešķērsojiet paredzēto zāģējuma līniju ne pirms, ne aiz zāģa plātnes.** Ir ļoti bīstami atbalstīt sagatavi «ar sakrustotām rokām», proti, turēt sagatavi labajā pusē blakus zāģa plātnei ar kreiso roku vai otrādi.
- f) Kad zāģa plātne griežas, nelieciet rokas aiz attura un vienmēr ievērojiet 100 mm drošības attālumus starp roku**

un rotējošu zāģa plātni katrā tās pusē, piemēram, kad tirāt koksnes atkritumus. Rotējošas zāģa plātnes tuvums rocai var nebūt acimredzams, un tādējādi var rasties smagas traumas.

g) Pirms zāģēšanas pārbaudiet sagatavi. Ja sagatave ir izliekta vai sagriezusies, iespilējiet to ar uz āru izliekto pusi pret atturi. Vienmēr pārliecinieties, ka pa zāģējuma vietu nav spraugas starp sagatavi, atturi un galdu. Izliektas vai sagriezusies sagataves var pagriezties vai savērpties un izraisīt rotējošās zāģa plātnes iesprūšanu zāģēšanas laikā. Sagatavē nedrīkst būt naglas vai svešķermeņi.

h) Lietojiet zāģi tikai tad, kad galds ir brīvs no instrumentiem, koksnes atkritumiem utt.; uz galda drīkst atrasties tikai sagatave. Nelieli atkritumi, nenostiprināti koka gabali vai citi priekšmeti, saskaroties ar rotējošu zāģa plātni, var tikt izmesti lielā ātrumā.

i) Vienā reizē zāģējiet tikai vienu sagatavi. Vairākas sakrutas sagataves nevar atbilstoši iespilēt vai noturēt, un zāģēšanas laikā tas var izraisīt plātnes iesprūšanu vai tās var noslidēt.

j) Pirms lietošanas novietojiet leņķzāģi uz līdzenas un cietas darba virsmas. Līdzena un cietā darba virsma mazina risku, ka leņķzāģis var kļūt nestabils.

k) Plānojiet savu darbu. Regulējiet zāģa plātnes slīpumu vai leņķi, vienmēr ievērojiet, lai pareizi būtu noregulēts regulējama atturis un sagatave būtu pareizi atbalstīta, nesaskaroties ar plātni vai aizsargvāku. Neieslēdzot mašīnu un bez sagataves uz galda, ir jāizmēģina zāģa plātnes pilna zāģēšanas kustība, lai pārliecinātos, ka nerodas traucējumi vai risks iezāģēt atturi.

l) Nodrošiniet pietiekamu atbalstu sagatavēm, kas ir platākas vai garākas par galda augšpusi, piemēram, ar galda pagarinājumiem vai stēķiem. Sagataves, kas ir garākas vai platākas par leņķzāģa galdu, var apgāzties, ja tās nav nekustīgi atbalstītas. Ja nozāģēta koksnes daļa vai sagatave apgāžas, tā var paceļt apakšējo aizsargvāku un plātne to var nekontrolēti izmest.

m) Neizmantojiet citu personu, lai aizvietotu galda pagarinājumu vai papildu balstu. Sagataves nestabila

Latviski

atbalstīšana vai izraisīt plātnes iesprūšanu. Tāpat zāģēšanas laikā sagatave var pārdibīties un ievilk operatoru vai palīgu rotējošā plāksnē.

n) Nozāģēto gabalu nedrīkst spiest pret rotējošu zāģa plātņi. Ja ir pārāk maz vietas, piemēram, izmantojot garenvirziena atturus, nozāģējtais gabals var saķīlēt plātņi un ar varu tikt izmests.

o) Vienmēr lietojiet spiles vai piemērotu mehānismu, lai atbalstītu apaļu materiālu, piemēram, stienus vai caurules. Stieniem zāģēšanas laikā ir tendence ripot, kā rezultātā plātne var «iestrēgt» un ievilk sagatavi kopā ar operatora roku plātņē.

p) Pirms sagataves zāģēšanas ļaujiet plātnei sasniegt pilnu apgriezīgu skaitu. Tas palīdz izvairīties no sagataves izmetes.

q) Ja sagatave iesprūst vai plātne bloķējas, izslēdziet leņķzāģi. Nogaidiet, līdz apstājas visas kustīgās detaļas, izvelciet kontaktdakšun un/vai izņemiet akumulatoru. Pēc tam izņemiet iesprūdušo materiālu. Ja turpināt zāģēt šādas bloķēšanas gadījumā, iespējams kontroles zudums vai leņķzāģa bojājumi.

r) Pēc pabeigta zāģējuma atlaidiet slēdzi, turiet zāģa galvu leņķi un nogaidiet, līdz plātne apstājas, pirms izņemat nozāģēto gabalu. Ir ļoti bīstami sniegties ar roku vēl nepastājušās plātnes tuvumā.

s) Turiet stingri rokturi, ja veicat nepilnu zāģējumu vai atlaižat slēdzi, pirms zāģa galva ir sasniegusi apakšējo gala pozīciju. Zāģa bremzēšanas darbība var izraisīt zāģa galvas pēkšņu novilkšanu uz leju, izraisot traumu risku.

Citas drošības un darba instrukcijas

Nēsājiet ausu aizsargus. Trokšņa iedarbība var izraisīt dzirdes zudumu.

Strādājot ar mašīnu, vienmēr jānēsā aizsargbrilles. Tiek ieteikts nēsāt arī aizsargcimdus, slēgtus, neslidošus apavus un priekšautu.

Putekļi, kas rodas strādājot, bieži ir kaitīgi veselībai, un tiem nevajadzētu nokļūt ķermenī. Vajag izmantot putekļusūcēju un bez tam nēsāt masku, kas pasargā no putekļiem. Nosēdušos putekļus vajag aizvākt, piem. nosūknēt.

Zāģējot kokmateriālu, pieslēdziet iekārtai putekļsūcēju.

Jāvalkā aizsargcimdi!

Pirms instrumenta pirmās lietošanas tiek ieteikts izlasīt lietošanas pamācību un iepazīties ar tā praktisko pielietojumu

Nodrošināt, lai ierīce vienmēr stāvētu stabili (piem., piestiprinot pie darbgalda).

Raudzīties, lai uz grīdas nemētos materiālu atlikumi, piem., zāģskaidas, atgriezumi.

Neizmantojot bojātus vai deformētus zāģa diskus.

Zāģu ripas, kas neatbilst šīn lietošanas pamācībā minētajiem datiem, nedrīkst izmantot.

Drīkst izmantot tikai standartam EN 847-1 atbilstošus darbinstrumentus.

Nelietojiet zāģa plātnes, kas izgatavotas no ātrām darbām paredzētā tērauda.

Lietojiet zāģa plātņi, kas ir piemērota attiecīgā materiāla griešanai. Iesaistāmā instrumenta pieļaujamajam apgriezīgu skaitam jābūt vismaz tik augstam kā uz elektroinstrumenta norādītajam maksimālajam apgriezīgu skaitam. Apsīkojums, kurš rotē ātrāk par pieļaujamu ātrumu, var salūzi un tikt atņemts atpakaļ

Darbinstrumentu pārnēsāšanai un glabāšanai jāizmanto piemērota tvertne.

Zāģa plātnes nostiprināšanai lietojiet tikai mašīnai pievienotos un lietošanas instrukcijā attēlotos nostiprināšanas atlokus.

Nekad nelietojiet sagarināšanas zāģi citu materiālu griešanai, kā norādīts lietošanas instrukcijā.

Sagarumošanas zāģis izmantot tikai ar droši funkcionējošu un tehniski kārtīgu aizsargvāku. Aizsargvākam jābūt automātiski nobloķējošamies.

Neizņem zāģēšanas pārpalikumus vai citus formu fragmentus no zāģēšanas iekārtas, ja tā ir iedarbināta un zāģis neatrodas mierīgā pozīcijā.

Nelikt rokas mašīnas darbības laukā.

Noteikti vajag izmantot mašīnai paredzēto aizsargapriekojumu.

Ja mašīna, ieskaitot aizsardzības ierīces vai zāģa plātņi, ir radusies kļūda, tad tikko kā tā ir konstatēta, par to jāziņo personai, kas ir atbildīga par drošības tehniku.

Aizsargpārvalku nedrīkst fiksēt atvērtā stāvoklī.

Garas apstrādājamās sagataves piemērotā veidā atbalstiet.

Sagarināšanas zāģi transportējiet tikai aiz roktura, ar ieslēgtu transportēšanas drošinātāju.

Veicot slīpizstrādāšanu, nošļaušanu vai sarežģītus slīpos griezumus, neregulējiet slīdošo barjeru, lai nodrošinātu pareizu attālumu no asmens.

Lai novērstu zāģa ripas zobu pārkaršanu un, griežot plastmasas izstrādājumus, materiāla sakušanu, izmantojiet piemērotu padeves ātrumu.

NOTEIKUMIEM ATBILSTOŠS IZMANTOJUMS

Sagarumošanas zāģis ir piemērots veselul koku, limētas koksnes, kokveidīgu sagatavju un plastmasas zāģēšanai.

Formas ar apaļu vai neregulāru šķēsgriezumu (piem., malka, nedrīkst tikt zāģētas, ja zāģēšanas procesa laikā tās netiek droši nstiprinātas. Zāģējot augstās malas plakanajām formām ir jāizmanto piemērots instruments zāģa drošai vadībai.

PĀRĒJIE RISKI

Pat lietojot ierīci atbilstoši noteikumiem, nav iespējams pilnībā izslēgt citus riskus. Ierīces izmantošanas laikā var rasties turpmākie riska faktori, kādēļ ierīces lietotājam nepieciešams ievērot turpmākās norādes:

- Lai izvairītos no paliekošiem dzirdes traucējumiem, ierobežojiet darba ilgumu ar ierīci un lietojiet piemērotus dzirdes aizsardzības līdzekļus.
- Ierīces lietotājam ir jāveic nepieciešamie pasākumi, lai mazinātu vibrāciju radīto ietekmi, kā arī samazinātu darba ilgumu ar ierīci.
- Strādājot ar ierīci, ir jālieto elpošanas maskas, lai izvairītos no veselības problēmām, ko izraisa radīto putekļu ieelpošana.

AKUMULĀTORI

Akumulātori, kas ilgāku laiku nav izmantoti, pirms lietošanas jāuzlādē.

Pie temperatūras, kas pārsniedz 50°C, akumulātoru darbība tiek negatīvi ietekmēta. Vajag izvairīties no ilgākas saules un karstuma iedarbības.

Lādētāja un akumulātoru pievienojuma kontakti jāuztur tīri.

Lai baterijas darba ilgums būtu optimāls, pēc iekārtas izmantošanas tā jāuzlādē.



Lat

Lai akumulatori kalpotu pēc iespējas ilgāku laiku, tos pēc uzlādes ieteicams atvienot no lādētāj ierīces.

Akumulatora uzglabāšana ilgāk kā 30 dienas: uzglabāt akumulatoru pie aptuveni 27° C un sausā vietā. Uzglabāt akumulatoru uzlādes stāvoklī aptuveni pie 30%-50%. Uzlādēt akumulatoru visus 6 mēnešus no jauna.

LITĪJA JONU AKUMULATORU TRANSPORTĒŠANA

Uz litija jonu akumulatoriem attiecas noteikumi par bīstamo kravu pārvadāšanu.

Šo akumulatoru transportēšana jāveic saskaņā ar vietējiem, valsts un starptautiskajiem normatīvajiem aktiem un noteikumiem.

Patērētāja darbības, pārvadājot šos akumulatorus pa autoceļiem, nav reglamentētas.

Uz litija jonu akumulatoru komerciālu transportēšanu, ko veic ekspedīcijas uzņēmums, attiecas bīstamo kravu pārvadāšanas noteikumi. Sagatavošanas darbus un transportēšanu drīkst veikt tikai atbilstoši apmācīts personāls. Viss process jāveda profesionāli.

Veicot akumulatoru transportēšanu, jāievēro:

Pārliecinieties, ka kontakti ir aizsargāti un izolēti, lai izvairītos no īssavienojumiem. Pārliecinieties, ka akumulators iepakojumā nevar pasildēt. Bojātus vai tekošus akumulatorus nedrīkst transportēt. Plašāku informāciju Jūs varat saņemt no ekspedīcijas uzņēmuma.

AKUMULATORA AIZSARDZĪBA PRET PĀRSLOGOJUMU

Akumulatoru pārslogojuma gadījumos, esot ļoti lielam elektroenerģijas patēriņam, piem., ārkārtīgi augsts griezes moments, pēkšņa apstāšanās vai īssavienojums, elektriskais darbarīks 5 sekundes vibrē, uzlādes indikators mirgo, un elektriskais darbarīks pats izslēdzas.

Lai to atkal ieslēgtu, atļaidiet ieslēgšanas pogu un tad to ieslēdziet no jauna.

Esot ārkārtīgi augstam noslogojumam, akumulators sakarst pārāk daudz. Šādā gadījumā visas uzlādes indikatora lampiņas mirgo tik ilgi, kamēr akumulators ir atdzisis. Darbu varat turpināt, kad uzlādes indikators vairs nedeg.

Akumulatoru var ievietot lādētājā, lai to atkal uzlādētu un aktivizētu.

APKOPE

Pirms mašīnai veikt jebkāda veida apkopes darbus, ir jāizņem arī akumulators.

Pirms zāģa asmens pievienošanas vai noņemšanas noteikti atslēdziet instrumentu no strāvas padeves.

Nomainīt nolietoto galda plati.

Iekārtu aizsardzības aprīkojumu jātīra ar tīru un sausu lupatiņu.

Vajag vienmēr uzmanīt, lai būtu tīras dzesēšanas atveres.

Izmantojiet tikai firmu Milwaukee piederumus un firmas Milwaukee rezerves daļas. Ielieciet nomainīt detaļas, kuru nomaīņa nav aprakstīta, kādā no firmu Milwaukee klientu apkalpošanas servisiem. (Skat. brošūru „Garantija/klientu apkalpošanas serviss“.)

Ja nepieciešams, klientu apkalpošanas servisā vai tieši pie firmas Techtronic Industries GmbH, Max-Eyth-Straße 10, 71364 Winnenden, Germany, var pieprasīt instrumenta numurs, kas norādīts uz jaudas paneļa.

ATBILSTĪBA CE NORMĀM

Mēs ar pilnu atbildību paziņojam, ka izstrādājums, kas raksturots sadaļā „Tehniskie dati“, atbilst visām attiecīgajām prasībām direktīvās

2011/65/ES (RoHS)

2006/42/EK

2014/30/ES

un ir piemēroti šādi saskaņotie standarti

EN 62841-1:2015

EN 62841-3-9:2015

EN 55014-1:2006+A1:2009+A2:2011

EN 55014-2:2015

EN 61326-1:2013

EN 50581:2012



Winnenden, 2016-08-19

Alexander Krug / Managing Director

Pilnvarotais tehniks dokumentācijas sastādīšanā.

Techtronic Industries GmbH

Max-Eyth-Straße 10, 71364 Winnenden, Germany

SIMBOLI



UZMANĪBU! BĪSTAMI!



Pirms mašīnai veikt jebkāda veida apkopes darbus, ir jāizņem arī akumulators.



Pirms sākt lietot instrumentu, lūdz, izlasiet lietošanas pamācību.



Strādājot ar mašīnu, vienmēr jānēsā aizsargbrilles.



Nēsāt trokšņa slāpētāju!



Jāvalkā aizsargcimdi!



Bīstama zona! Sekojiet, lai Jūsu rokas, delnas un pirksti atrastos pēc iespējas tālāk no šīs zonas.



Ierīci sargājiet no lietus.



UZMANĪBU! Nelūkoties uz ieslēgto lampu!



Elektroiekārtas nedrīkst iznest kopā ar sadzīves atkritumiem. Elektriskās un elektroniskās iekārtas ir jāsavāc atsevišķi un jānodod pārstrādes uzņēmumam, kas no tām atbrīvosies dabai draudzīgā veidā. Meklējiet atbilstošās pārstrādes poligonus un savākšanas punktus vietējās pārvaldes iestādēs vai pie preces pārdevēja.



CE marķējums



UkrSEPRO atbilstības marķējums.



EurAsian atbilstības marķējums.



Lat

Latviski

Techniniai duomenys Traukiamasis kampinis apipjovimo pjūklas	M18 FMS254
Produkto numeris	4569 52 01... ...000001 - 999999
Sūkių skaičius laisva eiga	4000 min ⁻¹
Keičiamo akumuliatoriaus įtampa	18 V
Pjovimo disko ø x grežinio ø	254 x 30 mm
Pjūtklo disko korpuso storis maks.	2 mm
Pjūtklo disko dantuko storis min.	2,8 mm
Pjūvio plotis maks. Įstrižo pjūvio kampas horizontalioje plokštumoje 0°/ Nuokrypis 0° Įstrižo pjūvio kampas horizontalioje plokštumoje 45°/ Nuokrypis 0° Įstrižo pjūvio kampas horizontalioje plokštumoje 0°/ Nuokrypis 45° Įstrižo pjūvio kampas horizontalioje plokštumoje 45°/ Nuokrypis 45°	91 x 289 mm 91 x 205 mm 51 x 289 mm 51 x 205 mm
Prietaiso svoris įvertintas pagal EPTA 2003/01 tyrimų metodiką (Li-Ion 5,0 Ah)	20,0 kg
Informacija apie keliamą triukšmą Vertės matuotos pagal EN 62841. Įvertintas A įrenginio keliamo triukšmo lygis dažniausiai sudaro: Garso slėgio lygis (Paklaida K=3dB(A)) Garso galios lygis (Paklaida K=3dB(A)) Nešioti klausos apsaugines priemones!	90,5 db(A) 101,5 db (A)



Liet

⚠ DĖMESIO Perskaitykite visas saugos nuorodas, instrukcijas, iliustracijas ir duomenis, kuriuos gaunate su prietaisu. Jei nepaisysite žemiau pateiktų saugos nuorodų ir reikalavimų, gali trenkti elektros smūgis, kilti gaisras ir/arba galite sunkiai susižaloti arba sužaloti kitus asmenis.

Išsaugokite šias saugos nuorodas ir reikalavimus, kad ir ateityje galėtumėte jais pasinaudoti.

⚠ ĮSTRIŽO PJOVIMO STAKLIŲ SAUGOS INSTRUKCIJOS

- Įstrižo pjovimo staklės skirtos medienai ir gaminiam, panašiems į medieną pjauti, staklėmis negalima pjauti naudojant abrazyvinius pjovimo diskus, skirtus pjauti tokias medžiagas kaip strypai, juostos, smeigės ir pan.** Dėl šlifavimo dulkių pradeda strigti judančios dalys, pavyzdžiui, apatinis gaubtas. Abrazyvinio pjovimo darbų kibirkštys išdeginas apatinį gaubtą, idėklą įpjovai ir kitas plastmasines dalis.
- Jei įmanoma, pritvirtinkite ruošinį spaustukais. Jei ruošinį prilaikote ranka, privalote ją laikyti bent 100 mm atstumu nuo bet kurios pjovimo disko pusės. Nenaudokite šių staklių dalimis, kurios yra per mažos, kad būtų tvirtai prispaustos arba prilaikomos ranka, pjauti.** Jei ranka padėta per arti pjovimo disko, padidėja pavojus susižaloti prisilietus prie disko.
- Ruošinys turi būti stacionarus ir priveržtas arba laikomas prie kreiptuvo ir stalo. Nestumkite ruošinį į diską, nepjaukite „laisvomis rankomis“.** Nepritvirtinti arba judantys ruošiniai gali būti išmesti dideliu greičiu ir sužaloti.
- Stumkite stakles per ruošinį. Netraukite staklių per ruošinį. Norėdami atlikti pjūvį pakelkite pjovimo galvutę ir traukite ją per ruošinį nepjudami, paleiskite variklį, spauskite pjovimo galvutę žemyn ir stumkite stakles per ruošinį.** Pjaunant traukimo judesiu pjovimo diskas gali pakilti ant ruošinio, o disko blokas gali stipriai trenktis į operatoriaus pusę.
- Niekada nedėkite rankos kryžmai virš numatytos pjovimo linijos, tiek prieš pjovimo diską, tiek ir už jo.** Labai pavojinga prilaikyti ruošinį „sukeitus rankas“, t. y. laikyti ruošinį kaire ranka dešinėje pusėje nuo pjovimo disko ir atvirščiai.

f) Diskui sukantis nesiekite bet kuria ranka už kreiptuvo arčiau negu 100 mm atstumu nuo bet kurios pjovimo disko pusės, jei norite pašalinti medienos likučius ar dėl kurios nors kitos priežasties. Galite nepajusti, kai besisukantis pjovimo diskas bus arti rankos, todėl galite sunkiai susižaloti.

g) Prieš pjudami apžiūrėkite ruošinį. Jei ruošinys yra sulinkęs ar iškrypęs, prispauskite jį prie kreiptuvo neiškrypusia dalimi. Visada patikrinkite, ar palei pjovimo liniją tarp ruošinio, kreiptuvo ir stalo nėra tarpų. Sulinkę ar iškrypę ruošiniai gali pasisukti arba pasislinkti, todėl pjaunant įstrigti besisukančiame pjovimo diske. Ruošinyje neturi būti vinių ar pašalinųjų daiktų.

h) Nenaudokite staklių, kol ant stalo yra paliktų įrankių, medienos likučių ir pan., turi likti tik ruošinys. Smulkios nuopjovos ar laisvi medienos ar kitų daiktų gabalėliai prisilietę prie besisukančio disko gali būti išsviesti dideliu greičiu.

i) Vienu metu pjaukite tik vieną ruošinį. Kelių ruošinių, sudėtų vienas ant kito, negalima tinkamai prispausti ar sutvirtinti, todėl pjaunant jie gali užstrigti prie disko ar pasislinkti.

j) Prieš naudodami patikrinkite, ar įstrižo pjovimo staklės yra uždėtos ar pritvirtintos prie lygaus ir tvirto darbo paviršiaus. Dėl lygaus ir tvirto darbo paviršiaus sumažėja pavojus įstrižo pjovimo staklėmis tapti nestabilioms.

k) Kiekvieną kartą keisdami nuožambio ar įstrižo pjovimo kampo nustatymus įsitikinkite, kad reguliuojamas kreiptuvas yra nustatytas tinkamai, prilaiko ruošinį ir netrukdo diskui ar apsauginei sistemai pagal. Prieš ĮJUNGdami įrankį pastumkite pjovimo diską visu būsimu pjūviu be ruošinio, kad įsitikintumėte, jog nebus jokių trukdžių ir pavojaus įpjauti kreiptuvą.

l) Jei ruošinys yra platesnis ar ilgesnis už stalviršį, pasirūpinkite pakankama atrama, pavyzdžiui, stalo pailginimu, pjovimo stovais ar pan. Tinkamai neatremti, ilgesni ar platesni už įstrižo pjovimo staklių stalą ruošiniai gali nuvirsti. Jei atpjauta dalis ar ruošinys nuvirsta, jie gali pakelti apatinę staklių apsaugą, taip pat juos gali išsviesti besisukantis diskas.

Lietuviškai

m) Kito žmogaus pagalba negali atstoti stalo pailginimo. Dėl nestabilios ruošinio atramos pjaunant diskas gali įstrigti arba ruošinys gali pasislinkti, todėl jūs arba jūsų pagalbininkas gali būti trūktelėtas link besisukančio disko.

n) Nupjautos dalies negalima spausti, tiesiogiai ar ne, prieš besisukančio pjovimo disko. Prispaušta, pvz., naudojant ilgio stabdiklius, nupjauta dalis gali įsispausti prieš diską ir būti smarkiai išsviesta.

o) Apvalias medžiagas, pavyzdžiui, strypus ar vamzdelius visada tinkamai atremkite naudodami spaustuvus ar fiksavimo įrangą. Pjaunami strypai linkę riedėti, todėl diskas gali įsispausti į juos, traukdamas ruošinį ir jūsų rankas į diską.

p) Prieš pridėdam diską prie ruošinio diskas turi pasiekti visą savo sukimosi greitį. Taip sumažės ruošinio išsviedimo rizika.

q) Jei ruošinys ar diskas įstrigo, išjunkite įstrižo pjovimo stakles. Palaukite, kol visos judančios dalys sustos, tada ištraukite kištuką iš elektros lizdo ir (arba) išimkite akumuliatorių pakuotę. Tada atlaisvinkite įstrigusį ruošinį. Jei toliau pjausite įstrigusį ruošinį, galite prarasti įstrižo pjovimo staklių kontrolę arba jas apgadinti.

r) Užbaigę pjovimą atleiskite jungiklį, laikykite pjovimo galvutę nukreiptą žemyn ir palaukite, kol diskas nebesuks, tada išimkite ruošinį. Siekti ranka šalia disko, judančio iš inercijos, yra pavojinga.

s) Atlikdami nevisą pjūvį ar atleisdami jungiklį laikykite rankeną tvirtai, kol pjovimo galvutė bus visiškai apatinėje padėtyje. Dėl pjovimo staklių stabdymo veiksmo pjovimo galvutė staiga atšokti žemyn, taip kyla pavojus susižaloti.

Kiti saugumo ir darbo nurodymai

Nešiokite klausos apsaugos priemonės. Dėl didelio triukšmo poveikio gali būti pažeidžiama klausos.

Dirbdami su įrenginiu visada nešiokite apsauginius akinius. Rekomenduotina nešioti apsaugines pirštines, tvirtus batus neslidžiu padu bei prijuostę.

Darbo metu kylančios dulksės dažnai kenkia sveikatai, todėl turėtų nepatekti į organizmą. Naudokite dulkių nusiurbimą, papildomai nešiokite tinkamą apsaugą nuo dulkių kaukę. Kruopščiai pašalinkite, pvz. nusiurbkite, nusėdusias dulkes.

Pjaudami medieną, pjūklą prijunkite prie dulkių siurblio.

Lietojiet aizsardzības cimdus!

Mes rekomenduojame, prieš pirmą kartą naudojant prietaisą, atidžiai perskaityti naudojimo instrukciją ir išklausti paaiškinimų apie praktinį naudojimą.

Užtikrinti, kad įrenginys stovėtų stabiliai (pvz., pritvirtinti prie darbatalio)

Pasirūpinti tvarka, kad ant grindų nesimėtytų medžiagų atliekos: drožlės, nuopjovos.

Nenaudoti apgadintų ir deformuotų pjūklo diskų.

Draudžiama naudoti pjovimo diskus, kurie neatitinka šioje naudojimo instrukcijoje nurodytų žyminių duomenų.

Leidžiama naudoti tik tokius įrankius, kurie atitinka normą EN 847-1.

Negalima naudoti iš greitapjūvio plieno pagamintų pjovimo diskų. Pasirinkite pjaunamai medžiagai tinkamą pjovimo diską.

Panaudojamų dalių leistinas apsisukimų skaičius turi būti mažiausiai tokio dydžio, koks yra nurodytas didžiausias apsisukimų skaičius ant elektros prietaiso. Dalys, kurios sukasi greičiau negu yra leistina, gali sulūžti ir skristi į šalį.

Įrankius transportuoti ir laikyti reikia tam tikslui pritaikytose dėžėse.

Pjovimo diskui pritvirtinti galima naudoti tik pridėdamas ir naudojimo vadove pavaizduotas įvares.

Nupjovimo pjūklą niekada nenaudokite kitokioms medžiagoms pjauti, nei tai nurodyta naudotojo vadove.

Diskiniu pjūklą su gaubtu galima naudoti tik turint saugiai veikiančią ir techniškai prižiūrėtą apsauginį gaubtą. Apsauginis gaubtas turi automatiškai užsiblokuoti.

Nešalinti jokių pjovimo likučių ar kitų pjovimo detalių liekanų, jei mašina veikia, o pjūklą galvutė nėra pradinėje padėtyje.

Nekiškite rankų į veikiančio įrenginio pavojaus zoną.

Būtinai naudokite įrenginio saugos įtaisus.

Pastebėjus bet kokius mašinos, taip pat ir saugos įrenginių bei pjovimo disko gedimus, tai reikia tuojau pat pranešti už saugumą atsakingam asmeniui.

Draudžiama užfiksuoti atidarytą stumdomą apsauginį gaubtą.

Jei pjaunami objektai ilgi, juos tinkamai paremkite.

Nupjovimo pjūklą gabenkite tik už rankenos, užsklendę transportinį skląstį.

Atlikdami įžambius, įstrižus arba įžambius kombinuotus pjovimus, sureguliuokite slankiąją tvorelę taip, kad užtikrintumėte tinkamą atstumą nuo ašmenų.

Dėl suderinto tiekimo greičio išvengsite pjovimo disko dantukų perkaitinimo, o pjaunant plastiką išvengsite medžiagos išsilydymo.

NAUDOJIMAS PAGAL PASKIRTĮ

Diskinis pjūklas su gaubtu naudojamas masyviai ir klijuotai medienai, kitoms panašioms į medį gamybinėms medžiagoms ir plastikui pjauti.

Apvalaus ar netaisyklingo skersinio pjūvio detalių, pavyzdžiui, malkų, pjaustyti negalima, kadangi pjaunant jų neįmanoma saugiai pritvirtinti. Pjaunant plokščias detales briauna žemyn reikia panaudoti tinkamą pagalbinę atramą apsaugai užtikrinti.

KITI PAVOJAI

Net ir pagal paskirtį naudojant produktą negalima visiškai išvengti kitų pavojų. Naudojant galimos šios rizikos, todėl naudotojas turėtų atkreipti dėmesį į šiuos dalykus:

- Norint nepažeisti klausos, reikia roboti naudojimo laiką ir dėvėti tinkamą klausos apsaugą.
- Naudotojas turėtų imtis priemonių, kad sumažintų vibracijos poveikį ir roboti naudojimo laiką.
- Būtina dėvėti kvėpavimo apsaugą, siekiant išvengti sveikatai keliamų pavojų, kylančių įkvėpus pjovimo metu atsiradusių dulkių.

AKUMULIATORIAI

Ilgesnį laiką nenaudotus keičiamus akumuliatorius prieš naudojimą įkraukite.

Aukštesnė nei 50°C temperatūra mažina keičiamų akumuliatorių galią. Venkite ilgesnio saulės ar šilumos šaltinių poveikio.

Įkroviklio ir keičiamo akumuliatoriaus jungiamieji kontaktai visada turi būti švarūs.

Kad prietaisas kuo ilgiau veiktų, pasinaudoję juo, iki galo įkraukite akumuliatorius.



Siekiant užtikrinti kuo ilgesnį baterijos tarnavimo laiką, reikėtų ją po atlikto įkrovimo iškart išimti iš įkroviklio.

Bateriją laikant ilgiau nei 30 dienų, būtina atkreipti dėmesį į šias nuorodas: bateriją laikyti sausoje aplinkoje, esant apie 27 °C temperatūrai. Baterijos įkrovimo lygis turi būti nuo 30% iki 50%. Baterija pakartotinai turi būti įkraunama kas 6 mėnesius.

LIČIO JONŲ AKUMULIATORIŲ PERVEŽIMAS

Ličio jonų akumulatoriams taikomos įstatyminės nuostatos dėl pavojingų krovinių pervežimų.

Šiuos akumulatorius pervežti būtina laikantis vietinių, nacionalinių ir tarptautinių direktyvų ir nuostatų.

Naudotojai šiuos akumulatorius gali naudoti savo transporte be jokių kitų sąlygų.

Už komercinį ličio jonų akumuliatorių pervežimą atsako ekspedicijos įmonė pagal nuostatas dėl pavojingų krovinių pervežimo. Pasiruošimo išsiųsti ir pervežimo darbus gali atlikti tik atitinkamai išmokyti asmenys. Visas procesas privalo būti prižiūrimas.

Pervežant akumulatorius būtina laikytis šių punktų:

Siekiant išvengti trumpųjų jungimų, įsitinkite, kad kontaktai yra apsaugoti ir izoliuoti. Atkreipkite dėmesį, kad akumulatorius pakautės viduje neslidinėtų. Draudžiama pervežti pažeistus arba tekančius akumulatorius. Dėl detalesnių nurodymų kreipkitės į savo ekspedicijos įmonę.

APSAUGA NUO AKUMULIATORIAUS PERKROVOS

Esant akumulatoriaus perkrovai dėl pernelyg didelio srovės suvartojimo, pvz.: itin didelių apsučių, staigaus sustabdymo ar trumpojo jungimo, elektrinis įrankis vibruoja 5 sekundes, signalinis įkrovos rodmuo pradeda mirksėti ir elektrinis įrankis automatiškai išsijungia.

Norint įrankį pakartotinai įjungti, reikia atleisti jungiklį ir vėl jį įjungti.

Esant ekstremalioms apkrovoms akumulatorius per stipriai įkaista. Tokiu atveju visos įkrovos lemputės mirksi taip ilgai, kol akumulatorius atvėsta. Užgesus įkrovos rodmėnims įrankiu galima naudotis toliau.

Tada akumuliatorių reikia įkišti į kroviklį, kad jis įsikrautų ir veiktų.

TECHNINIS APTARNAVIMAS

Prieš atlikdami bet kokius darbus įrenginyje, išimkite keičiamą akumuliatorių.

Prieš montuodami ar nuimdami pjūklų geležtę, įrankį nuo elektros maitinimo šaltinio būtinai atjunkite.

Pakeisti susidėvėjusią stalo plokštę.

Sausu skudurėliu nuvalykite prietaisą ir apsauginį įrenginį.

Įrenginio vėdinimo angos visada turi būti švarios.

Naudokite tik „Milwaukee“ priedus ir „Milwaukee“ atsargines dalis. Dalis, kurių keitimas neaprašytas, leidžiama keisti tik „Milwaukee“ klientų aptarnavimo skyriams (žr. garantiją/klientų aptarnavimo skyrių adresus brošiūroje).

Jei reikia, nurodant įrenginio tipą bei specifikacijų lentelėje esantį numerį, iš klientų aptarnavimo skyriaus arba tiesiai iš Techtronic Industries GmbH, Max-Eyth-Straße 10, 71364 Winnenden, Germany, galima užsakyti prietaiso surinkimo brėžinius.

CE ATITIKTIES PAREIŠKIMAS

Prisimindami visą atsakomybę pareiškiamo, kad gaminyje, aprašytas „Techniniuose duomenyse“, atitinka taikomus reikalavimus, išdėstytus direktyvose

2011/65/ES (RoHS)

2006/42/EB

2014/30/ES

ir buvo taikyti šie darnieji standartai

EN 62841-1:2015

EN 62841-3-9:2015

EN 55014-1:2006+A1:2009+A2:2011

EN 55014-2:2015

EN 61326-1:2013

EN 50581:2012



Winnenden, 2016-08-19

Alexander Krug / Managing Director

Įgaliotas parengti techninius dokumentus.

Techtronic Industries GmbH

Max-Eyth-Straße 10, 71364 Winnenden, Germany

SIMBOLIAI



DĖMESIO! ĮSPĖJIMAS! PAVOJUS!



Prieš atlikdami bet kokius darbus įrenginyje, išimkite keičiamą akumuliatorių.



Prieš pradėdami dirbti su prietaisu, atidžiai perskaitykite jo naudojimo instrukciją.



Dirbdami su įrenginiu visada nešiokite apsauginius akinius.



Nešioti klausos apsaugines priemones!



Lietojiet aizsardzības cimdus!



Pavojinga zona! Rankas, pirštus ir plaštakas laikykite toliau nuo šios zonos.



Įrenginį saugoti nuo lietaus.



DĖMESIO! Nežiūrėti į įjungtą lempą.



Elektros prietaisų negalima išmesti kartu su buitinėmis atliekomis. Būtina rūšiuoti elektros ir elektroninius prietaisus ir atiduoti į atliekų perdirbimo centrą, kad jie būtų utilizuoti netešiant aplinkos. Informacijos apie perdirbimo centrus ir atliekų surinkimo įstaigas teiraukitės vietos įstaigoje arba prekybininko.



CE ženklas



„UkrSEPRO“ atitikties ženklas.



„EurAsian“ atitikties ženklas.



Lietuviškai

Tehnilised andmed Nurgasaag	M18 FMS254
Tootmisnumber	4569 52 01... ...000001 - 999999
Pöörlemiskiirus tühijooksul	4000 min ⁻¹
Vahetatava aku pinge	18 V
Saelehe ø x puuri ø	254 x 30 mm
Saelehe kere paksus max	2 mm
Saelehe hamba paksus min	2,8 mm
Lõike laius max	
Kaldenurk horisontaalne 0°/ Kalle 0°	91 x 289 mm
Kaldenurk horisontaalne 45°/ Kalle 0°	91 x 205 mm
Kaldenurk horisontaalne 0°/ Kalle 45°	51 x 289 mm
Kaldenurk horisontaalne 45°/ Kalle 45°	51 x 205 mm
Kaal vastavalt EPTA-protseduurile 01/2003 (Li-Ion 5,0 Ah)	20,0 kg
Müra andmed Mõõteväärtused on kindlaks tehtud vastavalt normile EN 62841. Seadme tüüpiline hinnanguline (müratase): Helirõhutase (Määramatus K=3dB(A)) Helivõimsuse tase (Määramatus K=3dB(A)) Kandke kaitseks kõrvaklappe!	90,5 db(A) 101,5 db (A)



Est

⚠ TÄHELEPANU Lugege kõik seadmega kaasas olevad ohutusjuhised, juhendid, juonised ja andmed läbi. Ohutusnõuete ja juhiste eiramise tagajärjeks võib olla elektrilöökk, tulekahju ja/või rasked vigastused.
Hoidke kõik ohutusnõuded ja juhised edasiseks kasutamiseks hoolikalt alles.

⚠ OHUTUSJUHISE PENDELSAAGIDELE

- a) Pendelsaad on mõeldud puidu või puidusarnaste toodete lõikamiseks, neid ei saa kasutada abrasiivsete lõikeketastega raudmaterjalide lõikamiseks, nagu talad, vardad, needid jne. Abrasiivne tolm põhjustab liikuvate osade, nagu alumise kaitse, ummistumist. Abrasiivse lõikamise põhjustatud sädemed kõrvetavad alumist kaitset, saelõike vahetükki ja teisi plastosi.
- b) Kasutage võimalusel alati töödetalli toetamiseks klambraid. Töödetalli käega toetades peate alati hoidma oma käe vähemalt 100 mm kaugusel saetera mõlemast küljest. Ärge kasutage seda saagi detailide lõikamiseks, mis on turvaliselt kinnitamiseks või käega hoidmiseks liiga väikesed. Kui teie käsi asub saeterale liiga lähedal, suureneb saeteraga kokku puutumise tõttu vigastuste saamise oht.
- c) Töödetail peab seisma paigal ning see peab olema kinnitatud klambriga või hoitud vastu nii võre kui lauda. Ärge söötkte töödetalli terale ega lõigake mingil viisil „vaba käega“. Kinnitamata või liikuvaid töödetalle võidakse suurel kiirusel eemale heita, põhjustades vigastusi.
- d) Lükake saagi läbi töödetalli. Ärge tõmmake saagi läbi töödetalli. Lõike tegemiseks tõstke saepea ja tõmmake see üle töödetalli välja ilma seda lõikamata, käivitage mootor, suruge saepea alla ja lükake saag läbi töödetalli. Lõikamine tõmbamise ajal võib tõenäoliselt põhjustada saetera töödetallile ronimise ja tera koostu tugevalt kasutaja suunas heitmise.
- e) Ärge kunagi viige oma kätt saetera ees ega taga üle soovitud lõikejoone. Töödetalli „kæed risti“ toetamine, st töödetalli hoidmine saetera paremal küljel oma vasaku käega või vastupidi, on väga ohtlik.

f) Ärge haarake saetera töötamise ajal puidujääkide eemaldamiseks või muudel põhjustel kummagi käega võre taha lähemale kui 100 mm saetera kummastki küljest. Saetera lähedus teie käele ei pruugi olla ilmne ja te võite saada tõsiseid vigastusi.

g) Vaadake oma töödetail enne lõikamist üle. Kui töödetail on paindunud või kõverdunud, kinnitage see väljapoole kaardus küljega võre poole. Veenduge alati, et töödetalli, võre ja laua vahel ei oleks lõikejoonel vahesid. Painutatud või kõverdunud töödetallid võivad pöörduda või liukuda ning põhjustada lõikamise ajal pöörleva saetera takerdumist. Töödetallis ei tohi olla naelu ega vööriki.

h) Ärge kasutage saagi enne seda, kui laud on puhas kõigist tööriistadest, puidujääkidest jne peale töödetalli. Pöörleva teraga kokku puutuvad väikesi jäätmeid või lahtisi puutükke või muid esemeid võidakse suure kiirusega eemale heita.

i) Lõigake korraka ainult ühte töödetalli. Üksteise peale asetatud mitut töödetalli ei saa piisavalt kindlalt kinnitada või toetada ning need võivad põhjustada tera kinni kiulumist või lõikamise ajal likuda.

j) Enne kasutamist veenduge, et pendelsaag oleks paigaldatud või asetatud tasasele ja kindlale tööpinnale. Tasane ja kindel tööpind vähendab pendelsae ebasabiilseks muutumise ohtu.

k) Plaanige oma töö ette. Kaldpinna või lõikenurga seadistuse muutmisel veenduge alati, et reguleeritav võre on seatud korralikult töödetalli toetama ega häiri tera ega kaitseüsteemi. Liigutage saetera ilma tööriista „SISSE“ lülitamata ja ilma laual oleva töödetallita läbi täieliku simuleeritud lõike, et veenduda takistuste või võre lõikamise ohu puudumises.

l) Pakkuge laua pinnast laiemale või pikemale töödetallile piisavat tuge, nagu lauapikendused, saepukid jne. Pendelsae lauast pikemad või laiemad töödetallid võivad kindla toe puudumisel kalduda. Lõigatud tüki või töödetalli kaldumisel võib see tõsta alumist kaitset või võidakse see pöörleva tera poolt eemale heita.

m) Ärge kasutage teist isikut laupikenduse asendaja või täiendava toena. Töödetaili ebastabiilne togi võib põhjustada saetera kinni kiilumise või töödetaili löikamise käigus liikumise, tõmmates teid ja abistajat pöörlevasse terrasse.

n) Lõigatud tükki ei tohi mingil viisil vastu pöörlevat saetera suruda või vajutada. Kui see on piiratud, nt pikisuunaliste tugede abil, võib lõigatud tükk kiiluda vastu tera ja see võidakse jõuliselt minema heita.

o) Kasutage ümarmaterjali nagu varaste või torude puhul alati nende korralikuks toetamiseks mõeldud klambrit või kinnitust. Varrastel on kalduvus löikamise ajal pöörduda, põhjustades tera „hammustamist“ ning töö koos teie käega terrasse tõmbamist.

p) Laska teral enne töödetaili puudutamist saavutada täiskiiirus. See vähendab töödetaili heitmise ohtu.

q) Kui töödetail või tera takerdub, lülitage pendelsaag välja. Oodake kõigi liikuvate osade peatumiseni ning eemaldage pistik vooluvõrgust ja/või eemaldage akupakk. Seejärel teostage takerdunud materjali vabastustööd. Takerdunud töödetailil saagimise jätkamine võib põhjustada kontrolli kaotamise või kahjustada pendelsaagi.

r) Pärast löike lõpetamist vabastage lüliti, hoidke saepeda all ja oodake enne lõigatud tüki eemaldamist tera peatumiseni. Käega vabalt pöörleva tera poole haaramine on ohtlik.

s) Ebatäieliku löike teostamisel või lüliti vabastamisel enne saepeda täielikult alumisse asendisse jõudmist hoidke kindlalt käepidemest. Sae pidurdamine võib põhjustada saepeda äkilist allapoole tõmbamist, põhjustades vigastusohu.

Edasised ohutus- ja tööjuhid

Kandke kaitseks kõrvaklappe. Müra toime võib põhjustada kuulmiskadud.

Masinaga töötades kandke alati kaitseprille. Soovitavad on kaitsekindad, tugevad ja libisemiskindlad jalanõud ning põll.

Töötamisel tekkiv tolm on sageli tervistkahjustav ning ei tohiks organismi sattuda. Kasutage tolmu äraimemist ning kandke täiendavalt sobivat tolmukaitsemaski. Kogunenud tolm eemaldage põhjalikult, nt imemisega.

Ühendage saagipuidu saagimisel tolmumeija külge.

Kanda kaitsekindaid!

Enne seadme esmakordset kasutamist on soovitatav kasutamist juhendit hoolikalt lugeda ning lasta endale praktilist käsitsemist tutvustada.

Kontrollida tuleb, et seade oleks alati stabiilses asendis (nt tööpingile kinnitatud).

Põrand tuleb hoida materjalijääkidest, nt saepurust ja jääkklotsidest puhas.

Kahjustatud või deformeerunud saekettaid ei tohi kasutada.

Saelehti, mis ei vasta käesoleva kasutamist juhendi karakteristikutele, ei tohi kasutada.

Kasutada tohib vaid tarkivikuid, mis vastavad standardile EN 847-1.

Mitte kasutada kiirloiketerasest valmistatud saelehti.

Lõigatava materjali jaoks valida välja sobiv saeleht.

Instrumendi lubatud pöörete arv peab olema vähemalt sama suur kui elektritööriistal märgitud maksimaalne pöörete arv. Tarkivikud, mis pöörlevad lubatust kiiremini, võivad murruda ja lendu paiskuda.

Seadet tuleb transportida ja hoida sobivas pakendis;

Kasutada saelehte kinnitamiseks ainult kaasasolevat ja kasutusjuhendis joonisel näidatud äärikut.

Kappsaaigi ei tohi kasutada kunagi muu, kui kasutusjuhendis kirjas oleva materjali löikamiseks.

Järkamis- ja miiusaagi tohib kasutada ainult siis, kui kaitsekate on töökorras ja hästi hooldatud. Kaitsekate peab automaatselt tagasi pöörduma.

Sel ajal, kui seade töötab ja saepeda ei ole puhkeasendis, ei tohi saagimisjääke ega materjalitükke saagimispiirkonnast eemaldada! Ärge pange kätt töötava masina ohupiirkonda.

Kasutage tingimata masina kaitseseadist.

Masina, kaitseseadiste või saelehtede vigadest tuleb kohe nende avastamisel teavitada ohutuse eest vastutavat isikut.

Pendelkaitsekate ei tohi avatud olekus kinnitada.

Pikad materjalid tuleb sobival viisil toestada.

Kappsaaigi transportida ainult käepideme juures fikseeritud transportimiskaitsega.

Kald- või liitkaldlõigete teostamisel reguleerige liugtöket, et tagada õige vahemaa teraga.

Vältige sobitatu etteandekiirusega saeketta hammaste ülekuumenemist ning plastmasside löikamisel materjali sulamist.

KASUTAMINE VASTAVALT OTSTARBELE

Järkamis- ja miiusaag on kasutatav massiivpuidu, liimpuidu, puidusarnaste materjalide ja plasti saagimiseks.

Ümara või ebakorrapärase ristlõikega detaile (nt küttepuid) ei tohi saagida, sest need ei püsi saagimisel kindlalt paigal. Kui õhukesi lamedaid detaile saetakse nii, et need on serva peal püsti, tuleb need ohutu töötamise tagamiseks toestada sobiva abitõkisega.

JÄÄKOHUD

Isegi toote nõuetekohase kasutamise korral pole võimalik jääkohte täielikult välistada. Kasutamisel võib esineda järgmisi riske, mistõttu peaks operaator järgnevat järgima:

- Kuulmekahjustuste vältimiseks tuleb ekspositsiooniaega piirata ja sobivat kuulmekaitset kanda.
- Operaator peaks rakendama meetmeid vibratsioonimõjude vähendamiseks ja ekspositsiooniaja piiramiseks.
- Terviseriskide vältimiseks, mis võivad esineda saetolmu sissehingamisel, tuleb kanda respiratorit.

AKUD

Pikemat aega mittekasutatud akusid laadige veel enne kasutamist.

Temperatuur üle 50 °C vähendab vahetatava aku töövõimet. Vältige pikemat soojenemist päikese või kütteseadme mõjul.

Hoidke laadija ja vahetatava aku ühenduskontaktid puhtad.

Optimaalse patarei eluea tagamiseks, pärast kasutamist lae patareiplokk täielikult.

Akud tuleks võimalikult pika kasutusea saavutamiseks pärast täislaadimist laadijast välja võtta.

Aku ladustamisel üle 30 päeva: Ladustage akut kuivas kohas u 27°C juures. Ladustage akut u 30-50% laetusseisundis. Laadige aku iga 6 kuu tagant täis.

LIITIUMIOONAKUDE TRANSPORTIMINE

Liitiumioonakud on allutatud ohtlike ainete transportimisega seonduvatele õigusaktidele.



Nende akude transportimine peab toimuma kohalikest, sise-riiklikest ja rahvusvahelistest eeskirjadest ning määrustest kinni pidades.

Tarbijad tohivad neid akusid edasiste piiranguteta tänaval transportida.

Liitiumioonakude komertstransport ekspedeerimisetevõtete kaudu on allutatud ohtlike ainete transportimisega seonduvatele õigusaktidele. Tarne-ettevalmistusi ja transporti tohivad teostada eranditult vastavalt koollitatud isikud. Kogu protsessi tuleb asjatundlikult jälgida.

Akude transportimisel tuleb järgida järgmisi punkte:

Tehke kindlaks, et kontaktid on lühiste vältimiseks kaitstud ja isoleeritud. Pöörake tähelepanu sellele, et akupakk ei saaks pakendis nihkuda. Kahjustatud või välja voolanud akusid ei tohi kasutada. Pöörduge edasiste juhiste saamiseks ekspedeerimisetevõtete poole.



AKU KOORMUSKAITSE

Aku ülekoormamisel kõrge voolutarbimisega, nt puuri blokeerumisel, lühise tekkimisel või ülikõrgetel pööretel, vibreerib elektriööriist 5 sekundit, laadimistuli vilgub ja tööriist lülitub automaatselt välja.

Uuesti sisse lülitamiseks tuleb päästik esmalt vabastada ning seejärel uuesti alla suruda.

Ülisuurel koormusel võib aku kuumeneda kõrgete temperatuurideni. Sellisel juhul vilguvad kõik laadimistulukesed kuni aku jahtumiseni. Peale laadimistulukeste kustumist võite tööd jätkata.

Aku tuleb laadimiseks ja taasaktiveerimiseks sisestada laadimiseadmesse.

HOOLDUS

Enne kõiki töid masina kallal võtke vahetatav aku välja.

Enne saeketta kinnitamist või eemaldamist veenduge, et sae toide on lahti ühendatud.

Kulunud lauakaitse tuleb asendada.

Puhastage seadet ja kaitseeadist kuiva lapiga.

Hoidke masina õhutuspilud alati puhtad.

Kasutage ainult Milwaukee tarkvikuid ja Milwaukee tagavaraosi. Detailid, mille väljavahetamist pole kirjeldatud, laske välja vahetada Milwaukee klienditeeninduspunktis (vaadake brošüüri garantii / klienditeeninduste aadressid).

Vajaduse korral võite tellida seadme läbilõikejoonise, näidates ära masina tüübi ja andmesildil oleva numbriga. Selleks pöörduge klienditeeninduspunkti või otse: Techtronic Industries GmbH, Max-Eyth-Straße 10, 71364 Winnenden, Germany.

EÜ VASTAVUSAVALDUS

Kinnitame oma ainuvastutust, et „Tehniliste andmete“ all kirjeldatud toode vastab direktiivide kõigile asjakohastele sätetele

2011/65/EU (RoHS)

2006/42/EÜ

2014/30/EU

ning täidetud on järgmiste ühtlustatud standardite nõuded.

EN 62841-1:2015

EN 62841-3-9:2015

EN 55014-1:2006+A1:2009+A2:2011

EN 55014-2:2015

EN 61326-1:2013

EN 50581:2012



Winnenden, 2016-08-19

Alexander Krug / Managing Director

On volitatud koostama tehnilist dokumentatsiooni.

Techtronic Industries GmbH

Max-Eyth-Straße 10, 71364 Winnenden, Germany

SÜMBOLID



ETTEVAATUST! TÄHELEPANU! OHUD!



Enne kõiki töid masina kallal võtke vahetatav aku välja.



Palun lugege enne käiklaskmist kasutamisujuhend hoolikalt läbi.



Masinaga töötades kandke alati kaitseprille.



Kandke kaitseks kõrvaklappe!



Kanda kaitsekindaid!



Ohtlik piirkond! Hoidke käed, sõrmed ja käsivarred sellest piirkonnast eemal.



Seadet ei tohi jätta vihma kätte.



TÄHELEPANU! Ära vaata töötavale lambile!



Elektriseadmeid ei tohi utiliseerida koos majapidamisprügiga. Elektrilised ja elektroonilised seadmed tuleb eraldi kokku koguda ning keskkonnasõbralikuks utiliseerimiseks vastavas käitlusettevõttes ära anda. Küsige kohalikest pädevatest ametitest või edasimüüjalt käitlusjaamade ja kogumispunktide kohta järele.



CE-märk



UkrSEPRO vastavusmärk.



Euraasia vastavusmärk.

Технические данные Торцовочная пила	M18 FMS254
Серийный номер изделия	4569 52 01... ...000001 - 999999
Число оборотов без нагрузки	4000 min ⁻¹
Вольтаж аккумулятора	18 V
Диаметр диска пилы x диаметр отверстия	254 x 30 mm
Толщина диска пилы макс.	2 mm
Толщина зубца пилы мин.	2,8 mm
Ширина штробы макс. Скос 0°/ Наклон 0° Скос 45°/ Наклон 0° Скос 0°/ Наклон 45° Скос 45°/ Наклон 45°	91 x 289 mm 91 x 205 mm 51 x 289 mm 51 x 205 mm
Вес согласно процедуре EPTA 01/2003 (Li-Ion 5,0 Ah)	20,0 kg
Информация по шумам Значения замерялись в соответствии со стандартом EN 62841. Уровень шума прибора, определенный по показателю A, обычно составляет: Уровень звукового давления (Небезопасность K=3dB(A)) Уровень звуковой мощности (Небезопасность K=3dB(A)) Пользуйтесь приспособлениями для защиты слуха.	
	90,5 db(A) 101,5 db (A)



РУС

⚠ ВНИМАНИЕ Ознакомьтесь с правилами техники безопасности, техническими регламентами, изображениями и данными, прилагаемыми к устройству.

Упущения, допущенные при не соблюдении указаний и инструкций по технике безопасности, могут стать причиной электрического поражения, пожара и тяжелых травм.

Сохраняйте эти инструкции и указания для будущего использования.

⚠ ИНСТРУКЦИЯ ПО БЕЗОПАСНОЙ ЭКСПЛУАТАЦИИ ТОРЦОВОЧНОЙ ПИЛЫ

- a) Торцовочные пилы предназначены для разрезания дерева или имитаций дерева и не должны использоваться с абразивными отрезными кругами для резки черного металла, например, стержневой арматуры, прутков, штырей и т.п.** Из-за абразивной пыли движущиеся части, такие как нижний защитный кожух, могут застревать. Искры, образующиеся во время абразивного отрезания, будут нагревать нижний защитный кожух, направляющую вставку и другие пластиковые детали.
- b) Для удержания заготовки на месте по возможности используйте зажимы.** Если вы придерживаете заготовку рукой, постоянно следите за тем, чтобы рука находилась не ближе 100 мм от края полотна пилы. Не используйте эту пилу для резки предметов, размер которых слишком мал для того, чтобы надежно закрепить их зажимами или удерживать рукой. Если ваша рука окажется слишком близко к лезвию пилы, то риск получения травмы от соприкосновения с лезвием будет выше.
- c) Заготовка должна быть закреплена неподвижно и удерживаться зажимами, либо держаться перпендикулярно направляющей и столу.** Не «втапливайте» заготовку в лезвие и не отходите от шаблона резки. Незакрепленные или движущиеся заготовки могут с высокой скоростью отскочить и вызвать травму.

d) С усилием проталкивайте пилу через заготовку, не тяните. Для выполнения разреза поднимите головку пилы и установите ее над заготовкой, ничего не разрезая. Затем включите двигатель, прижмите головку пилы книзу и с усилием проталкивайте ее через заготовку. Если вы будете тянуть, а не проталкивать пилу через заготовку, то лезвие пилы может задраться вверх заготовки, а режущий блок на большой скорости полетит в оператора.

e) Ни в коем случае не кладите руку на намеченную линию разреза — ни спереди, ни позади лезвия пилы. Очень опасно поддерживать заготовку руками «крест-накрест», т.е. держать заготовку справа от лезвия пилы левой рукой и наоборот.

f) Во время вращения лезвия не пытайтесь смахнуть опилки рукой или поместить руку в область за направляющей на расстоянии ближе, чем 100 мм от любого края лезвия пилы. Вы можете не заметить, как рука окажется вблизи лезвия пилы, и получить серьезную травму.

g) Перед тем как приступить к разрезанию, осмотрите заготовку. Если она искривлена или деформирована, прижмите ее внешней искривленной поверхностью к направляющей. Обязательно убедитесь в отсутствии зазора между заготовкой, направляющей и столом по линии разрезания. Согнутые или деформированные заготовки могут перевернуться или сместиться, вызвав зажим лезвия пилы во время вращения. В заготовке не должно быть гвоздей или посторонних объектов.

h) Не включайте пилу, не убрав со стола все инструменты, опилки и т.п. На столе не должно быть ничего, кроме заготовки. Мелкий мусор, куски древесины и другие предметы, попавшие на лезвие пилы во время ее вращения, могут отлететь с высокой скоростью.

и) Одновременно можно обрабатывать только одну заготовку. Несколько заготовок в одном штателе невозможно надлежащим образом зажать или закрепить; они могут затруднить работу лезвия или сместиться во время процесса резки.

ж) Перед началом работы убедитесь, что торцовочная пила установлена или размещена на ровной, прочной рабочей поверхности. Ровная и прочная рабочая поверхность снижает риск потери торцовочной пилой устойчивости.

к) Спланируйте ход своей работы. При каждой смене угла наклона или скоса проверяйте правильность расположения регулируемой направляющей: она должна поддерживать заготовку и не мешать лезвию и системе защитных кожухов в соответствии со стандартом. При выключенном инструменте и без заготовки на столе проверните лезвие по полному воображаемому кругу разреза, чтобы убедиться в отсутствии мешающих объектов и риска разреза направляющей.

л) Если заготовка шире или длиннее, чем верхняя поверхность стола, установите удлинители стола, пыльные козлы и т.п. Без надлежащей поддержки заготовки длиннее или шире стола торцовочной пилы могут опрокинуться. В случае опрокидывания отрезанного бруска или заготовки нижний защитный кожух может задраться или упасть на вращающееся лезвие.

м) Не используйте вместо удлинителя стола или дополнительной поверхности помощь другого человека. Недостаточная поддержка заготовки может привести к сгибанию лезвия или смещению заготовки во время резки, вследствие чего вы и помогающий вам человек можете упасть на вращающееся лезвие.

н) Не нужно каким бы то ни было образом прижимать или придавливать отрезаемый брусок к вращающемуся лезвию пилы. Брусок, прижимаемый, например, упорными линейками, может застрять в лезвии и внезапно отскочить.

о) Обязательно используйте зажим или крепеж, специально предназначенный для надлежащей поддержки материалов с круглым сечением, таких как прутки или трубы. Прутки могут перекатыться во время резки, что заставляет лезвие «захватывать» металл и затягивать его вместе с вашей рукой.

р) Перед соприкосновением с заготовкой дождитесь, когда лезвие наберет полную скорость. Это снизит риск разрыва заготовки.

q) Если заготовка застряла в лезвии, выключите торцовую пилу. Дождитесь, пока все вращающиеся детали остановятся, и выньте вилку из розетки и/или выньте аккумулятор. Затем высвободите застрявший материал. Если вы продолжите процесс разрезания с застрявшей заготовкой, то можете потерять контроль над работой пилы или повредить пилу.

г) Закончив разрез, выключите пилу, направьте головку пилы вниз и дождитесь останков лезвия, после чего удалите отрезанный брусок. Нахождение руки вблизи вращающегося по инерции лезвия является опасным.

с) Выполняя неполный разрез или выключая пилу до полного опускания ее головки, держите рукоятку крепко. Срабатывание тормозной системы пилы может вызвать внезапное опускание ее головки, что чревато травмой.

Дополнительные указания по безопасности и работе
Используйте наушники! Воздействие шума может привести к потере слуха.

При работе с инструментом всегда надевайте защитные очки. Рекомендуется надевать перчатки, прочные нескользящие ботинки и фартук.

Пыль, образующаяся при работе с данным инструментом, может быть вредна для здоровья и попасть на тело. Пользуйтесь системой пылеудаления и надевайте подходящую защитную маску. Тщательно убирайте скапливающуюся пыль (напр. пылесосом).

При пилении древесины используйте пилу в сочетании с пылесосом.

Надевать защитные перчатки!

Прежде чем пользоваться инструментом, пожалуйста, прочтите инструкцию. Если возможно попросите продемонстрировать как работать с инструментом.

Удостоверьтесь в том, что машина всегда имеет надежное положение (например, закреплена на верстаке).

Удаляйте с пола остатки материала, например, опилки и стружку.

Не используйте поврежденные или деформированные пыльные диски.

Не применяйте диски, несоответствующих параметрам, приведенным в настоящей инструкции по эксплуатации.

Используйте только тот инструмент, который соответствует требованиям EN 847-1.

Не применяйте какие-либо пыльные диски из быстрорежущей стали.

Выберите пригодное для разрезаемого материала пыльное полотно.

Допустимое число оборотов используемых принадлежностей должно быть как минимум таким же, как и максимальное число оборотов, указанное на электроинструменте. Комплектующие, которые вращаются быстрее допустимой скорости, могут сломаться и отлететь.

Инструменты должны перевозиться и храниться в подходящем контейнере.

Применяйте только фланец для крепления пыльного диска, изображенный в инструкции по эксплуатации.

Никогда не используйте торцовую пилу для резания иного материала, чем указанного в инструкции по эксплуатации.

Используйте торцевую пилу только с надежно функционирующим защитным кожухом, надлежащим образом подвергаемым работам по техобслуживанию. Защитный кожух должен автоматически возвращаться в прежнее положение.

Не удалять остатки стружки или иные части заготовок из области распиловки, если машина работает, а планшайба круглой пилы не находится в нейтральном положении.

Никогда не касайтесь опасной режущей зоны в момент работы. Всегда пользуйтесь защитной крышкой на инструменте.



В случае обнаружения дефектов в станке, включая защитное устройство или пыльные полотна, сообщите об этом немедленно ответственному лицу.

Не фиксируйте поворотное защитное ограждение.

Длинные заготовки соответственно подоприте.

Торцовую пилу транспортируйте только с фиксированным транспортным предохранителем на ручке.

При выполнении срезов под углом в сорок пять градусов, скосов кромки или сложных наклонных срезов отрегулируйте скользящий ограничитель, чтобы установить необходимый зазор до лезвия.

Посредством адаптации скорости подачи избегайте перегрева зубцов пыльного полотна, а при резке полимерных материалов – расплавления материалов.

ИСПОЛЬЗОВАНИЕ

Торцевые пилы используются для распиливания массивов дерева, проклеенной древесины, деревоподобных и синтетических материалов.

Распиловка заготовок с круглым или неправильным поперечным сечением (напр., дров) запрещена, так как при распиловке их нельзя надежно удерживать. При распиловке плоских заготовок по ребру для надежного направления следует использовать подходящий дополнительный упор.

ОСТАТОЧНЫЕ ОПАСНОСТИ

Даже при надлежащем использовании изделия невозможно полностью исключить остаточные опасности. При использовании могут возникать указанные ниже риски, поэтому пользователь должен соблюдать следующие пункты:

- Чтобы предотвратить повреждения органов слуха, необходимо ограничить время экспозиции и использовать подходящие средства защиты.
- Пользователь должен принять меры для сокращения воздействия вибрации и ограничения времени экспозиции.
- Для предотвращения риска для здоровья, который может возникнуть из-за вдыхания пыли, образующейся при распиловке, необходимо использовать респиратор.

АККУМУЛЯТОР

Перед использованием аккумулятора, которым не пользовались некоторое время, его необходимо зарядить.

Температура свыше 50°C снижает работоспособность аккумуляторов. Избегайте продолжительного нагрева или прямого солнечного света (риск перегрева).

Контакты зарядного устройства и аккумуляторов должны содержаться в чистоте.

Для обеспечения оптимального срока службы аккумулятор необходимо полностью заряжать после использования прибора.

Для достижения максимально возможного срока службы аккумуляторы после зарядки следует вынимать из зарядного устройства.

При хранении аккумулятора более 30 дней: Храните аккумулятор при 27°C в сухом месте. Храните аккумулятор с зарядом примерно 30% - 50%. Каждые 6 месяцев аккумулятор следует заряжать.

ТРАНСПОРТИРОВКА ЛИТИЙ-ИОННЫХ АККУМУЛЯТОРОВ

Литий-ионные аккумуляторы в соответствии с предписаниями закона транспортируются как опасные грузы.

Транспортировка этих аккумуляторов должна осуществляться с соблюдением местных, национальных и международных предписаний и положений.

Эти аккумуляторы могут перевозиться по улице потребителем без дальнейших обязательств.

При коммерческой транспортировке литий-ионных аккумуляторов экспедиторскими компаниями действующего положения, касающиеся транспортировки опасных грузов. Подготовка к отправке и транспортировка должны производиться исключительно специально обученными лицами. Весь процесс должен находиться под контролем специалиста.

При транспортировке аккумуляторов необходимо соблюдать следующие пункты:

Убедитесь, что контакты защищены и изолированы во избежание короткого замыкания. Следите за тем, чтобы аккумуляторный блок не соскользнул внутри упаковки. Транспортировка поврежденных или протекающих аккумуляторов запрещена. За дополнительными указаниями обратитесь к своему экспедитору.

ЗАЩИТА АККУМУЛЯТОРА ОТ ПЕРЕГРУЗКИ

В случае перегрузки аккумулятора по причине слишком большого потребления электроэнергии, при экстремально большом крутящем моменте, внезапной остановке или коротком замыкании, электроприбор вибрирует в течение 5 секунд, загорается индикатор заряда аккумулятора и электроприбор автоматически выключается. ть работу. Для повторного включения следует отжать кнопку включения и потом снова включить.

При слишком высоких нагрузках аккумулятор перегревается. В этом случае загораются все лампы индикатора заряда аккумулятора. Когда аккумулятор остынет и лампы погаснут – можно продолжать

Чтобы снова зарядить и активировать аккумулятор, подключите его к зарядному устройству.

ОБСЛУЖИВАНИЕ

Выньте аккумулятор из машины перед проведением с ней каких-либо манипуляций.

Отключите инструмент от питающей сети перед установкой или снятием режущего полотна.

Заменяйте изношенные прокладки, укладываемые на стол.

Очищать прибор и защитное устройство с помощью сухой салфетки.

Всегда держите охлаждающие отверстия чистыми.

Пользуйтесь аксессуарами и запасными частями Milwaukee. В случае возникновения необходимости в замене, которая не была описана, обращайтесь в один из сервисных центров по обслуживанию электроинструментов Milwaukee (см. список сервисных организаций).

При необходимости может быть заказан чертеж инструмента с трехмерным изображением деталей. Пожалуйста, укажите номер и тип инструмента и закажите чертеж у Ваших местных агентов или непосредственно у Techtronic Industries GmbH, Max-Eyth-Straße 10, 71364 Winnenden, Germany.



РУС

ДЕКЛАРАЦИЯ О СООТВЕТСТВИИ СТАНДАРТАМ ЕС

Мы несем исключительную ответственность за то, что изделие, описанное в разделе «Техническая информация» соответствует всем применимым положениям директив

2011/65/EU (RoHS)

2006/42/EC

2014/30/EU

а также следующим согласованным стандартам

EN 62841-1:2015

EN 62841-3-9:2015

EN 55014-1:2006+A1:2009+A2:2011

EN 55014-2:2015

EN 61326-1:2013

EN 50581:2012



Winnenden, 2016-08-19

Alexander Krug / Managing Director

Уполномочен на составление технической документации.

Techtronic Industries GmbH

Max-Eyth-Straße 10, 71364 Winnenden, Germany

СИМВОЛЫ



ВНИМАНИЕ! ПРЕДУПРЕЖДЕНИЕ! ОПАСНОСТЬ!



Выньте аккумулятор из машины перед проведением с ней каких-либо манипуляций.



Пожалуйста, внимательно прочтите инструкцию по использованию перед началом любых операций с инструментом.



При работе с инструментом всегда надевайте защитные очки.



Пользуйтесь приспособлениями для защиты слуха.



Надевать защитные перчатки!



Опасный участок! По возможности, держите Ваши руки и пальцы подальше от этого участка.



Не подвергайте машину воздействию дождя.



ВНИМАНИЕ! Не смотрите на рабочую лампу.



Электрические устройства нельзя утилизировать вместе с бытовым мусором. Электрические и электронные устройства следует собирать отдельно и сдавать в специализированную утилизирующую компанию для утилизации в соответствии с нормами охраны окружающей среды. Сведения о центрах вторичной переработки и пунктах сбора можно получить в местных органах власти или у вашего специализированного дилера.



Знак CE



Знак UkrSEPRO Соответствия



Знак Евразийского Соответствия

Транспортировка:

Категорически не допускается падение и любые механические воздействия на упаковку при транспортировке. При разгрузке/погрузке не допускается использование любого вида техники, работающей по принципу зажима упаковки.

Хранение:

Необходимо хранить в сухом месте. Необходимо хранить вдали от источников повышенных температур и воздействия солнечных лучей. При хранении необходимо избегать резкого перепада температур. Хранение без упаковок не допускается.

Срок службы изделия:

Срок службы изделия составляет 5 лет. Не рекомендуется к эксплуатации по истечении 5 лет хранения с даты изготовления без предварительной проверки.

Дата изготовления (код даты)

отштампован на поверхности корпуса изделия.

Пример:

A2015, где 2015 - год изготовления

A - месяц изготовления

Определить месяц изготовления можно согласно приведенной ниже таблице.

A - Январь	G - Июль
B - Февраль	H - Август
C - Март	J - Сентябрь
D - Апрель	K - Октябрь
E - Май	L - Ноябрь
F - Июнь	M - Декабрь

Тектроник Индастриз ГмБХ
Германия, 71364, Винненден,
ул. Макс-Ай-Штрассе, 10
Сделано в КНР

Технически данни Циркуляр с циркулярни диска режещи под ъгъл „Mitresaw“	M18 FMS254
Производствен номер	4569 52 01... ...000001 - 999999
Обороти на празен ход	4000 min ⁻¹
Напрежение на акумулатора	18 V
Ø на режещия диск x Ø на отвора	254 x 30 mm
Дебелина на тялото на циркулярния диск макс.	2 mm
Дебелина на зъбците на циркулярния диск мин.	2,8 mm
Ширина на рязане макс.	
Наклон хоризонтално 0° / Наклон 0°	91 x 289 mm
Наклон хоризонтално 45° / Наклон 0°	91 x 205 mm
Наклон хоризонтално 0° / Наклон 45°	51 x 289 mm
Наклон хоризонтално 45° / Наклон 45°	51 x 205 mm
Тегло съгласно процедурата EPTA 01/2003 (Li-Ion 5,0 Ah)	20,0 kg
Информация за шума Измерените стойности са получени съобразно EN 62841. Оцененото с А ниво на шума на уреда е съответно: Равнище на звуковото налягане (Несигурност K=3dB(A)) Равнище на мощността на звука (Несигурност K=3dB(A))	90,5 dB(A) 101,5 dB(A)
Да се носи предпазно средство за слуха!	



БЪЛ

⚠ ВНИМАНИЕ Прочетете всички указания за безопасност, инструкции, изображения и техническите данни, които получавате с уреда. Пропуски при спазването на указанията и на инструкциите за безопасност могат да доведат до токов удар, пожар и/или тежки наранявания. **Запазете всички указания и инструкции за безопасност за бъдещето.**

⚠ ИНСТРУКЦИИ ЗА БЕЗОПАСНОСТ НА ЦИРКУЛЯРНИ ТРИОНИ

а) Циркулярните триони са предназначени за рязане на дърво или дървоподобни продукти; те не могат да бъдат използвани с абразивни дискове за рязане на цветни метали, като например щанги, профили, шипове и т.н. Абразивният прах причинява блокиране на подвижни части като долния предпазител. Искрите от абразивно рязане ще изгорят долния предпазител, разрезната вложка и други пластмасови части.

б) Използвайте клеми за закрепване на работната заготовка, когато е възможно. Ако я крепите на ръка, Вие винаги трябва да държите ръката си най-малко на 100 мм от двете страни на режещия диск. Не използвайте този трион за рязане на парчета, които са твърде малки, за да бъдат сигурно заклемени или крепени на ръка. Ако ръката Ви е твърде близо до режещия диск, съществува повишен риск от нараняване при контакт с острието.

в) Обработваната заготовка трябва да бъде неподвижна и затегната или държана едновременно срещу предпазителя и работната маса. Не я подавайте към острието и не режете „на свободна ръка“ по никакъв начин. Нефиксираны или подвижни заготовки могат да бъдат изхвърлени при високи скорости, причинявайки наранявания.

д) Натиснете триона през заготовката. Не дърпайте триона през нея. За да направите разрез, повдигнете главата на триона и го издърпайте върху заготовката, без да режете, стартирайте мотора, натиснете главата на триона надолу и го натиснете през заготовката.

Рязането с дърпане е вероятно да предизвика покачането на режещия диск върху работната заготовка и да изхвърли силно режещата конструкция към оператора.

е) Никога не прекарвайте ръката си над подготвената линия на рязане пред или зад режещия диск. Държането на работната заготовка „сър скръстени ръце“, т.е. държането на детайла вдясно от режещия диск с лявата ръка, или обратно, е много опасно.

ф) Не пипайте зад предпазителя с която и да е ръка по-близо от 100 мм от двете страни на режещия диск, за да отстраните дървени отпадъци, или по някаква друга причина, докато острието се върти. Близостта на въртящата се режещ диск до ръката Ви може да не е очевидна и Вие може да бъдете сериозно наранени.

г) Проверете Вашата работна заготовка преди рязане. Ако тя е наклонена или деформирана, стегнете я с наклонено навън лице спрямо предпазителя. Винаги проверявайте дали няма пространство между заготовката, предпазителя и масата по линията на среза. Огънати или деформирани заготовки могат да се извият или преместят и могат да причинят закачане за въртящото се острие по време на рязане. Не трябва да има пирони или чужди обекти в работната заготовка.

h) Не използвайте циркулярния трион докато работната маса не е почистена от всички инструменти, дървени отпадъци и пр., с изключение на работната заготовка. Малки отломки или хлабави парчета дърво, или други предмети, които са в контакт с режещия диск, могат да бъдат подхвърлени с висока скорост.

и) Режете само една работна заготовка наведъж. Натрупани множество работни заготовки не могат да бъдат адекватно стегнати или закрепени и могат да се закачат за острието или преместят по време на рязане.

ж) Уверете се, че циркулярният трион е монтиран или поставен върху равна, твърда работна повърхност преди употреба. Равната и твърда работна повърхност намалява риска циркулярният трион да стане нестабилен.

к) Планирайте работата си. Всеки път, когато промените наклона или настройката на ъгъла на скосяване от 45°, се уверете, че регулируемият предпазител е настроен правилно да крепи заготовката и няма да попречи на стандартите с острието или системата за предпазване. Без да включвате уреда и без заготовка на масата, придвижете циркулярния трион, симулирайки пълн дължинен разрез, за да се уверите, че няма да има смущения или опасност от срязване на предпазителя.

л) Осигурете адекватна подкрепа като разширения за работната маса, поддържаща конструкция за триона и пр., за заготовка, която е по-широка или по-дълга от плота на масата. Заготовки по-дълги или по-широки от масата на циркулярния трион може да се обърнат, ако не са сигурно закрепени. Ако отрязаното парче или заготовката се обърнат, те могат да повдигнат долния предпазител или да бъдат изхвърлени от въртящото се острие.

м) Не ползвайте друго лице като заместител на разширение за маса или като допълнителна подкрепа. Нестабилната подкрепа за заготовката може да причини блокиране на острието или разместване на заготовката по време на рязането, издърпвайки Вас или Вашия помощник към острието.

н) Отрязаното парче не бива по никакъв начин да се напъва или притиска срещу въртящото се острие на циркуляра. Ако е блокирано, напр. посредством ограничителни, парчето за рязане може да се заклещи срещу острието и да бъде изхвърлено със сила.

о) Винаги използвайте клема или приспособление за заготовка, пригодено да поддържа правилно кръгли материали като шанги или тръби. Шангите имат тенденция да се въртят при рязане, предизвиквайки „захапване“ на острието, и да издърпват обработваната заготовка заедно с ръката Ви към острието.

р) Оставете режещият диск да достигне пълната си скорост преди контакта с работната заготовка. Това ще намали риска от подхвърляне на работната заготовка.

q) Ако заготовката или острието се блокират, изключете циркулярния трион. Изчакайте всички движещи се части да спрат и изключете щепсела от захранването и/или отстранете батерията. След това освободете блокирания материал. Продължаване на рязането с блокирана заготовка може да предизвика загуба на контрол или да повреди циркуляра.

г) След като завършите рязането, освободете бутона, дръжте циркуляра с главата надолу и изчакайте острието да спре, преди да извадите отрязаното парче. Пипането с ръка, докато дискът се върти по инерция, е опасно.

с) Дръжте здраво дръжката, докато правите непълен разрез или когато освобождавате бутона, преди главата на циркуляра излязло да е обърната надолу. Спирачното действие на циркуляра може да доведе до внезапно издърпване на главата надолу, което да предизвика риск от нараняване.

Допълнителни указания за работа и безопасност

Носете средство за защита на слуха. Шумът може да доведе до загуба на слуха.

При работа с машината винаги носете предпазни очила. Препоръчват се също така предпазни ръкавици, здрави и нехлъзгащи се обувки, както и престилка.

При работа на открито или когато в машината могат да попаднат влага или прах, се препоръчва уредът да се свързва чрез защитен прекъсвач за утечен ток с максимално 30 mA ток на задействане.

При рязане на дърво свържете прахоуловител към триона. Да се носят предпазни ръкавици!

Препоръка: преди първото използване на уреда внимателно прочетете упътването за експлоатация и помолете да Ви инструктират как на практика се работи с уреда.

Уверете се, че машината винаги е стабилно разположена (например е закрепена за тегзях).

Почиствайте пода от остатъци от материал - например стърготини и остатъци от рязането.

Не използвайте листове на трион, които са повредени или деформирани.

Режещи дискове, които не отговарят на параметрите в настоящото упътване за експлоатация, не бива да се използват.

Използвайте само инструменти, които отговарят на EN 847-1.

Да не се използват режещи дискове, изработени от бързорежеща стомана.

Изберете режещ диск, подходящ за материала, който ще се реже.

Допустимата честота на въртене на използващия се инструмент трябва да бъде поне толкова висока, колкото и посочената на уреда честота на въртене. Аксесоарите, които се въртят по-бързо от допустимото, могат да се спунат и да се разхвърчат.

Инструментите трябва да бъдат транспортирани и съхранявани в подходяща кутия;

За закрепване на режещия диск да се използват само фланците, които са приложени и показани в упътването за експлоатация.

Отрязната машина за заглаждане на чела да не се използва за рязане на материали, различни от тези, посочени в упътването за експлоатация.

Използвайте триона за дърво само със сигурно функциониращ и добре поддържан предпазен капак. Предпазният капак автоматично трябва да се връща в изходно положение.

Не отстранявайте остатъци от рязането или други части от материали, ако машината работи и режещата глава не се намира в състояние на покой.

Не бъркайте в зоната на опасност на работещата машина.

Предпазните устройства на машината да се използват задължително.



БЪЛ

За дефекти на машината, включително на предпазителя или на режещите дискове, трябва да се съобщава на лицето, отговорно за безопасността, веднага след като бъдат открити.

Подвижният предпазител да не се затяга в отворено състояние. Дългите детайли да се подпират по подходящ начин.

Отрязната машина за заглаждане на чела да се транспортира само с фиксиран транспортен предпазител на ръкохватката.

При извършване на ъглово, конусно или комбинирано рязане, регулирайте плъзгащия се предпазител, за да сте сигурни, че режещият диск е на правилното отстояние.

Посредством подходяща скорост на подаване избягвайте прегряването на зъбците на циркуляра и разтапянето на материали при рязане на пластмасата.

ИЗПОЛЗВАНЕ ПО ПРЕДНАЗНАЧЕНИЕ

Трионът е подходящ за използване при рязане на масивен дървен материал, фурнир, подобни на дървен материал материали и пластмасата.

Материали с кръгъл или неравномерен разрез (например дърва за огрев) не трябва да бъдат рязани, тъй като при рязане не разполагат със стабилна опора. При вертикално рязане на плосък дървен материал следва да се използва подходящ помощен ограничител за сигурно направляване.

ОСТАТЪЧНИ РИСКОВЕ

Дори и при правилна употреба на продукта не всички остатъчни рискове могат да бъдат напълно избегнати. Следните рискове могат да възникнат при употребата, поради което работещият с уреда трябва да спазва следното:

- За да се избегнат увреждания на слуха, да се ограничи максимално времето на работа с уреда и да се носи подходяща защита на ушите.
- Препоръчва се работещият с уреда да предприеме мерки за намаляване на ефектите от вибрацията и да ограничи времето на работа с уреда.
- Да се носи защитна маска, за да се избегнат рисковете за здравето, които могат да възникнат от вдишването на стърготини.

АКУМУЛАТОРИ

Акумулатори, които не са ползвани по-дълго време, преди употреба да се дозаредят.

Температура над 50°C намалява мощността на акумулатора. Да се избягва по-продължително нагряване на слънце или от отопление.

Поддържайте чисти присъединителните контакти на зарядното устройство и на акумулатора.

За оптимална продължителност на живот след употреба батериите трябва да се заредят напълно.

За възможно по-дълга продължителност на живот батериите трябва да се изваждат от уреда след зареждане.

При съхранение на батериите за повече от 30 дни:

съхранявайте батериите при прибл. 27°C и на сухо място.

Съхранявайте батериите при 30 до 50 % от заряда. Зареждайте батериите на всеки 6 месеца.

ПРЕВОЗ НА ЛИТИЕВО-ЙОННИ БАТЕРИИ

Литиево-йонните батерии са предмет на законовите разпоредби за превоз на опасни товари.

Превозът на тези батерии трябва да се извършва в съответствие с местните, националните и международните разпоредби и регламенти.

Потребителите могат да превозват тези батерии по пътя без допълнителни изисквания.

Превозът на литиево-йонни батерии от транспортни компании е предмет на законовите разпоредби за превоз на опасни товари. Подготовката на превоза и самият превоз трябва да се извършват само от обучени лица. Целият процес трябва да е под професионален надзор.

Спазвайте следните изисквания при превоз на батерии:

Уверете се, че контактите са защитени и изолирани, за да се избегне късо съединение. Уверете се, че няма опасност от разместване на батерията в опаковката. Не превозвайте повредени батерии или такива с течове. Обърнете се към Вашата транспортна компания за допълнителни инструкции.

ЗАЩИТА ОТ ПРЕТОВАРВАНЕ НА БАТЕРИЯТА

При претоварване на батерията вследствие на голямо потребление на енергия, например изключително високи въртящи моменти, внезапно спиране или късо съединение, електрическият инструмент вибрира в продължение на 5 секунди, мига индикаторът за зареждане и електрическият инструмент се изключва сам.

За да го включите повторно, освободете превключвателя и след това включете уреда.

При екстремни натоварвания батерията се нагрява значително. В този случай всички светлини на индикатора за зареждане мигат дотогава, докато батерията се охлади. След изгасване на индикатора за зареждане можете да продължите работата с уреда.

Тогава акумулаторът да се включи към зарядното устройство, за да се дозареди и активира.

ПОДДРЪЖКА

Преди започване на каквито е да работи по машината извадете акумулатора.

Уверете се, че инструментът е с прекъснатото електрическо захранване, преди да поставяте или сваляте режещия диск.

Сменете износената подложка за маса.

Почиствайте уреда и предпазното съоръжение със суха кърпа. Вентилационните шлицы на машината да се поддържат винаги чисти.

Да се използват само аксесоари на Milwaukee и резервни части на Milwaukee. Елементи, чията подмяна не е описана, да се дадат за подмяна в сервис на Milwaukee (вижте брошурата „Гаранция и адреси на сервиси“).

При необходимост можете да поискате за уреда от Вашия сервис или директно от Techtron Industries GmbH, Max-Eyth-Straße 10, 71364 Winnenden, Germany, чертеж за в случай на експлозия, като посочите типа на машината и номер върху заводската табелка.



БЪЛ

CE - ДЕКЛАРАЦИЯ ЗА СЪОТВЕТСТВИЕ

Ние декларираме, изцяло на наша отговорност, че продуктът, описан в „Технически данни“, съответства на всички необходими изисквания на директивите

2011/65/EC (RoHS)

2006/42/EO

2014/30/EC

и че са използвани следните хармонизирани стандарти

EN 62841-1:2015

EN 62841-3-9:2015

EN 55014-1:2006+A1:2009+A2:2011

EN 55014-2:2015

EN 61326-1:2013

EN 50581:2012



Winnenden, 2016-08-19

Alexander Krug / Managing Director

Упълномощен за съставяне на техническата документация

Techtronic Industries GmbH

Max-Eyth-Straße 10, 71364 Winnenden, Germany

СИМВОЛИ



ВНИМАНИЕ! ПРЕДУПРЕЖДЕНИЕ! ОПАСНОСТ



Преди започване на каквито е да е работи по машината извадете акумулатора.



Преди пускане на уреда в действие моля прочетете внимателно инструкцията за използване.



При работа с машината винаги носете предпазни очила.



Да се носи предпазно средство за слуха!



Да се носят предпазни ръкавици!



Опасна зона! По възможност дръжте ръцете и пръстите си на разстояние от тази зона.



Не излагайте машината на дъжд.



ВНИМАНИЕ! Не гледайте срещу включената лампа.



Електрическите уреди не трябва да се изхвърлят заедно с битовите отпадъци. Електрическото и електронното оборудване трябва да се събират отделно и да се предават на службите за рециклиране на отпадъците според изискванията за опазване на околната среда. Информирайте се при местните служби или при местните специализирани търговци относно местата за събиране и центровете за рециклиране на отпадъци.



CE-знак



UKrSEPRO знак за съответствие.



EurAsian знак за съответствие.



Date tehnice	M18 FMS254
Ferăstrău de tăiat corniere / Ferăstrău pentru tăiere oblică	
Număr producție	4569 52 01... ...000001 - 999999
Viteza de mers în gol	4000 min ⁻¹
Tensiune acumulator	18 V
Diametru lamă x diametru orificiu	254 x 30 mm
Grosimea pânzei ferăstrăului max.	2 mm
Grosimea dinților de la pânza ferăstrăului min.	2,8 mm
Lațime de tăiere max.	
Unghi 0° / Înclinație 0°	91 x 289 mm
Unghi 45° / Înclinație 0°	91 x 205 mm
Unghi 0° / Înclinație 45°	51 x 289 mm
Unghi 45° / Înclinație 45°	51 x 205 mm
Greutatea conform „EPTA procedure 01/2003” (Li-Ion 5,0 Ah)	20,0 kg
Informație privind zgomotul	
Valori măsurate determinate conform EN 62841. Nivelul de zgomot evaluat cu A al aparatului este tipic de:	
Nivelul presiunii sonore (Nesiguranță K=3dB(A))	90,5 db(A)
Nivelul sunetului (Nesiguranță K=3dB(A))	101,5 db (A)
Purtați căști de protecție	



Ro

⚠️ AVERTISMENT Citiți toate instrucțiunile de securitate, recomandările, reprezentările grafice și datele pe care le primiți livrate împreună cu aparatul. Nerespectarea indicațiilor de avertizare și a instrucțiunilor poate provoca electrocutare, incendii și/sau răni grave.

Păstrați toate indicațiile de avertizare și instrucțiunile în vederea utilizărilor viitoare.

⚠️ INSTRUCȚIUNI DE SIGURANȚĂ PENTRU FERĂSTRĂILE CIRCULARE STAȚIONARE

- a) Ferăstraiele circulare staționare sunt destinate tăierii în lemn sau produse din lemn. Acestea nu pot fi folosite cu discuri de tăiere abrazive pentru tăierea materialelor feroase, cum ar fi bare, tije, știfturi, etc.** Praful abraziv provoacă blocarea pieselor în mișcare, cum ar fi apărătoarea inferioară. Scânteile generate de tăierea cu disc abraziv vor arde apărătoarea inferioară, inserția kerf sau alte părți ale produsului, realizate din material plastic.
- b) Utilizați cleme pentru a sprijini piesa de lucru ori de câte ori este posibil. În cazul în care susținerea piesei de lucru se face manual, trebuie să vă păstrați întotdeauna mâna la cel puțin 100 de mm de fiecare latură a lamei de ferăstrău. Nu utilizați acest ferăstrău pentru a tăia bucăți care sunt prea mici pentru a fi prinse sau ținute de mână în condiții de siguranță. În cazul în care mâna este amplasată prea aproape de lama de ferăstrău, există un risc crescut de rănire prin contactul cu lama.**
- c) Piesa de lucru trebuie să fie staționară și fixată sau ținută bine față de apărătoare sau de masa de lucru. Nu alimentați piesa de lucru înspire lama de tăiat și nu tăiați în nici un caz „cu mâna liberă”. Pieselor de lucru nefixate sau în aflate mișcare pot fi aruncate la viteze mari, cauzând prejudicii.**
- d) Împingeți lama de ferăstrău prin piesa de lucru. Nu trageți prin piesa de lucru. Pentru a face o tăietură, ridicați capul de ferăstrău și trageți-l peste piesa de lucru, fără tăiere, porniți motorul, apăsați capul în jos și împingeți lama ferăstrăului prin piesa de lucru. Tăierea prin tragere este de natură să provoace urcarea lamei de ferăstrău pe partea de sus**

a piesei de lucru și aruncarea violentă a ansamblului de lame spre operator.

e) Nu treceți niciodată cu mâna peste linia de tăiere preconizată, fie în fața sau în spatele lamei de ferăstrău. Sprijinirea piesei de prelucrat cu mâna „în cruce”, adică prinderea piesei de lucru de la dreapta lamei de ferăstrău cu mâna stângă, sau invers, este foarte periculoasă.

f) Nu încercați să ajungeți în spatele apărătoarei, cu oricare din mâini, la mai puțin de 100 mm de fiecare laterală a lamei de ferăstrău, cu scopul, de exemplu, de a îndepărta resturile de lemn, sau pentru orice alt scop, în timp ce lama se rotește. Apropierea mâinii de lama de ferăstrău aflată în mișcare poate să nu fie evidentă și aceasta poate avea ca urmare o rănire gravă.

g) Controlați piesa de lucru înainte de tăiere. În cazul în care piesa de lucru este înclinată sau deformată, prindeți-o cu fața exterioară înclinată spre apărătoare. Asigurați-vă întotdeauna că nu există niciun joc liber și nici o diferență de spațiu între piesa de lucru, apărătoare și masa de lucru, de-a lungul liniei de tăiere. Piesele indoite sau deformate se pot răsuși sau răsturna și aceasta poate cauza îndoirea sau rotirea lamei de ferăstrău în timpul tăierii. Nu trebuie să existe cuie sau obiecte străine în piesa de lucru.

h) Nu folosiți ferăstrău până când masa nu este eliberată de toate instrumentele, resturile de lemn, etc., cu excepția piesei de lucru. Bucățile mici de moloz sau părți libere din bucățile de lemn sau alte obiecte care intră în contact cu lama rotativă pot fi aruncate cu viteză mare.

i) Tăiați doar o singură piesă de lucru la un moment dat. Piesele de lucru multiple stivuite nu pot fi prinse adecvat sau fixate adecvat cu legături. Ele pot îndoii lama sau cauza deplasarea sa în timpul tăierii.

j) Asigurați-vă că ferăstrăul circular staționar este montat sau plasat pe o suprafață de lucru plană și fermă înainte de utilizare. O suprafață de lucru plană și fermă reduce riscul ca ferăstrăul circular staționar să devină instabil.

k) Planificați-vă bine munca. De fiecare dată când schimbați a unghiului de tăiere conic sau oblic, asigurați-vă că apărătoarea reglabila este setată corect pentru a sprijini piesa de lucru și nu va interfera cu lama sau sistemul de protecție. Fără a porni unealta apăsând pe „ON” și fără a introduce vreo piesă de lucru pe masa de lucru, deplasați lama de ferăstrău printr-o tăietură simulat complet pentru a vă asigura că nu va exista nici o interferență și niciun pericol de tăierea a apărătoarei.

l) Asigurați-vă că oferiți un sprijin adecvat: cum ar fi extensii de masă, extensii de ferăstrău etc. atunci când lucrați cu o piesă de lucru care este de dimensiuni mai mari în lățime sau lungime decât blatul mesei. Piese de lucru mai lungi sau mai late decât masa lucru a ferăstrăului circular pot inclina masa, în cazul în care nu sunt prinse în condiții de siguranță. În cazul în care piesa tăiată sau piesa de lucru se răstoarnă, apărătoarea inferioară se poate ridica sau poate să fie aruncată de lama aflată în mișcare.

m) Nu folosiți o altă persoană ca substitut pentru o extensie de masă sau de suport suplimentar. Un sprijin instabil pentru piesa de lucru poate provoca îndoirea lamei sau deplasarea sa neadecvată în timpul tăierii, trăgându-vă pe dvs. și pe persoana care vă asistă înspre lama aflată în mișcare.

n) Piesa tăiată nu trebuie, sub nicio formă, să fie prinsă în sau apăsată pe lama de ferăstrău aflată în mișcare. Dacă sunteți limitat, adică folosiți opritori de lungime, piesa de tăiat ar putea să opună rezistență împotriva lamei și să o arunce violent.

o) Folosiți întotdeauna o clemă sau un dispozitiv conceput pentru a prinde în mod adecvat un material rotund: cum ar fi tije sau tuburi. Tijele au tendința să se rostogolească în timp ce se taie, făcând ca lama să „muște” și să vă tragă mâna și piesa de lucru înspre lama.

p) Lăsați lama să ajungă la viteza maximă înainte de a face contact cu piesa de lucru. Acest lucru va reduce riscul de aruncare a piesei de lucru.

q) În cazul în care piesa de lucru sau lama se blochează, deconectați ferăstrăul circular. Așteptați ca toate piesele mobile să se oprească și deconectați ștecărul de la sursa de alimentare și/sau scoateți acumulatorul. Apoi eliberați materialul blocat. Dacă continuați tăierea cu o piesă de lucru blocată aceasta ar putea cauza pierderea controlului sau deteriorarea ferăstrăului de tăiere.

r) După terminarea tăierii, eliberați comutatorul, țineți capul fierăstrăului în jos și așteptați ca lama ferăstrăului să se oprească înainte de a scoate bucata de lemn tăiată. Este periculos să ajungeți cu mâna în apropierea lamei.

s) Țineți mânerul ferm atunci când efectuați o tăiere incompletă sau la eliberarea comutatorului înainte de poziționarea capului de ferăstrău complet în jos. Acțiunea de frânare a ferăstrăului poate determina tragerea bruscă a capului de ferăstrău în jos, cauzând un risc de accidentare.

Instrucțiuni suplimentare de siguranță și de lucru

Purtați aparatoare de urechi. Expunerea la zgomot poate duce la pierderea auzului.

Purtați întotdeauna ochelari de protecție atunci când utilizați mașina. Se recomandă purtarea mănușilor, a încălțămintei solide nealunecoase și sortului de protecție.

Praful care apare când se lucrează cu această sculă poate fi dăunător sănătății și prin urmare nu trebuie să atingă corpul. Utilizați un sistem de absorbție a prafului și purtați o mască de protecție împotriva prafului. Îndepărtați cu grijă praful depozitat, de ex. cu un aspirator.

Conectați ferăstrăul la un aspirator de praf atunci când tăiați lemn.

Purtați mănuși de protecție!

Înainte de utilizarea sculei, vă rugăm citiți instrucțiunile. Se prezintă scula, dacă este posibil.

Aveți în vedere ca mașina să aibe mereu o poziție sigură (de ex. fixați-o la bancul de montaj).

Păstrați podeaua liberă de resturi de material, de ex. așchii și resturi de la tăitul lemnului.

Nu folosiți pânze de circular deteriorate ori deformate.

Nu utilizați lamele care nu corespund datelor oferite în prezentele Instrucțiuni de utilizare.

Pot fi utilizate numai scule care corespund EN 847-1.

Nu folosiți pânze de ferăstrău din oțel rapid

Folosiți pânza de ferăstrău potrivită pentru materialul care urmează a fi tăiat.

Numărul de rotații admis pentru elementele de montat în aparat, trebuie să fie la fel de mare ca numărul de rotații înscris pe acesta. O rotire mai rapidă decât cea admisă le poate sparge sau azvîrli din aparat.

Sculele trebuie transportate și depozitate în recipiente corespunzătoare;

Folosiți pentru fixarea pânzei de ferăstrău numai flanșele furnizate cu mașina și reprezentate în imaginea din instrucțiunile de utilizare.

Nu folosiți ferăstrăul de spintecat niciodată pentru tăierea altor materiale decât cele indicate în instrucțiunile de utilizare.

Ferăstrăul de retezat va fi folosit doar cu învelitoare de protecție bine întreținută și a cărei funcțiune este sigură. Învelitoarea de protecție trebuie să se poată rabata înapoi în mod automat.

Nu îndepărtați resturi de tăiere sau alte părți de piesă din zona de tăiere atâta timp cât mașina se află în mișcare, iar capul fierăstrăului nu a ajuns în poziția de repaus.

Nu intrați niciodată în zona de pericol a plăcii când este în mișcare.

Întotdeauna utilizați ecranele de protecție ale mașinii.

Eventualele deranjamente ale mașinii, inclusiv cele la instalația de protecție respectiv la pânzele de ferăstrău, trebuie comunicate fără întârziere persoanei responsabile pentru siguranță.

Nu fixați apărătoarea rabatabilă.

Piese lungi se vor sprijini în mod corespunzător.

Transportați ferăstrăul de spintecat numai cu siguranța de transport de la mânerul de transport blocată.

În momentul realizării unor tăieturi oblice, conice sau combinate, ajustați fața glisantă pentru a asigura distanța corectă a cuțitului.

Prin utilizarea unei viteze de avans adecvate evitați supraîncălzirea dinților pânzei de ferăstrău iar la tăierea materialului plastic, evitați topirea acestuia.



CONDIȚII DE UTILIZARE SPECIFICATE

Ferăstrăul de retez se pretează pentru a rețeza lemn masiv, lemn înclaiat, materiale de lucru asemănătoare lemnului și materiale plastice.

Nu este permis ca piesele cu secțiune circulară sau neregulată (de ex. lemne de foc) să fie tăiate la fierăstrău, întrucât în timpul tăierii ele nu sunt fixate în condiții de siguranță. La tăierea pieselor plane în poziție verticală trebuie utilizat un opritor auxiliar adecvat în vederea asigurării unei ghidării sigure.

RISCURI REZIDUALE

Chiar și când produsul este utilizat corect, riscurile reziduale nu pot fi complet excluse. Următoarele riscuri pot apărea în timpul utilizării, de aceea utilizatorul trebuie să țină cont de următoarele:

- Pentru a evita deficiențele auditive trebuie limitat timpul de expunere și trebuie purtată o protecție auditivă adecvată.
- Utilizatorul ar trebui să ia măsuri pentru a reduce efectele vibrațiilor și pentru a limita timpul de expunere.
- Pentru a evita riscurile pentru sănătate care pot apărea din cauza inhalării de praf provenit din prelucrare se va purta o mască pentru protecția respirației.

ACUMULATORI

Acumulatorii care nu au fost utilizați o perioadă de timp trebuie reincărcați înainte de utilizare

Temperatura mai mare de 50°C (122°F) reduce performanța acumulatorului. Evitați expunerea prelungită la căldură sau radiație solară (risic de supraîncălzire)

Contactele încărcătoarelor și acumulatorilor trebuie păstrate curate.

În scopul optimizării duratei de funcționare, bateriile trebuie reincărcate complet după utilizare.

Pentru o durată de viață cât mai lungă, acumulatorii ar trebui scoși din încărcător după încărcare.

La depozitarea acumulatorilor mai mult de 30 zile: Acumulatorii se depozitează la cca. 27°C și la loc uscat. Acumulatorii se depozitează la nivelul de încărcare de cca. 30%-50%. Acumulatorii se încarcă din nou la fiecare 6 luni.

TRANSPORTUL ACUMULATORILOR CU IONI DE LITIU

Acumulatorii cu ioni de litiu cad sub incidența prescripțiilor legale pentru transportul de mărfuri periculoase.

Transportul acestor acumulatori trebuie să se efectueze cu respectarea prescripțiilor și reglementărilor pe plan local, național și internațional.

Consumatorilor le este permis transportul rutier nerestricționat al acestui tip de acumulatori.

Transportul comercial al acumulatorilor cu ioni de litiu prin intermediul firmelor de expediție și transport este supus reglementărilor transportului de mărfuri periculoase. Pregătirile pentru expediție și transportul au voie să fie efectuate numai de către personal instruit corespunzător. Întregul proces trebuie asistat în mod competent.

Următoarele puncte trebuie avute în vedere la transportul acumulatorilor:

Pentru a se evita scurtcircuitul, asigurați-vă de faptul că sunt protejate și izolate contactele. Aveți grijă ca pachetul de acumulatori să nu poată aluneca în altă poziție în interiorul ambalajului său. Este interzis transportarea unor acumulatori deteriorați sau care pierd lichid. Pentru indicații suplimentare adresați-vă firmei de expediție și transport cu care colaborați.

PROTECȚIE SUPRAÎNCĂRCARE ACUMULATOR

În cazul unei suprasolicitări a acumulatorului datorită unui consum excesiv de curent electric, de ex. datorită unor momente de turație extrem de înalte, a unei opriri subite sau a unui scurt circuit, sula electrică trepidează timp de 5 secunde, indicația stării de încărcare pălpăie și sula electrică se deconectează de la sine. Pentru reconectare dați drumul întrerupătorului și conectați din nou.

În cazul unor sarcini extreme, acumulatorul se încinge prea tare. În acest caz toate lămpile indicației stării de încărcare pălpăie până când acumulatorul s-a răcit. După ce indicația stării de încărcare s-a stins se poate lucra mai departe.

Pentru a-l reincărca și activa, puneți acumulatorul în în aparatul de încărcare.

ÎNTEȚINERE

Îndepărtați acumulatorul înainte de începerea lucrului pe mașina

Asigurați-vă că deconectați unealta de la sursa de alimentare înainte de atașarea sau înlăturarea lamei ferăstrăului.

Înlocuiți inserția uzată a mesei.

Curățați aparatul și dispozitivul de protecție cu o lavetă uscată.

Fantele de aerisire ale mașinii trebuie să fie menținute libere tot timpul

Utilizați numai accesorii și piese de schimb Milwaukee. Dacă unele din componente care nu au fost descrise trebuie înlocuite , vă rugăm contactați unul din agenții de service Milwaukee (vezi lista noastră pentru service / garanți

Dacă este necesar, se poate comanda o imagine descompusă a sculei. Vă rugăm menționați numărul art. Precum și tipul mașinii tipărit pe etichetă și comandați desenul la agenții de service locali sau direct la Techtronic Industries GmbH, Max-Eyth-Straße 10, 71364 Winnenden, Germany.

DECLARAȚIE DE CONFORMITATE

Declarăm pe propria răspundere că produsul descris în capitolul „Date tehnice” îndeplinește toate cerințele relevante ale directivelor

2011/65/UE (RoHS)

2006/42/CE

2014/30/UE

și au fost utilizate următoarele standarde armonizate

EN 62841-1:2015

EN 62841-3-9:2015

EN 55014-1:2006+A1:2009+A2:2011

EN 55014-2:2015

EN 61326-1:2013

EN 50581:2012



Winnenden, 2016-08-19

Alexander Krug / Managing Director

Împuternicit să elaboreze documentația tehnică.

Techtronic Industries GmbH

Max-Eyth-Straße 10, 71364 Winnenden, Germany



SIMBOLURI



PERICOL! AVERTIZARE! ATENȚIE!



Îndepărtați acumulatorul înainte de începerea lucrului pe mașina



Va rugăm citiți cu atenție instrucțiunile înainte de pornirea mașinii



Purtați întotdeauna ochelari de protecție când utilizați mașina.



Purtați căști de protecție



Purtați mănuși de protecție!



Zonă periculoasă! Pe cât posibil țineți-vă mâinile, degetele sau brațele departe de acest sector.



Nu lăsați mașina în ploaie.



ATENȚIE! A nu se privi în lampa aprinsă.



Aruncarea aparatelor electrice la gunoierul menajer este interzisă. Echipamentele electrice și electronice trebuie colectate separat și predate la un centru de reciclare și eliminare a deșeurilor, pentru a fi eliminate ecologic. Interesați-vă la autoritățile locale sau la comerciantul dvs. de specialitate unde se află centre de reciclare și puncte de colectare.



Marcaj CE



Marcaj de conformitate UkrSEPRO.

TR 066



Marcaj de conformitate EurAsian.

Технички податоци	M18 FMS254
Пила за отсекување, влечење и аголна пила	
Произведен број	4569 52 01... ...000001 - 999999
Брзина без оптоварување	4000 min ⁻¹
Волтажа на батеријата	18 V
Сечило на пила дијаметар x дијаметар на отвор	254 x 30 mm
Дебелина на телото на ножот макс.	2 mm
Дебелина на запците од ножот за сечење мин.	2,8 mm
Ширина на сечење макс.	
агол на навалување 0°/ Нагиб 0°	91 x 289 mm
агол на навалување 45°/ Нагиб 0°	91 x 205 mm
агол на навалување 0°/ Нагиб 45°	51 x 289 mm
агол на навалување 45°/ Нагиб 45°	51 x 205 mm
Тежина според ЕПТА-процедурата 01/2003 (Li-Ion 5,0 Ah)	20,0 kg
Информации за бучавата	
Измерените вредности се одредени согласно стандардот EN 62841. А-оценетото ниво на бучава на апаратот типично изнесува:	
Ниво на звучен притисок. (Несигурност K=3dB(A))	90,5 db(A)
Ниво на јачина на звук. (Несигурност K=3dB(A))	101,5 db(A)
Носте штитник за уши.	



Mak

⚠ ПРЕДУПРЕДУВАЊЕ Прочитајте ги сите безбедносни напомени, упатства, цртежи и податоци, коишто ги добивате заедно со уредот. Забораване на почитувањето на безбедносните упатства и инструкции можат да предизвикаат електричен удар, пожар и/или тешки повреди. Сочувајте ги сите безбедносни упатства и инструкции за во иднина.

⚠ БЕЗБЕДНОСНИ УПАТСТВА ЗА ПИЛА ЗА СЕЧЕЊЕ ПОД АГОЛ

- Пилите за сечење под агол се наменети за сечење дрво или слични производи, не може да се употребуваат со абразивни дискови за сечење на црни метали, како на пр. шипки, палки, шајки и др.** Абразивниот прав предизвикува блокирање на подвижните делови, на пр. на долниот штитник. Искрите од абразивно сечење го горат долниот штитник, засекот и пластичните делови.
- Користете стегачи за држење на парчето за обработка секогаш кога можете. Ако го потпирате парчето за обработка со рака, раката постојано мора да биде на оддалеченост од најмалку 100 мм од обете страни на сечилото од пила. Не ја користете оваа пила за сечење на многу мали парчиња кои не може безбедно да се прицврстат или да се држат со рака.** Ако раката ја ставите преблиску до сечилото на пила, постои голема опасност од повреда при допирање на сечилото.
- Парчето за обработка мора да биде статично и прицврстено или да се држи и за граничникот и за масата. Не го ставајте парчето за обработка во сечилото или жлебот „со слободна рака“ на никој начин.** Слободно или неприцврстено парче за обработка може да биде исфрлено со голема брзина и да предизвика повреда.
- Притиснете ја пила низ парчето за обработка. Не ја влечете пила низ парчето за обработка. За да пресечете, подигнете ја главата на пила и повлечете ја преку парчето за обработка без сечење, вклучете го моторот, притиснете ја главата на пила надолу и притиснете ја пила низ парчето за обработка. Со**

повлекување на пила додека сечете, сечилото може да се искачи на врвот на парчето за обработка и силно да го отфрли склопот на сечилото кон ракувачот.

- Никогаш не ги прекрстувајте рацете врз одредената линија за сечење пред и зад сечилото на пила.** Држење на парчето за обработка „со вкрстени раце“ т.е. држење на парчето за обработка на десната страна од сечилото на пила со лева рака или обратно, е многу опасно.
- Не посегнувајте со рацете зад граничникот поблиску од 100 мм од двете страни на сечилото за да ги отстраните дрвените остатоци или заради друга причина, додека сечилото ротира.** Може да не забележите колку е блиску сечилото до Вашата рака, па може сериозно да се повредите.
- Проверете го парчето за обработка пред да започнете со сечењето. Ако парчето за обработка е накривено или навалено, прицврстете ја надворешната навалена страна на граничникот. Секогаш проверувајте дали има луфта меѓу парчето за обработка, граничникот и масата покрај линијата на сечење.** Накривено или навалено парче за обработка може да се извитка или помести и да предизвика заматување на сечилото кое ротира при сечење. Не смее да има шајки или други туѓи предмети во парчето за обработка.
- Не ја употребувајте пила ако на масата, освен парчето за обработка, има алати, дрвени остатоци и др.** Ако малите остатоци или расфрлените парчиња дрво или другите предмети се допрат до ротирачкото сечило, може да се расфрлаат со голема брзина.
- Сечете само едно парче.** Ако повеќе парчиња се наредени едно врз друго, не може соодветно да се зацврстат или поврзат, па може да се фатат за сечилото или да се измстат во текот на сечењето.
- Проверете дали пила за сечење под агол е монтирана или наместена на рамна, цврста работна површина пред да ја користите.** Рамната и цврста работна

Македонски

површина го намалува ризикот пилата за сечење под агол да стане нестабилна.

к) Испланирајте ја работата. Секојпат кога ќе ја промените косината или подесениот агол на закосување, проверете дали граничникот кој се подесува е правилно поставен за држење на парчето и дека нема да му пречи на сечилото или на заштитниот систем. Без да го вклучување алатот на „ON“ и без ставено парче за обработка на масата, движете го сечилото на пилата низ целосно симулиран пресек, за да проверите дали има некакви пречки, или опасност да се пресече граничникот.

л) Обезбедете соодветен потпирач, како на пр. продолжеток на масата, ногарки за потпора на пилата и др., за парчиња за обработка кои се пошироки или подолги од горниот дел на масата. Ако парчињата за обработка се подолги или пошироки од пилата за сечење под агол, тие може да паднат доколку не се прицврстени. Ако отсеченото парче или парчето кое се обработува се навали, може да ја подигне долната заштита или да биде исфрлено од самото ротирачко сечило.

м) Не користете друго лице како замена за продолжеток на масата или како дополнителен држач. Нестабилен држач за парчето кое се обработува може да предизвика зафаќање на сечилото или поместување на парчето за обработка во текот на сечењето, па да Ве повлече Вас и помошникот кон ротирачкото сечило.

н) Отсеченото парче никако не смее да се заглави или да притиска кон ротирачкото сечило. Ако се заглави, т.е. со помош на должинските граничници, отсеченото парче може да се заглави на сечилото и силно да биде исфрлено.

о) Секогаш користете стега или прицврстувач кој е правилно дизајниран за држење на тркалезен материјал, како на пр. мотки или цевки. Мотките се склони да се вртат додека ги сечете, па предизвикуваат сечилото да го „зафаќа“ и влече парчето со Вашата рака кон сечилото.

р) Оставете сечилото да достигне целосна брзина пред да го допре парчето за обработка. Со ова ќе се намали ризикот парчето за обработка да биде исфрлено.

с) Ако парчето за обработка или сечилото биде блокирано, исклучете ја пилата за сечење под агол. Почекајте сите подвижни делови да запрат и исклучете го приклучокот од струја и/или извадете ги батериите. Потоа извадете го заглавениот материјал. Ако продолжите да сечете со заглавено парче за обработка, може да изгубите контрола или да ја оштетите пилата.

т) Откако ќе завршите со сечењето, ослободете го копчето, држете ја главата на пилата надолу и почекајте сечилото да застане пред да го извадите исеченото парче. Доближување на раката до сечилото кое сè уште се врти, е опасно.

у) Држете ја цврсто рачката кога правите нецелосно сечење или кога го ослободувате прекинувачот, пред главата на пилата да биде целосно во позиција надолу. Закочувањето на пилата може да предизвика главата на пилата одеднаш да биде повлечена надолу, па да предизвика ризик од повреда.

Останати безбедносни и работни упатства

Носете штитник за уши. Влијанието на бука може да предизвика губење на сетилото за слух.

Секогаш носете ракавици кога ја користите машината. Исто така препорачливо е да се носат очила, цврсти чевли кои не се лизгаат и престилка.

Прашината која се крева при работа со овој алат може да биде штетна по здравјето и затоа не го изложувајте го телото. Користете систем за апсорпција на прашиката и носете соодветна заштитна маска. Одстранете ја целосно наталожената прашина пр: со правосмукалка.

Приклучете ја пилата за правосмукалка, кога обработувате дрво.

Носете ракавици!

Пред да го употребите алатот ве молиме прочитајте ги инструкциите. Доколку е возможно со претходна демонстрација.

Обезбедете, машината да стои постојано цврсто (на пример прицврстување на работната маса).

Одржувајте го подот чист од остатоци на материјал, на пример струготини или остатоци од пилење.

Не употребувајте оштетени или деформирани дискови.

Не користете сечила кои не одговараат на пропишаните параметри дадени во овој прирачник за употреба.

Смее да се користи само алат што одговара на нормата EN-847-1

Не користете сечила за пила кои се направени од високобрзински челик

Неопходно е да изберете го виде ножот кој е погоден за материјалот се сече.

Бројот на вртежи на алатот, којшто се употребува, мора да биде нај-малку толку висок како и бројот на вртежите на вашиот електро-алат. Додатокот, којшто се врти побрзу, може да се скриша и да излета.

Алатите треба да се транспортираат и чуваат во соодветен контејнер.

За да го обезбедите сечилото на пилата не користете ножеви различни од постоечките или оние кои се наведени во прирачникот.

Никогаш не ја користете пилата за сечење други материјали освен наведените во прирачникот за употреба.

Употребувајте ја пилата за отсекување само со сигурно функционирачки и добро одржуван заштитен капак. Заштитниот капак мора да се отклонува самостојно.

Не отстранувајте остатоци од пилење или други делови од обработуваните предмети во подрачјето на пилење кога машината работи и кога главата за пилење не е во положба на мирување.

Никогаш не посегнувајте во зоната на опасната работна површина при вклучена машина.

Секогаш користете заштитен штит на машината.



Не ја затегнувајте вртливата заштита.

Долгите парчиња мораат да бидат соодветно потпирани.

Рачното заклучување мора секогаш да биде во функција при транспорт на пилата за сечење.

При спојувањето на цевките под прав агол, под наклон или комбинирани агли под прав агол, подесете ја лизгачката ограда, за да обезбедите правилно минување на ножот.

Со прилагодена брзина на движењето напред, избегнете го прегревањето на забчаниците, а при сечењето на пластични материји избегнете го топењето на материјалот.

СПЕЦИФИЦИРАНИ УСЛОВИ НА УПОТРЕБА

Пилата за отсекување се употребува за пилење масивно дрво, залепени дрва како и за материјали слични на дрво и пластика.

Предмети со кружен или нерамномерен пресек (на пример огревно дрво) не смеат да се пилат, бидејќи при пилење не можат да се држат сигурно. При аголно пилење рамни предмети мора да се употребува соодветен помошен аншлаг со цел за безбедно водење.

ОСТАТОЧНИ ОПАСНОСТИ

Дури и при уредна употреба на производот не можат во целост да се исклучат остатошни опасности. При употребата можат да се појават следниве ризици, поради кое што корисникот мора да обрати внимание на следново:

- За да се спречи оштетувањето на слухот мора да се ограничи времето на експозиција и да се носи соодветна заштита за слух.
- Корисникот треба да превземе мерки за да го редуцира влијанието на вибрациите и за да го ограничи времето на експозиција.
- Треба да се носи маска за заштита на дишењето за да се избегнат ризици по здравјето кои што можат да настанат со вдишување на правот од пилењето.

БАТЕРИИ

Батериите кои не биле користени подолго време треба да се наполнат пред употреба.

Температура повисока од 50°C (122°F) го намалуваат траењето на батериите. Избегнувајте подолго изложување на батериите на високи температури или сонце (ризик од прегревање).

Клемите на полначот и батериите мора да бидат чисти.

За оптимален работен век батериите мора да се наполнат целосно по употреба.

За можно подолг век на траење, апаратите после нивно поленење треба да бидат извадени од апаратот за поленење на батериите.

Во случај на складирање на батеријата подолго од 30 дена: Акумулаторот да се чува на температура од приближно 27°C и на суво место. Акумулаторот да се складира на приближно 30%-50% од состојбата на наполнетост. Акумулаторот повторно да се наполни на секои 6 месеци.

ТРАНСПОРТ НА ЛИТИУМ-ЈОНСКИ БАТЕРИИ

Литиум-јонските батерии подлежат на законските одредби за транспорт на опасни материји.

Транспортот на овие батерии мора да се врши согласно локалните, националните и меѓународните прописи и одредби.

Потрошувачите на овие батерии може да вршат непречен патен транспорт на истите.

Комерцијалниот транспорт на литиум-јонски батерии од страна на шпедитерски претпријатија подлежат на одредбите за транспорт на опасни материји. Подготовките за шпедиција и транспорт треба да ги вршат исклучиво соодветно обучени лица. Целокупниот процес треба да биде стручно надгледуван.

При транспортот на батерии треба да се внимава на следното:

Осигурајте се дека контактите се заштитени и изолирани, а се тоа со цел да се избегнат кратки споеви. Внимавајте да не дојде до измествување на батериите во нивната амбалажа. Забранет е транспорт на оштетени или протечени литиум-јонски батерии. За понатамошни инструкции обратете се до Вашето шпедитерско претпријатие.

ЗАШТИТА ОД ПРЕОПТЕРЕТУВАЊЕ НА БАТЕРИЈАТА

При преоптеретување на батеријата како резултат на мошне висока потрошувачка на струја, на пример екстремно високи вртежни моменти, ненадејно стопирање или краток спој, електро-алатот вибрира 5 секунди, приказот за полнење трепка и електро-алатот самостојно се исклучува.

За повторно вклучување ослободете го притискачот на прекинувачот, а потоа повторно вклучете.

Во случај на екстремни оптоварувања батеријата се загрева премногу. Во таков случај трепкаат сите ламбички од приказот за полнење сè додека батеријата не се излади. По гаснење на приказот за полнење може да се продолжи со работа.

Тогаш ставете ја батеријата во уредот за поленење за повторно да ја напоните и активирате.

ОДРЖУВАЊЕ

Извадете го батерискиот склоп пред отпочнување на каков и да е зафат врз машината.

Уверете се дека алатката е исклучена од напојување пред да го прикачите или отстраните сечилото.

Заменете ја изабантата подлога за маса.

Апаратот и заштитната направа очистете ја со сува крпа.

Вентилациските отвори на машината мора да бидат комплетно отворени постојано.

Користете само Milwaukee додатоци и резервни делови.

Доколку некои од компонентите кои не се опишани треба да бидат заменети, Ве молиме контактирајте ги сервисните агенти на Milwaukee (консултирајте ја листата на адреси).

Доколку е потребно можно е да биде набавен детален приказ на алатот. Ве молиме наведете го бројот на артиклот како и типот на машина кој е отпечатан на етикетата и порачајте ја скицата кај локалниот застапник или директно кај: Techtronic Industries GmbH, Max-Eyth-Strasse 10, 71364 Winnenden, Germany.



ЕУ-ДЕКЛАРАЦИЈА ЗА СООБРАЗНОСТ

Под целосна лична одговорност изјавуваме дека производот опишан во „Технички податоци“ е во сообразност со сите релевантни прописи од директивите

2011/65/EU (RoHS)

2006/42/EC

2014/30/EU

и дека се применети следните хармонизирани стандарди

EN 62841-1:2015

EN 62841-3-9:2015

EN 55014-1:2006+A1:2009+A2:2011

EN 55014-2:2015

EN 61326-1:2013

EN 50581:2012



Winnenden, 2016-08-19



Alexander Krug / Managing Director

Ополномоштен за составување на техничката документација.

Techtronic Industries GmbH

Max-Eyth-Straße 10, 71364 Winnenden, Germany

СИМБОЛИ



ВНИМАНИЕ! ПРЕДУПРЕДУВАЊЕ! ОПАСНОСТ!



Извадете го батерискиот склоп пред отпочнување на каков и да е зафат врз машината.



Ве молиме пред да ја стартувате машината обрнете внимание на упатствата за употреба.



Секогаш при користење на машината носете ракавици.



Носте штитник за уши.



Носете ракавици!



Опасна зона! Држете ги дланките, прстите или рацете колку е можно подалеку од оваа зона.



Не ја изложувајте машината на дожд.



ВНИМАНИЕ! Не гледајте во вклучената ламба.



Електричните апарати не смеат да се фрлат заедно со домашниот отпад. Електричните и електронските апарати треба да се собираат одделно и да се однесат во соодветниот погон заради нивно фрлање во склад со начелата за заштита на околината. Информирајте се кај Вашите местни служби или кај специјализираниот трговски претставник, каде има такви погони за рециклажа и собирни станици.



CE-знак



UkrSEPRO знак на конформитет.



EurAsian (Евроазиски) знак на конформитет.

Технічні характеристики Торцювальна та вусорізна пила	M18 FMS254
Номер виробу	4569 52 01... ...000001 - 999999
Кількість обертів холостого ходу	4000 min ⁻¹
Напруга знімної акумуляторної батареї	18 V
Ø пилкового диску x Ø отвору	254 x 30 mm
Товщина тіла пильного полотна макс.	2 mm
Товщина зубців пильного полотна мін.	2,8 mm
Ширина різання макс. З'єднання під гострим кутом 0°/ Нахил 0° З'єднання під гострим кутом 45°/ Нахил 0° З'єднання під гострим кутом 0°/ Нахил 45° З'єднання під гострим кутом 45°/ Нахил 45°	91 x 289 mm 91 x 205 mm 51 x 289 mm 51 x 205 mm
Вага згідно з процедурою EPTA 01/2003 (Li-Ion 5,0 Ah)	20,0 kg
Інформація про шум Вимірні значення визначені згідно з EN 62841. Рівень шуму „А“ приладу становить в типовому випадку: Рівень звукового тиску (похибка K = 3 дБ(A)) Рівень звукової потужності (похибка K = 3 дБ(A))	90,5 db(A) 101,5 db (A)
Використовувати засоби захисту органів слуху!	



УКР

⚠ ПОПЕРЕДЖЕННЯ Ознайомтеся з усіма вказівками щодо техніки безпеки, інструкціями, ілюстраціями та відомостями, що було надано разом із приладом. Упущення при дотриманні вказівок з техніки безпеки та інструкцій можуть призвести до ураження електричним струмом, пожежі та/або тяжких травм.

Зберігайте всі вказівки з техніки безпеки та інструкцій на майбутнє.

⚠ ІНСТРУКЦІЇ З ТЕХНІКИ БЕЗПЕКИ ДЛЯ КУТОРІЗНИХ ПИЛ

а) Куторізни пили призначені для розрізання деревини та деревоподібних виробів, їх не можна використовувати з абразивними відрізними дисками для розрізання металевих матеріалів, наприклад брусків, прутків, стержнів тощо. Абразивний пил призводить до заклинювання рухомих частин, наприклад нижнього захисного щитка. Іскри від різання абразивним диском призведуть до розплавлення нижнього захисного щитка, прорізної вставки й інших пластмасових деталей.

б) Якщо це можливо, фіксуйте заготовку зажимами. Якщо ви підтримуєте заготовку рукою, завжди тримайте руку на відстані не менше 100 мм від кожного боку леза. Не розрізайте пилою заготовки замало розміру, які неможливо безпечно зафіксувати зажимом або рукою. Якщо рука знаходиться надто близько до леза, існує підвищений ризик травмування внаслідок контакту з лезом.

в) Заготовка повинна бути нерухомо зафіксована зажимом або рукою відносно столу й перегородки. Не направляйте заготовку до леза та не виконуйте розрізання будь-яким чином «від руки». Пила викине незафіксовані чи рухомі заготовки під час роботи на великих швидкостях, що може призвести до травмування.

д) Переміщуйте пилу по відношенню до заготовки, штовхаючи пилу від себе. Не тягніть пилу на себе. Щоб зробити розріз, підніміть головку пили, наведіть її над заготовкою без розрізання, увімкніть двигун, опустіть

головку пили вниз і штовхайте пилу від себе. Якщо під час розрізання перемішувати пилу до себе, лезо пили може переміститися на верхню частину заготовки, через що сила обертання виштовхне блок леза в бік оператора.

е) У жодному разі не наводьте руку на передбачену лінію розрізу перед лезом пили або позаду нього. Не тримайте заготовку «перехрещеними руками», тобто не ставте ліву руку праворуч від леза чи навпаки, це дуже небезпечно.

ф) Коли лезо обертається, не простягайте руку за перегородку ближче ніж на 100 мм від будь-якого боку леза, щоб прибрати обрізки деревини, або з будь-якою іншою метою. Не завжди можна оцінити, наскільки близько рука розташовується від леза, що обертається, і ви можете отримати важку травму.

г) Перед розрізанням огляньте заготовку. Якщо заготовка викривлена чи деформована, розташуйте її вигином убік перегородки та зафіксуйте зажимом. Вздовж лінії розрізання не повинно бути щілин між заготовкою, перегородкою та столом. Викривлені чи деформовані заготовки можуть перекутитися чи зміститися, через що під час розрізання вони можуть зачепитися за лезо пили, що обертається. На заготовках не повинно бути цвяхів або сторонніх об'єктів.

h) Перед використанням пили очистьте стіл від усіх інструментів, обрізків деревини тощо, залишивши лише заготовку. Пила може з великою швидкістю викинути невеликі сторонні об'єкти, незакріплені шматки деревини чи інші об'єкти, якщо вони контактують із лезом, що обертається.

і) Розрізайте лише одну заготовку за один раз. Групу з кількох установлених одна на одну заготовок не можна належним чином зафіксувати зажимом або ременем, і заготовки можуть зачепитися за лезо чи зміститися під час розрізання.

ж) Перед використанням переконайтеся в тому, що куторізну пилу встановлено чи закріплено на рівній твердій поверхні. Робоча поверхня повинна бути рівною та твердою, щоб знизити ризик коливання пили.

Українська

к) Плануйте свою роботу. Кожного разу, коли ви змінюєте налаштування нахилу чи кута розрізання, перевіряйте, чи правильно встановлено налаштовану перегордку, яка повинна підтримувати заготовку та не перешкоджати роботі леза чи запобіжної системи.

Не вмикаючи інструмент і не встановлюючи заготовку на стіл, проведіть лезо пили через усю умовну лінію розрізу та переконайтеся в тому, що лезо не наштовхнеться на перегордку та не пошкодить її.

l) Якщо довжина чи ширина заготовки перевищує розміри столу, використовуйте необхідну опору, наприклад додаткові секції столу, підставки тощо.

Без належного закріплення заготовки, довжина чи ширина яких перевищує розміри столу куторізної пили, можуть перекинутися. Якщо відрізана частина чи заготовка перекинеться, вона може підняти нижній захисний щиток, або її може викинути лезо, що обертається.

т) Не звертайтеся до іншої особи з проханням зафіксувати заготовку вручну. Ненадійне закріплення заготовки може призвести до защемлення леза або до зміщення заготовки під час розрізання, внаслідок чого ви або помічник можете потрапити під лезо, що обертається.

п) Заборонено будь-яким чином притискати чи штовхати частину, що відрізається, у напрямку до леза під час його обертання. Якщо частину, що відрізається, зафіксовано, наприклад за допомогою упорної лінійки, вона може перешкоджати роботі леза, і її може бути викинуто під дією сили обертання.

о) Для фіксації круглих матеріалів, наприклад стовбурів чи труб, завжди використовуйте зажим або спеціальне приладдя для кріплення. Стовбури мають тенденцію до обертання під час розрізання, через що пила може захопити заготовку та затягнути її та ваші руки під лезо.

р) Перед розрізанням заготовки лезо повинно досягти повної швидкості обертання. Це знизить ризик викидання заготовки.

q) У разі защемлення леза чи заготовки вимкніть пилу. дочекайтеся зупинки всіх рухомих частин, вимкніть штепсель із розетки живлення та/або від'єднайте акумулятор. Потім видаліть матеріал, який перешкоджає роботі. Якщо ви продовжуєте роботу, коли заготовку заклинено, ви можете втратити контроль або пошкодити пилу.

r) Після розрізання вимкніть перемикач, опустіть головку пили та дочекайтеся зупинки леза, перш ніж виймати відрізану частину. Не наближайте руки до леза, що рухається за інерцією, це небезпечно.

s) Міцно тримайте ручку, коли ви робите неповний надріз або якщо ви вимикаєте перемикач, перш ніж головка пили встановиться в крайньому нижньому положенні. Під дією гальмівної сили головка пили може раптово зміститися вперед, що становить загрозу поранення.

Додаткові інструкції з техніки безпеки та експлуатації

Користуйтеся засобами захисту органів слуху. Вплив шуму може спричинити втрату слуху.

Під час роботи з машиною завжди носити захисні окуляри. Радимо носити захисні рукавиці, міцне та нековзне взуття і фартух.

Пил, що утворюється під час роботи, часто буває шкідливим для здоров'я; він не повинен потрапляти в організм. Використовувати засоби для відсмоктування пилу та додатково носити відповідну маску для захисту від пилу. Відкладення пилу ретельно видаляти, наприклад, пилососом.

При пилянні деревини під'єднайте пилку до пилососа.

Носити захисні рукавиці!

Перед першим використанням приладу радимо уважно прочитати цю інструкцію з експлуатації та пройти інструктаж з практичного використання.

Завжди забезпечувати стійке положення машини (наприклад, закріпити на верстаті).

На підлозі не повинно бути залишків матеріалів - стружки та тирси.

Не використовувати пилкові диски, що пошкоджені або деформовані.

Пилкові диски, які не відповідають технічним параметрам цієї інструкції з експлуатації, використовувати не можна.

Слід використовувати лише ті інструменти, які відповідають EN 847-1.

Не використовувати пилкові диски, вироблені з швидкокорозійної сталі.

Вибрати пилковий диск відповідно до оброблюваного матеріалу.

Допустима кількість обертів вставного інструменту має бути меншою, ніж максимальна кількість обертів, вказана на електроінструменті. Комплектуючі, що обертаються швидше, ніж дозволено, можуть зламатися і відлетіти.

Інструменти слід транспортувати та зберігати в відповідному контейнері.

Використовувати для кріплення пилкового диску тільки фланці, які постачаються з пилкою та представлені на ілюстраціях в інструкції з експлуатації.

Торцювальну пилку ніколи не використовувати для різання інших матеріалів, крім тих, що вказані в інструкції з експлуатації.

Використовувати торцювальну пилку тільки з захисним кожухом, який надійно функціонує та регулярно проходить технічне обслуговування. Захисний кожух повинен автоматично повертатися назад.

Не видаляти стружку або інші частини заготовок з області пиляння, коли машина працює і голівка пилки не знаходиться в положенні зупинки.

Частини тіла не повинні потрапляти в небезпечну область машини, коли вона працює.

Обов'язково користуватися захисним обладнанням машини.

Необхідно повідомити відповідальній особі про несправності машини, в тому числі несправності захисного приладу або пилкового диску, як тільки вони виявляються.

Чи не фіксуйте поворотне захисну огорожу.

Для довгих заготовок необхідні відповідні опори.



УКР

Переносити торцювальну пилку за рукоятку тільки з заблокованим транспортним фіксатором.

Відрегулювати направляючий упор для різання під кутом, з нахилом або для комбінованого різання так, щоб встановити правильний зазор для подавання.

Швидкість подачі слід коригувати так, щоб уникати перегрівання зубців пилюкового диску, а при різанні полімерних матеріалів - розплення матеріалу.

ВИКОРИСТАННЯ ЗА ПРИЗНАЧЕННЯМ

Торцювальна пилка може використовуватися для різання масивної деревини, клеєної деревини, матеріалів, подібних до деревини, полімерних матеріалів.

Не можна розпилювати заготовки з круглим або нерівним перерізом (наприклад, дерева), бо їх неможливо надійно утримувати при пилянні. При пилянні плоских заготовок, що стоять на ребрі, необхідно використовувати відповідний допоміжний упор для безпечного спрямування пилки.

ЗАЛИШКОВІ БЕЗБЕПЕКИ

Навіть при належному застосуванні виробу неможливо повністю виключити залишкові ризики. При використанні можуть виникати наступні ризики, і тому користувач повинен звертати увагу на наступне:

- Щоб запобігти ураженню слуху, необхідно знизити час впливу та носити відповідні засоби захисту органів слуху.
- Користувач повинен вжити заходів, щоб знизити дію вібрації та обмежити тривалість дії вібрації.
- Необхідно носити фільтруючу захисну маску, щоб уникнути ризиків для здоров'я внаслідок вдихання пилу після пиляння.

АКУМУЛЯТОРНІ БАТАРЕЇ

Знімну акумуляторну батарею, що не використовувалася тривалий час, перед використанням необхідно підзарядити.

Температура понад 50 °C зменшує потужність змінної акумуляторної батареї. Уникати тривалого нагрівання сонячними променями або системою обігріву.

З'єднувальні контакти зарядного пристрою та змінної акумуляторної батареї повинні бути чистими.

Для забезпечення оптимального строку експлуатації акумуляторні батареї після використання необхідно повністю зарядити.

Для забезпечення максимально можливого терміну експлуатації акумуляторні батареї після зарядки необхідно виймати з зарядного пристрою.

При зберіганні акумуляторної батареї понад 30 днів: Зберігати акумуляторну батарею при температурі приблизно 27 °C в сухому місці. Зберігати акумуляторну батарею в стані зарядки приблизно 30-50 %. Кожні 6 місяців знову заряджати акумуляторну батарею.

ТРАНСПОРТУВАННЯ ЛІТІЙ-ІОННИХ АКУМУЛЯТОРНИХ БАТАРЕЙ

Літій-іонні акумуляторні батареї підпадають під заборони про перевезення небезпечних вантажів.

Транспортування таких акумуляторних батарей повинно відбуватися із дотриманням місцевих, національних та міжнародних приписів та положень.

споживачі можуть без проблем транспортувати ці акумуляторні батареї по вулиці.

Комерційне транспортування літій-іонних акумуляторних батарей експедиторськими компаніями підпадає під положення про транспортування небезпечних вантажів. Підготовку до відправлення та транспортування можуть здійснювати виключно особи, які пройшли відповідне навчання. Весь процес повинні контролювати кваліфіковані фахівці.

При транспортуванні акумуляторних батарей необхідно дотримуватись зазначених далі пунктів:

Переконайтеся в тому, що контакти захищені та ізольовані, щоб запобігти короткому замиканню. Слідкуйте за тим, щоб акумуляторна батарея не переміщувалася всередині упаковки. Пошкоджені акумуляторні батареї, або акумуляторні батареї, що потекли, не можна транспортувати. Для отримання подальших вказівок звертайтеся до своєї експедиторської компанії.

ЗАХИСТ АКУМУЛЯТОРНОЇ БАТАРЕЇ ВІД ПЕРЕВАНТАЖЕННЯ

У випадку перевантаження акумуляторної батареї внаслідок дуже високого споживання струму, наприклад, надмірно високого крутильного моменту, раптової зупинки або короткого замикання, електроінструмент вібрує 5 секунд, індикатор заряду блимає, електроінструмент самостійно вимикається.

Для повторного увімкнення відпустити кнопку вимикача і знову увімкнути.

При надмірних навантаженнях акумуляторна батарея сильно перегрівається. В цьому випадку всі лампочки індикатора заряду блимають, доки акумуляторна батарея не охолоне. Можна продовжити роботу після того, як індикатор заряду згасне.

Вставити акумуляторну батарею в зарядний пристрій, щоб знову зарядити та активувати її.

ОБСЛУГОВУВАННЯ

Перед будь-якими роботами на приладі вийняти змінну акумуляторну батарею.

Замінити зношену вкладку стола.

Чистити прилад та захисний пристрій сухою серветкою.

Завжди підтримувати чистоту вентиляційних отворів.

Використовувати тільки комплектуючі та запчастини Milwaukee. Деталі, заміна яких не описується, замінювати тільки в відділі обслуговування клієнтів Milwaukee (зверніть увагу на брошуру „Гарантія / адреси сервісних центрів“).

У разі необхідності можна запросити креслення з зображенням вузлів машини в перспективному вигляді, для цього потрібно звернутися в ваш відділ обслуговування клієнтів або безпосередньо в Techtronic Industries GmbH, Max-Eyth-Strasse 10, 71364 Winnenden, Німеччина, та вказати тип машини та шестизначний номер на фірмовій табличці з даними машини.



СЕРТИФІКАТ ВІДПОВІДНОСТІ ВИМОГАМ ЄС

Ми заявляємо на власну відповідальність, що виріб, описаний в „Технічних даних“, відповідає всім застосовним положенням директиви

2011/65/EU (RoHS)

2006/42/EC

2014/30/EU

та наступним гармонізованим нормативним документам:

EN 62841-1:2015

EN 62841-3-9:2015

EN 55014-1:2006+A1:2009+A2:2011

EN 55014-2:2015

EN 61326-1:2013

EN 50581:2012



Знак CE



Знак відповідності для UKrSEPRO



Знак відповідності для Європи та Азії EurAsian



Winnenden, 2016-08-19

Alexander Krug / Managing Director

Уповноважений із складання технічної документації.

Techtronic Industries GmbH

Max-Eyth-Straße 10, 71364 Winnenden, Germany

СИМВОЛИ



УВАГА! ПОПЕРЕДЖЕННЯ! НЕБЕЗПЕЧНО!



Перед будь-якими роботами на приладі виняти зміну акумуляторну батарею.



Уважно прочитайте інструкцію з експлуатації перед введенням приладу в дію.



Під час роботи з машиною завжди носити захисні окуляри.



Використовувати засоби захисту органів слуху!



Носити захисні рукавиці!



Небезпечна зона! За можливість не підставляйте в неї руки та пальці.



Не тримати машину під дощем.



УВАГА! Не дивитись у ввімкнену лампочку.



Електричні прилади не можна утилізувати з побутовими відходами. Електричні та електронні прилади необхідно збирати окремо та здавати в спеціалізовані підприємства для утилізації, що не шкодить навколишньому середовищу. Зверніться до місцевих органів або до вашого дилера, щоб отримати адреси пунктів вторинної переробки та пунктів прийому.

Українська

والمعايير المتسقة التالية
EN 62841-1:2015
EN 62841-3-9:2015
EN 55014-1:2006+A1:2009+A2:2011
EN 55014-2:2015
EN 61326-1:2013
EN 50581:2012

2016-08-19, Winnenden



Alexander Krug / Managing Director
معمتدة للمطابقة مع الملف الفني

Techtronic Industries GmbH
Max-Eyth-Straße 10, 71364 Winnenden,
Germany

زومرا

تنبيه! تحذيرا! خطرا!



انزع البطارية قبل التعامل مع الجهاز.



يرجى قراءة التعليمات بعناية قبل بدء تشغيل الجهاز.



ارتدِ دائماً نظارات الوقاية عند استخدام الجهاز.



ارتدِ واقبات الأذن!



ارتدِ القفازات!



مجال الخطر! حافظ على إبعاد اليدين والأصابع أو الذراعين عن هذا المجال قدر الإمكان.



لا تعرض الآلة للمطر مطلقاً.



تنبيه! يحتمل انبعاث إشعاع يمثل خطورة على البصر من هذا المنتج.



يحظر التخلص من الأجهزة الكهربائية في القمامة المنزلية. يجب جمع الأجهزة الكهربائية والإلكترونية منفصلة وتسليمها للتخلص منها بشكل لا يضر بالبيئة لدى شركة إعادة استغلال الرجاء الاستفسار لدى الهيئات المحلية أو لدى التجار المتخصصين عن مواقع إعادة الاستغلال ومواقع الجمع.



علامة المطابقة الأوروبية



علامة المطابقة UkrSEPRO



علامة المطابقة الأوروبية الآسيوية



لتخزين البطارية أكثر من 30 يوم: خزن البطارية بحيث تكون درجة الحرارة أقل من 27° سليزيوس وبعيداً عن أي رطوبة خزن البطارية مشحونة بنسبة تتراوح بين 50% - 30 اشحن البطارية كالمعتاد، وذلك كل ستة أشهر من التخزين.

نقل بطاريات الليثيوم

تخضع بطاريات الليثيوم أيون لشروط قوانين نقل السلع الخطرة.

ويجب نقل هذه البطاريات وفقاً للأحكام والقوانين المحلية والوطنية والدولية.

يمكن للمستخدم نقل البطاريات برأ دون الخضوع لشروط أخرى.

يخضع النقل التجاري لبطاريات الليثيوم أيون عن طريق الغير إلى قوانين نقل السلع الخطرة. يتعين أن يقوم أفراد مدربون جيداً بالإعداد لعملية النقل والقيام بها بصحبة خبرة مثلهم.

متى تُنقل البطاريات:

عند التأكد من حماية أطراف توصيل البطارية وعزلها تجنياً لحدوث قصر بالدائرة. عند التأكد من حماية حزمة البطارية من الحركة داخل صندوق التعبئة. يُرجى عدم نقل البطاريات التي بها تشققات أو تسربات. يُرجى البحث مع شركة الشحن عن نصيحة أخرى



حماية البطارية

في حالات العزم العالي، أو إعاقة الحركة أو التوقف المفاجئ أو القصور في الدائرة الكهربائية الذي ينتج عنه سحب لقدرة كبير من التيار الكهربائي، ستصدر الآداة تذبذبات لمدة 5 ثوان، وسيضيء مقياس الوقود ثم تتوقف عن العمل. إعادة الضبط، حرر الزناد.

في الظروف القصوى للعمل، قد ترتفع درجة الحرارة الداخلية للبطارية ارتفاعاً شديداً. إذا حدث ذلك، سيضيء مقياس الوقود حتى تنخفض درجة حرارة البطارية. بعد انقضاء الأضواء، يمكنك متابعة العمل.

ضع البطارية على الشاحن للشحن ثم أعد ضبطها.

الصيانة

انزع البطارية قبل التعامل مع الجهاز.

تأكد من فصل الآداة من مزود الطاقة قبل تركيب أو إزالة شفرة المنشار.

استبدل ملقمة الطاولة عند تآكلها

نظف الجهاز وحاجب الحماية بفضة جافة.

يجب أن تكون فتحات تهوية الجهاز نظيفة طوال الوقت.

استخدم فقط ملحقات ميلوكي وكذلك قطع غيار ميلوكي.

إذا كانت المكونات التي يجب تغييرها غير مذكورة، يرجى الاتصال بأحد عملاء صيانة ميلوكي (انظر قائمة عناوين الصيانة/الصيانة الخاصة بنا).

عند الحاجة يمكن طلب رمز انفجار الجهاز بعد ذكر طراز الآلة والرقم السداسي المذكور على بطاقة طاقة الآلة لدى جهة خدمة العملاء أو مباشرة لدى شركة

Techtronic Industries GmbH

Max-Eyth-Straße 10

71364 Winnenden

المانيا

إعلان المطابقة - الاتحاد الأوروبي

نعلن تحت مسؤوليتنا وحدنا أن المنتج المعين تحت اسم "البليانات الفنية" يستوفي جميع الأحكام ذات الصلة ضمن التوجيهات

2011/65/EU (RoHS)

2006/42/EG

2014/30/EU

العربية

(m) لا تستعن بأي شخص لمساعدتك في تثبيت قطعة الشغل إذا كانت أطول أو أعرض من الطاولة. لأن قطعة الشغل المنحلة قد تؤدي إلى انثناء نصل المنشار أو تحرك قطعة الشغل أثناء القطع وسحبك أنت ومن يساعدك في تثبيتها باتجاه النصل.

(n) احرص على عدم ضغط أو حشر قطعة الشغل في نصل المنشار أثناء دورانه بأي حال من الأحوال. وإذا كانت قطعة الشغل منحصرة، كما في حالة الاستعانة بمصدات لتحديد الطول المراد قطعه، فقد تصطدم بالنصل وتؤذف بعنف.

(o) احرص دائماً على استخدام كلاب أو وسيلة تثبيت لغرض تثبيت قطعة الشغل المستديرة مثل القضبان أو الأنابيب. حيث أن القضبان غالباً ما تدور أثناء قطعها فتؤدي إلى "تثبيت" النصل بها وسحب قطعة الشغل مع يدك باتجاه النصل.

(p) اترك النصل يصل إلى أقصى سرعة لدورانه قبل ملامسته لقطعة الشغل. إذ أن ذلك سوف يساعد كثيراً في الحد من خطر قذف قطعة الشغل.

(q) إذا انحشرت قطعة الشغل أو النصل، فأوقف المنشار، وانتظر قليلاً حتى تتوقف كافة الأجزاء الدوارة ثم افصل مصدر التيار و/أو انزع البطارية ثم قم بإزالة المادة المحشورة. في حالة مواصلة القطع رغم انحشار قطعة الشغل فقد تفقد السيطرة على المنشار أو قد يتعرض للتلطف.

(r) بعد الانتهاء من القطع ارفع يدك عن زر التشغيل واخفض رأس المنشار لأسفل وانتظر حتى يتوقف نصل المنشار تماماً قبل إبعاد قطعة الشغل المقطوعة. من الخطورة بمكان تقريب يدك من نصل المنشار أثناء دورانه.

(s) أمسك الذراع بثبات عندما تتوقف عن القطع قبل اكتماله أو عند رفع يدك عن الزر قبل وصول رأس المنشار إلى أسفل تماماً. إذ أن رد الفعل عقب توقف المنشار قد يؤدي إلى اندفاع رأس المنشار لأسفل فجأة، ما قد يؤدي إلى احتمال التعرض لإصابة خطيرة.

إرشادات أمان وعمل إضافية

ارتد واقيات الأذن. ارتد قد بسبب التعرض للضوضاء إلى فقدان السمع.

ارتد نظارات الوقاية عند استخدام الجهاز دائماً. ينصح بارتداء قفازات الوقاية، الأحذية القوية غير المنزلقة والمنزر.

قد تكون الأتربة الناتجة عن استخدام هذه الآلة ضارة بالصحة. لا تستنشق هذه الأتربة. استخدم نظام امتصاص الأتربة وارتد قناعاً واقياً من الأتربة مناسباً. قم بإزالة الأتربة الموجودة تماماً، باستخدام المكنسة الكهربائية على سبيل المثال. عند نشر الأخشاب قم بتوصيل المنشار بمكنسة كهربائية. ارتد القفازات!

يُرجى قراءة التعليمات قبل استخدام الآلة. قم باستعراض الأداة عملياً إن أمكن.

تأكد دائماً من أن الماكينة ثابتة ومؤمنة (على سبيل المثال، مثبتة في طاولة العمل)

حافظ على نظافة الأرضية من بقايا المواد المفككة مثل، الشطايا وفضلات القطع.

لا تستخدم شفرات المنشار التالفة أو المشوهة لا تستخدم شفرات منشار لا تتوافق مع البيانات الرئيسية الموضحة في تعليمات الاستخدام هذه.

استخدم فقط الأدوات التي تفي بمتطلبات المعيار EN 847-1. لا تستخدم شفرات المنشار المصنوعة من صلب عالي السرعة.

من الضروري اختيار شفرة المنشار التي تتناسب مع المادة المراد قطعها.

يتعين أن تساوي السرعة المقترحة لقطع الملحقات على الأقل الحد الأعلى للسرعة المحددة على الآلة الكهربائية. فقد يؤدي تشغيل الملحقات بسرعة أعلى من السرعة المقترحة لها إلى كسرها أو تفتتها وتناثر شطاياها.

اعمل على نقل أو تخزين الأدوات في حاوية مناسبة؛

لا تستخدم أي شفاة غير تلك المرفقة أو المبنية في دليل التعليمات لتأمين شفرة المنشار.

لا تستخدم منشار الناسين في قطع أي مواد غير المبنية في دليل التعليمات.

استخدم المنشار فقط مع أدوات الوقاية بترتيب صحيح للحفاظ عليها في الوضع الصحيح.

لا تعمل على إزالة أي فضلات للقطع أو غيرها من أجزاء قطعة العمل من منطقة القطع أثناء تشغيل الماكينة وحينما يكون رأس المنشار ليس في وضع السكون.

لا تصل أبداً إلى منطقة الخطر للآلة عندما تكون قيد التشغيل. استخدم دائماً درع الوقاية عند تشغيل الآلة.

يجب إبلاغ المسؤولين أو الأشخاص المعنيين بالسلامة بأية أخطاء تنجم عن الماكينة، ويشمل ذلك الأخطاء المتعلقة بالوقاية أو شفرات المنشار، وذلك بمجرد اكتشاف الخطأ. لا تثبت وافي الحماية المتأرجح.

يجب دعم قطع العمل الطويلة بشكل كافٍ.

يجب دائماً تشغيل قفل المقبض عند نقل منشار التلسين.

عند القيام بالقطوعات المائلة أو المخروطية أو الزاوية المركبة، قم بتعديل الحاجز المنزلق لضمان تخليص القطع من النصل بشكل صحيح.

التكيف مع سرعة التغذية لتجنب الحرارة الزائدة لأسنان الشفرة ولتجنب إنصهار المواد البلاستيكية أثناء عملية القطع.

شروط الاستخدام المحددة

كما يمكن استخدام منشار التلسين في نشر الخشب المُصمت والخشب المضغوط والقشرة الخشبية الملمصقة والمواد المشابهة للخشب والبلاستيك.

لا يجب قطع الجذع الذي به مقطع عرضي مستدير أو غير منتظم (مثل خشب الوقد)، حيث لا يمكن تثبيته بشكل آمن أثناء القطع. عند نشر جذع رفيع من عند الحافة، يتعين استخدام سياج إضافي مناسب للدعم الثابت.

المخاطر المتبقية

حتى في حالة استخدام المنتج تبعاً للتعليمات لا يمكن استبعاد باقي المخاطر بشكل تام. في حالة الاستخدام يمكن حدوث المخاطر التالية، لذا يجب على المستخدم مراعاة ما يلي:

- لتجنب أضرار السمع، يجب قصر فترة التعرض للخطر وارتداء وافي مناسب للسمع.
- يجب على المستخدم اتخاذ إجراءات لخفض تأثير الاهتزاز والحد من فترة التعرض للخطر.
- يجب ارتداء قناع وافي للتنفس، لتجنب المخاطر الصحية، التي يمكن أن تنتج من جراء استنشاق أتربة النشارة.

البطاريات

يجب إعادة شحن البطارية غير المستخدمة لفترة قبل الاستخدام.

تقلل درجات الحرارة التي تتجاوز 50° سيليزيوس (122° فهرنهايت) من أداء البطارية. تجنب التعرض الزائد للحرارة أو أشعة الشمس (خطر التسخين)..

يجب الحفاظ على محتويات الشواحن و البطاريات نظيفة. للحصول على فترة استخدام مثالية، يجب شحن البطاريات تماماً، بعد الاستخدام.

للحصول على أطول عمر ممكن للبطارية، انزع البطارية من الشاحن بمجرد شحنها تماماً.

M18 FMS254	البيانات الفنية مشار زاوية إنتاج عدد
4569 52 01... ...000001 - 999999	
4000 min ⁻¹	أقصى سرعة دون وجود حمل
18 V	فولطية البطارية
254 x 30 mm	قطر شفرة المنشار x قطر الثقب
2 mm	سمك هيكل شفرة المنشار الحد الأقصى
2,8 mm	سمك سن شفرة المنشار الحد الأدنى
91 x 289 mm 91 x 205 mm 51 x 289 mm 51 x 205 mm	عرض القطع الحد الأقصى القطع المائل 0° / الانحدار 0° القطع المائل 45° / الانحدار 0° القطع المائل 0° / الانحدار 45° القطع المائل 45° / الانحدار 45°
20,0 kg	الوزن وفقاً لنهج EPTA رقم 01/2003 (Li-Ion 5.0 Ah)
	معلومات الضوضاء
	القيم التي تم قياسها محددة وفقاً للمعايير الأوروبية EN 62841 مستويات ضوضاء الجهاز، ترجيحاً أبشكلاً نموذجي كالتالي:
90,5 db(A)	مستوى ضغط الصوت (الارتياح في القياس = 3 ديسيبل (A))
101,5 db (A)	مستوى شدة الصوت (الارتياح في القياس = 3 ديسيبل (A))
	ارتد واقيات الأذن!



(f) لا تمد يدك خلف الحاجز لمسافة أقرب من 100 مم على أي من جانبي نصل المنشار، لإزالة نشارة الخشب أو لأي سبب آخر أثناء دوران النصل. وقد يتعدى تقدير مدى القرب من نصل المنشار الدوران وهو ما قد يعرضك لإصابة خطيرة.

(g) افحص قطعة الشغل المراد قطعها جيداً قبل القطع، فإذا كانت ملتوية أو مقوسة فقم بتثبيتها بحيث يصبح الوجه المنبجج ناحية الحاجز. واحرص دائماً على عدم وجود أي فراغ بين قطعة الشغل والحاجز والطاوله بطول مسار القطع. حيث إن قطعة الشغل الملتوية أو المقوسة قد تنثني أو تتحرك وتؤدي إلى انحسار نصل المنشار الدوران أثناء القطع. واحرص على عدم وجود أية مسامير أو أجسام غريبة في قطعة الشغل.

(h) قبل استعمال المنشار احرص على تنظيف الطاولة من أية أدوات أو نشارة خشب أو غيرها باستثناء قطعة الشغل. إذ أن قطع الخشب الصغيرة أو الأجزاء المنحلة وغيرها من الأشياء التي تلامس نصل المنشار أثناء دورانه قد تذف بسرعة كبيرة.

(i) اكتفي بقطع قطعة شغل واحدة فقط في كل مرة. إذ لا يمكن تثبيت أو احتواء عدة قطع معاً بإحكام كافٍ وقد تؤدي إلى التواء نصل المنشار أو انخلاقه.

(j) قبل البدء في استخدام منشار التلسين، احرص على وضع المنشار على سطح مستو وثابت، إذ أن السطح المستوي والثابت سيحد من خطر اهتزاز المنشار.

(k) خطط للعمل قبل تنفيذه. وفي كل مرة تقوم فيها بتغيير زاوية أو ميل التلسين احرص على ضبط الحاجز المتحرك في الوضع الصحيح المناسب لتثبيت قطعة الشغل وبعيد لا يتلامس مع نصل المنشار أو الوافي. قبل تشغيل المنشار أو وضع قطعة الشغل على الطاولة قم بمحاكاة مسار القطع بالكامل لكي تتأكد من عدم وجود أي تداخل بين مسار النصل والحاجز أو احتمال تعرض الحاجز للقطع.

(l) إذا كانت قطعة الشغل أطول أو أعرض من الطاولة فاحرص على سند قطعة الشغل بما يكفي، باستخدام تطويلة للطاوله أو حضان المنشار. علمًا بأن قطعة الشغل الأطول أو الأعرض من سطح الطاولة قد تتعرض للميلان إذا لم تكن مثبتة بإحكام. وعندما تميل قطعة الشغل فقد تؤدي إلى رفع الوافي أو قد تذف بفعل النصل الدوران.

⚠ تحذير اقرأ جميع تعليمات السلامة والإرشادات والشروح والبيانات المرفقة مع الجهاز. قد يؤدي الفشل في مراعاة التحذيرات والتعليمات إلى التعرض للإصابة بصدمة كهربية أو الحريق و/أو إصابة خطيرة.

احتفظ بجميع التنبيهات والتعليمات للرجوع إليها مستقبلاً.

⚠ تعليمات السلامة المتعلقة بمناشير التلسين

(a) تستخدم مناشير التلسين لقطع الخشب أو المنتجات الخشبية ولا يمكن استخدام أسطوانات القطع الكاشطة الخاصة بها لقطع الخامات الحديدية مثل القضبان والأسياخ والبراغي وغيرها. ففي هذه الحالة ستؤدي البرادة الناتجة عن القطع إلى انحسار الأجزاء المتحركة مثل الوافي التحتي؛ كما ستؤدي الشرارات المتولدة إلى إحراق الوافي التحتي وصفحة القطع وغيرها من الأجزاء البلاستيكية.

(b) استخدم كلاً (فامطة) لتثبيت قطعة الشغل ما أمكن ذلك وفي حالة تثبيت الشغلة بيدك أثناء قطعها يجب عليك إبعاد يدك بمسافة 100 مم على الأقل من جانبي نصل المنشار. ولا تستخدم هذا المنشار لقطع أشياء صغيرة يتعدى عليك تثبيتها بالكلايات أو بيديك بإحكام. إذ عندما تكون يدك قريبة جداً من نصل المنشار سيزيد خطر تعرضك للإصابة بسبب ملامسة النصل.

(c) يجب تثبيت قطعة الشغل أو الإمساك بها من الحاجز أو على الطاولة. ولا تدفع بقطعة الشغل باتجاه النصل أو تقطع "بيد حرة" بأي حال من الأحوال. فقطعة الشغل غير المثبتة أو المتحركة يمكن أن تذف بسرعة كبيرة، مما يعرضك للإصابة.

(d) ادفع المنشار داخل قطعة الشغل لكن احرص على ألا تسحب للخلف من خلالها. ولتعمل قطع ارفع رأس المنشار واسحبه حتى يصير فوق قطعة الشغل دون قطع ثم شغل المحرك وحرك رأس المنشار لأسفل واضغطه داخل قطعة الشغل. حيث أنك إذا قطعت بسحب المنشار للخلف خلال قطعة الشغل فمن المحتمل أن يقفز نصل المنشار فوق قطعة الشغل ويتسبب في اندفاع مجموعة النصل بعنف باتجاه المشغل.

(e) تجنب وضع يدك متقاطعتين فوق مسار القطع المحدد سلفاً سواء أمام المنشار أو خلفه. إذ أن من الخطورة بمكان تثبيت قطعة الشغل في مكانها "بتشبيك اليدين"، أي تثبيتها على يمين نصل المنشار باستخدام اليد اليسرى أو العكس.

Copyright 2016

Techtronic Industries GmbH
Max-Eyth-Straße 10
71364 Winnenden
Germany

+49 (0) 7195-12-0



EAC

(08.16)

4931 4252 30